



US00D709839S

(12) **United States Design Patent**
Sparks et al.

(10) **Patent No.:** **US D709,839 S**
(45) **Date of Patent:** **** Jul. 29, 2014**

- (54) **CONTROLLER MODULE**
- (71) Applicant: **Microsoft Corporation**, Redmond, WA (US)
- (72) Inventors: **Bryan A. Sparks**, Sammamish, WA (US); **Monika Wolf**, Redmond, WA (US); **Eric Joseph Wahl**, Kirkland, WA (US); **Aditha May Adams**, Redmond, WA (US); **Quintin R. Morris**, Issaquah, WA (US)
- (73) Assignee: **Microsoft Corporation**, Redmond, WA (US)
- (**) Term: **14 Years**
- (21) Appl. No.: **29/464,516**
- (22) Filed: **Aug. 16, 2013**
- (51) **LOC (10) Cl.** **13-03**
- (52) **U.S. Cl.**
USPC **D13/177; D14/454**
- (58) **Field of Classification Search**
USPC D13/162, 164, 171, 173, 174, 177; D14/217, 299, 247, 390, 391, 392, 388, D14/432, 433, 454, 455; D21/333; 200/5 R, 200/5 A, 5 E, 302.2, 520, 530, 293, 296, 200/314, 329, 341; 273/148 B; 307/139, 307/157; 345/156, 169, 184; 710/73
See application file for complete search history.

- (56) **References Cited**
U.S. PATENT DOCUMENTS
- D186,944 S * 12/1959 Everett D13/174
- D301,873 S * 6/1989 Gutman D13/171
- 5,667,220 A * 9/1997 Cheng 273/148 B
- D389,488 S * 1/1998 Williams et al. D14/247
- 5,786,807 A * 7/1998 Couch et al. 345/161
- 6,422,944 B1 * 7/2002 Naghi 463/47
- D463,381 S * 9/2002 Westermann D13/167
- D483,769 S 12/2003 Stewart et al.

- D483,770 S 12/2003 Lum et al.
- D484,887 S 1/2004 Stewart et al.
- D524,249 S * 7/2006 Chen D13/158
- D554,077 S * 10/2007 Laurent et al. D13/164
- D556,268 S * 11/2007 Luciano et al. D21/385
- D567,240 S * 4/2008 Griffin D14/392
- D570,356 S 6/2008 Ikeda et al.
- D582,422 S 12/2008 Ikeda et al.
- D582,423 S 12/2008 Ikeda et al.
- D585,071 S 1/2009 Ikeda et al.
- D620,014 S * 7/2010 Leung et al. D14/455
- D626,093 S * 10/2010 Bates D13/174
- D635,978 S * 4/2011 Chen D14/434
- 8,137,192 B2 * 3/2012 Thomas 463/31
- D694,715 S * 12/2013 Fichte et al. D13/162
- 2003/0100363 A1 * 5/2003 Ali 463/30
- 2006/0250371 A1 * 11/2006 Martinez et al. 345/168
- 2010/0261513 A1 * 10/2010 Izen et al. 463/7
- 2011/0108403 A1 * 5/2011 Kukita 200/341
- 2011/0124387 A1 * 5/2011 Sauerbrei et al. 463/7
- 2013/0313092 A1 * 11/2013 Inoue 200/341

* cited by examiner

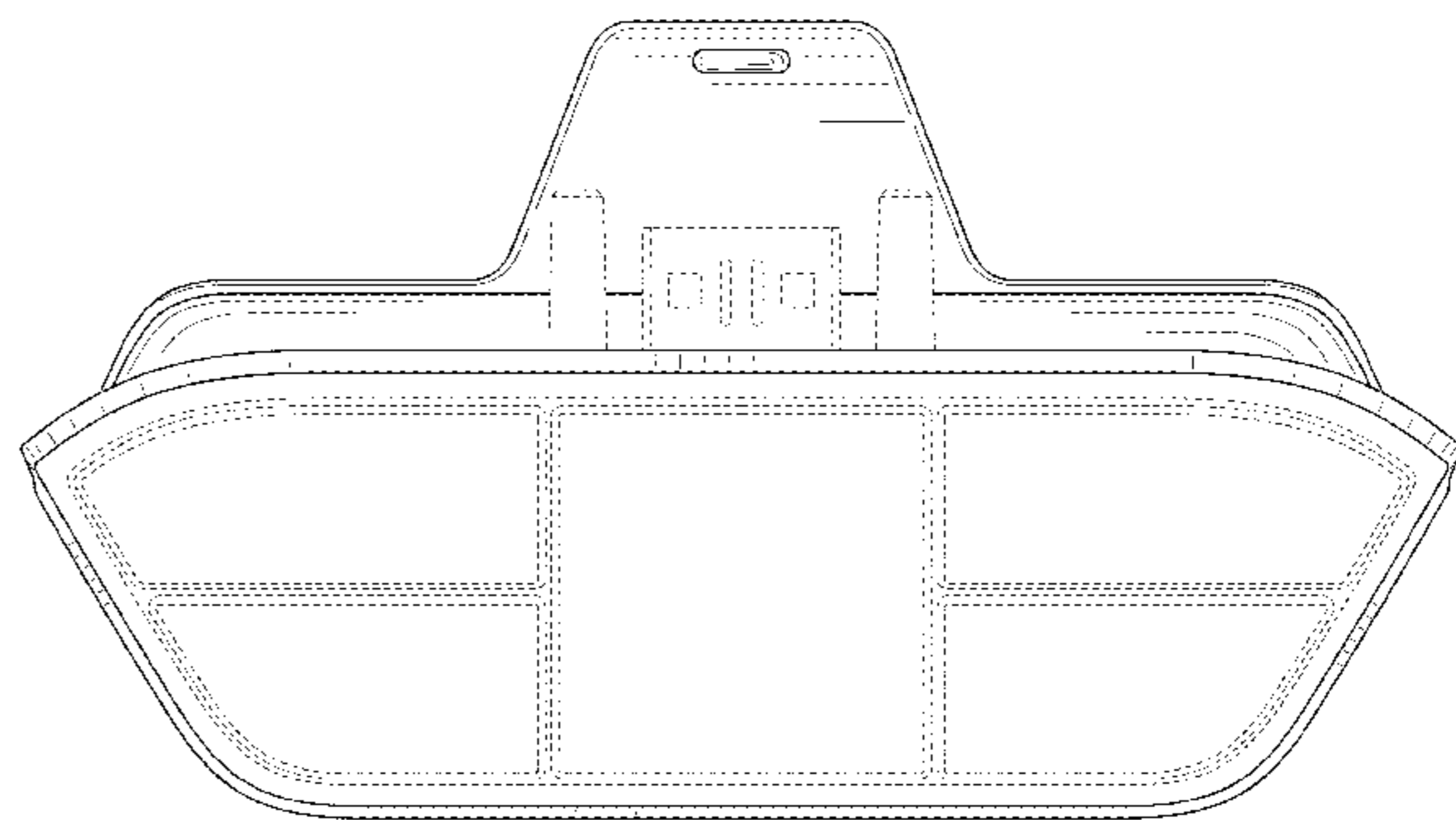
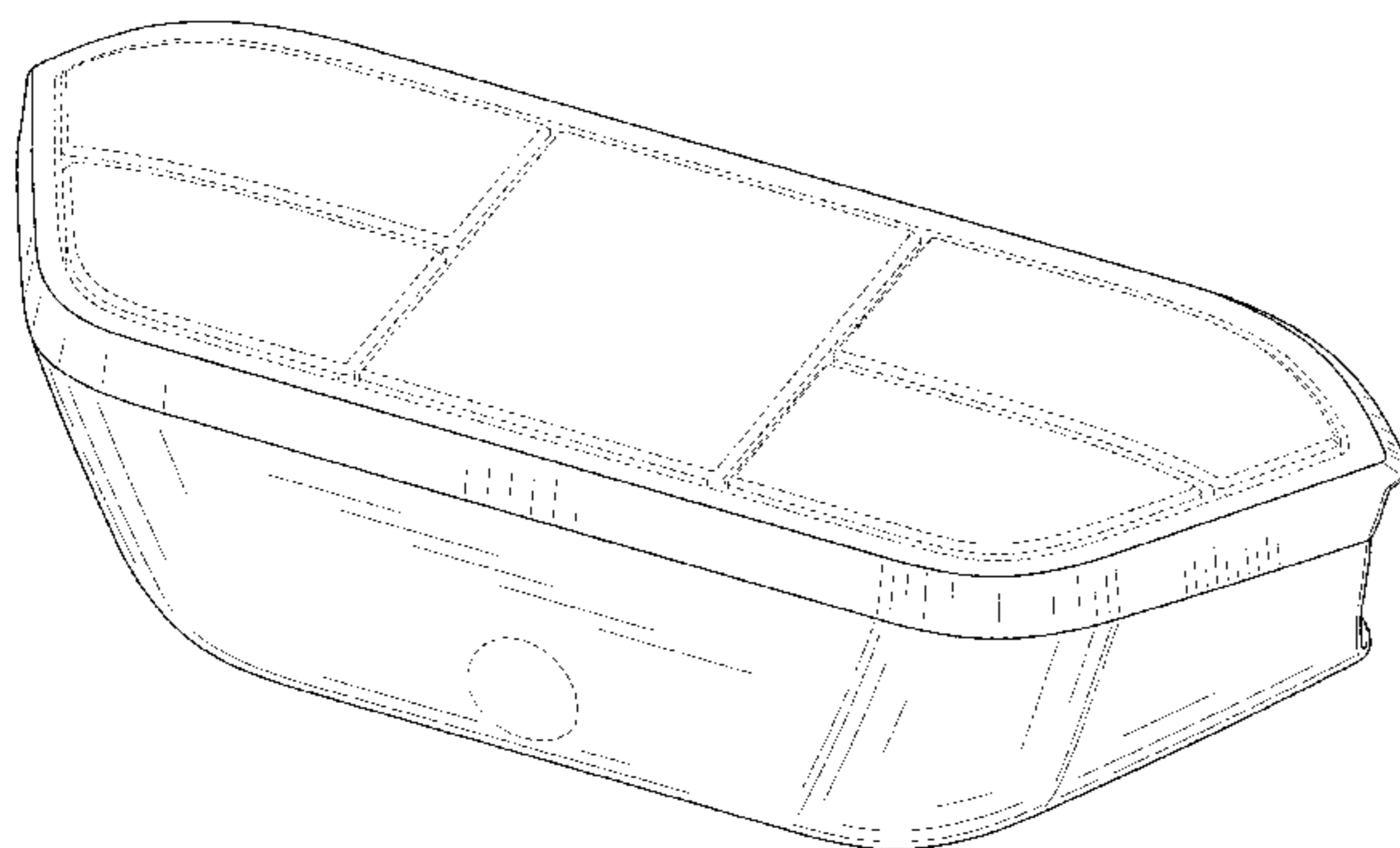
Primary Examiner — Selina Sikder
(74) *Attorney, Agent, or Firm* — Banner & Witcoff, Ltd.

(57) **CLAIM**
The ornamental design for a controller module, as shown and described.

DESCRIPTION

FIG. 1 is a front perspective view of a controller module showing our new design;
FIG. 2 is a front view thereof;
FIG. 3 is a rear view thereof;
FIG. 4 is a right side view thereof;
FIG. 5 is a left side view thereof;
FIG. 6 is a top view thereof; and,
FIG. 7 is a bottom view thereof.
The broken line showing of the controller module is for environmental purposes only and forms no part of the claimed design.

1 Claim, 6 Drawing Sheets



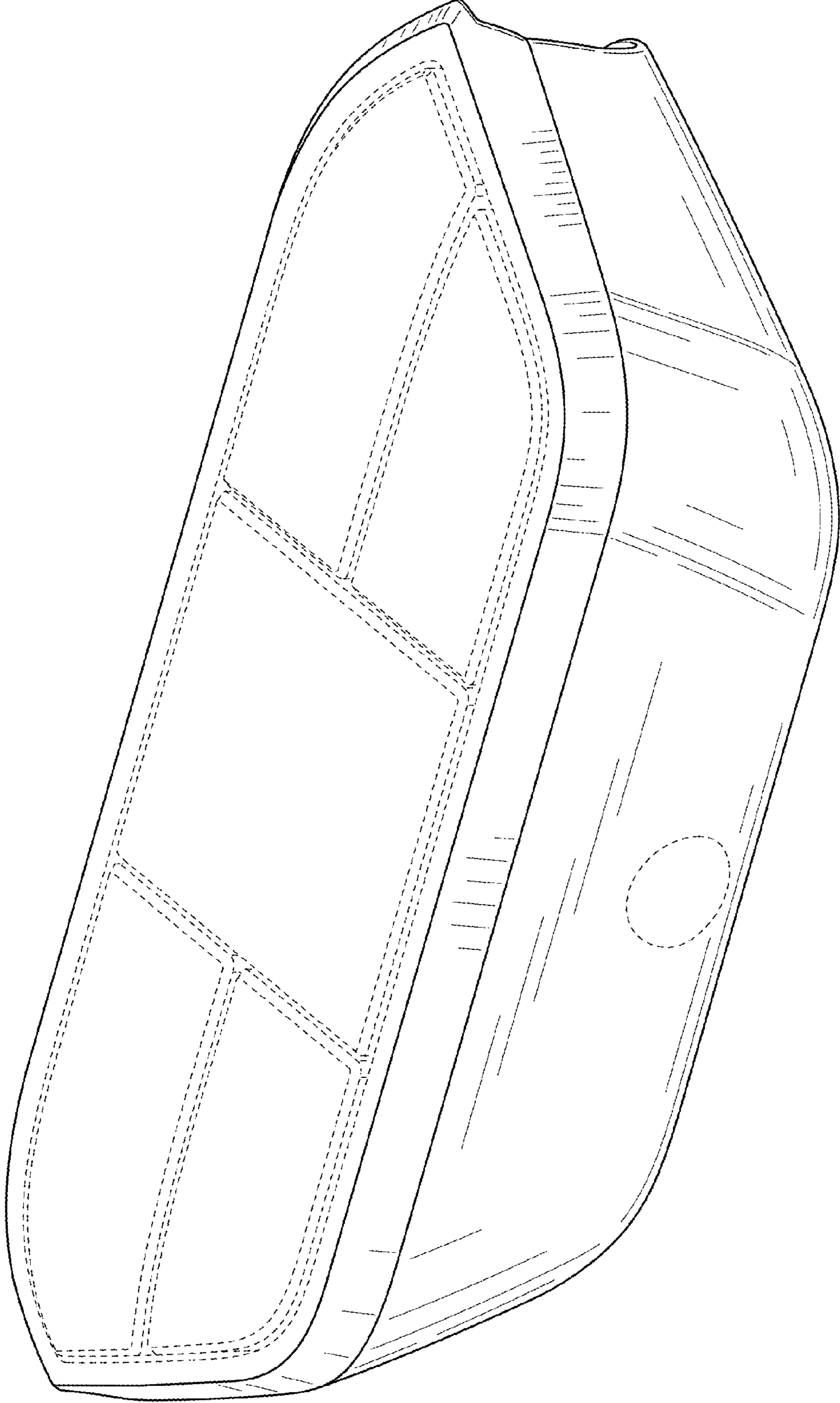


FIG. 1

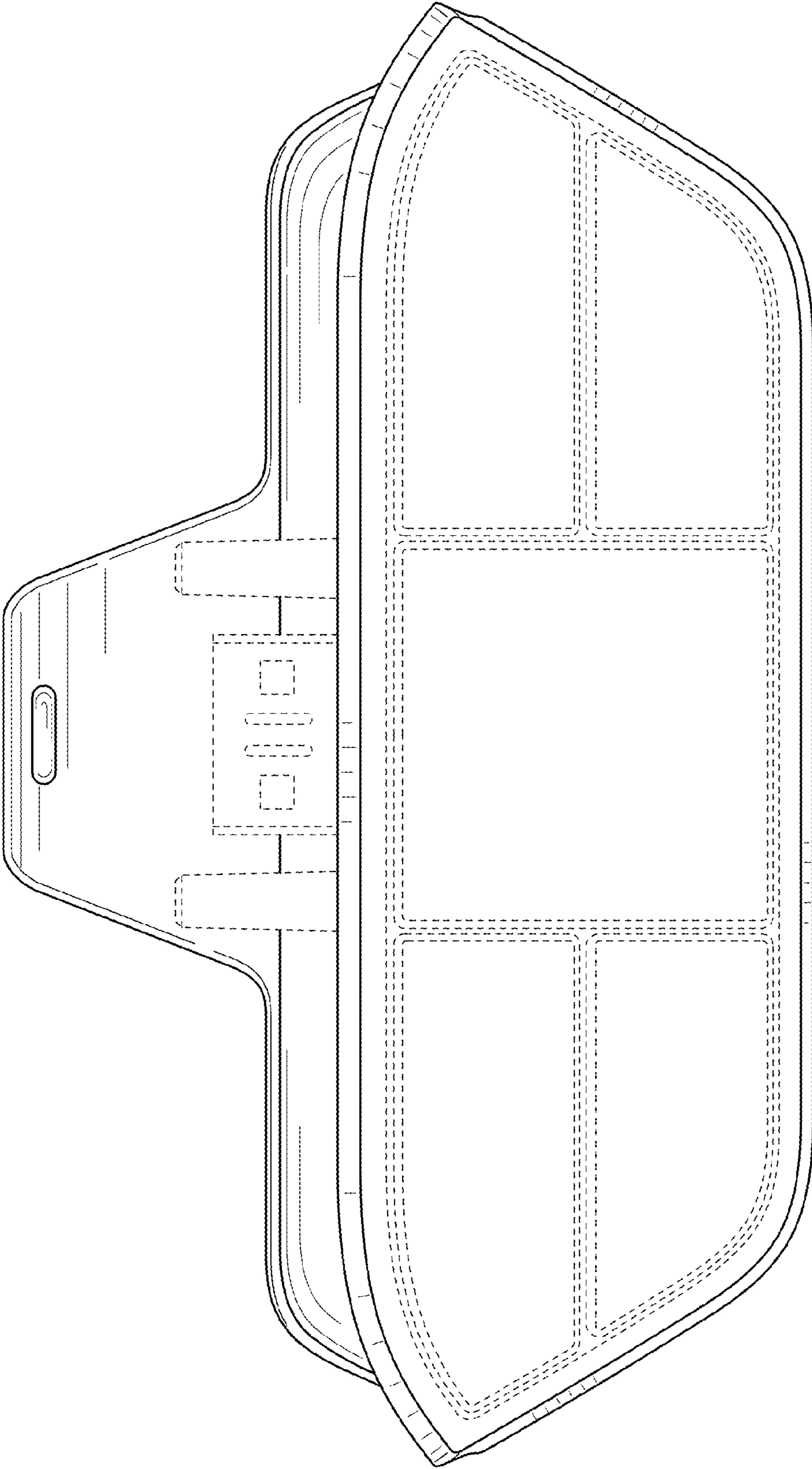


FIG. 2

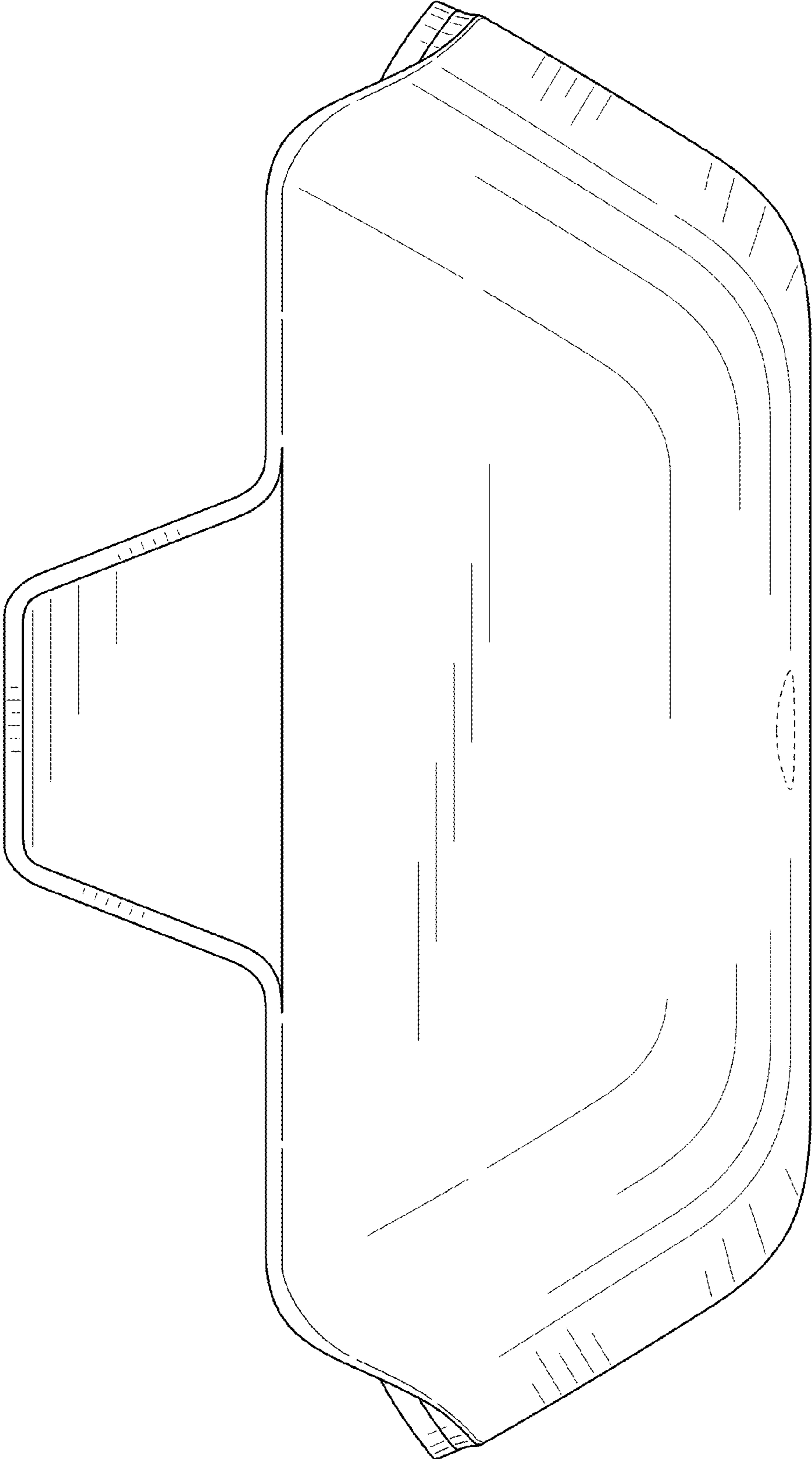


FIG. 3

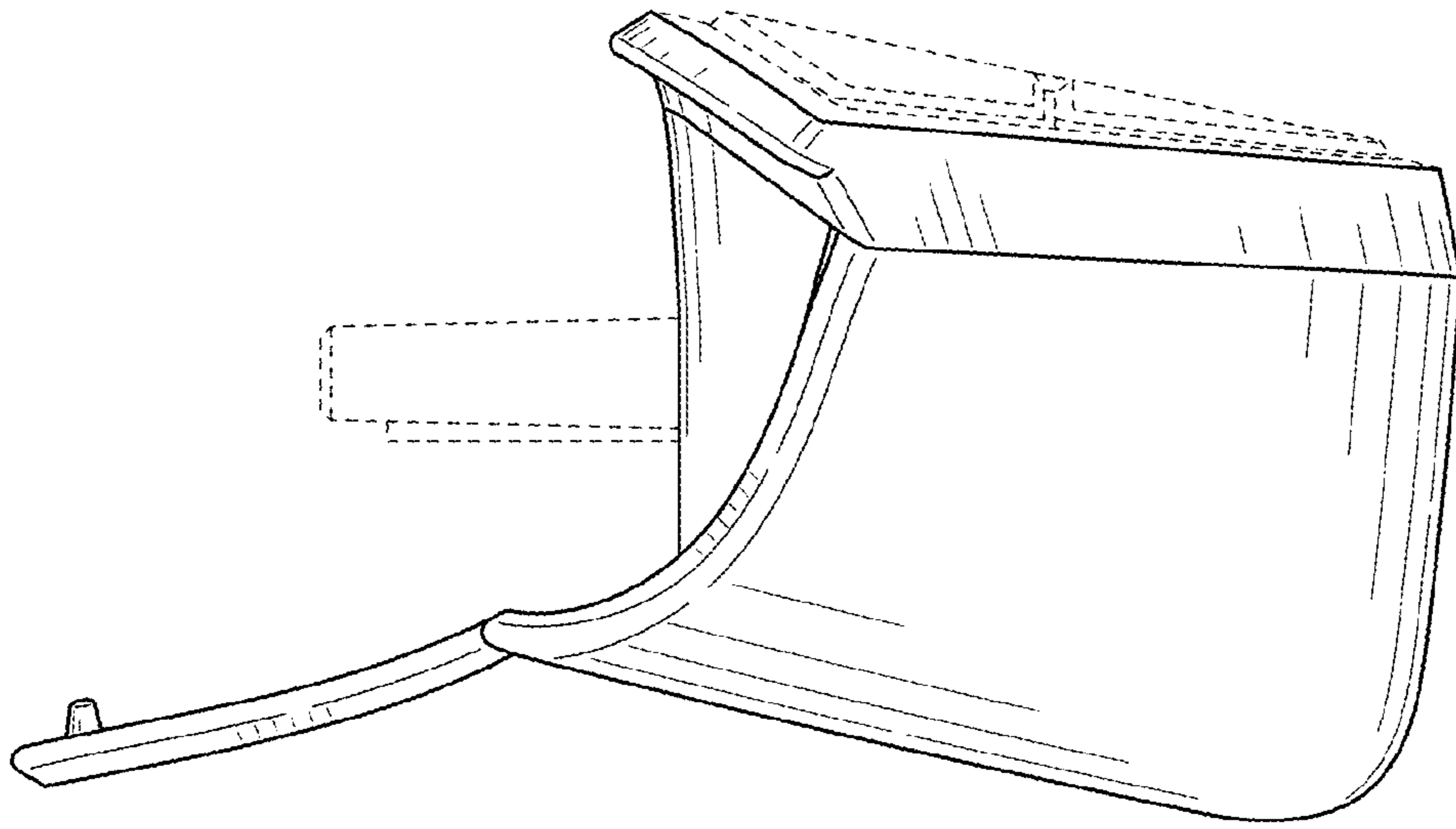


FIG. 5

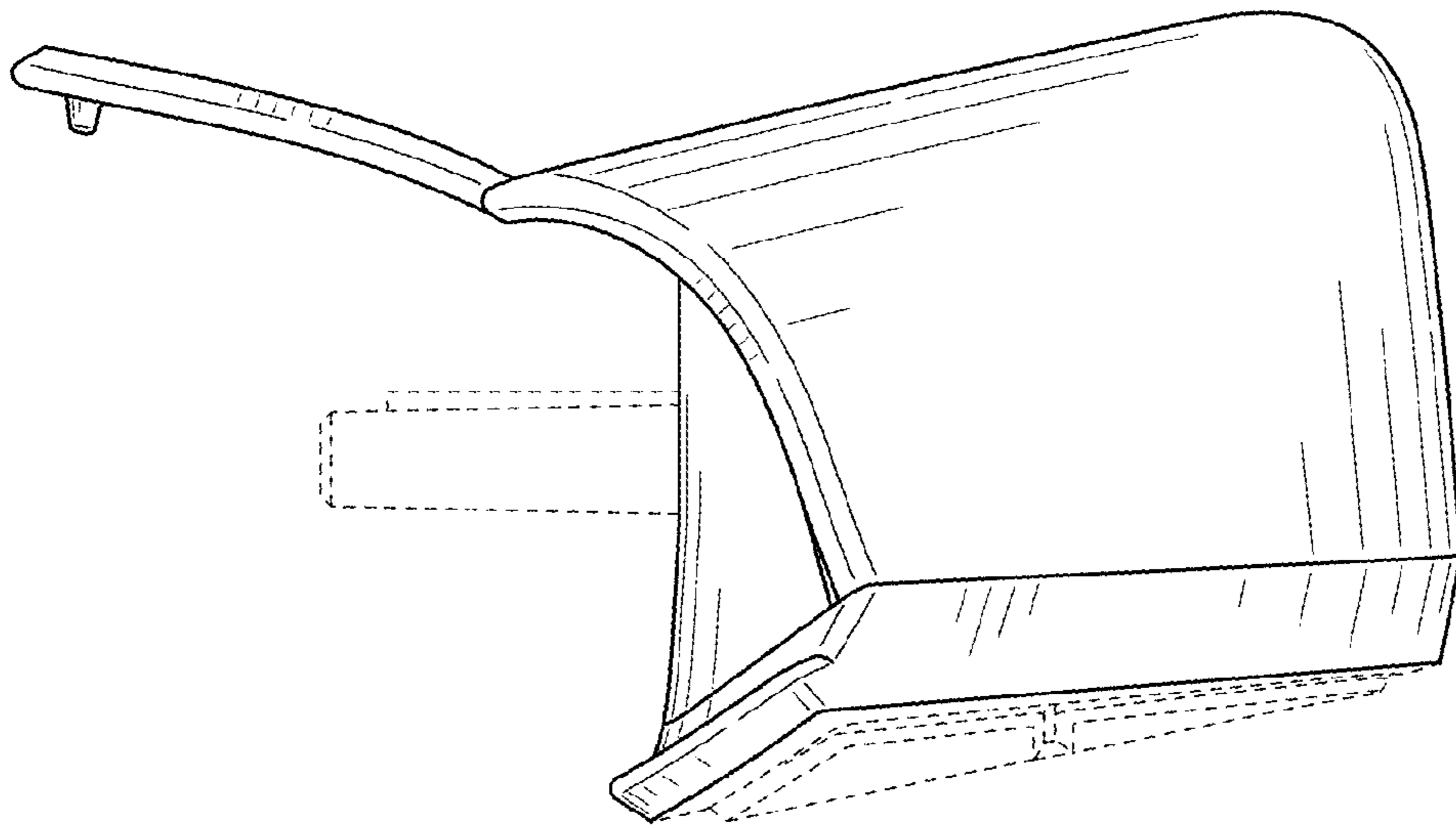


FIG. 4

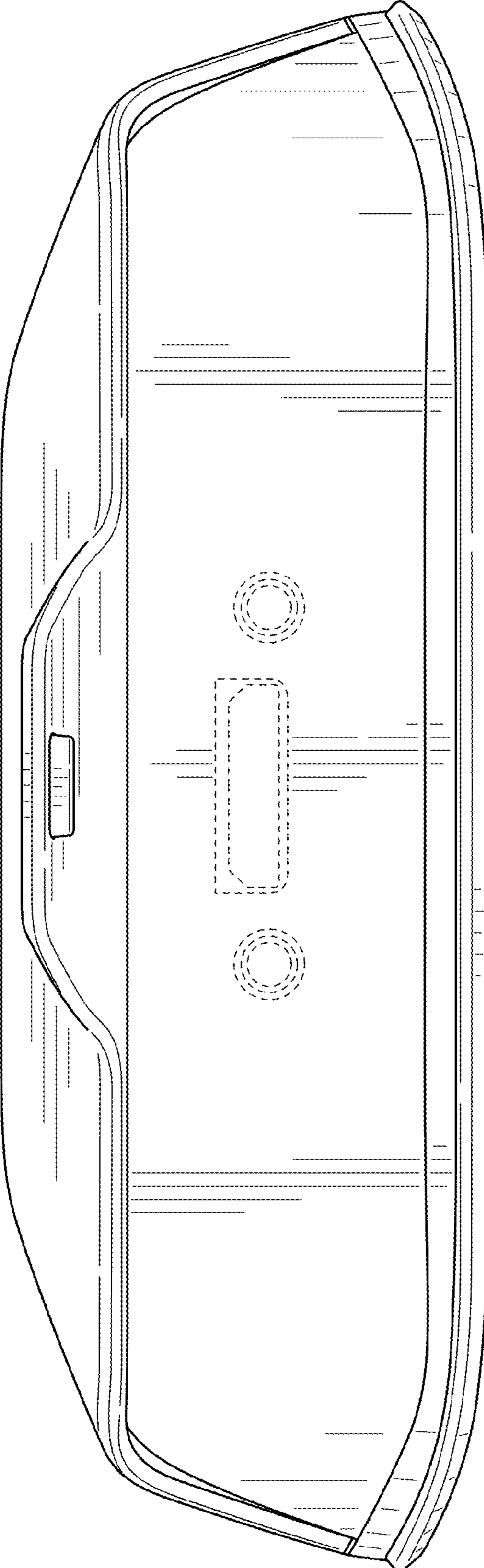


FIG. 6

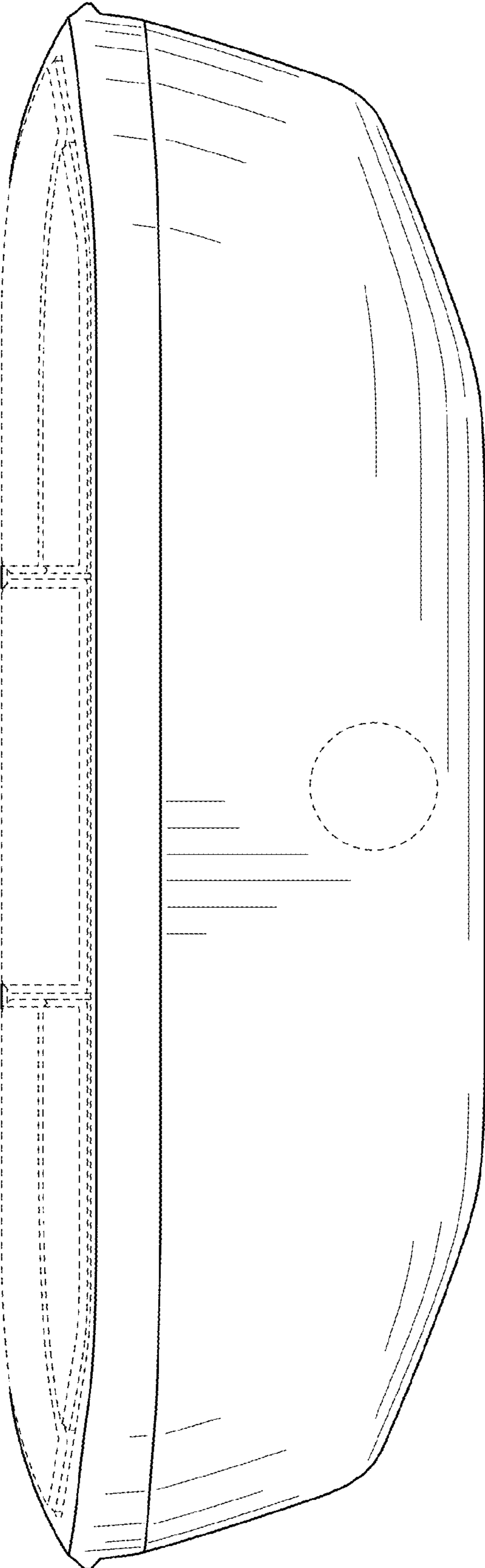


FIG. 7