



US00D709837S

(12) **United States Design Patent**
Charleux

(10) **Patent No.:** **US D709,837 S**

(45) **Date of Patent:** **** Jul. 29, 2014**

(54) **REMOTE CONTROL**

(71) Applicant: **Somfy SAS**, Cluses (FR)

(72) Inventor: **Olivier Charleux**, Thonon-les-Bains (FR)

(73) Assignee: **Somfy SAS**, Cluses (FR)

(**) Term: **14 Years**

(21) Appl. No.: **29/458,008**

(22) Filed: **Jun. 14, 2013**

(30) **Foreign Application Priority Data**

Dec. 14, 2012 (WO) DM/080010

(51) **LOC (10) Cl.** **14-03**

(52) **U.S. Cl.**
USPC **D13/168**

(58) **Field of Classification Search**
USPC D13/162, 164, 168; D14/218; 160/310;
340/4.3, 4.42, 12.22, 12.23, 12.24,
340/12.29, 12.3, 12.55, 13.2, 13.21, 13.24;
341/176; 318/16, 466; 700/17
See application file for complete search history.

(56) **References Cited**

U.S. PATENT DOCUMENTS

6,049,293 A * 4/2000 Koot et al. 340/12.29
6,992,612 B2 * 1/2006 Pessina et al. 341/176
D538,756 S * 3/2007 Mayo et al. D13/168
7,315,146 B2 * 1/2008 Bejean 318/468
D569,813 S * 5/2008 Charleux et al. D13/168
7,723,939 B2 * 5/2010 Carmen, Jr. 318/466
7,919,939 B2 * 4/2011 Mosbrucker 318/16

7,982,422 B2 * 7/2011 Meewis et al. 318/466
D666,561 S * 9/2012 Sun et al. D13/168
D688,214 S * 8/2013 Ducret et al. D13/168

* cited by examiner

Primary Examiner — Selina Sikder

(74) *Attorney, Agent, or Firm* — Frommer Lawrence & Haus LLP; Ronald R. Santucci

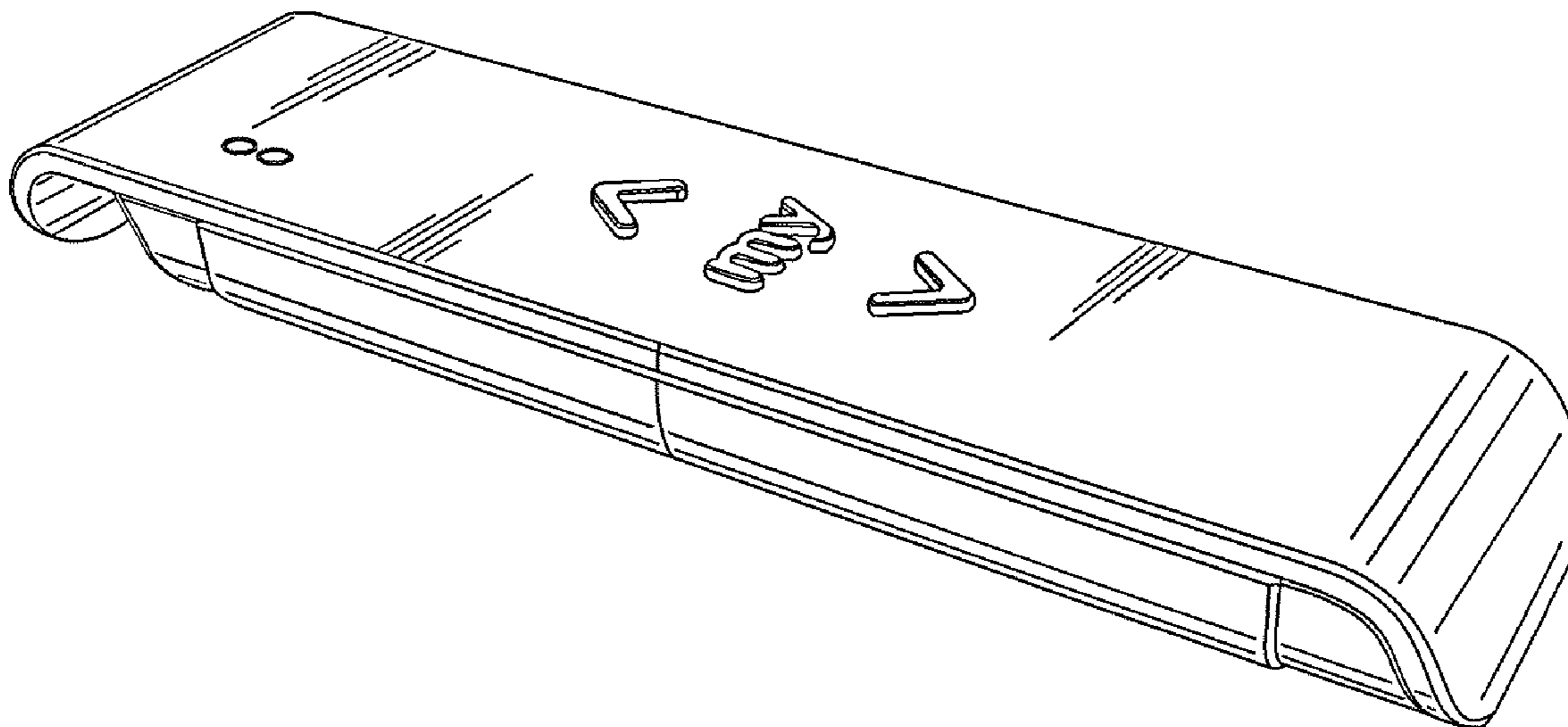
(57) **CLAIM**

The ornamental design for a remote control, as shown and described.

DESCRIPTION

FIG. 1 is a perspective view of a first embodiment of a remote control according to my invention;
FIG. 2 is a top view of the first embodiment thereof;
FIG. 3 is a front view of the first embodiment thereof;
FIG. 4 is a rear view of the first embodiment thereof;
FIG. 5 is a left side view of the first embodiment thereof;
FIG. 6 is a right side view of the first embodiment thereof;
FIG. 7 is a bottom view of the first embodiment thereof;
FIG. 8 is a perspective view of a second embodiment of a remote control according to my invention;
FIG. 9 is a top view of the second embodiment thereof;
FIG. 10 is a front view of the second embodiment thereof;
FIG. 11 is a rear view of the second embodiment thereof;
FIG. 12 is a left side view of the second embodiment thereof;
FIG. 13 is a right side view of the second embodiment thereof;
and,
FIG. 14 is a bottom view of the second embodiment thereof.
The broken lines showing portions of the remote control in FIGS. 7 and 14 are for illustrative purposes only and forms no part of the claimed design.

1 Claim, 8 Drawing Sheets



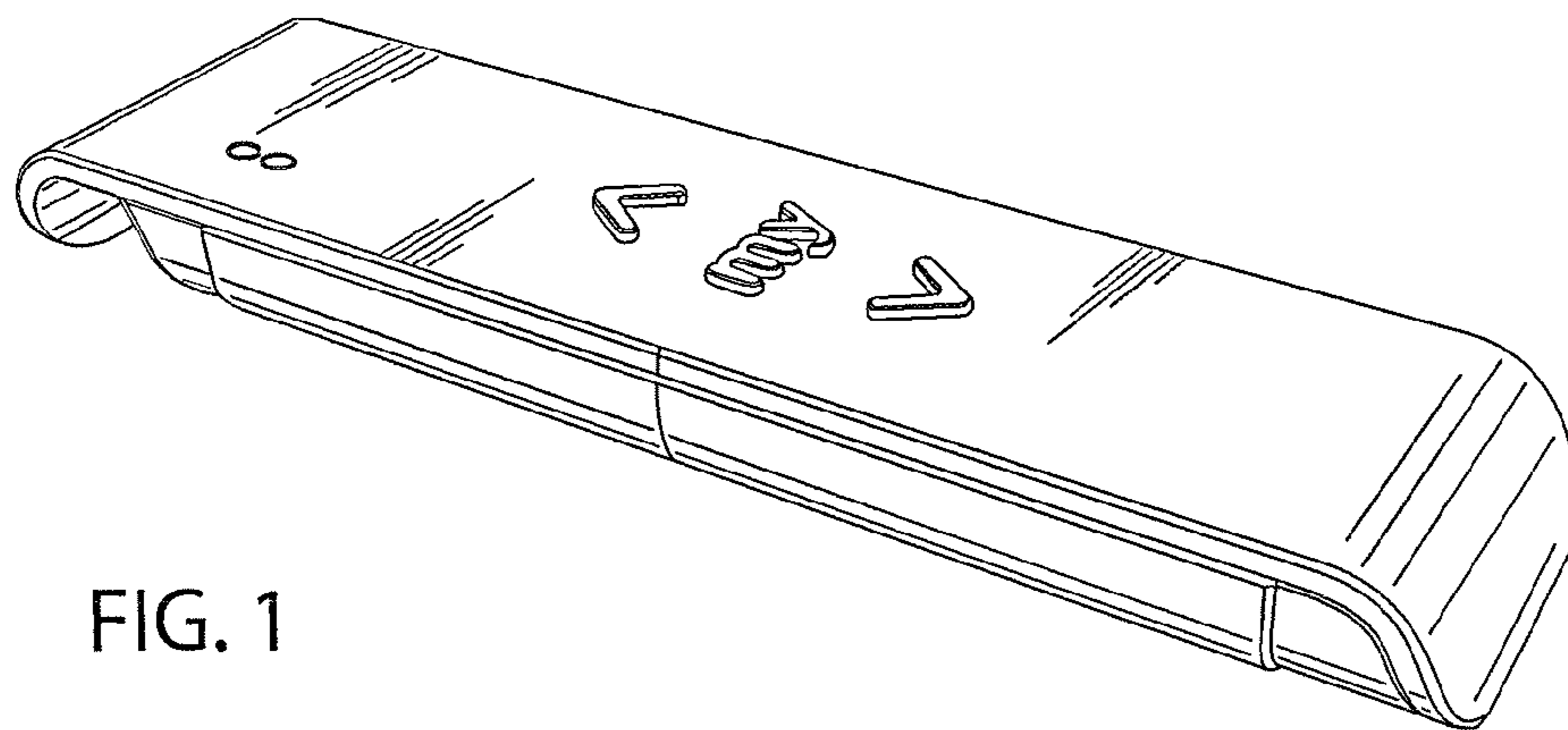


FIG. 1

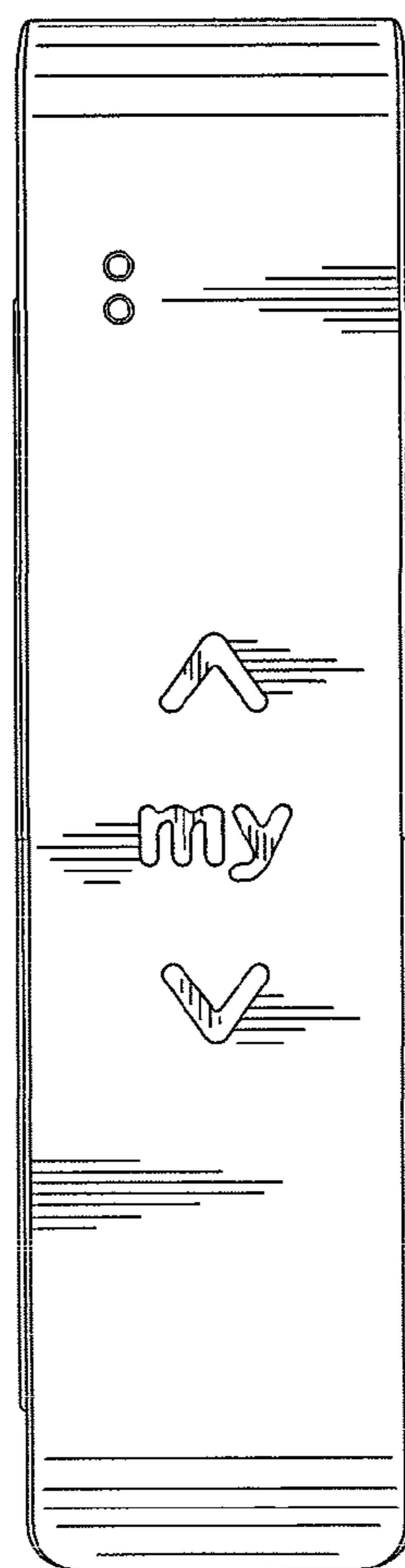


FIG. 2

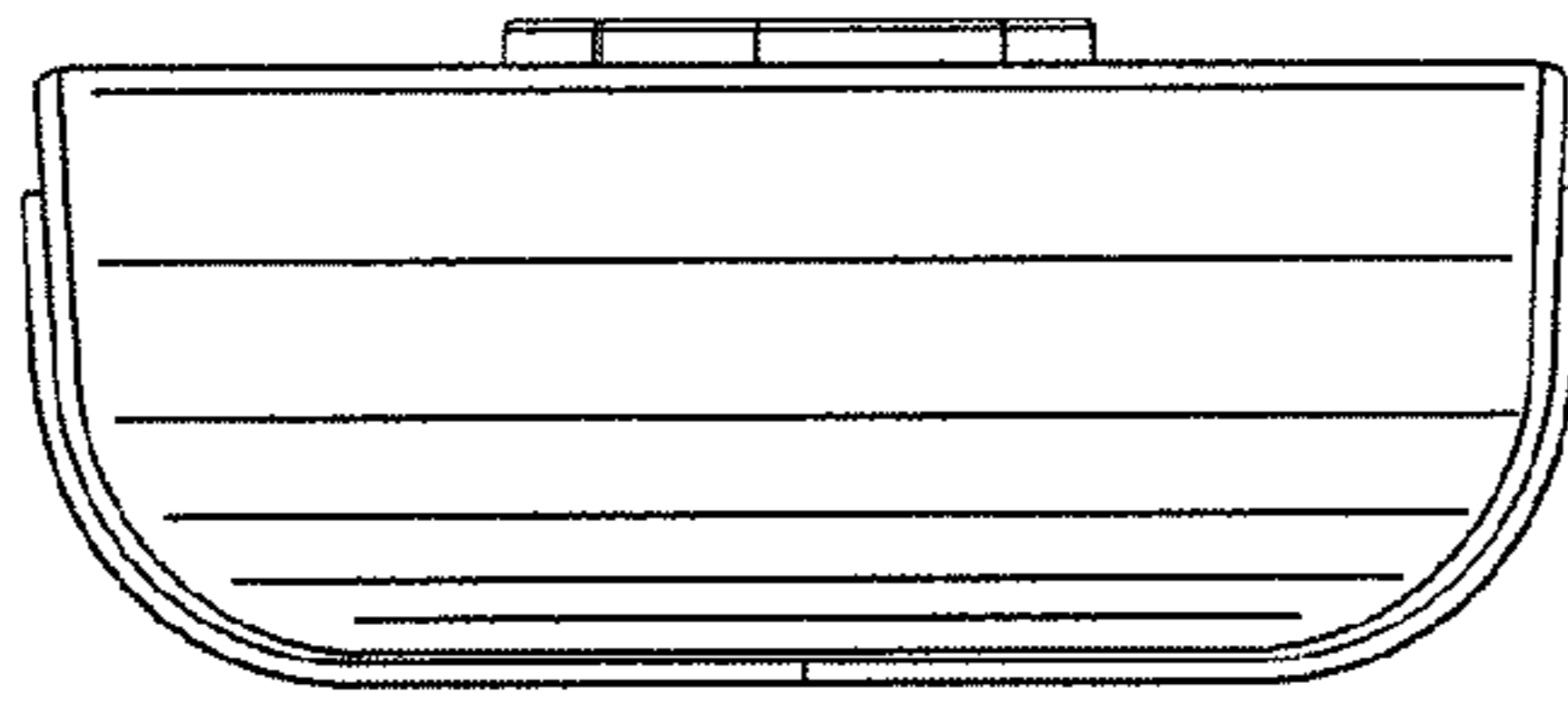


FIG. 3

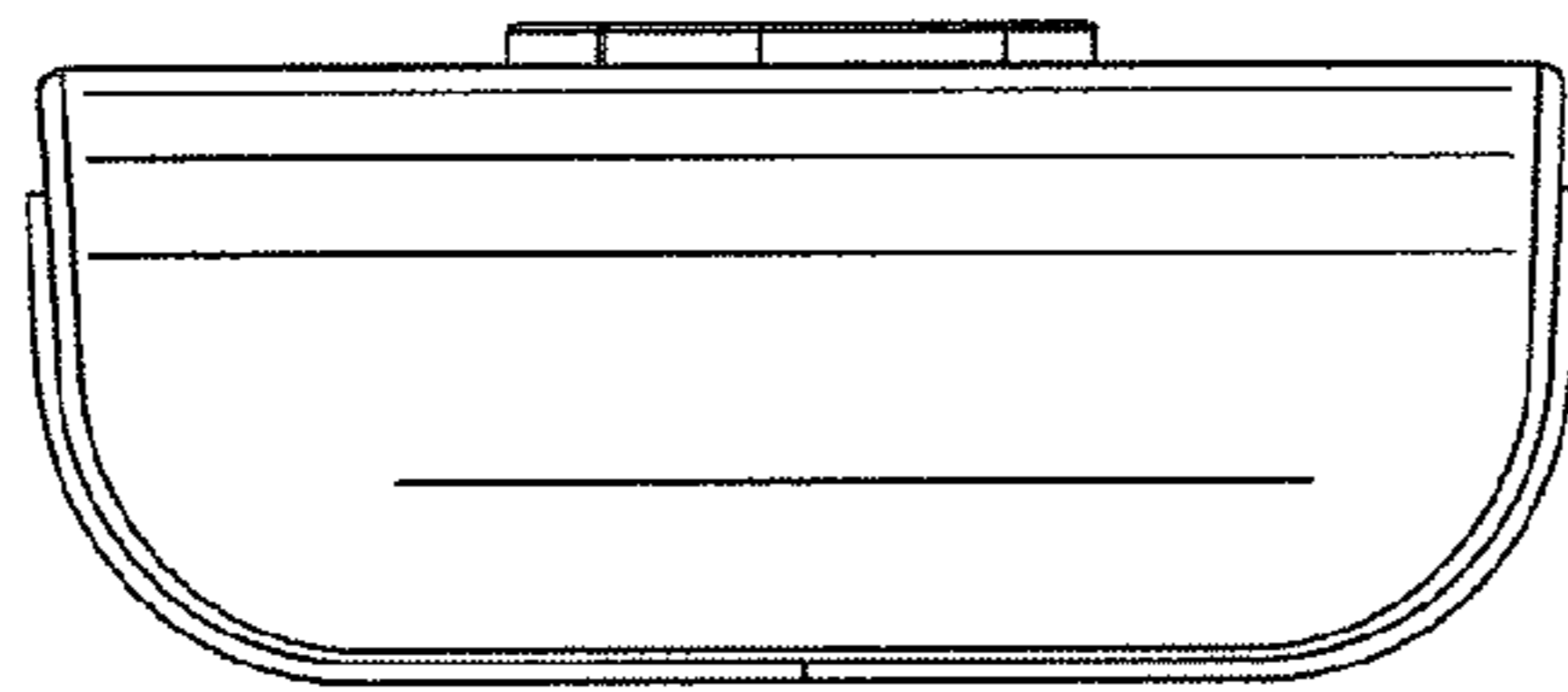


FIG. 4

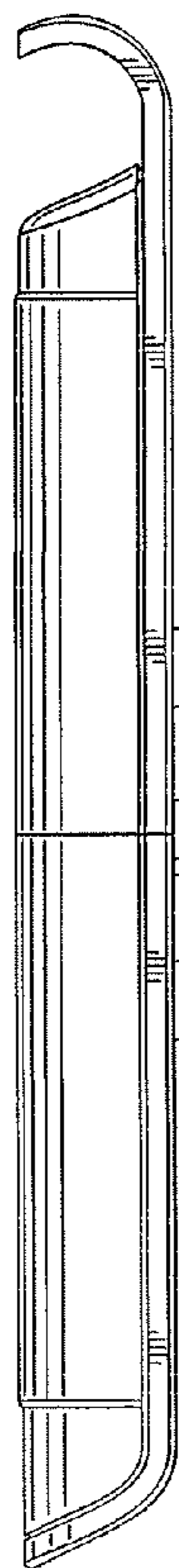


FIG. 5



FIG. 6

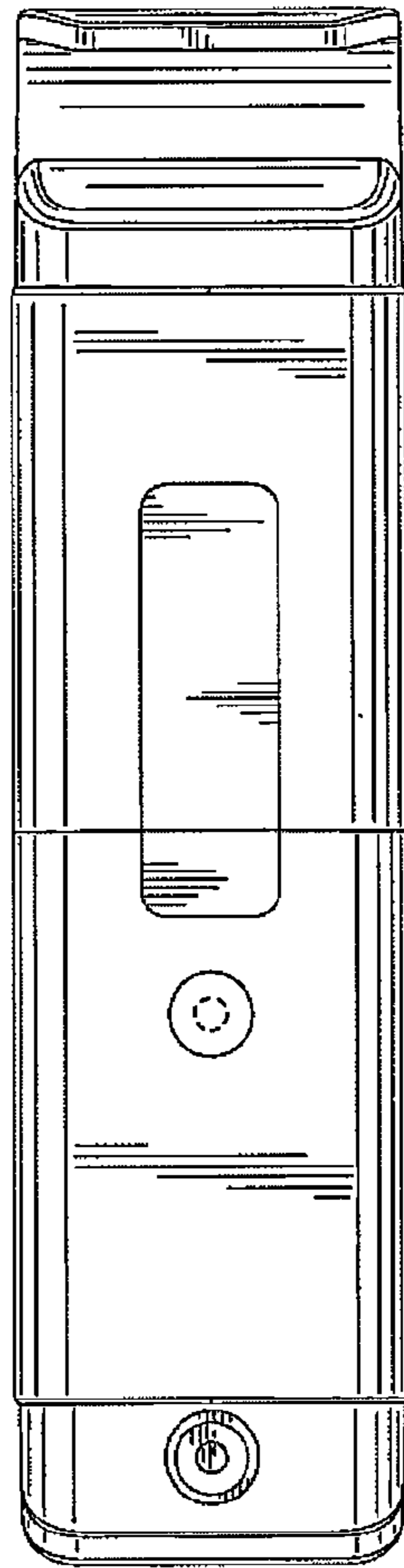


FIG. 7

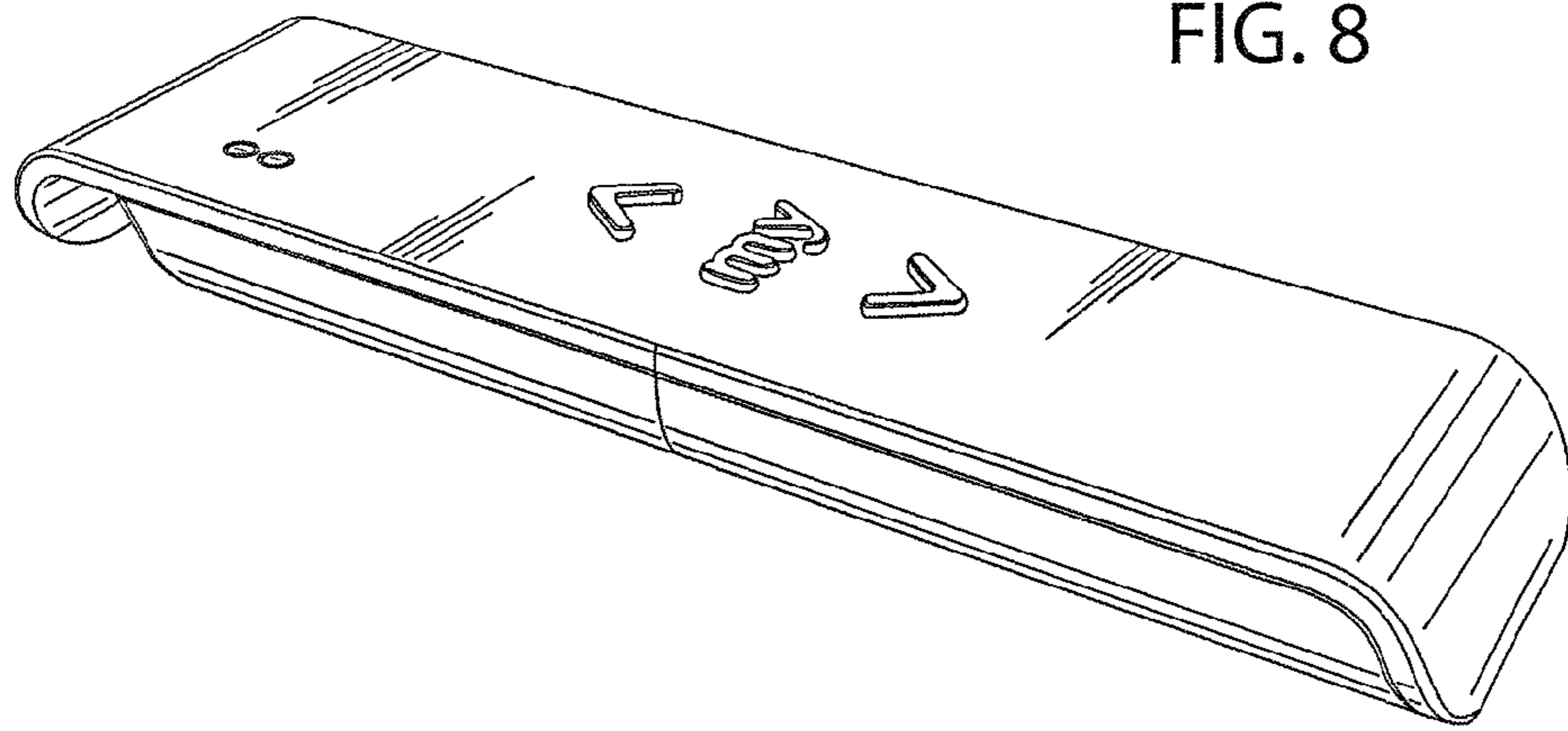


FIG. 8

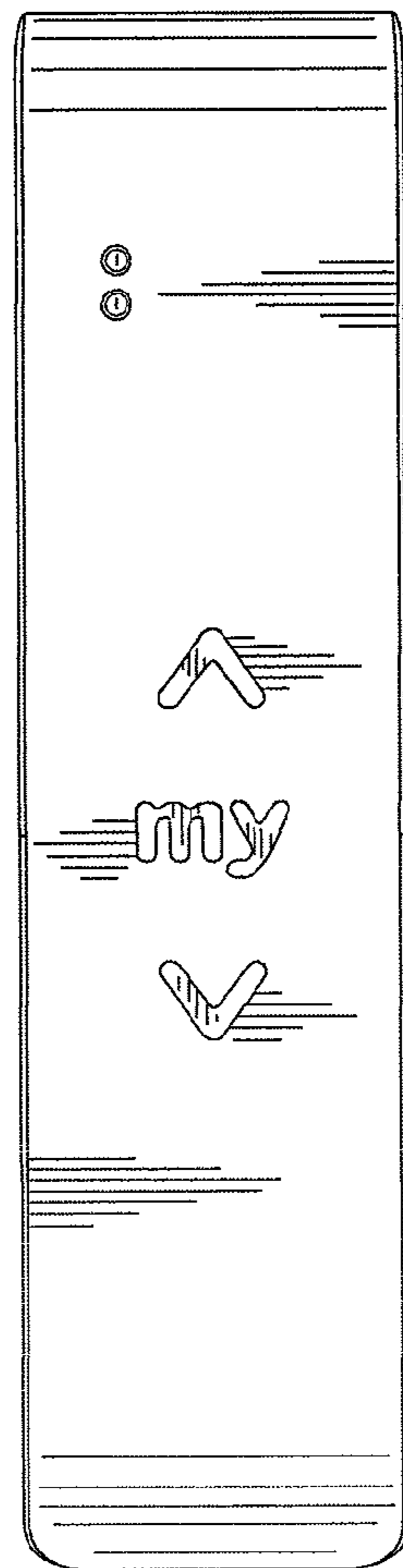


FIG. 9

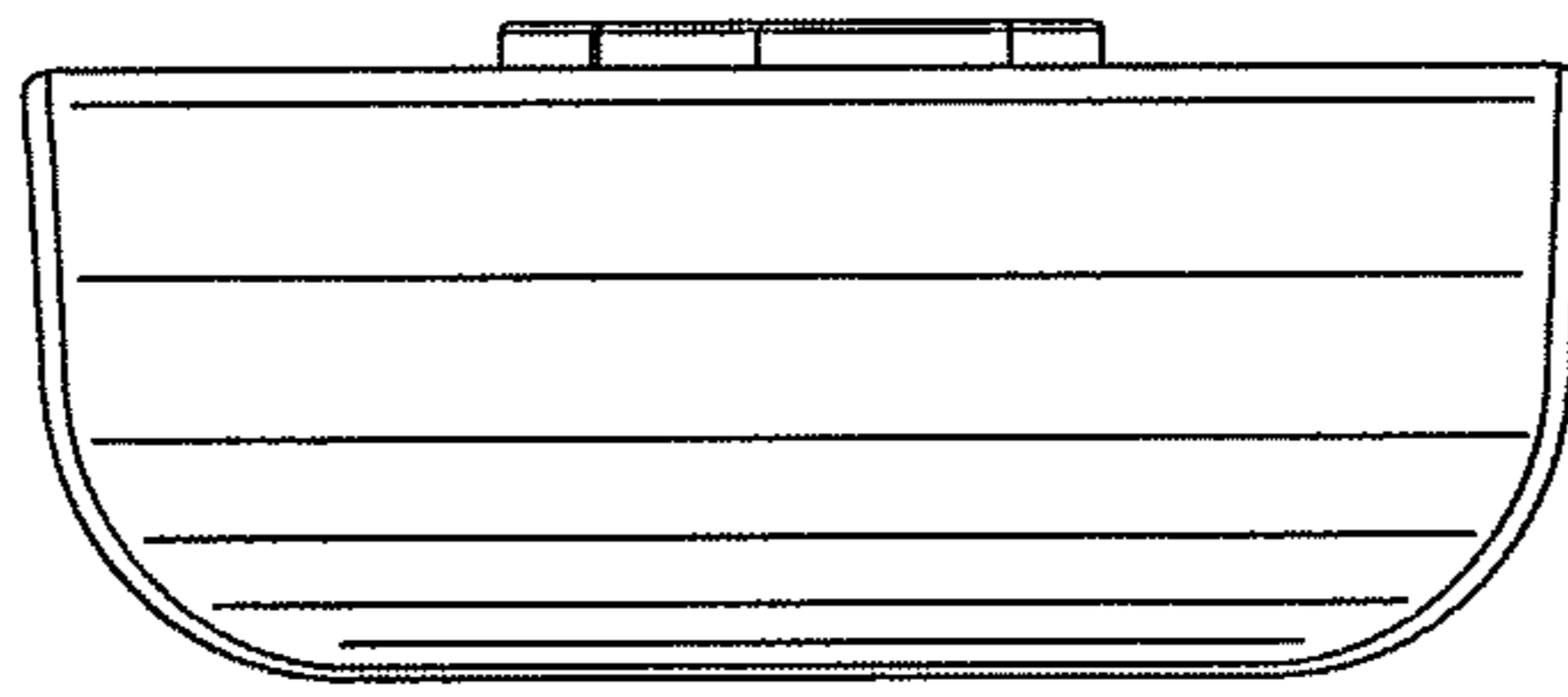


FIG. 10

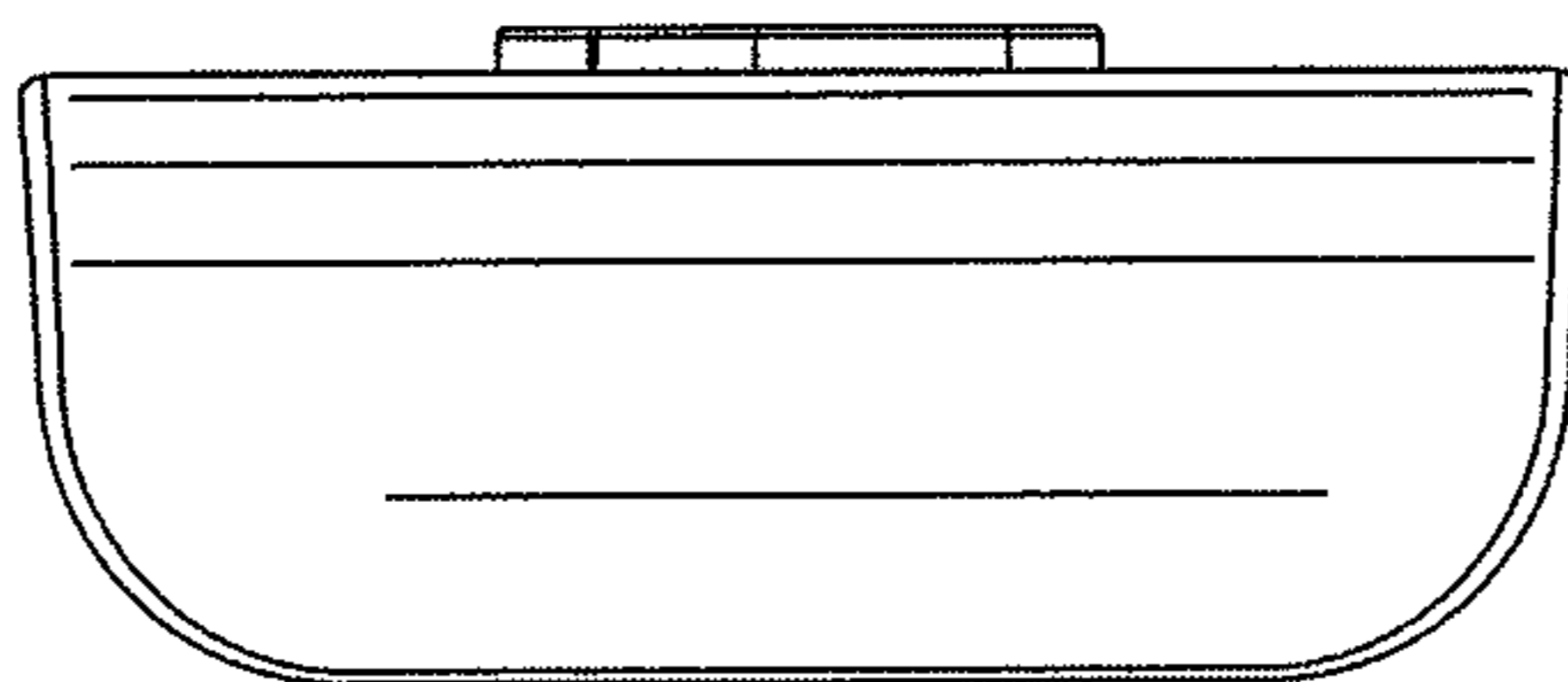


FIG. 11

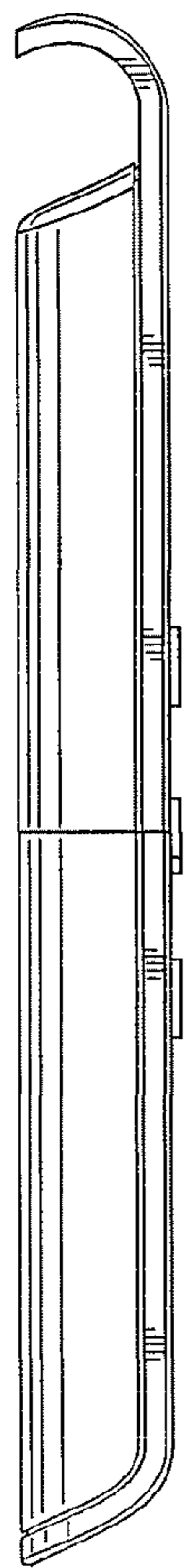


FIG. 12

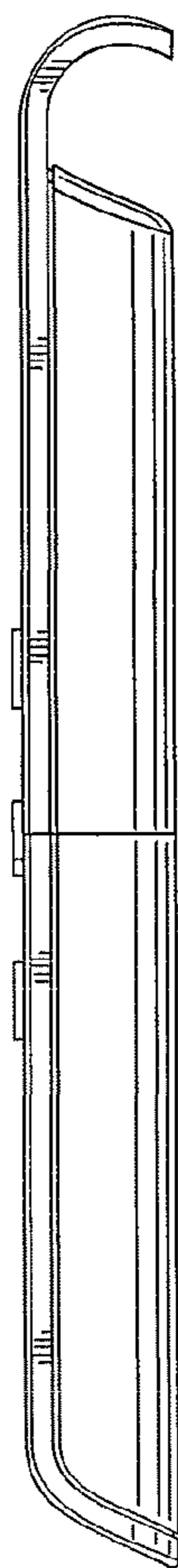


FIG. 13

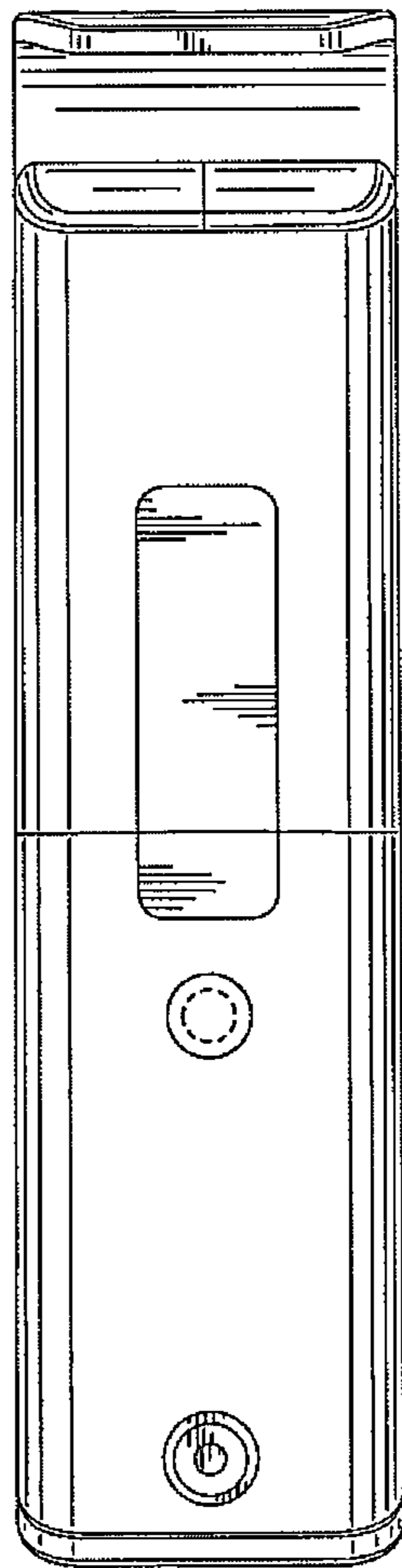


FIG. 14