



US00D709835S

(12) **United States Design Patent**
Jones

(10) **Patent No.:** **US D709,835 S**
(45) **Date of Patent:** **** Jul. 29, 2014**

- (54) **ELECTRICAL JUNCTION BOX LID**
- (71) Applicant: **Ipex Technologies Inc.**, Mississauga (CA)
- (72) Inventor: **David Gordon Jones**, Oakville (CA)
- (73) Assignee: **Ipex Technologies Inc.**, Mississauga, Ontario (CA)

(**) Term: **14 Years**

(21) Appl. No.: **29/442,471**

(22) Filed: **Mar. 11, 2013**

(30) **Foreign Application Priority Data**

Feb. 28, 2013 (CA) 150013

(51) **LOC (10) Cl.** **13-03**

(52) **U.S. Cl.**
USPC **D13/152**

(58) **Field of Classification Search**
USPC D13/152, 164, 184, 137.1, 139.1, 153,
D13/137.2, 133, 137.4, 139.7, 130, 128,
D13/132, 138.2, 139.3, 139.4, 139.8, 139.6,
D13/123, 160, 107; D14/205, 228;
D7/300.2

See application file for complete search history.

(56) **References Cited**

U.S. PATENT DOCUMENTS

1,208,618 A	12/1916	Morrison
2,263,842 A	11/1941	Gross
2,263,843 A	11/1941	Gross
2,642,016 A	6/1953	Thalmann
3,296,763 A	1/1967	Curl
3,480,311 A	11/1969	Lanham, Jr.
3,951,300 A	4/1976	Kalasek
4,129,395 A	12/1978	Theurer
4,358,130 A	11/1982	Adams
4,941,588 A	7/1990	Flider

5,050,764 A	9/1991	Voss	
5,123,795 A	6/1992	Engel	
5,361,925 A	11/1994	Wecke	
D374,429 S *	10/1996	Blais et al.	D13/156
5,865,336 A	2/1999	Krzywdziak	
D422,565 S *	4/2000	Kim, II	D13/152
D423,461 S *	4/2000	Layton, Jr.	D13/152
D424,523 S *	5/2000	Hughes	D13/147
D462,329 S *	9/2002	Hughes et al.	D13/152
6,530,629 B2	3/2003	Shyr	
D499,070 S *	11/2004	Lavington	D13/119

(Continued)

OTHER PUBLICATIONS

Ipex Technologies Inc., Box and Gasket Assembly, Jul. 19, 2011, 1 page containing 3 photo views, Mississauga ON Canada.

Primary Examiner — Caron D Veynar
Assistant Examiner — Rhea Shields

(57) **CLAIM**

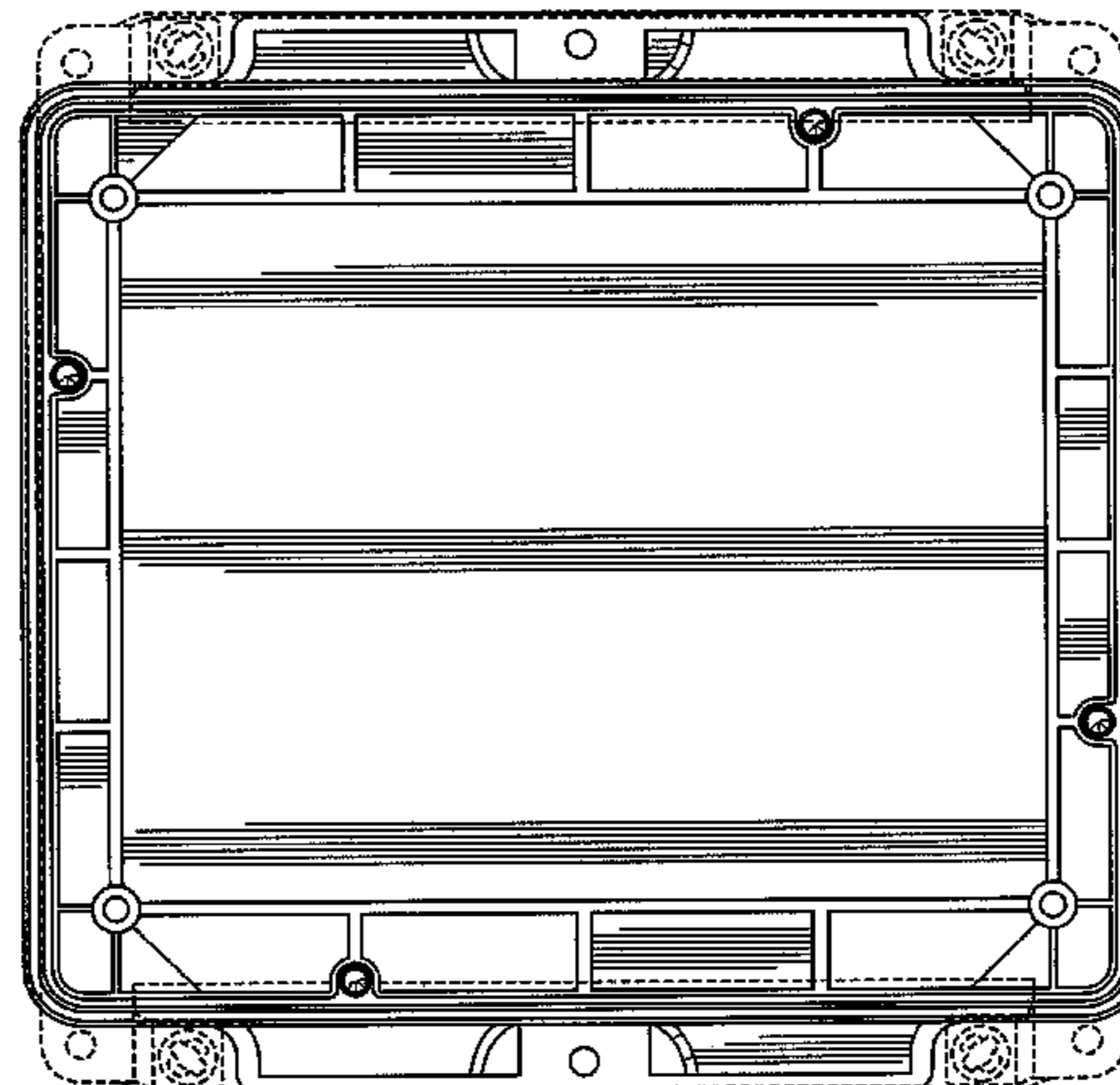
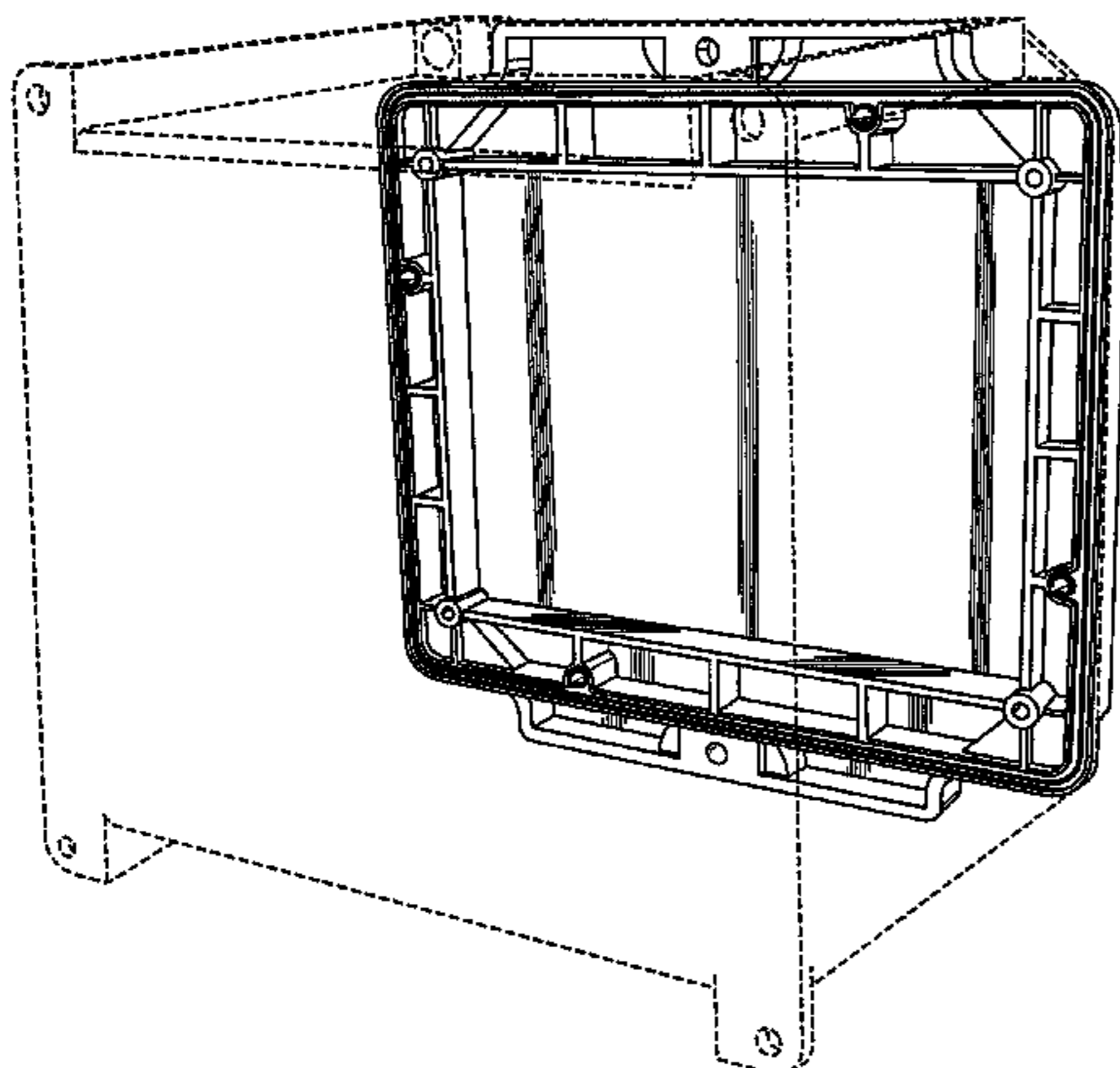
I claim the ornamental design for an electrical junction box lid, as shown and described.

DESCRIPTION

FIG. 1 is a perspective view taken from the bottom and one side of the design;
 FIG. 2 is a front elevational view of the design shown in FIG. 1;
 FIG. 3 is a right side elevational view of the design shown in FIG. 1;
 FIG. 4 is a rear elevational view of the design shown in FIG. 1;
 FIG. 5 is a left side elevational view of the design shown in FIG. 1;
 FIG. 6 is a top elevational view of the design shown in FIG. 1;
 and,
 FIG. 7 is a bottom elevational view of the design shown in FIG. 1.

The broken line portions in the drawings are for illustrative purposes and do not form part of the claimed design.

1 Claim, 7 Drawing Sheets



(56)

References Cited

U.S. PATENT DOCUMENTS

7,032,708 B2 4/2006 Popken
D556,143 S * 11/2007 Ni D13/152
D560,170 S * 1/2008 Ni D13/152
D588,067 S * 3/2009 Seropian D13/152

D593,970 S * 6/2009 Sonntag D13/184
7,607,553 B2 10/2009 Weber
D606,033 S * 12/2009 Sonntag D13/184
D638,367 S * 5/2011 Isaacks et al. D13/152
7,997,841 B2 8/2011 Show
D688,241 S * 8/2013 Miller et al. D14/385
2011/0262243 A1 10/2011 Glickman

* cited by examiner

Fig.1

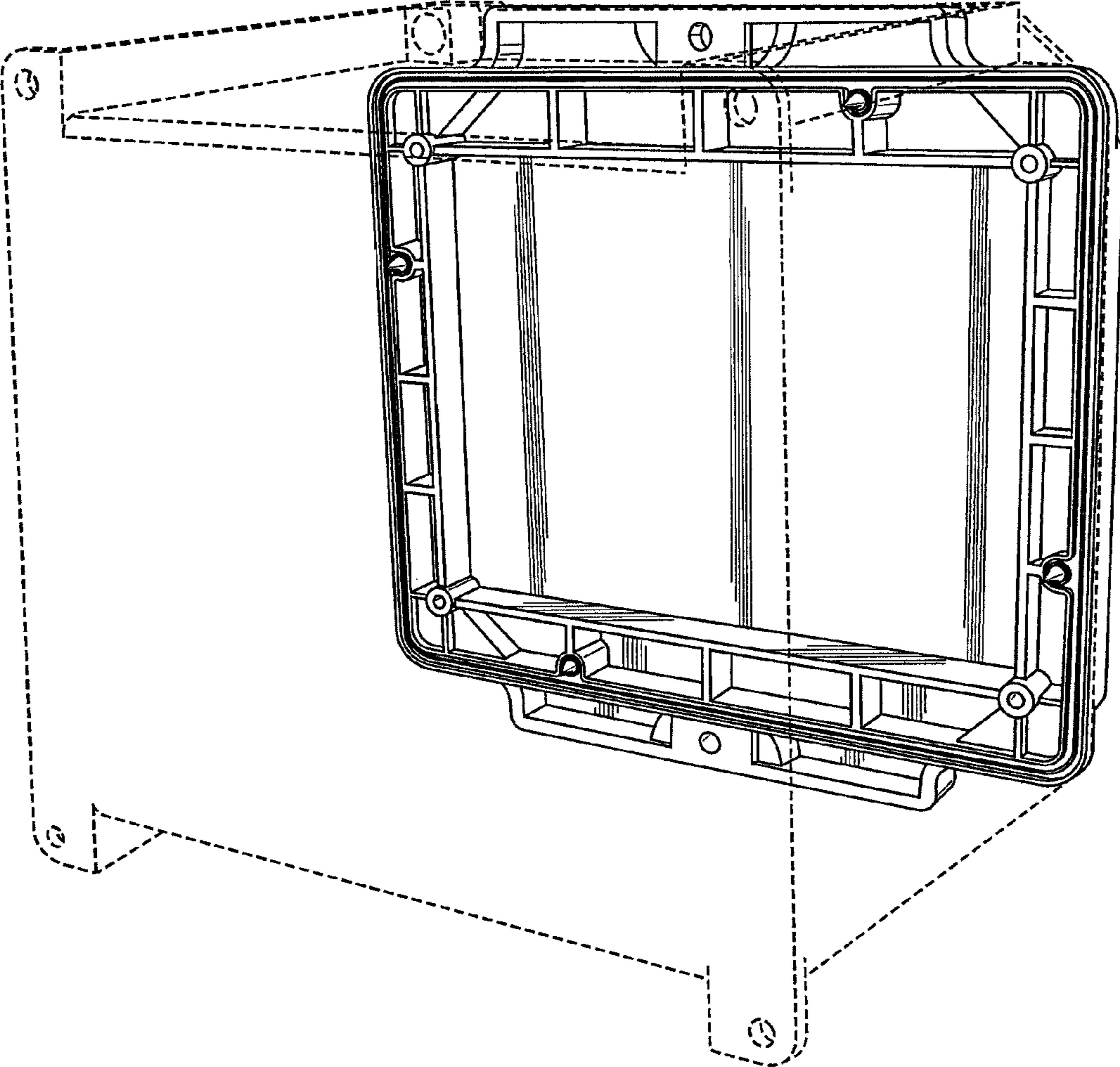


Fig.2

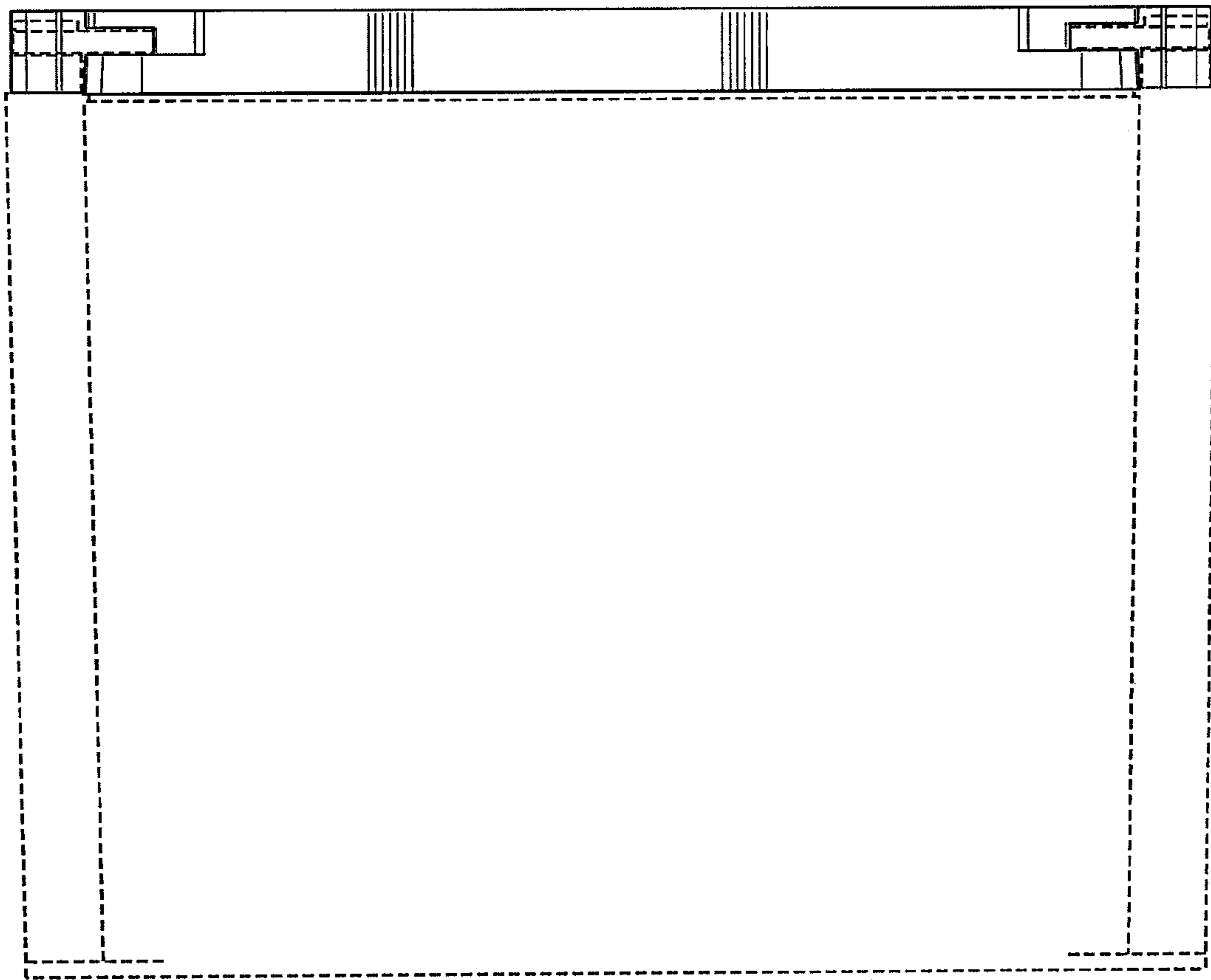


Fig.3

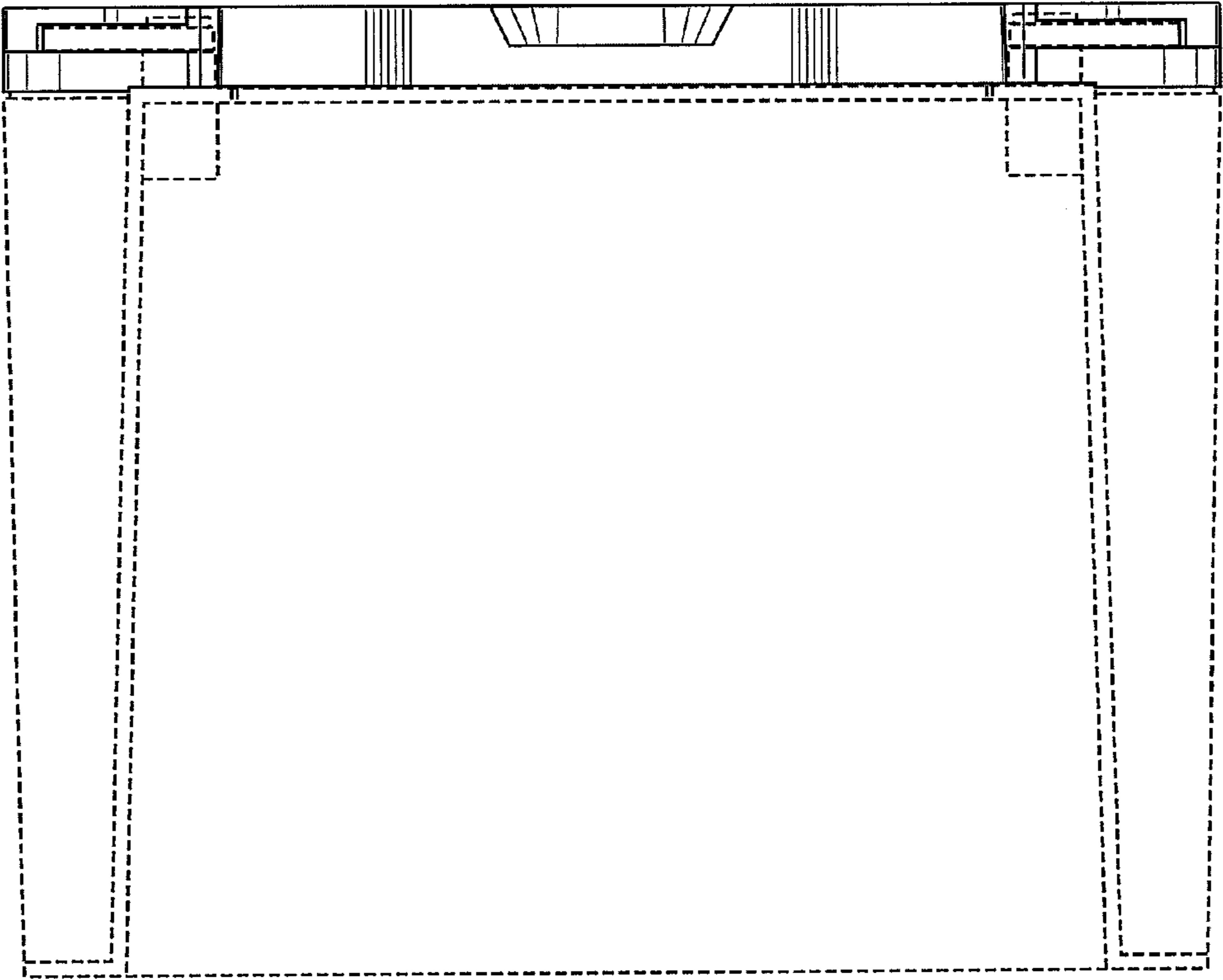


Fig.4

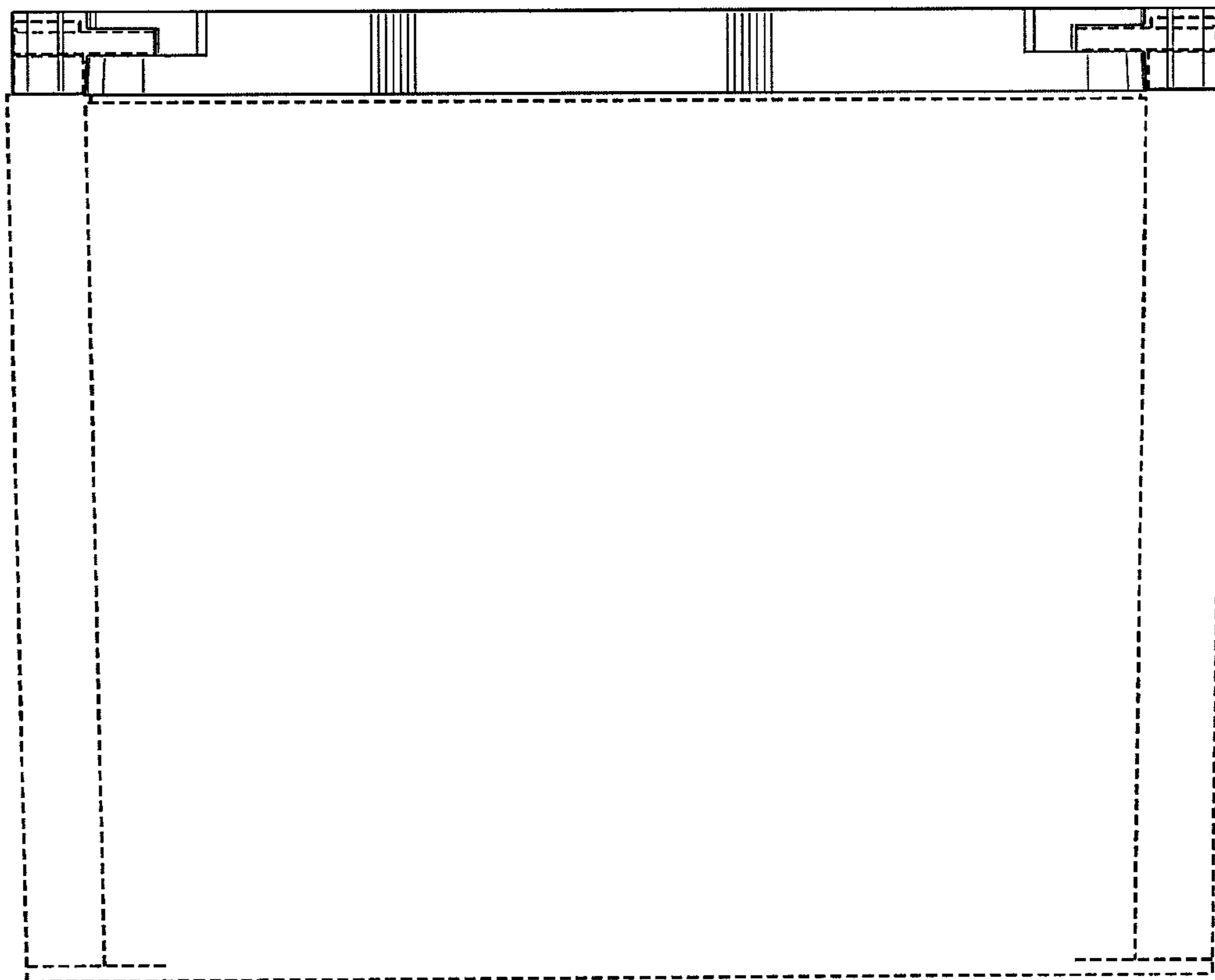


Fig.5

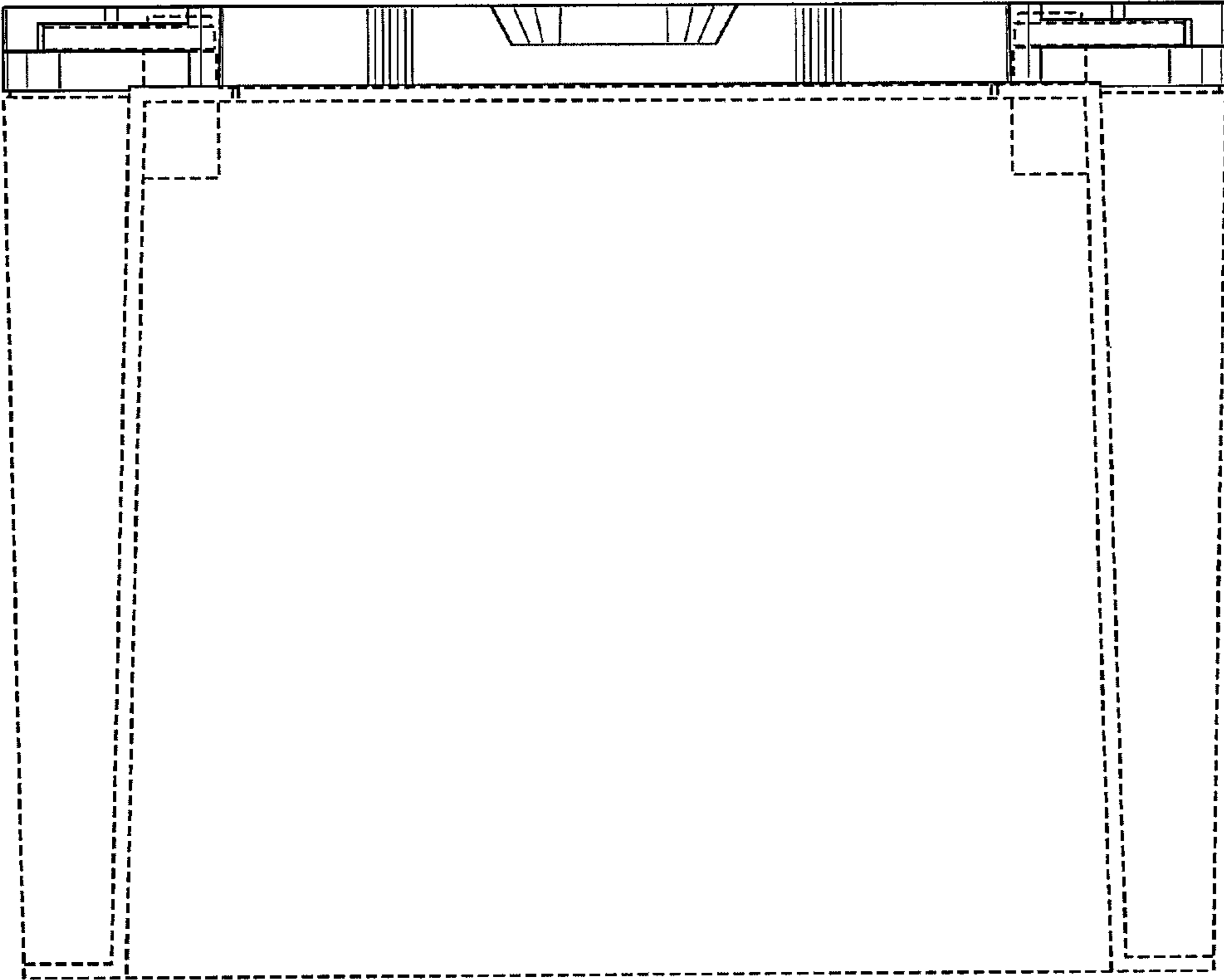


Fig.6

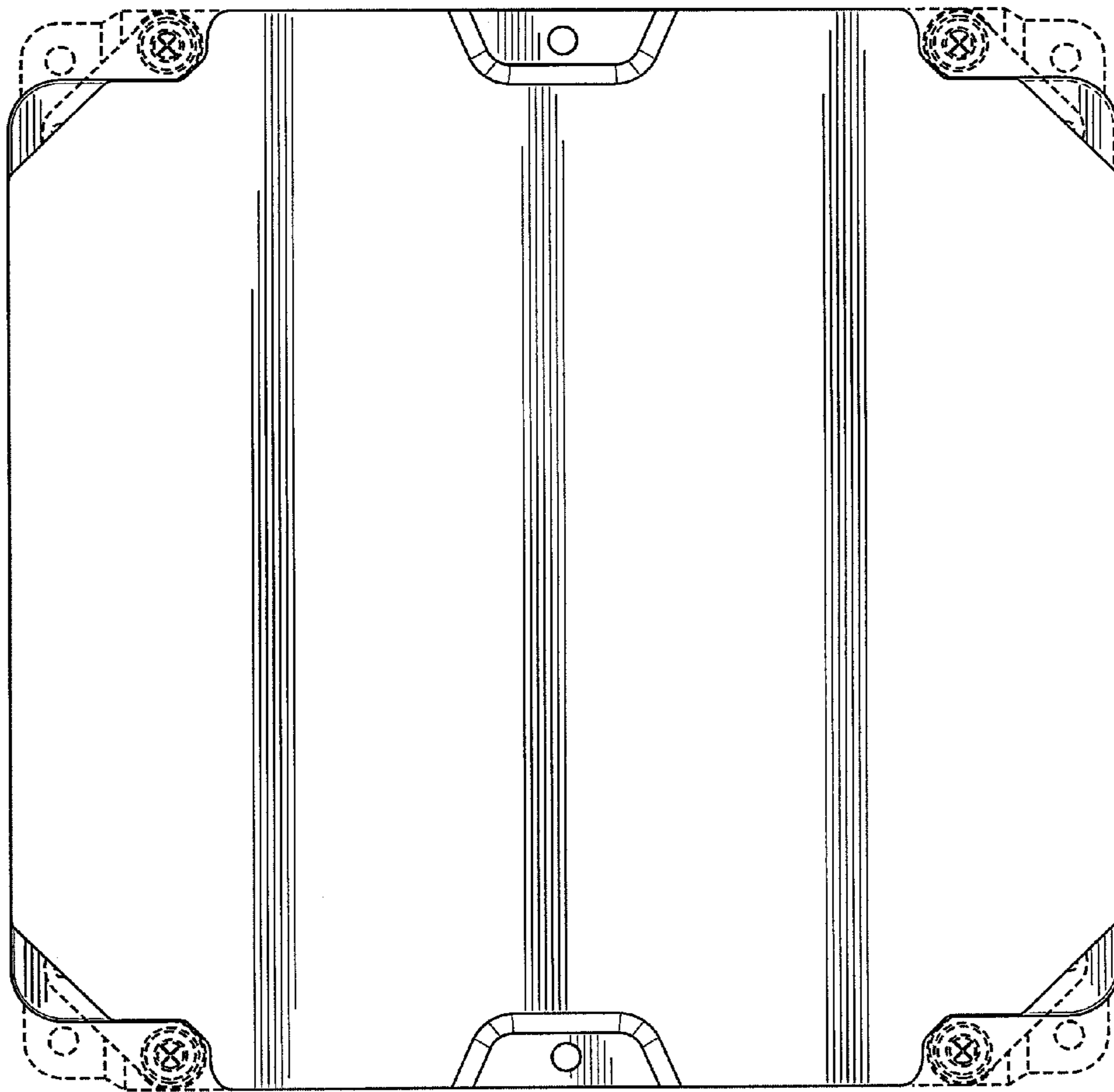


Fig.7

