



US00D709832S

(12) **United States Design Patent**
Byrne et al.

(10) **Patent No.:** **US D709,832 S**
(45) **Date of Patent:** **** Jul. 29, 2014**

(54) **POWER AND DATA CENTER**

(71) Applicants: **Norman R. Byrne**, Ada, MI (US);
Elizabeth A. Wirgau, Kent City, MI
(US); **Randell E. Pate**, Jenison, MI (US)

(72) Inventors: **Norman R. Byrne**, Ada, MI (US);
Elizabeth A. Wirgau, Kent City, MI
(US); **Randell E. Pate**, Jenison, MI (US)

(**) Term: **14 Years**

(21) Appl. No.: **29/471,683**

(22) Filed: **Nov. 4, 2013**

(51) **LOC (10) Cl.** **13-03**

(52) **U.S. Cl.**
USPC **D13/139.4**

(58) **Field of Classification Search**
USPC D13/139.1, 107, 109, 110, 112, 114,
D13/130, 131, 132, 133, 137, 137.1, 137.2,
D13/137.3, 137.4, 138.1, 139.2, 139.4,
D13/139.5, 139.7, 139.8, 146, 147, 151,
D13/152, 160, 161, 162, 164, 199; D26/2,
D26/3, 64, 75; 313/331, 357, 422
See application file for complete search history.

(56) **References Cited**

U.S. PATENT DOCUMENTS

D437,827	S	*	2/2001	Gershfeld	D13/139.4
D454,541	S	*	3/2002	Gershfeld	D13/139.4
D455,123	S	*	4/2002	Gershfeld	D13/139.4
D455,716	S	*	4/2002	Gershfeld	D13/139.4
D466,868	S	*	12/2002	Gershfeld	D13/139.4
D537,785	S	*	3/2007	Pincek	D13/139.4
D556,139	S	*	11/2007	Gershfeld	D13/139.4
D626,070	S	*	10/2010	Byrne	D13/139.4
D657,315	S	*	4/2012	Feldstein et al.	D13/139.4
D665,355	S	*	8/2012	Byrne	D13/139.4
8,287,292	B2		10/2012	Byrne		
D682,213	S	*	5/2013	Byrne et al.	D13/139.4
D685,329	S	*	7/2013	Byrne et al.	D13/139.4

OTHER PUBLICATIONS

Co-pending and commonly-owned Design U.S. Appl. No. 29/471,685, filed Nov. 4, 2013.

* cited by examiner

Primary Examiner — Robert M Spear

Assistant Examiner — Rhea Shields

(74) *Attorney, Agent, or Firm* — Gardner, Linn, Burkhardt & Flory, LLP

(57) **CLAIM**

The ornamental design for a power and data center, as shown and described.

DESCRIPTION

FIG. 1 is a perspective view of a power and data center showing our new design in a fully-closed configuration; FIG. 2 is another perspective view of the power and data center, shown in a partially-open configuration; FIG. 3 is another perspective view of the power and data center of FIG. 2; FIG. 4 is another perspective view of the power and data center, shown in another partially-open configuration; FIG. 5 is another perspective view of the power and data center, shown in another partially-open configuration; FIG. 6 is another perspective view of the power and data center, shown in a fully-open configuration; FIG. 7 is a top plan view of the power and data center of FIG. 1; FIG. 8 is a bottom plan view of the power and data center of FIG. 1; FIG. 9 is a right side elevation of the power and data center of FIG. 1; FIG. 10 is a left side elevation of the power and data center of FIG. 1; FIG. 11 is a front end elevation of the power and data center of FIG. 1; FIG. 12 is a rear end elevation of the power and data center of FIG. 1; FIG. 13 is a top plan view of the power and data center of FIGS. 2 and 3;

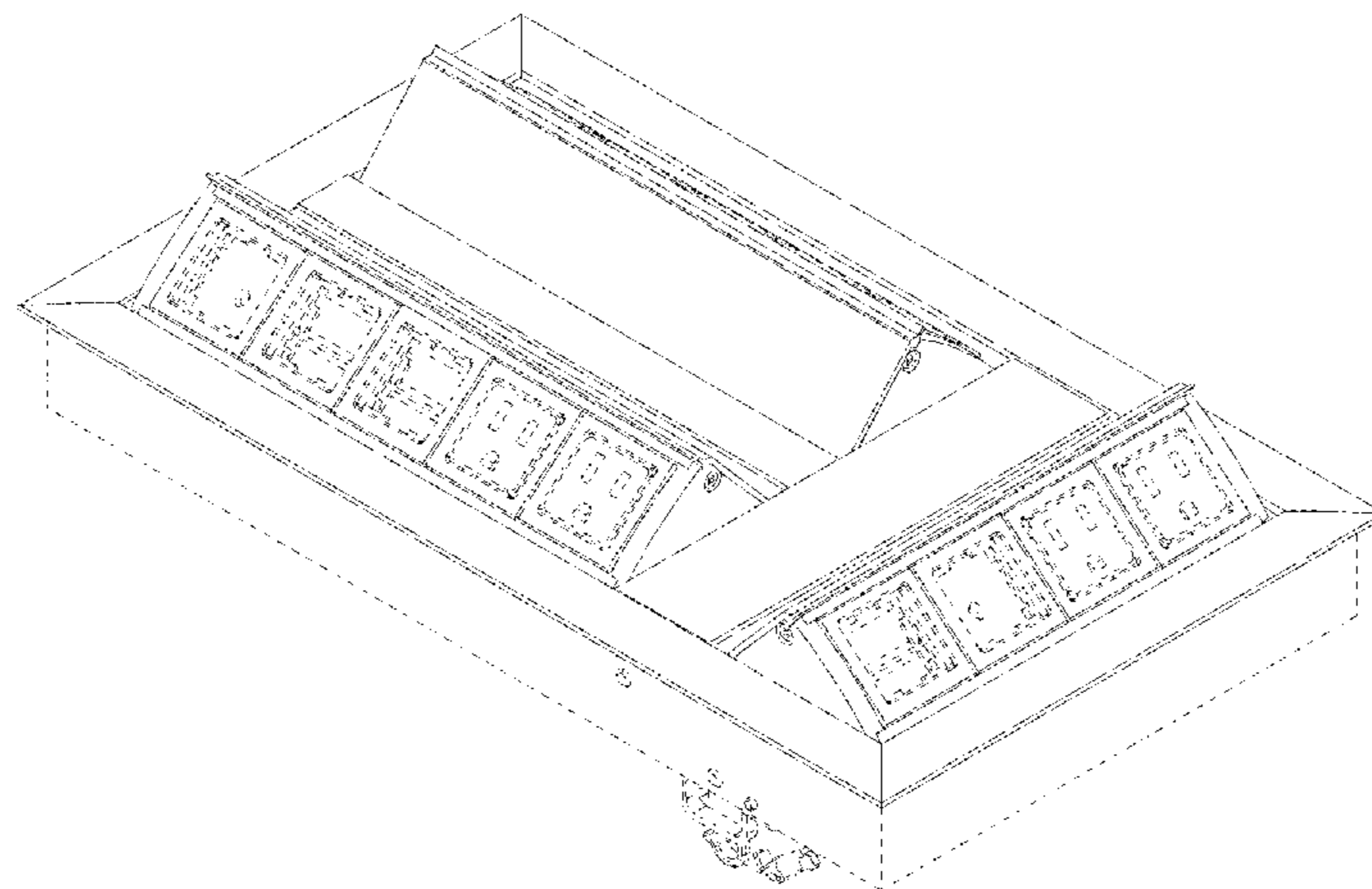


FIG. 14 is a bottom plan view of the power and data center of FIG. 2;

FIG. 15 is a right side elevation of the power and data center of FIG. 2;

FIG. 16 is a left side elevation of the power and data center of FIG. 2;

FIG. 17 is a front end elevation of the power and data center of FIG. 2;

FIG. 18 is a rear end elevation of the power and data center of FIG. 2;

FIG. 19 is a top plan view of the power and data center of FIG. 6;

FIG. 20 is a bottom plan view of the power and data center of FIG. 6; FIG. 21 is a right side elevation of the power and data center of FIG. 6;

FIG. 22 is a left side elevation of the power and data center of FIG. 6;

FIG. 23 is a front end elevation of the power and data center of FIG. 6; and,

FIG. 24 is a rear end elevation of the power and data center of FIG. 6.

The broken lines in the figures represent unclaimed environment only and form no part of the claimed design.

1 Claim, 9 Drawing Sheets

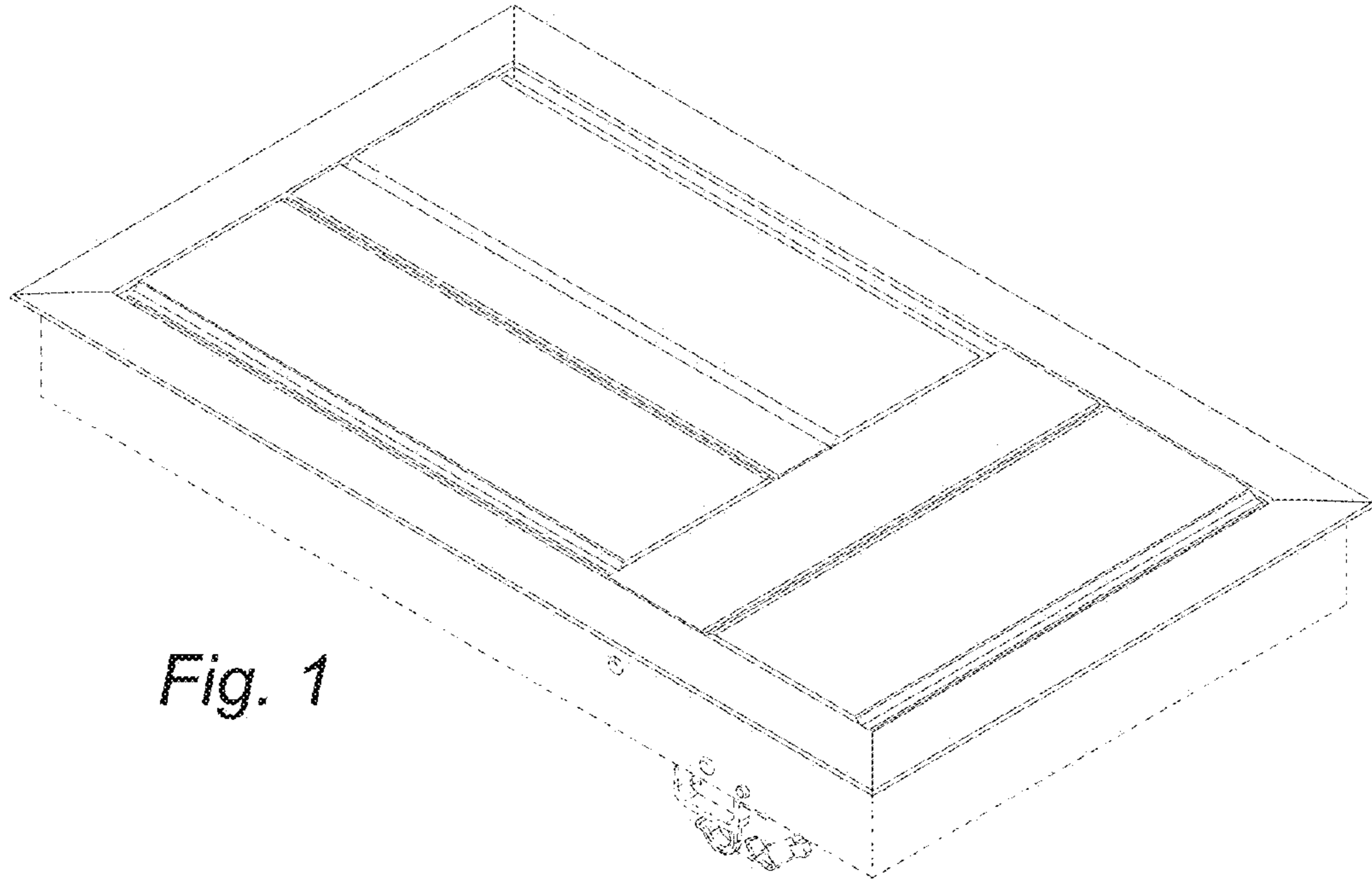


Fig. 1

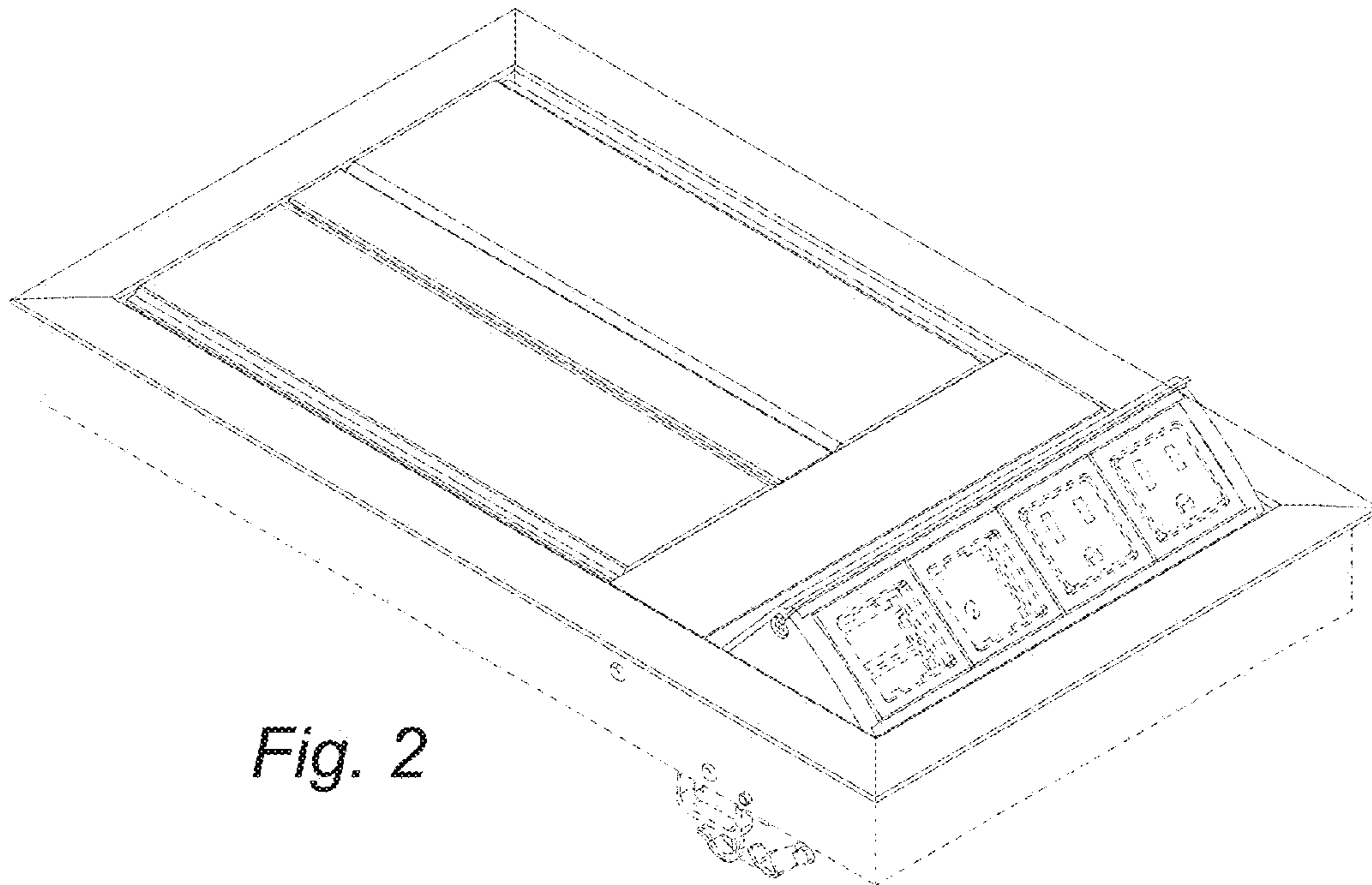


Fig. 2

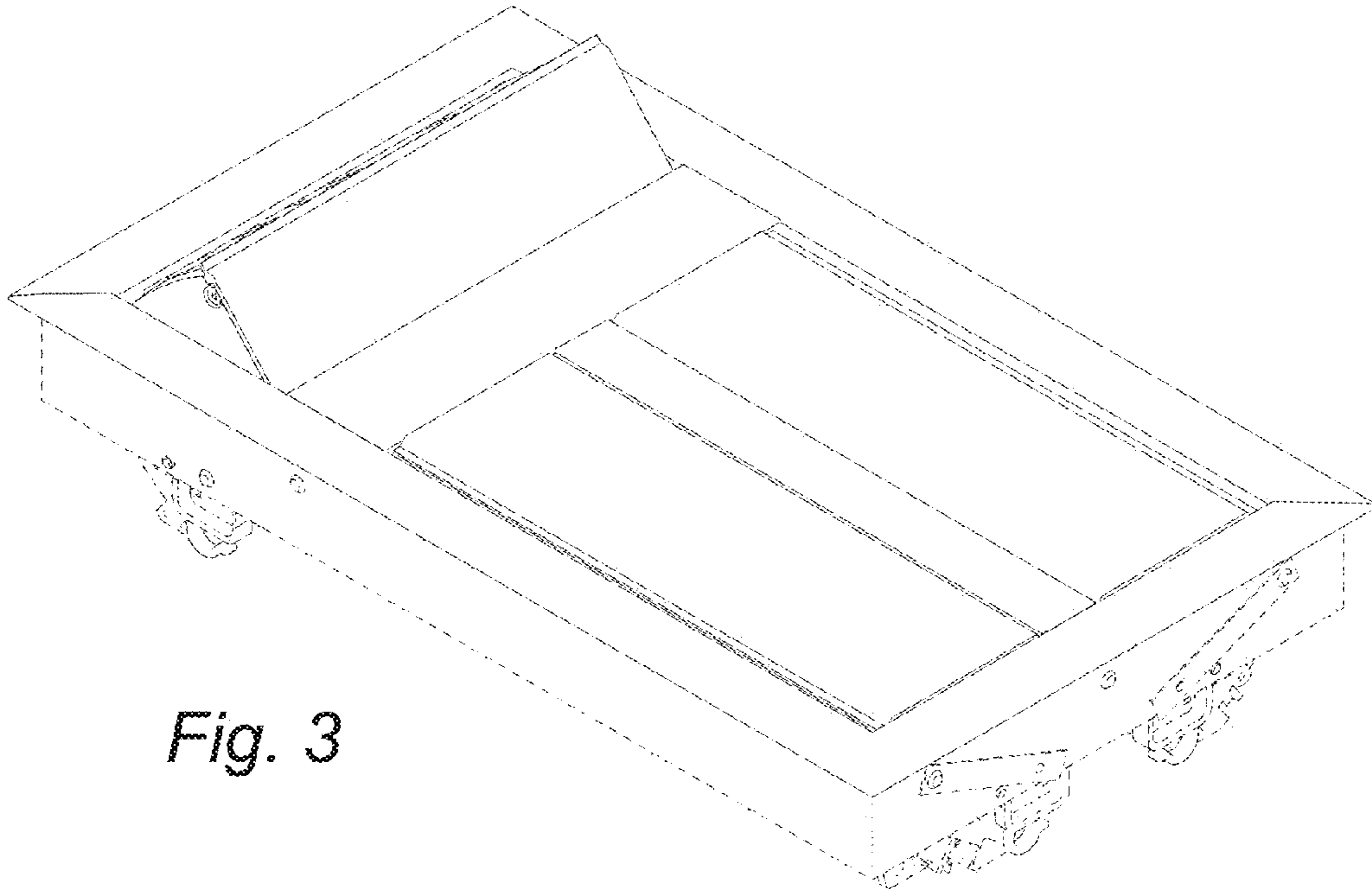


Fig. 3

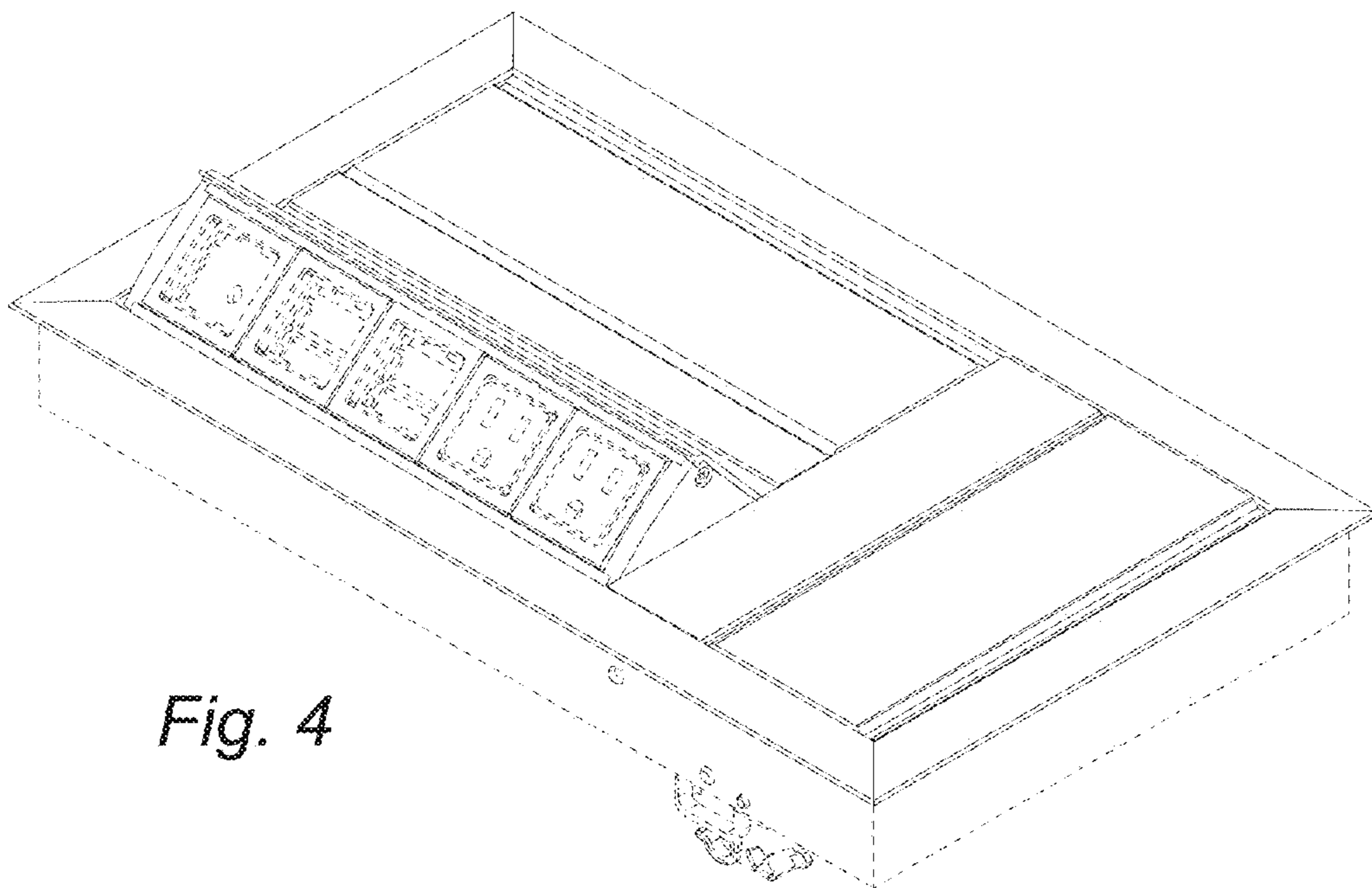


Fig. 4

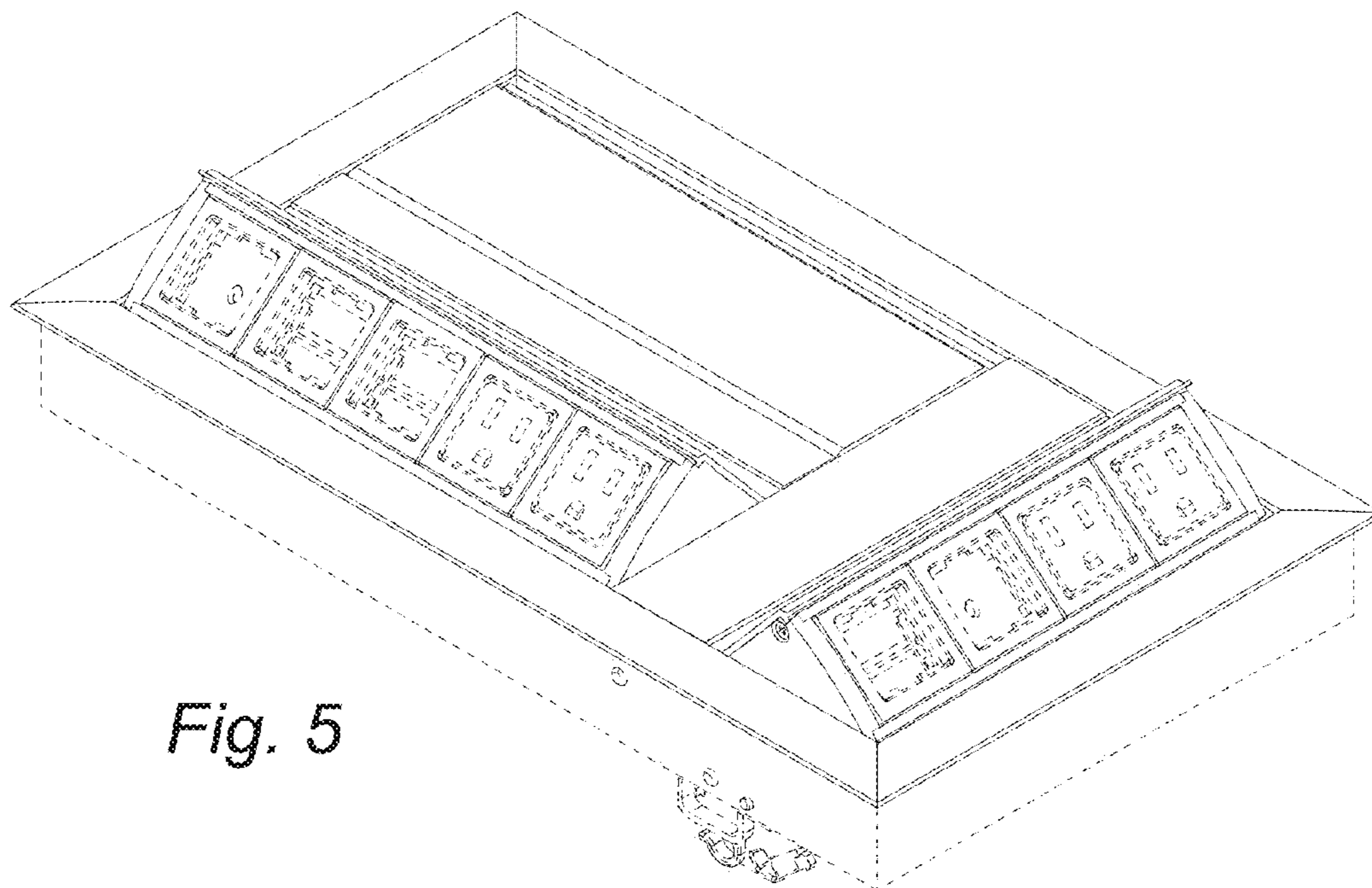


Fig. 5

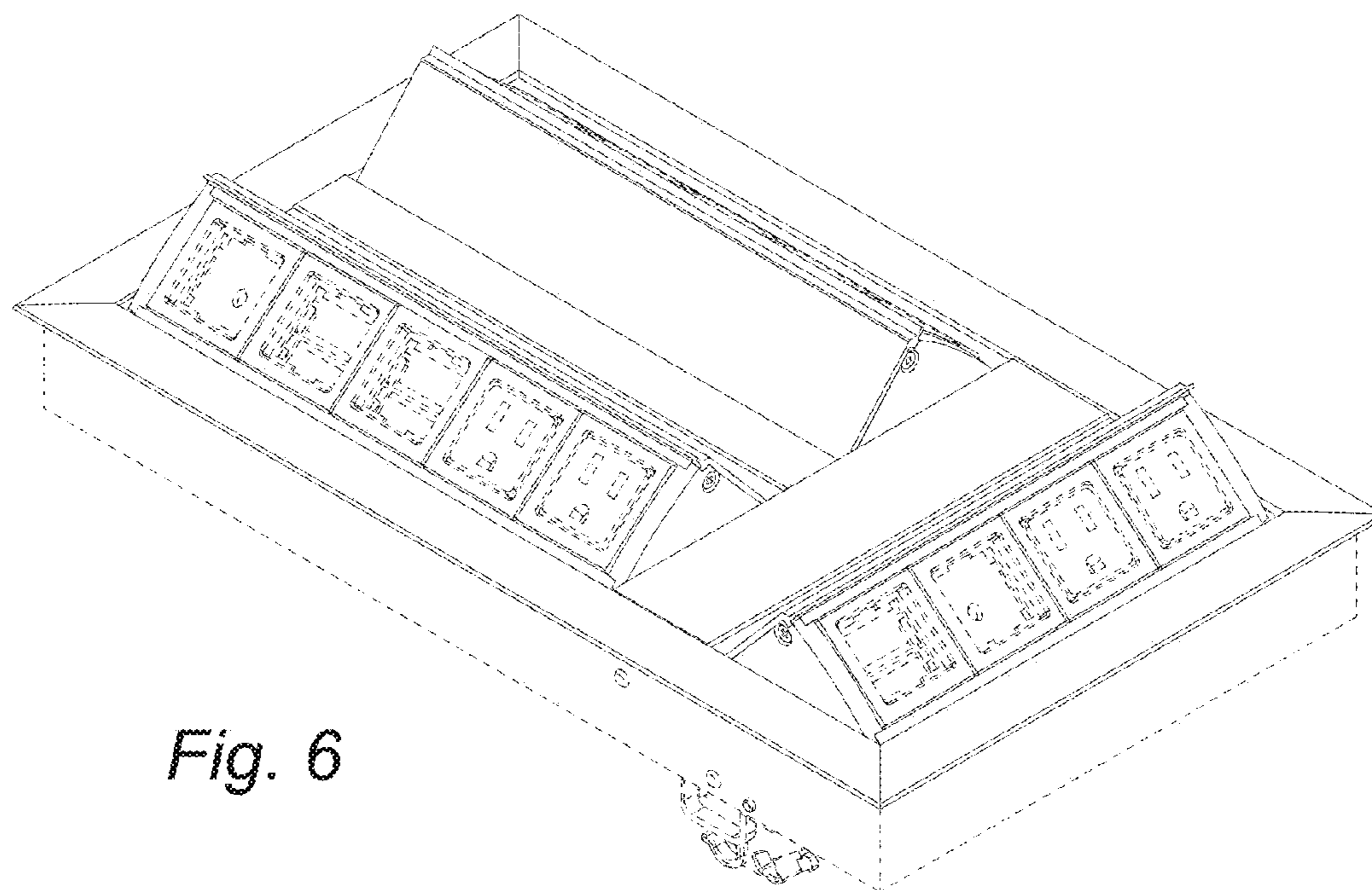


Fig. 6

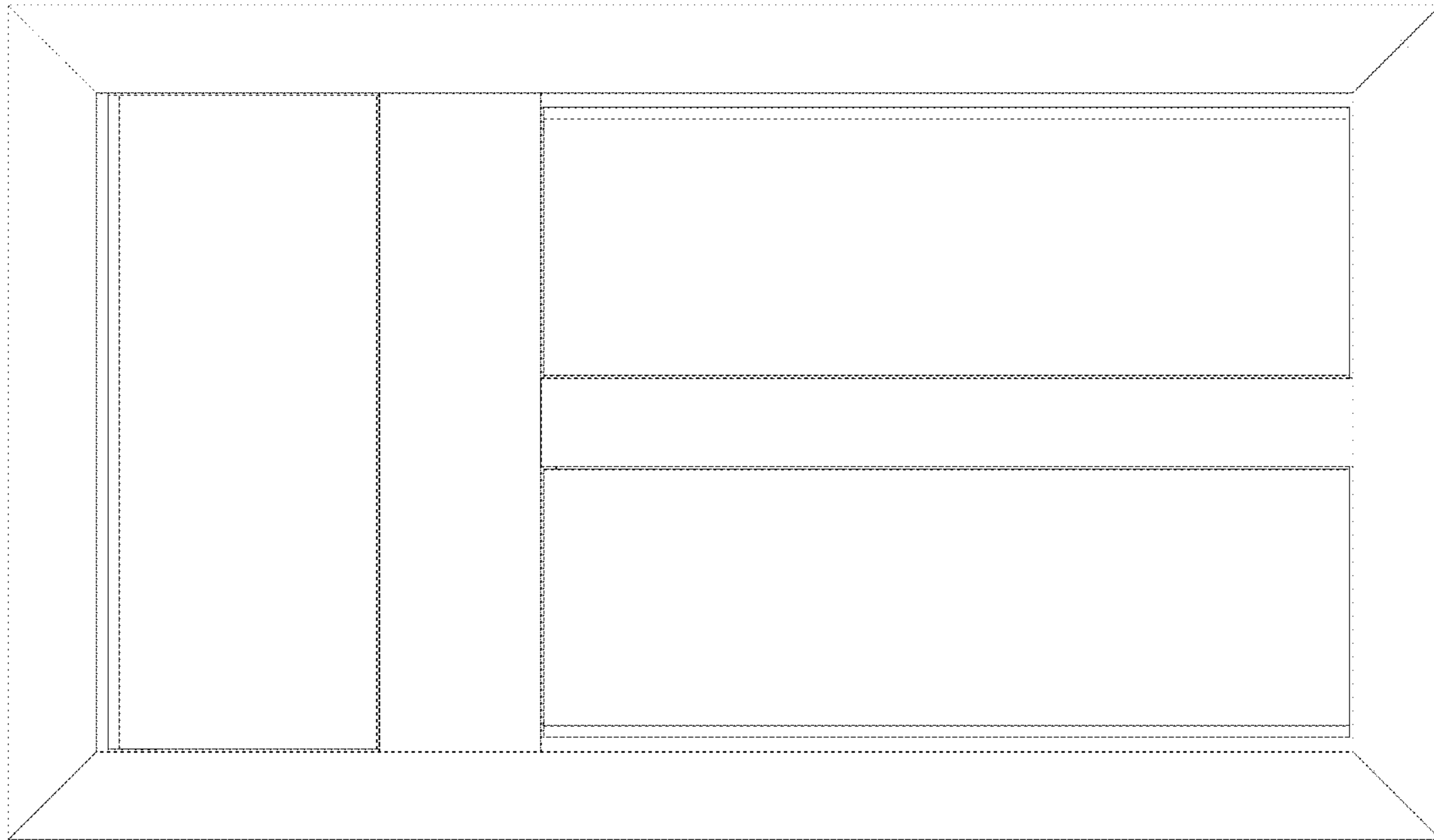


Fig. 7

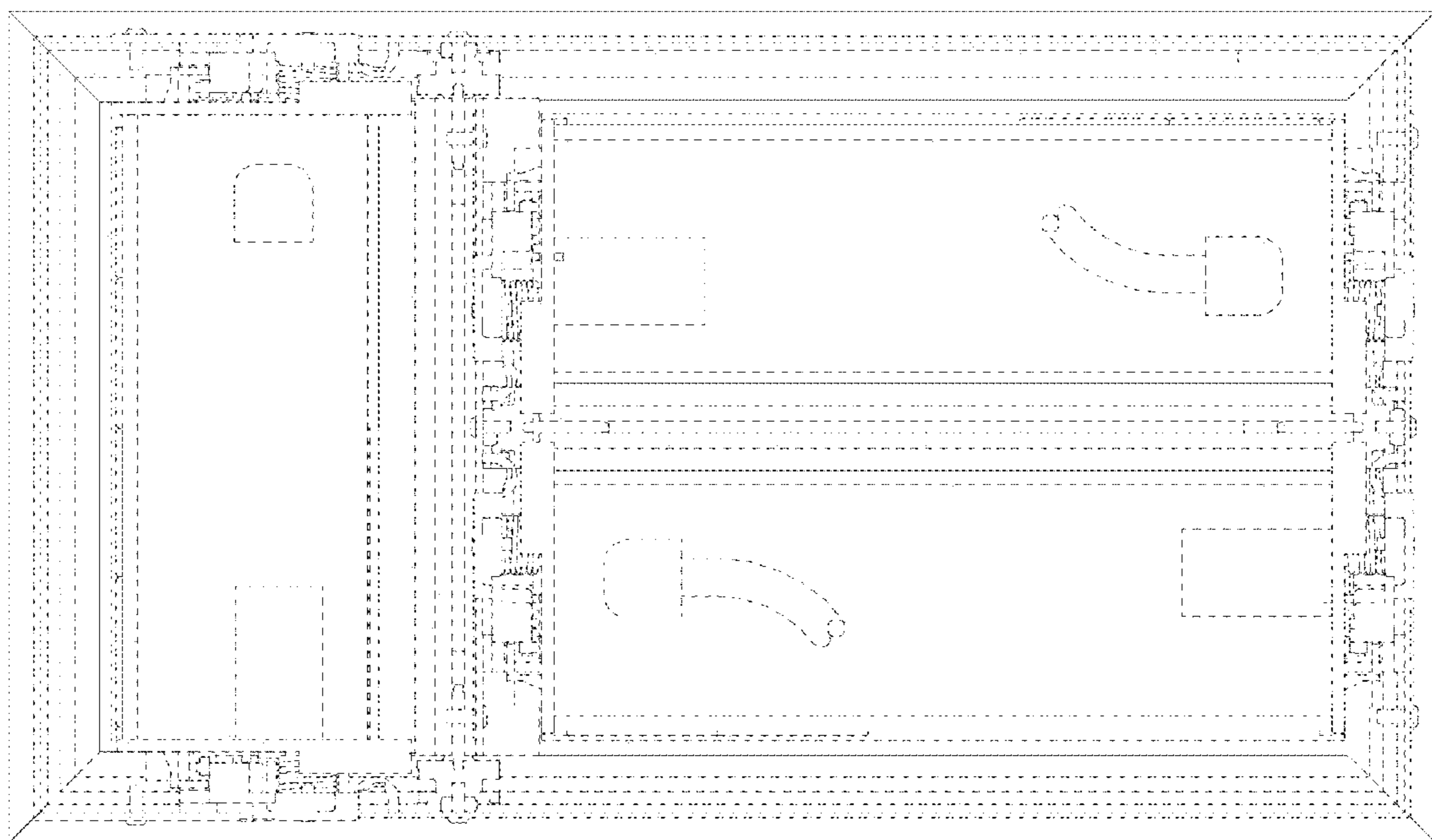


Fig. 8

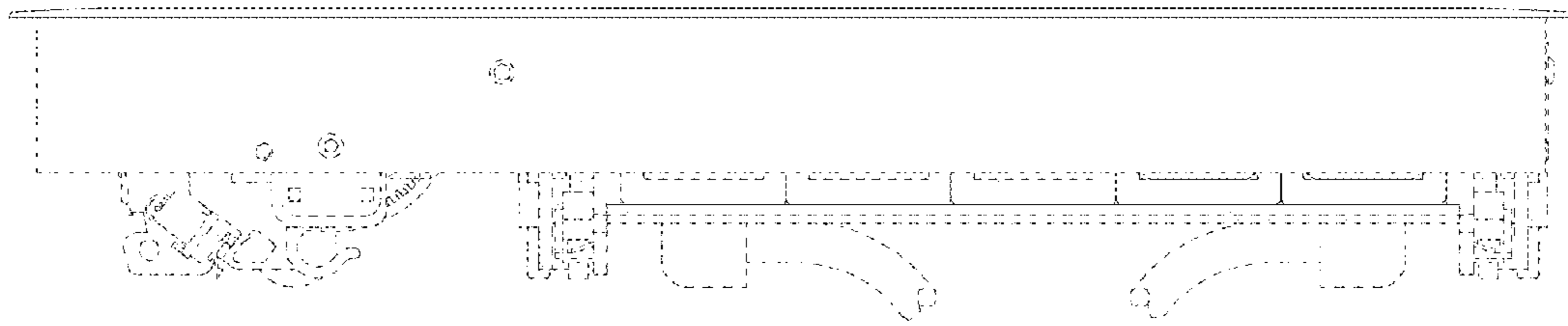


Fig. 9

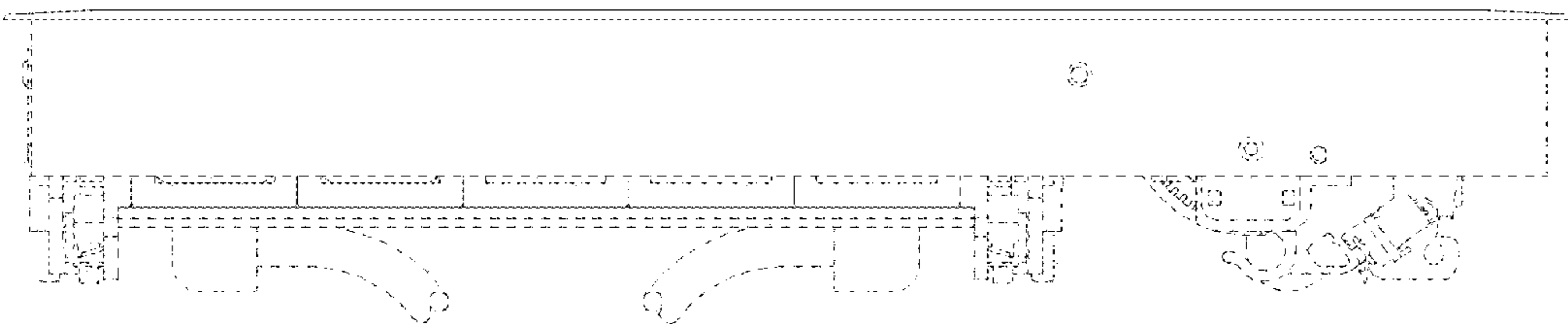


Fig. 10

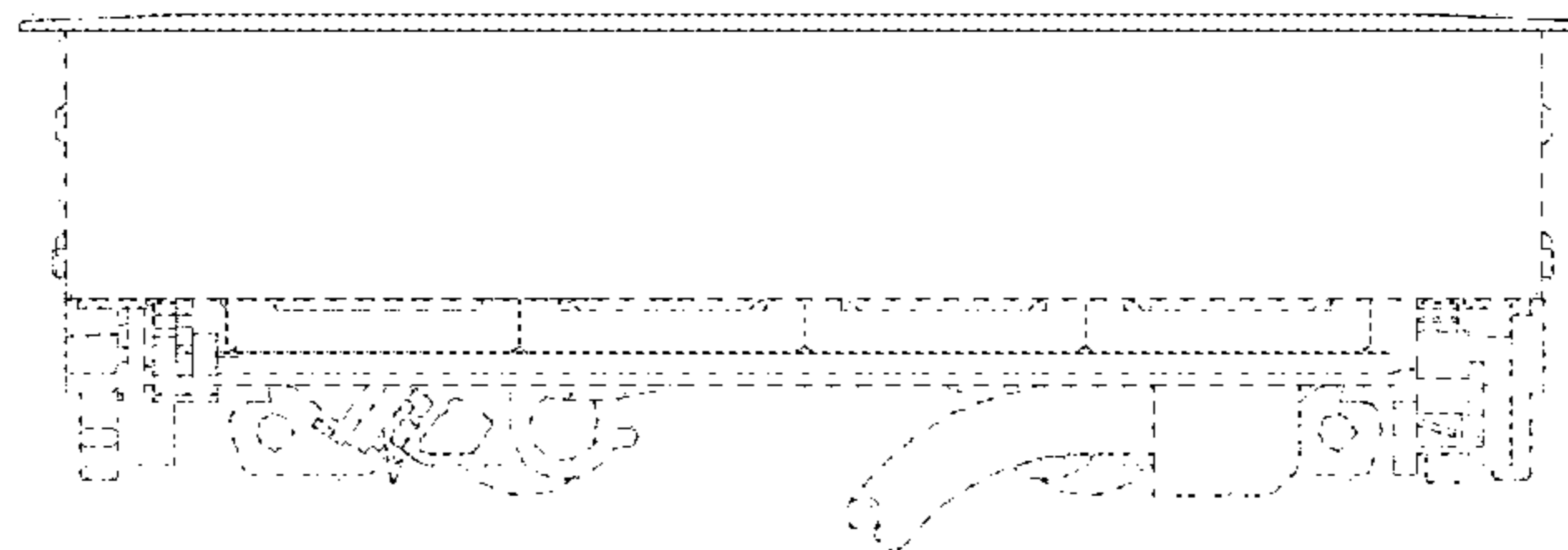


Fig. 11

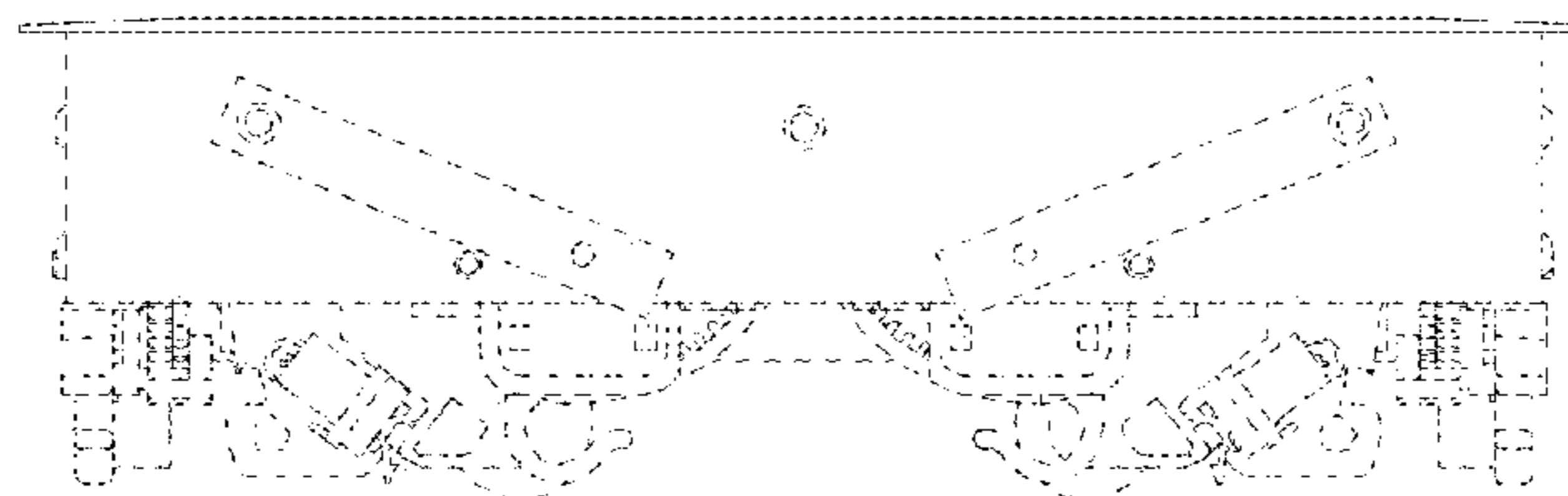


Fig. 12

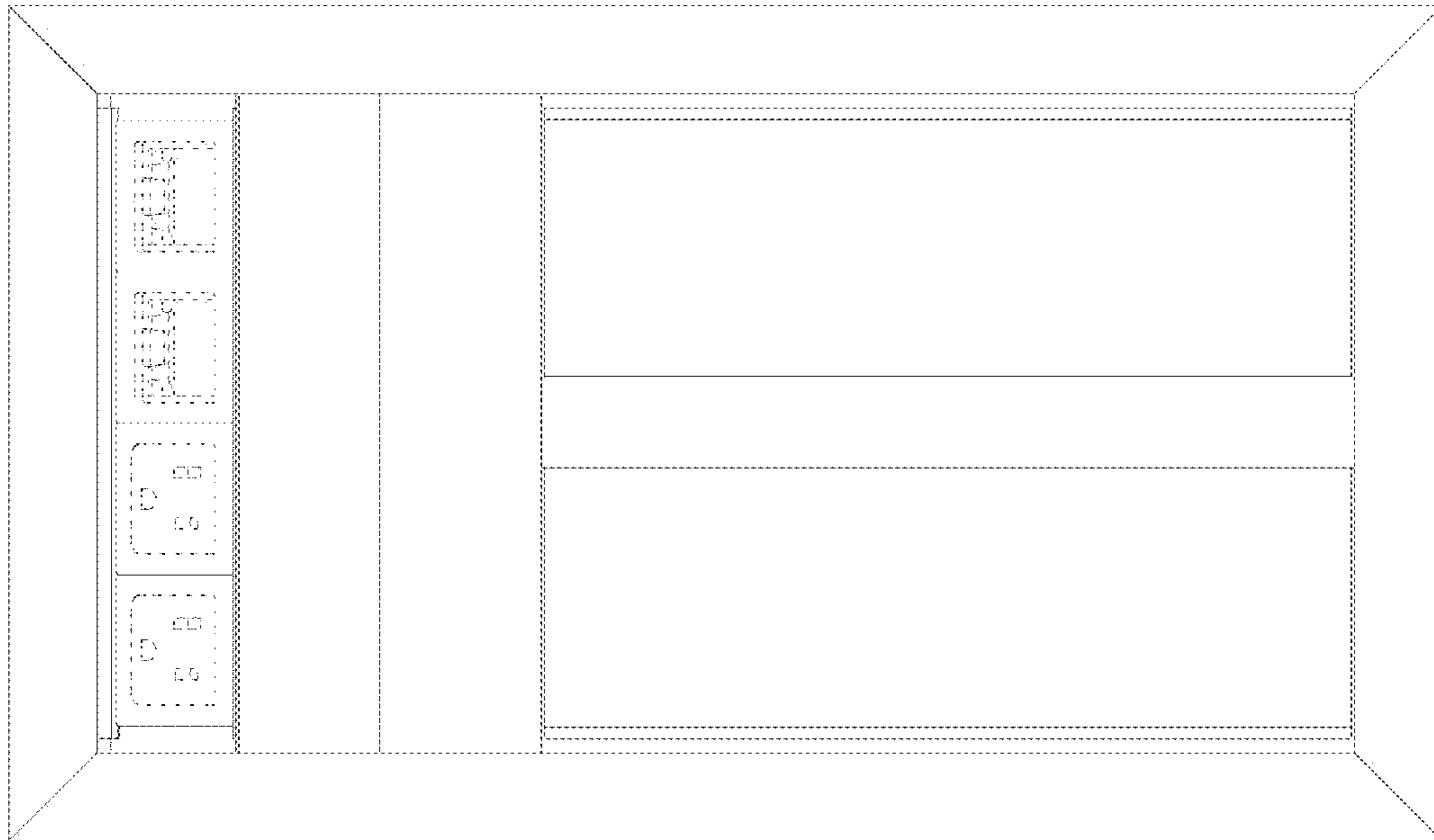


Fig. 13

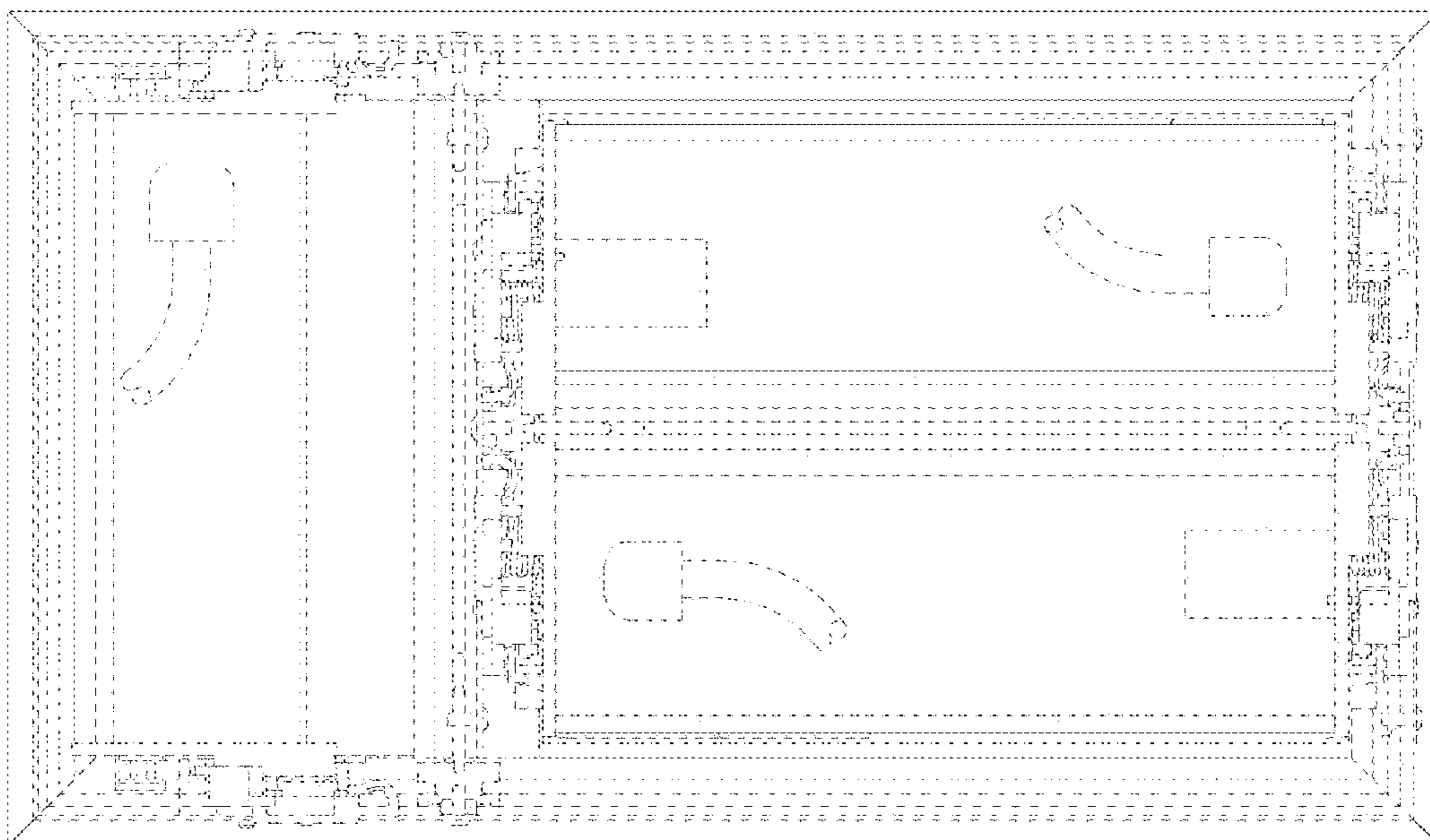


Fig. 14

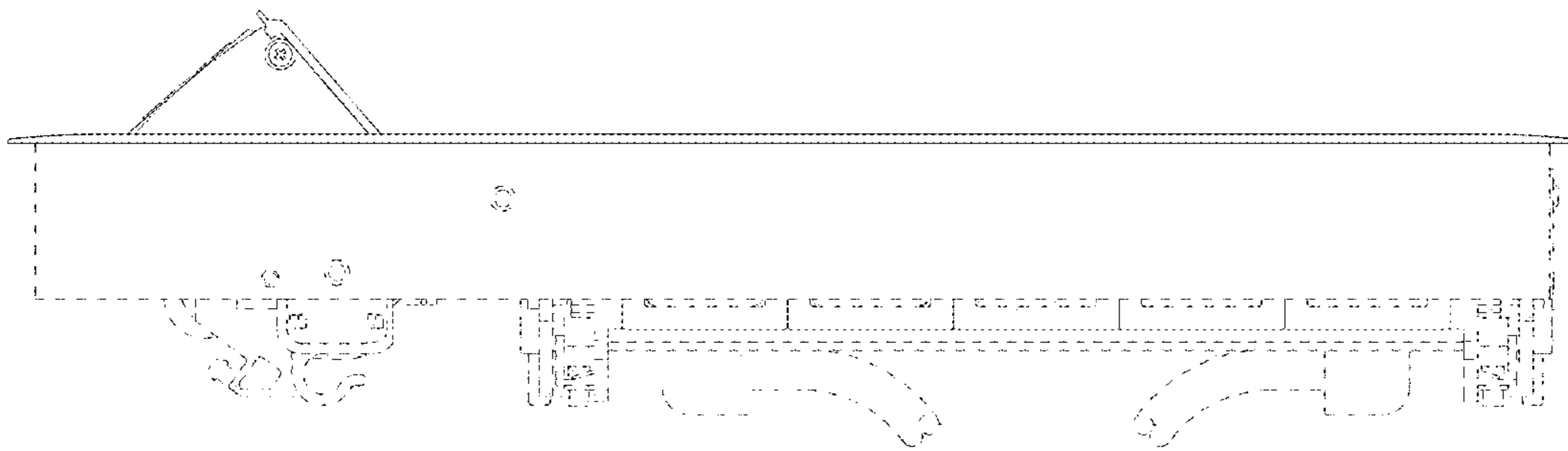


Fig. 15

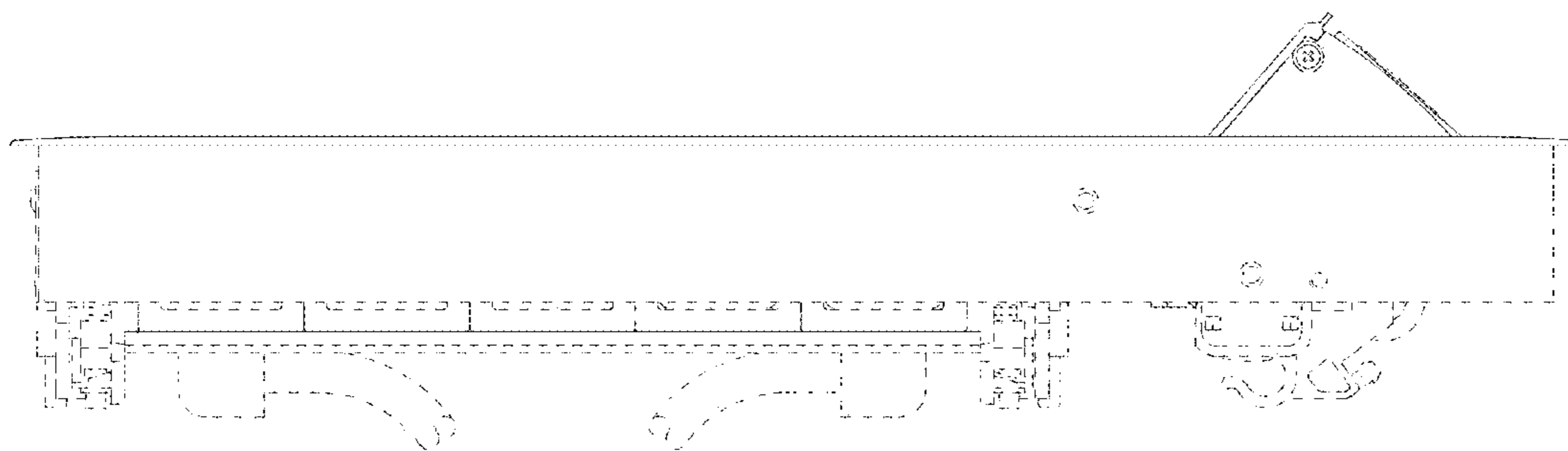


Fig. 16

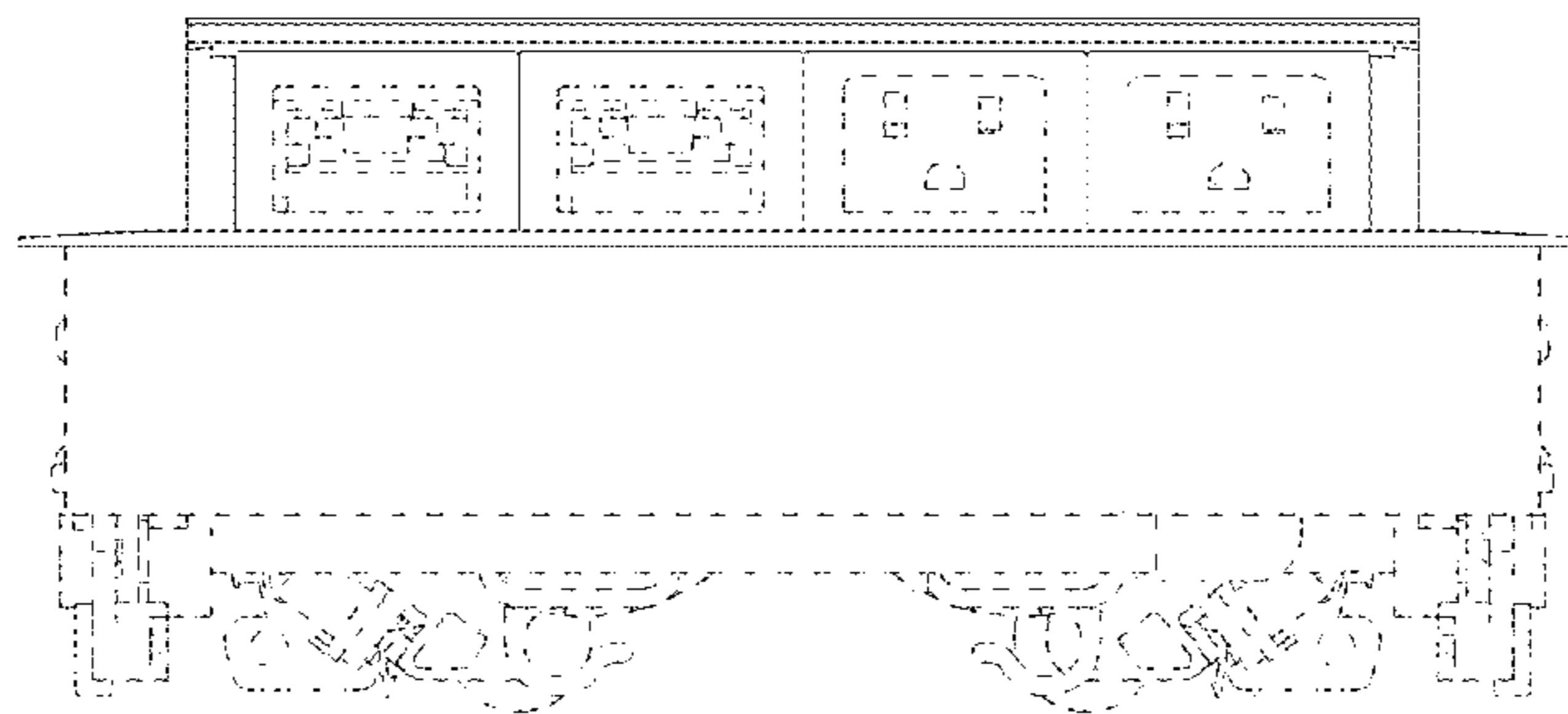


Fig. 17

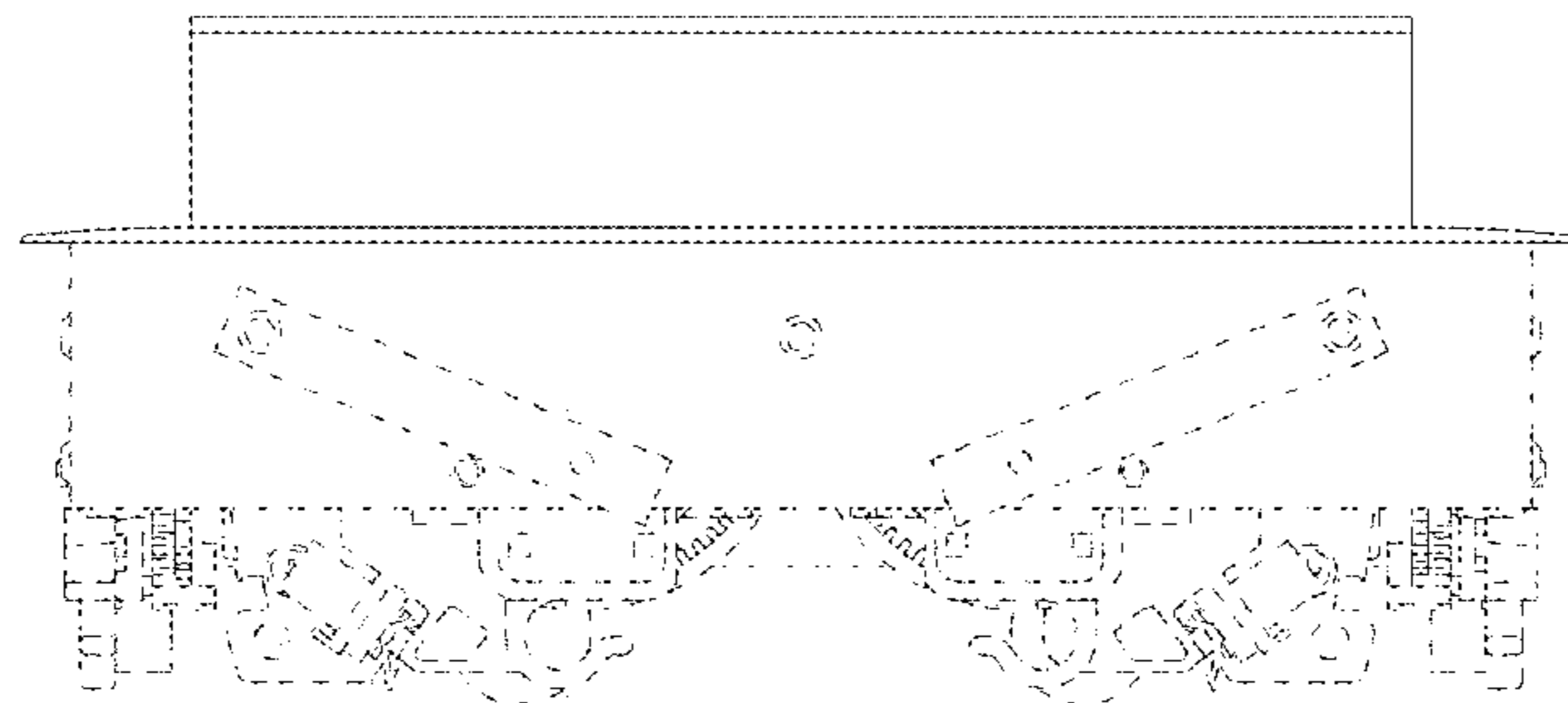


Fig. 18

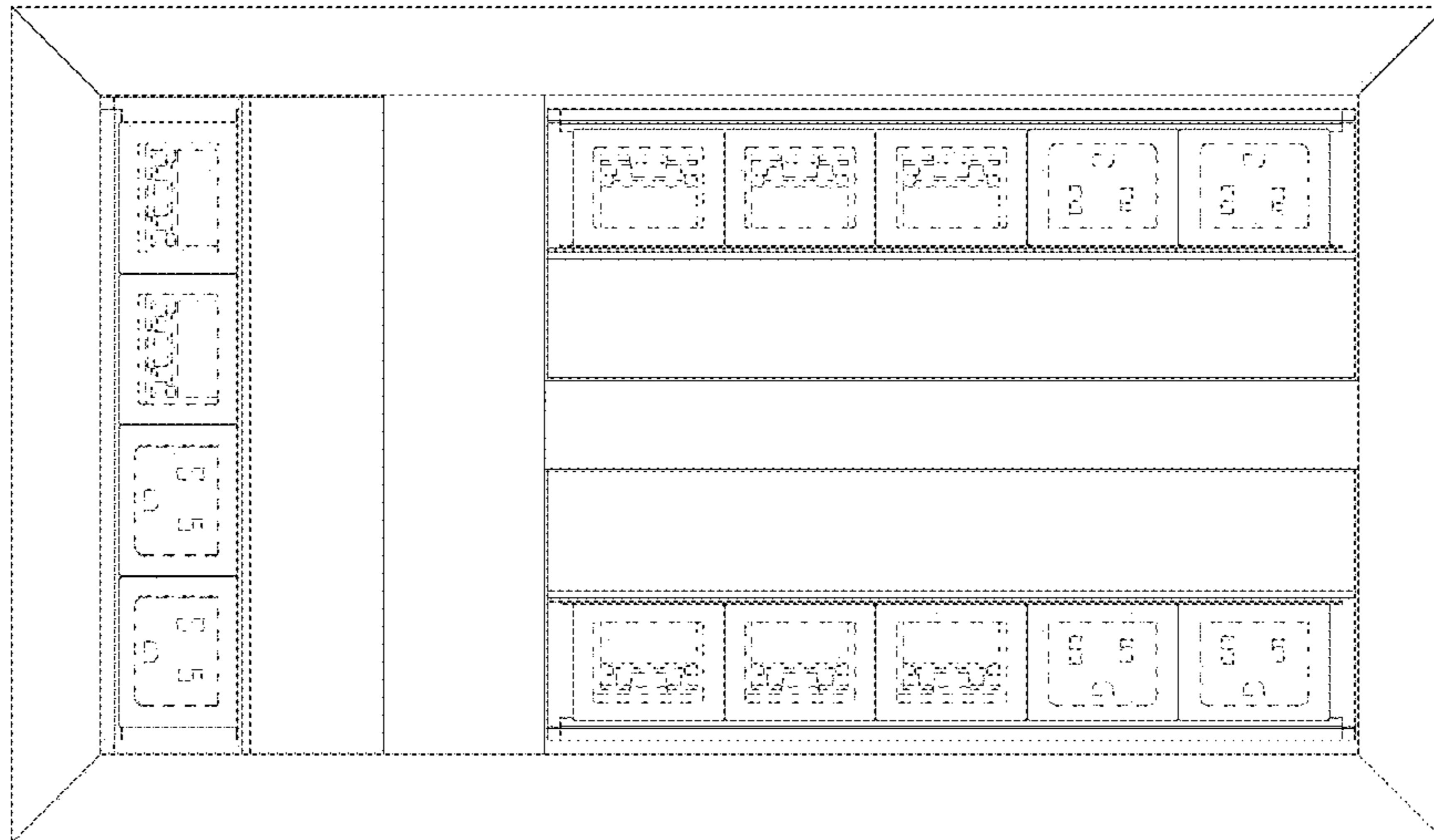


Fig. 19

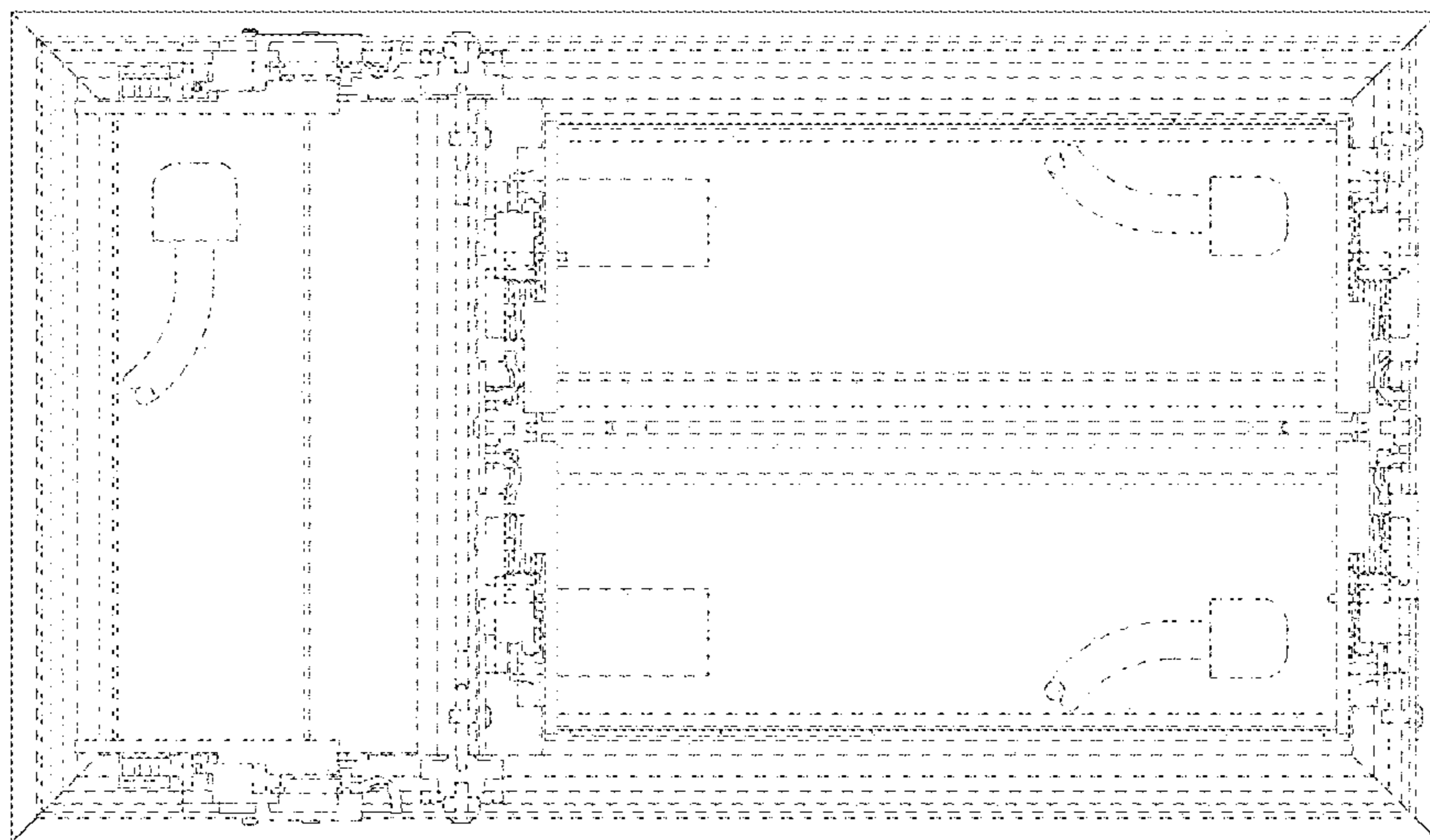


Fig. 20

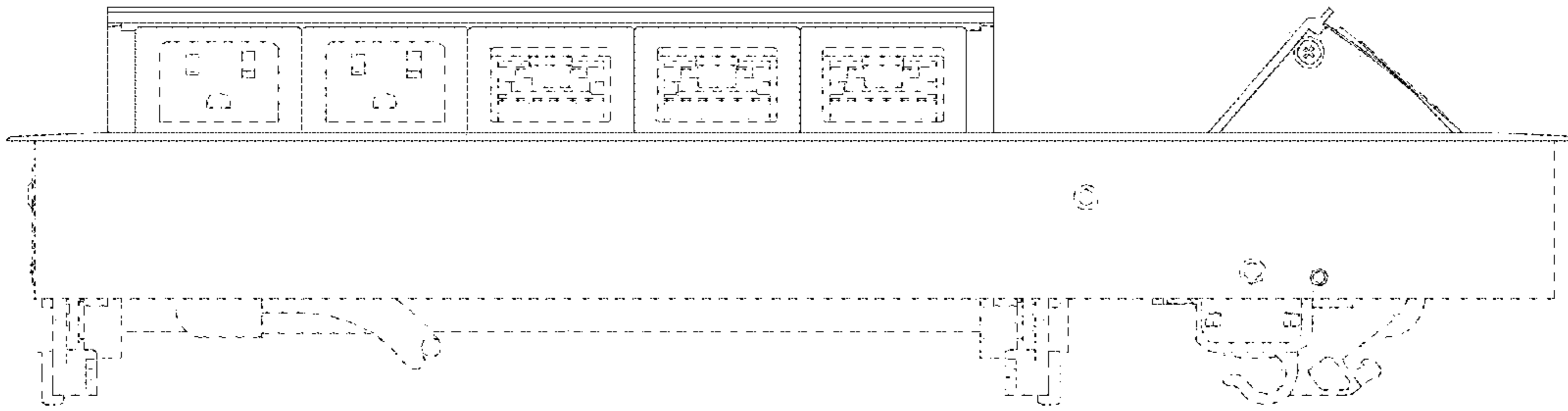


Fig. 21

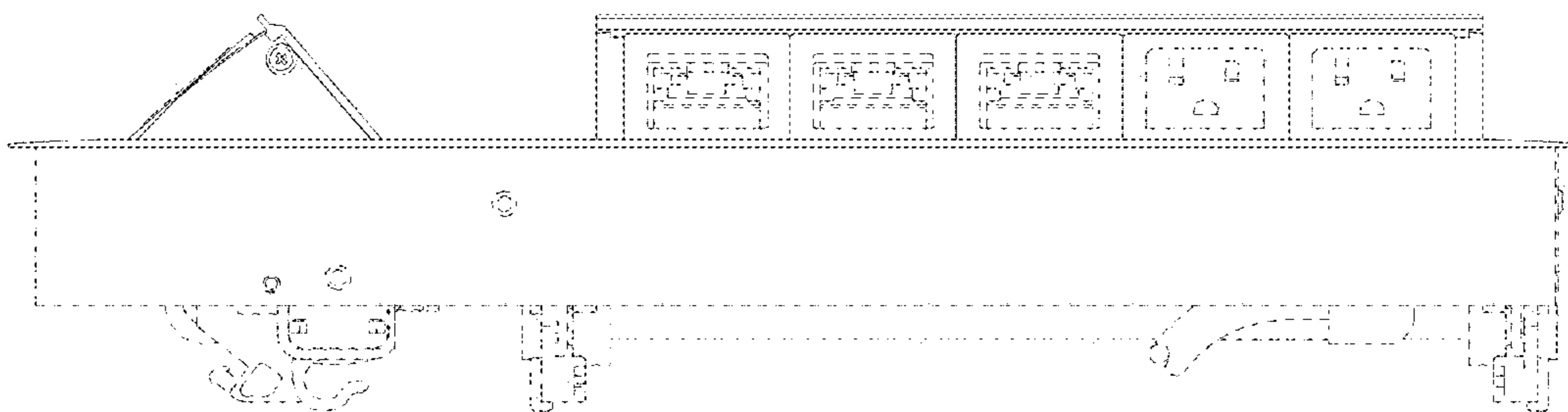


Fig. 22

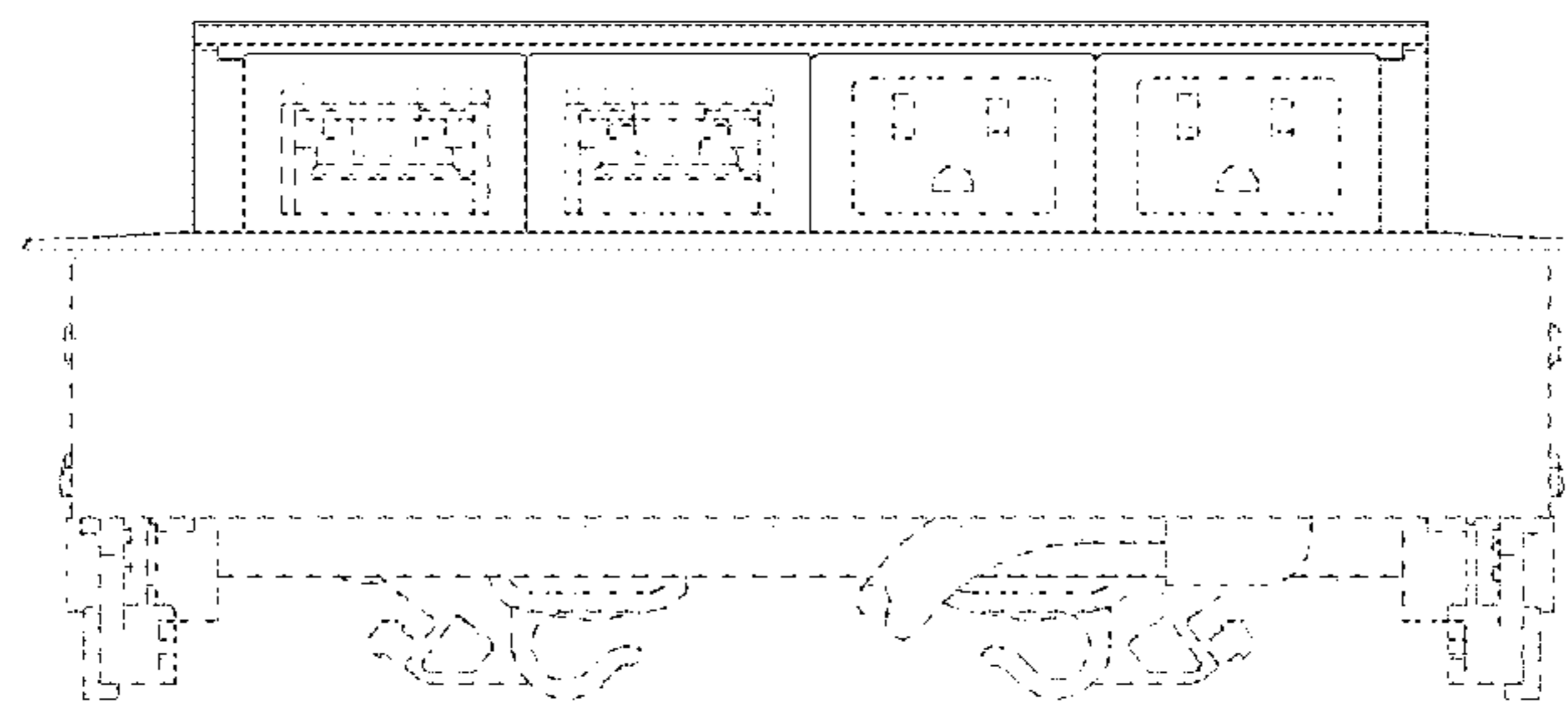


Fig. 23

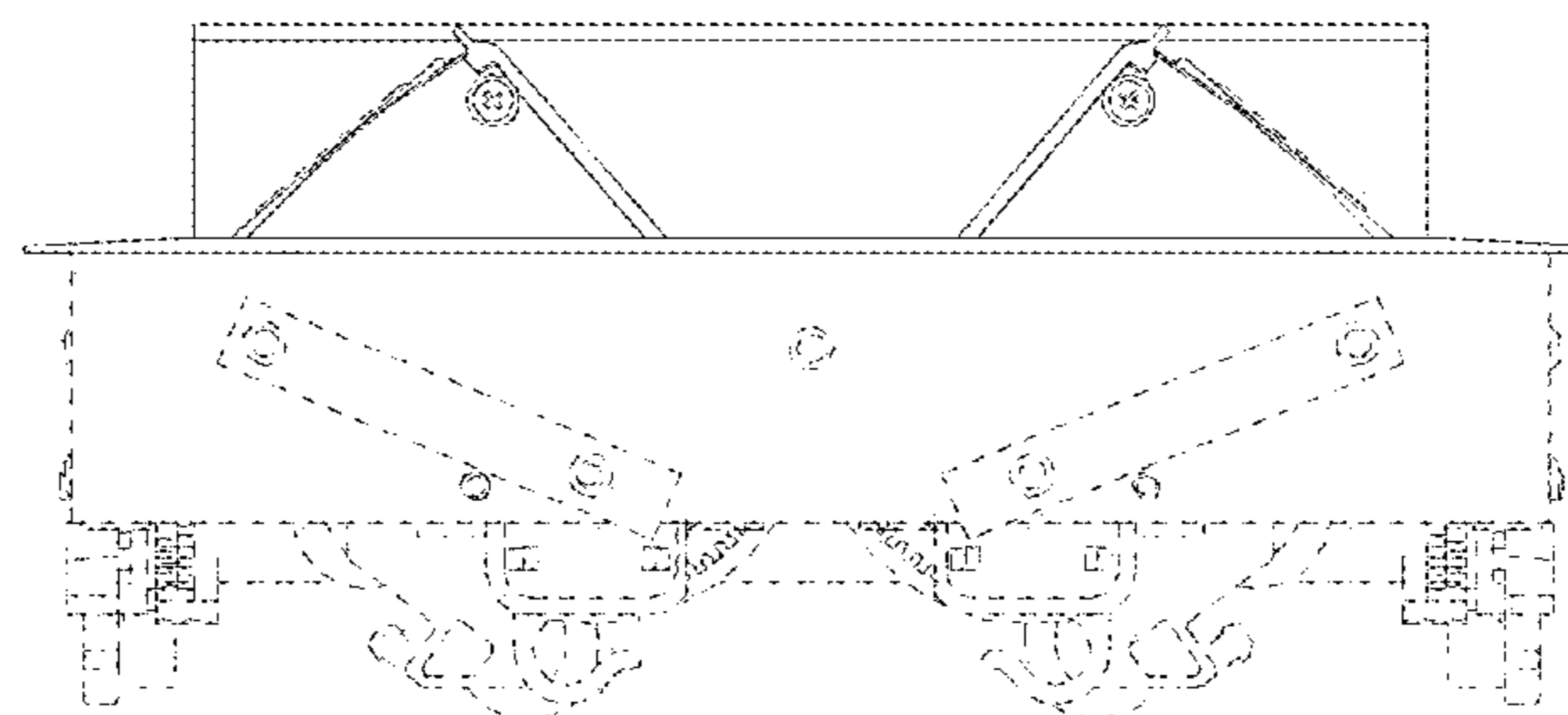


Fig. 24

UNITED STATES PATENT AND TRADEMARK OFFICE
CERTIFICATE OF CORRECTION

PATENT NO. : D709,832 S
APPLICATION NO. : 29/471683
DATED : July 29, 2014
INVENTOR(S) : Norman R. Byrne et al.

Page 1 of 11

It is certified that error appears in the above-identified patent and that said Letters Patent is hereby corrected as shown below:

Delete title page and substitute therefore with the attached title page.

Delete Drawing Sheets 1-9 and substitute therefore the attached Drawing Sheets 1-9. (FIGS. 1-24)

Signed and Sealed this
Twelfth Day of January, 2016



Michelle K. Lee
Director of the United States Patent and Trademark Office

(12) **United States Design Patent** (10) **Patent No.:** **US D709,832 S**
Byrne et al. (45) **Date of Patent:** **** Jul. 29, 2014**

(54) **POWER AND DATA CENTER**

OTHER PUBLICATIONS

(71) Applicants: **Norman R. Byrne**, Ada, MI (US);
Elizabeth A. Wirgau, Kent City, MI
 (US); **Randell E. Pate**, Jenison, MI (US)

Co-pending and commonly-owned Design U.S. Appl. No. 29/471,685, filed Nov. 4, 2013.

* cited by examiner

(72) Inventors: **Norman R. Byrne**, Ada, MI (US);
Elizabeth A. Wirgau, Kent City, MI
 (US); **Randell E. Pate**, Jenison, MI (US)

Primary Examiner Robert M Spear
Assistant Examiner — Rhea Shields
 (74) *Attorney, Agent, or Firm* — Gardner, Linn, Burkhardt & Flory, LLP

(**) Term: **14 Years**

(21) Appl. No.: **29/471,683**

(57) **CLAIM**
 The ornamental design for a power and data center, as shown and described.

(22) Filed: **Nov. 4, 2013**

(51) **LOC (10) Cl.** **13-03**

(52) **U.S. Cl.**
 USPC **D13/139.4**

(58) **Field of Classification Search**
 USPC D13/139.1, 107, 109, 110, 112, 114,
 D13/130, 131, 132, 133, 137, 137.1, 137.2,
 D13/137.3, 137.4, 138.1, 139.2, 139.4,
 D13/139.5, 139.7, 139.8, 146, 147, 151,
 D13/152, 160, 161, 162, 164, 199; D26/2,
 D26/3, 64, 75; 313/331, 357, 422
 See application file for complete search history.

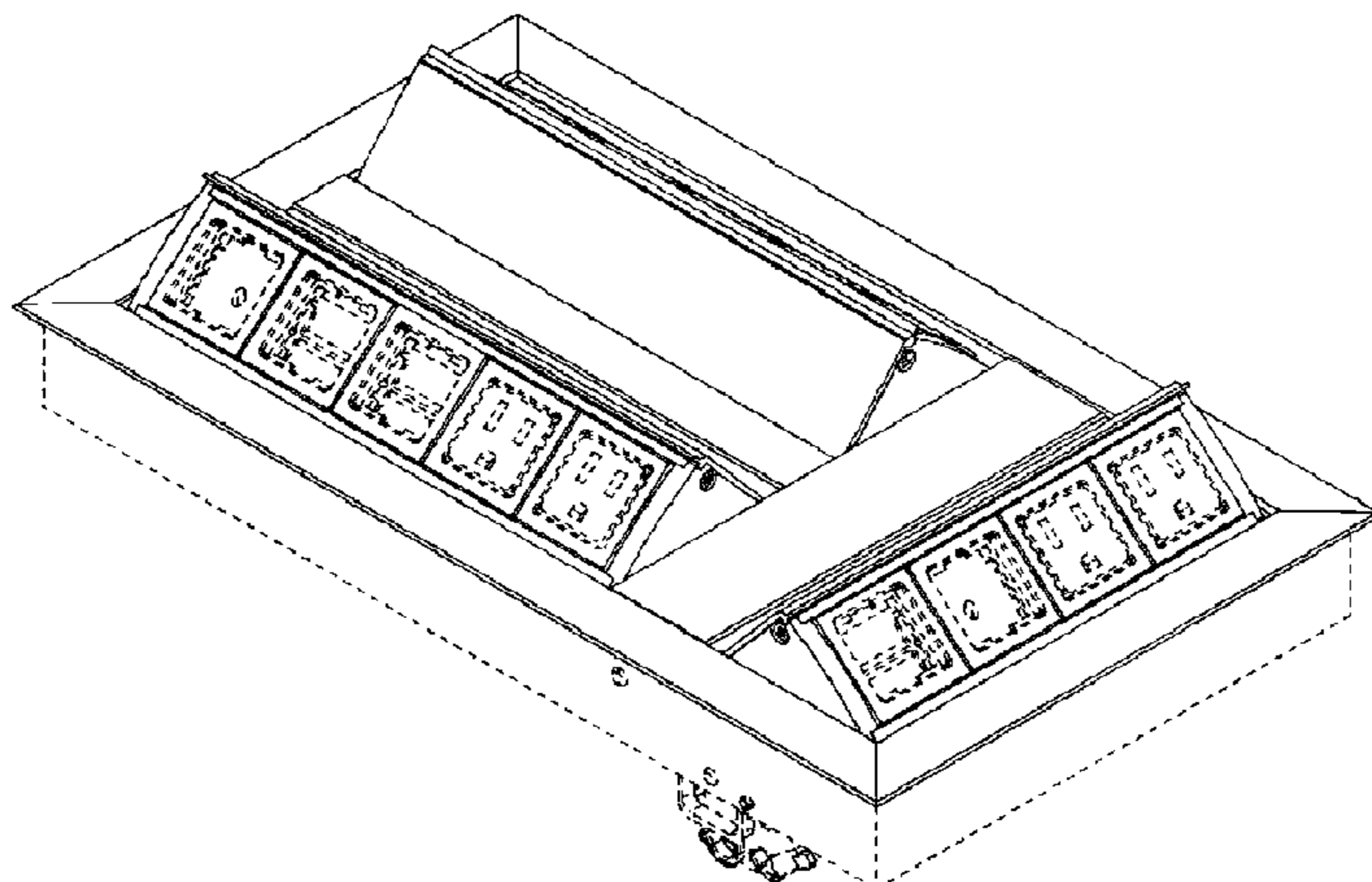
DESCRIPTION

FIG. 1 is a perspective view of a power and data center showing our new design in a fully-closed configuration; FIG. 2 is another perspective view of the power and data center, shown in a partially-open configuration; FIG. 3 is another perspective view of the power and data center of FIG. 2; FIG. 4 is another perspective view of the power and data center, shown in another partially-open configuration; FIG. 5 is another perspective view of the power and data center, shown in another partially-open configuration; FIG. 6 is another perspective view of the power and data center, shown in a fully-open configuration; FIG. 7 is a top plan view of the power and data center of FIG. 1; FIG. 8 is a bottom plan view of the power and data center of FIG. 1; FIG. 9 is a right side elevation of the power and data center of FIG. 1; FIG. 10 is a left side elevation of the power and data center of FIG. 1; FIG. 11 is a front end elevation of the power and data center of FIG. 1; FIG. 12 is a rear end elevation of the power and data center of FIG. 1; FIG. 13 is a top plan view of the power and data center of FIGS. 2 and 3;

(56) **References Cited**

U.S. PATENT DOCUMENTS

D437,827	S *	2/2001	Gershfeld	D13/139.4
D454,541	S *	3/2002	Gershfeld	D13/139.4
D455,123	S *	4/2002	Gershfeld	D13/139.4
D455,716	S *	4/2002	Gershfeld	D13/139.4
D466,868	S *	12/2002	Gershfeld	D13/139.4
D537,785	S *	3/2007	Pincek	D13/139.4
D556,139	S *	11/2007	Gershfeld	D13/139.4
D626,070	S *	10/2010	Byrne	D13/139.4
D657,315	S *	4/2012	Feldstein et al.	D13/139.4
D665,355	S *	8/2012	Byrne	D13/139.4
8,287,292	B2	10/2012	Byrne		
D682,213	S *	5/2013	Byrne et al.	D13/139.4
D685,329	S *	7/2013	Byrne et al.	D13/139.4



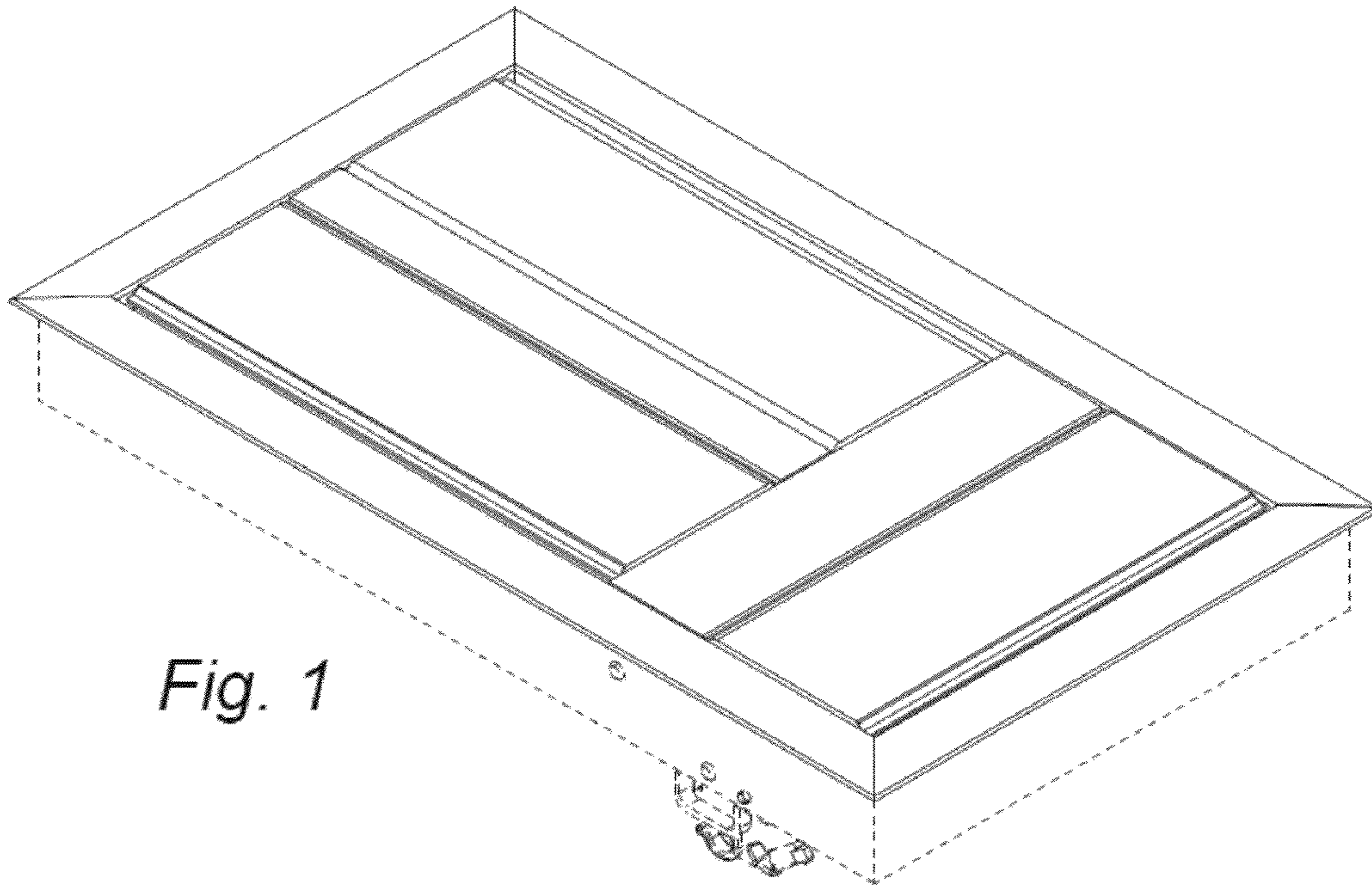


Fig. 1

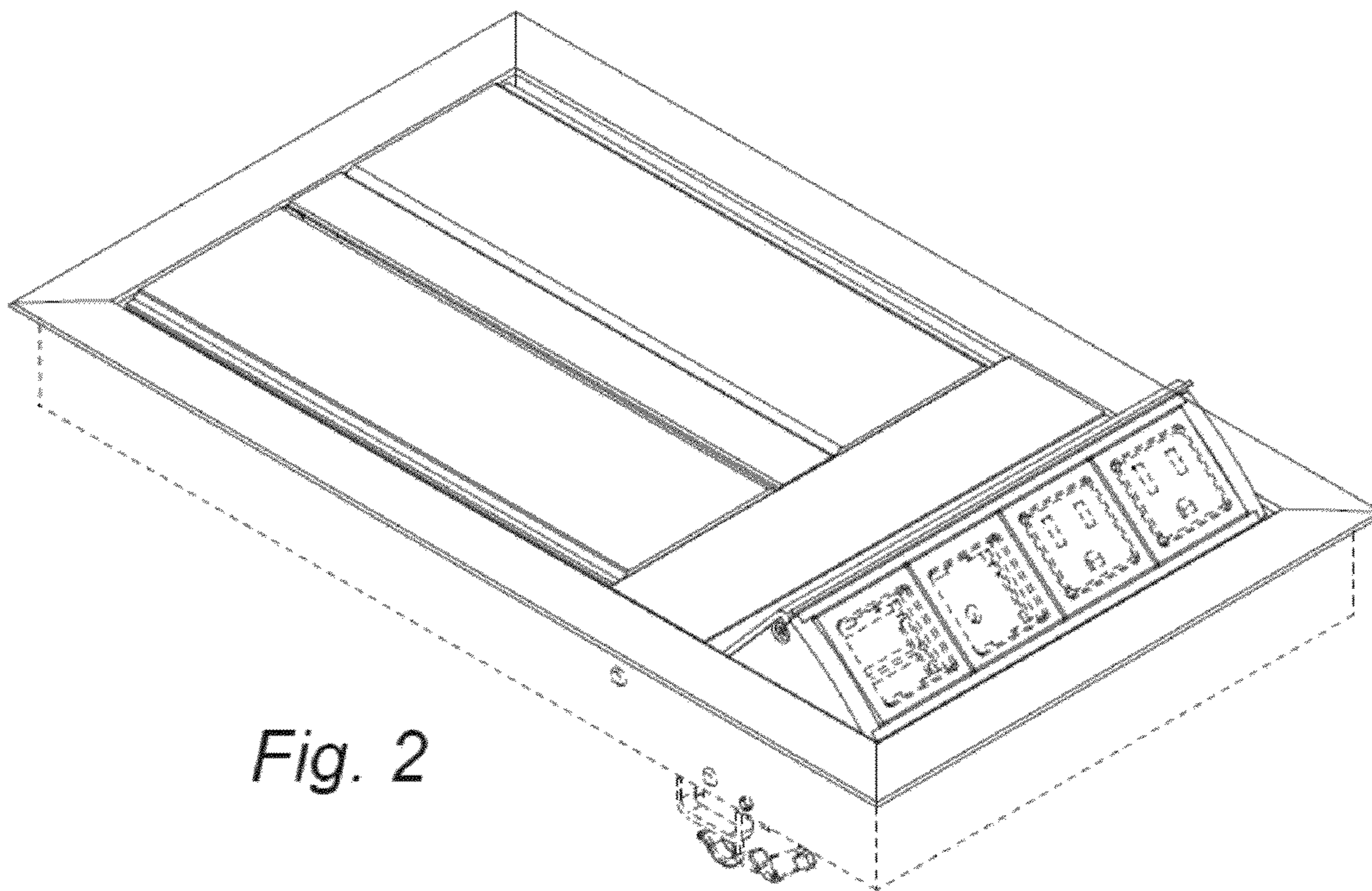


Fig. 2

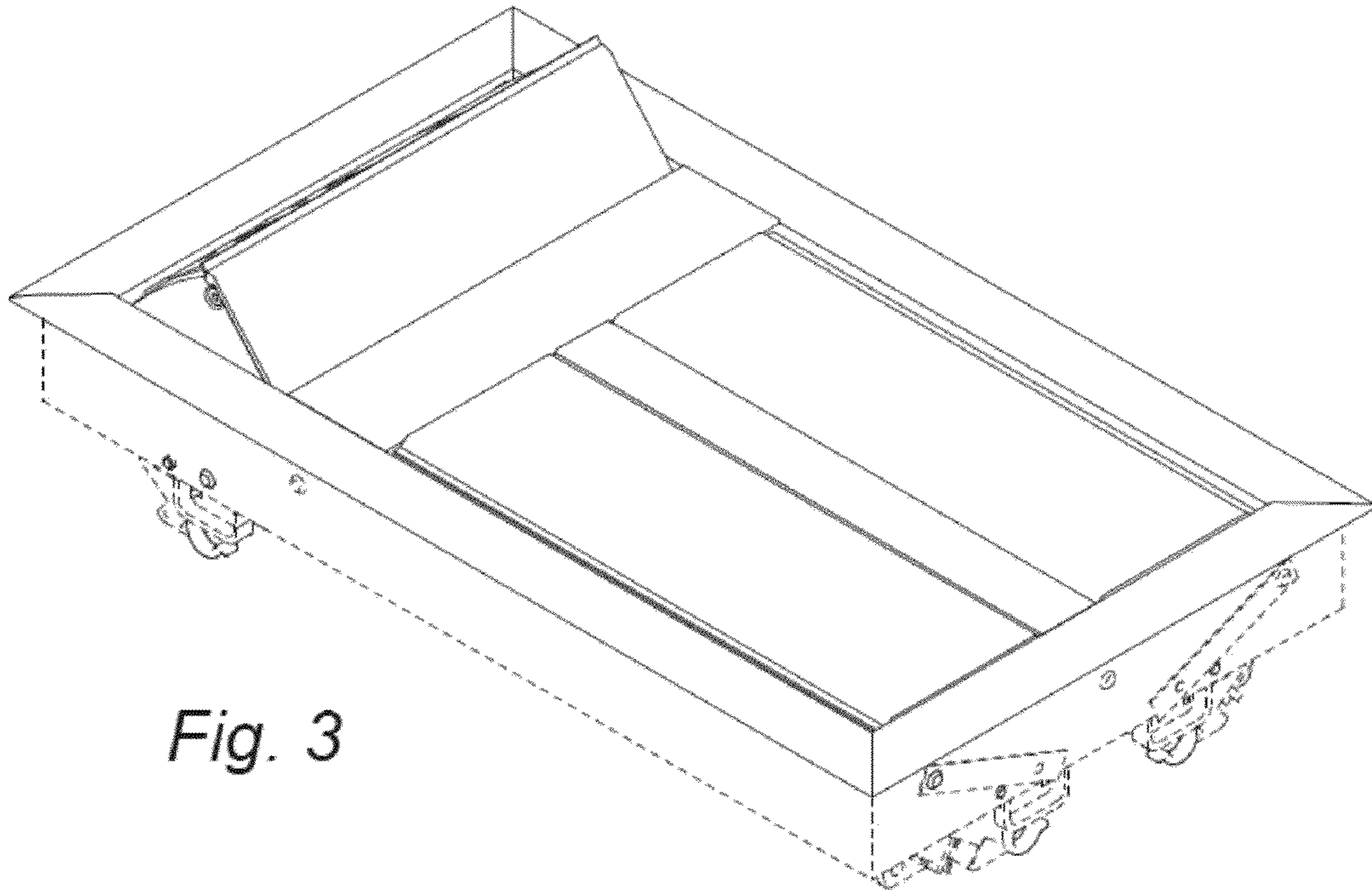


Fig. 3

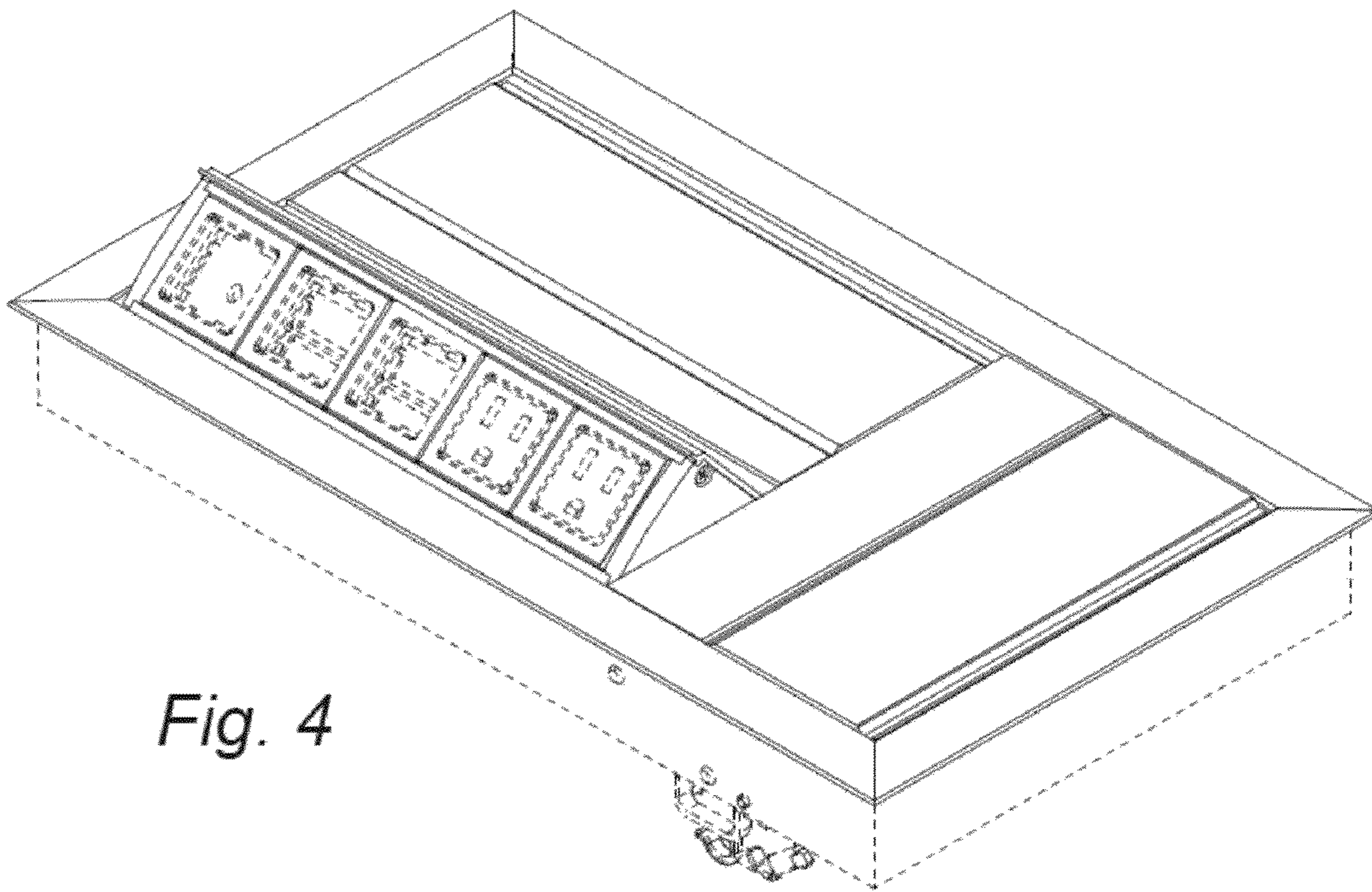


Fig. 4

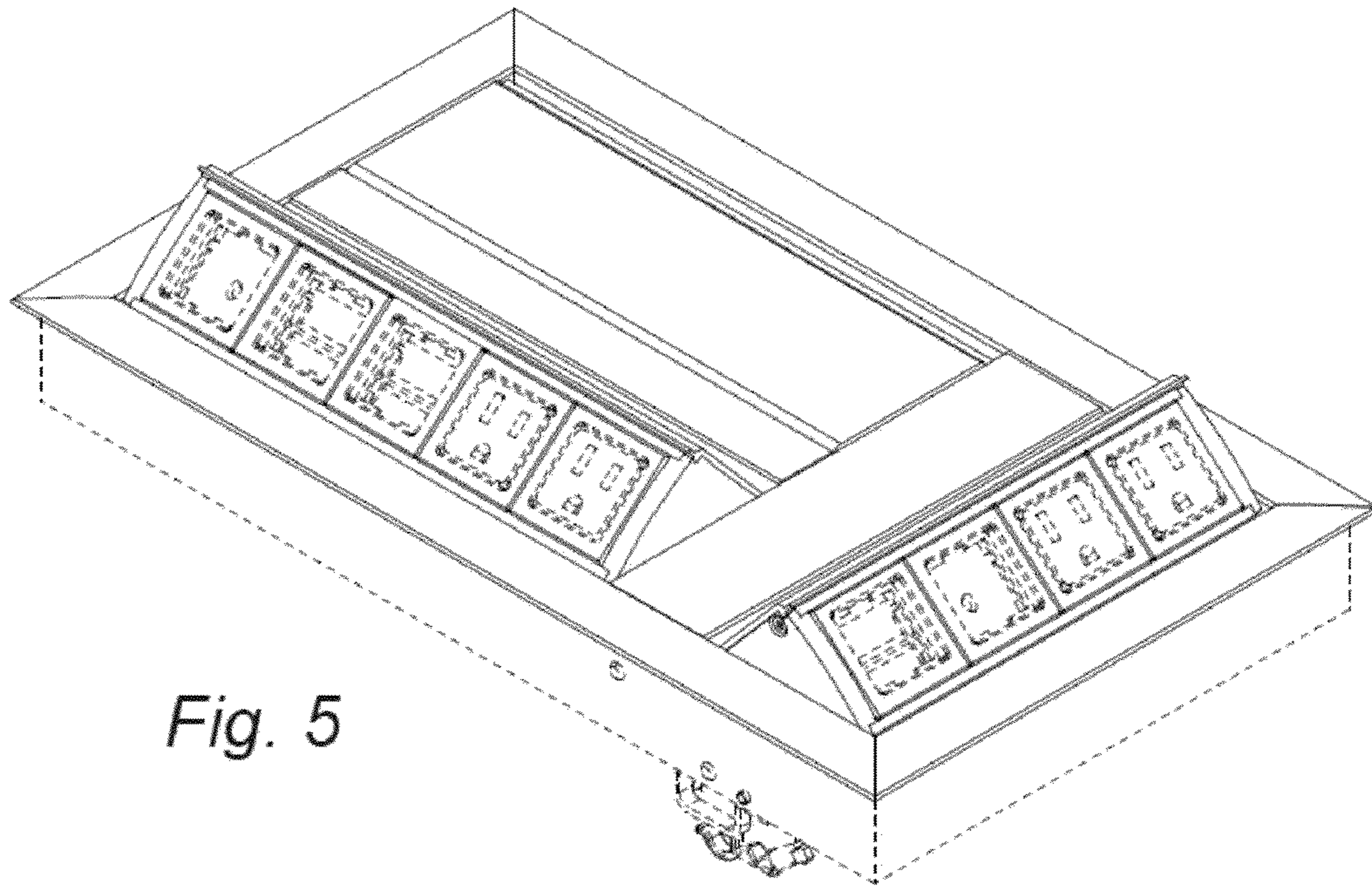


Fig. 5

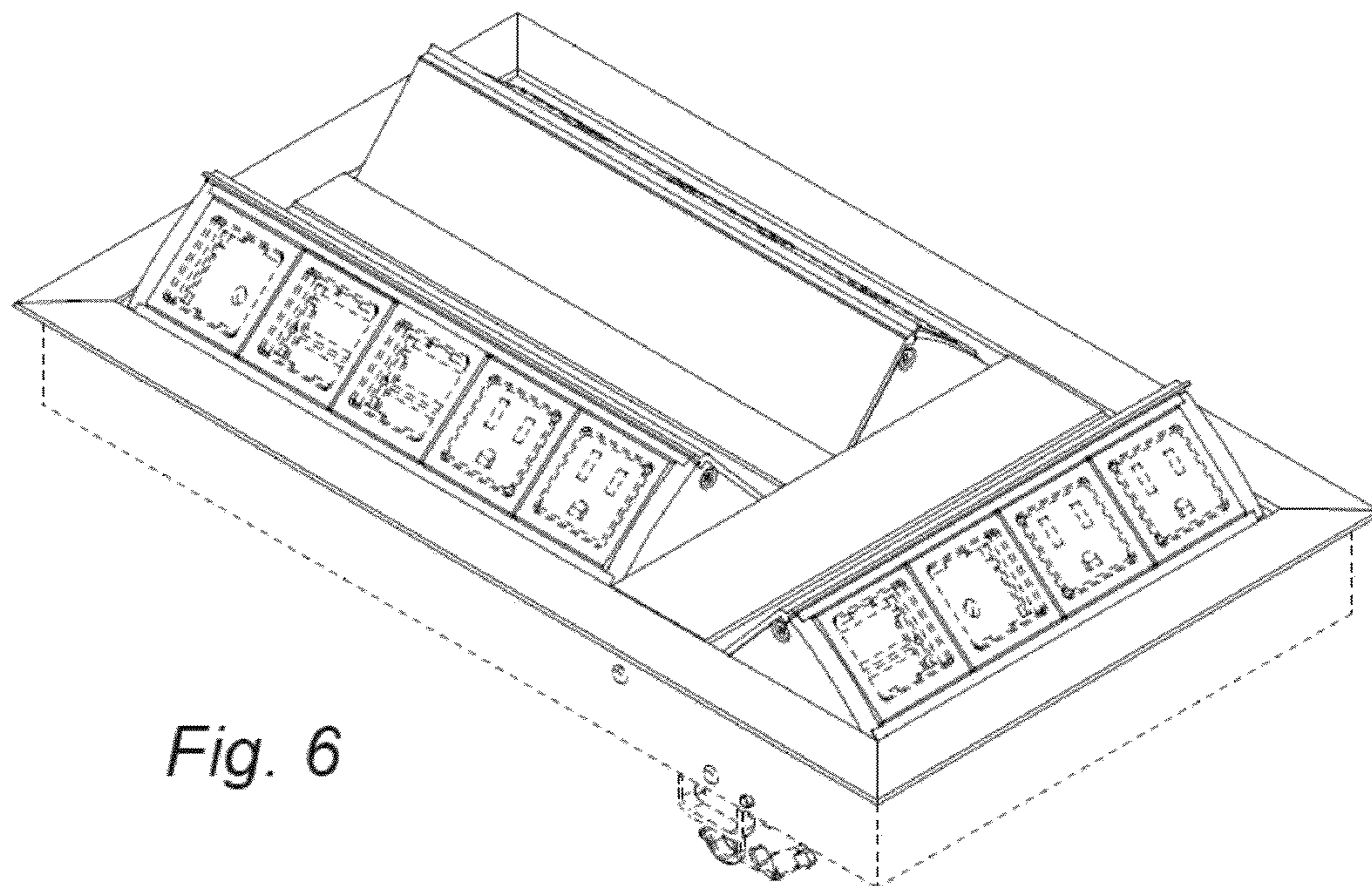


Fig. 6

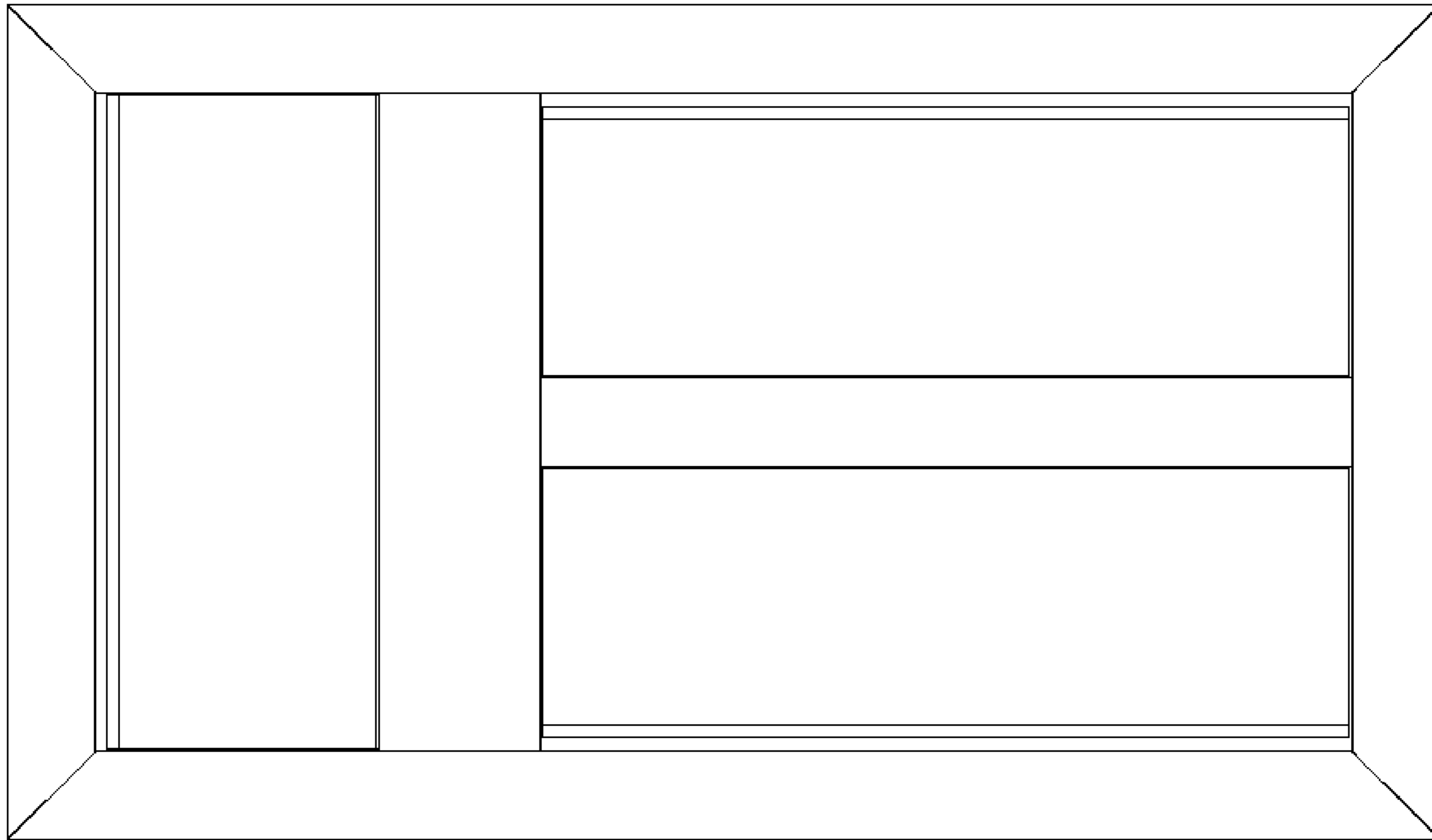


Fig. 7

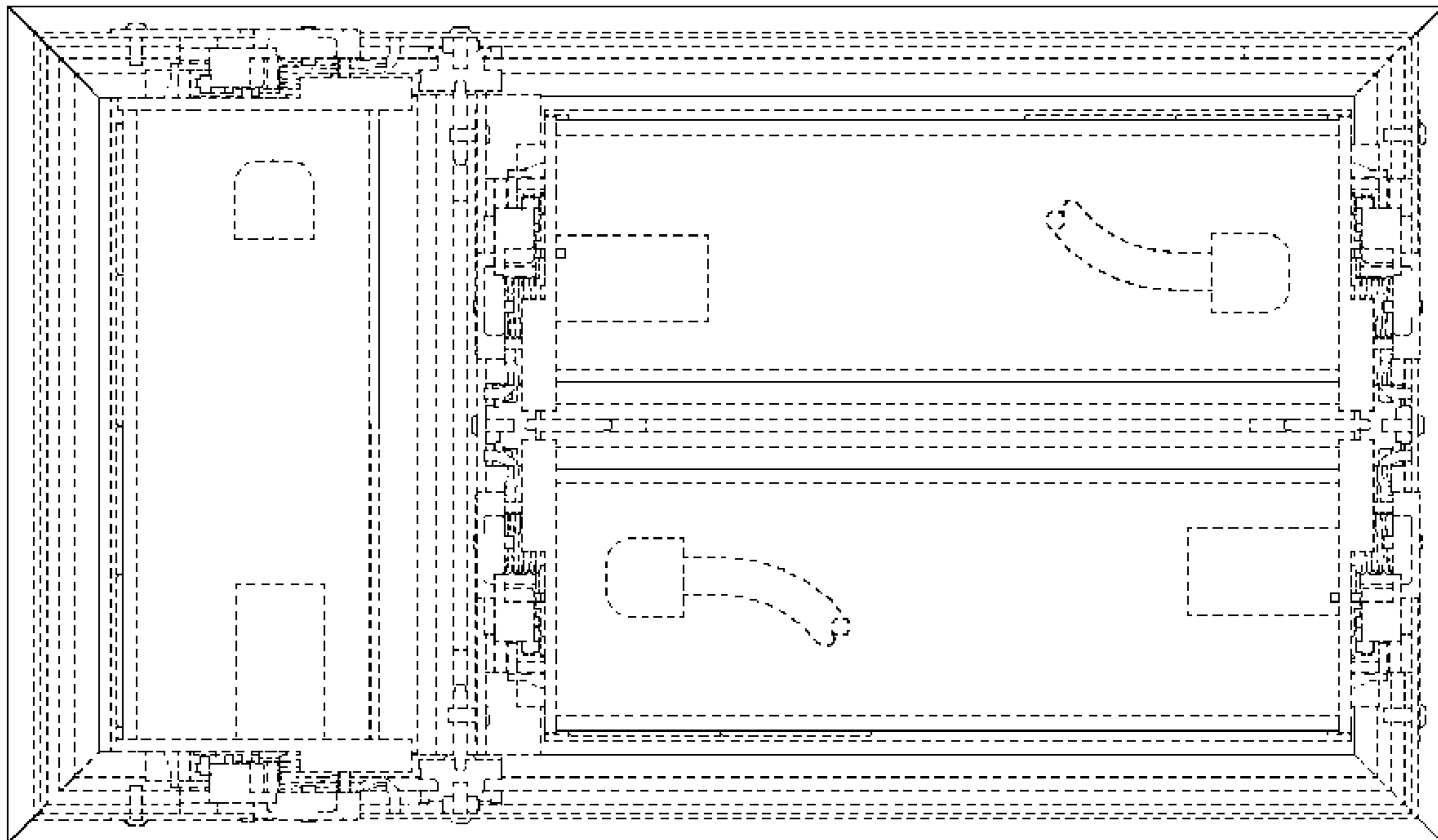


Fig. 8

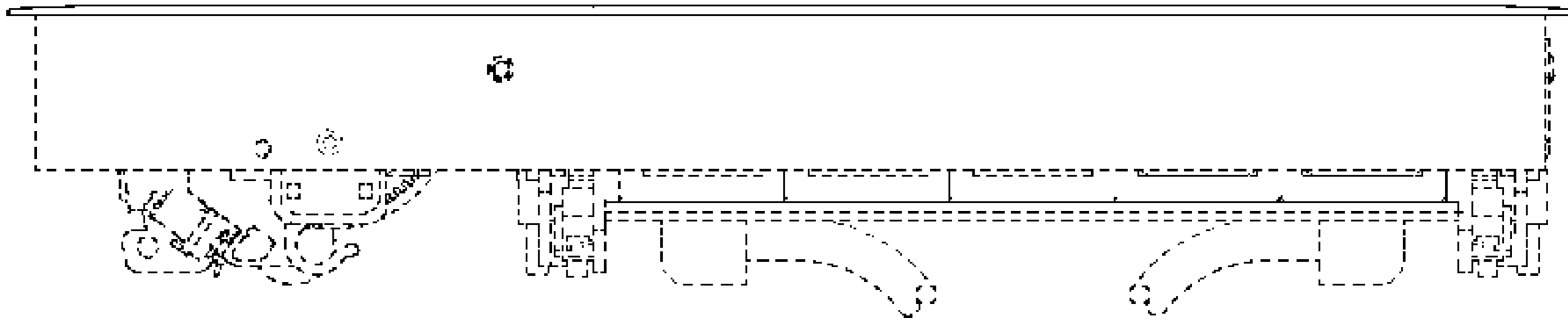


Fig. 9

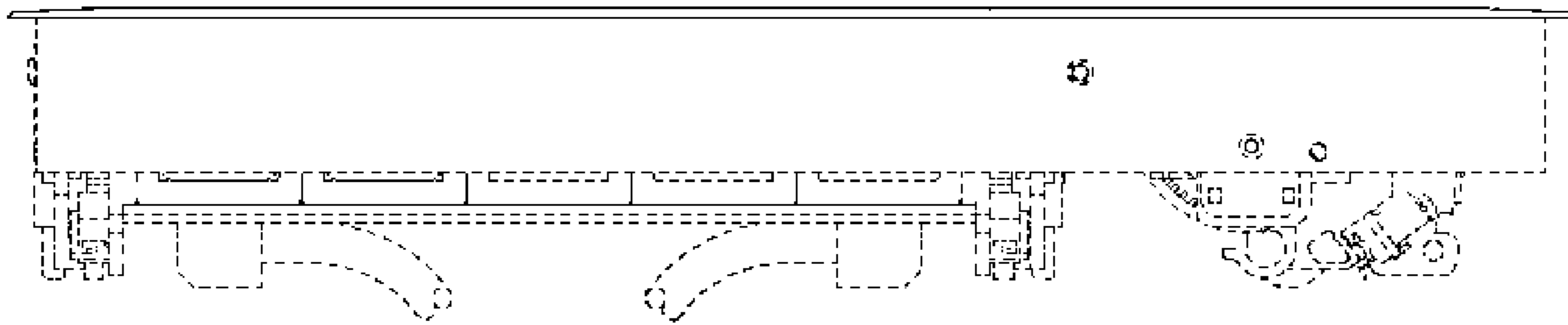


Fig. 10

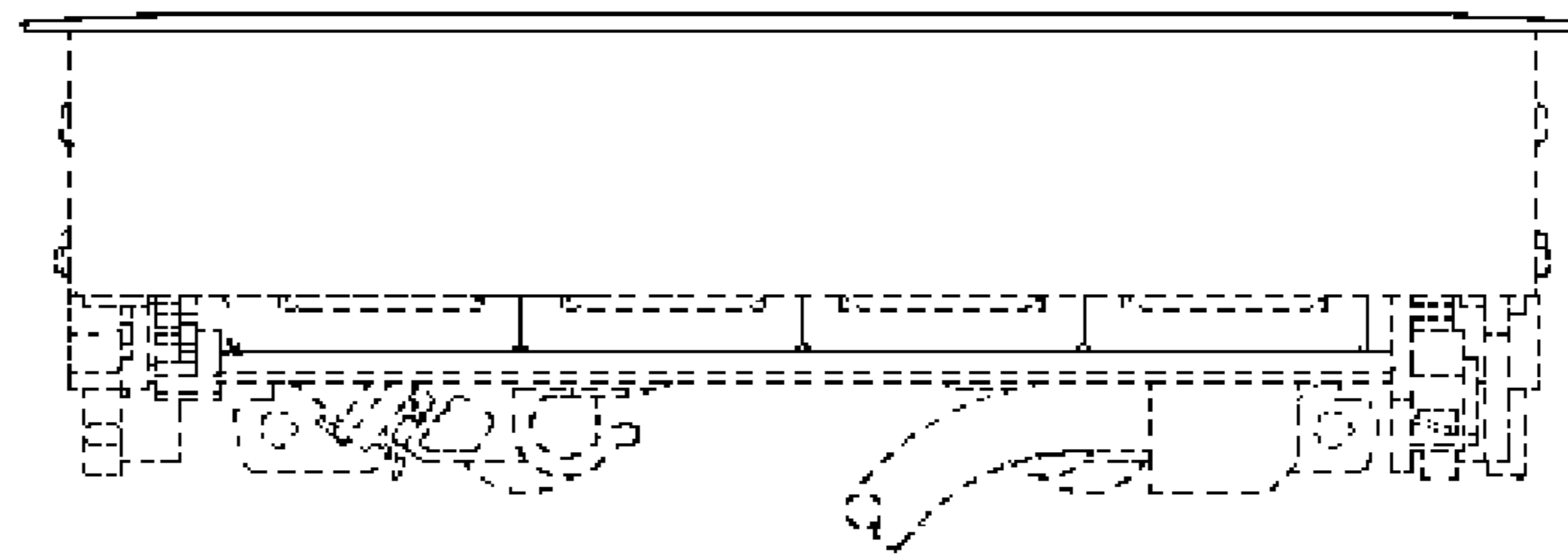


Fig. 11

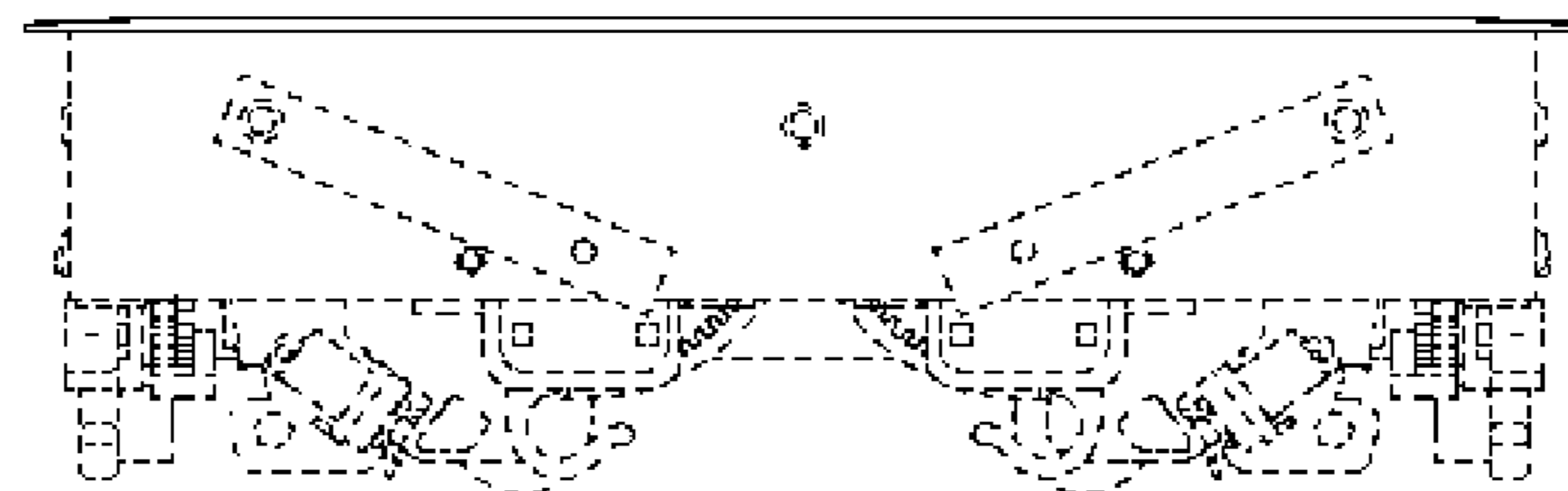


Fig. 12

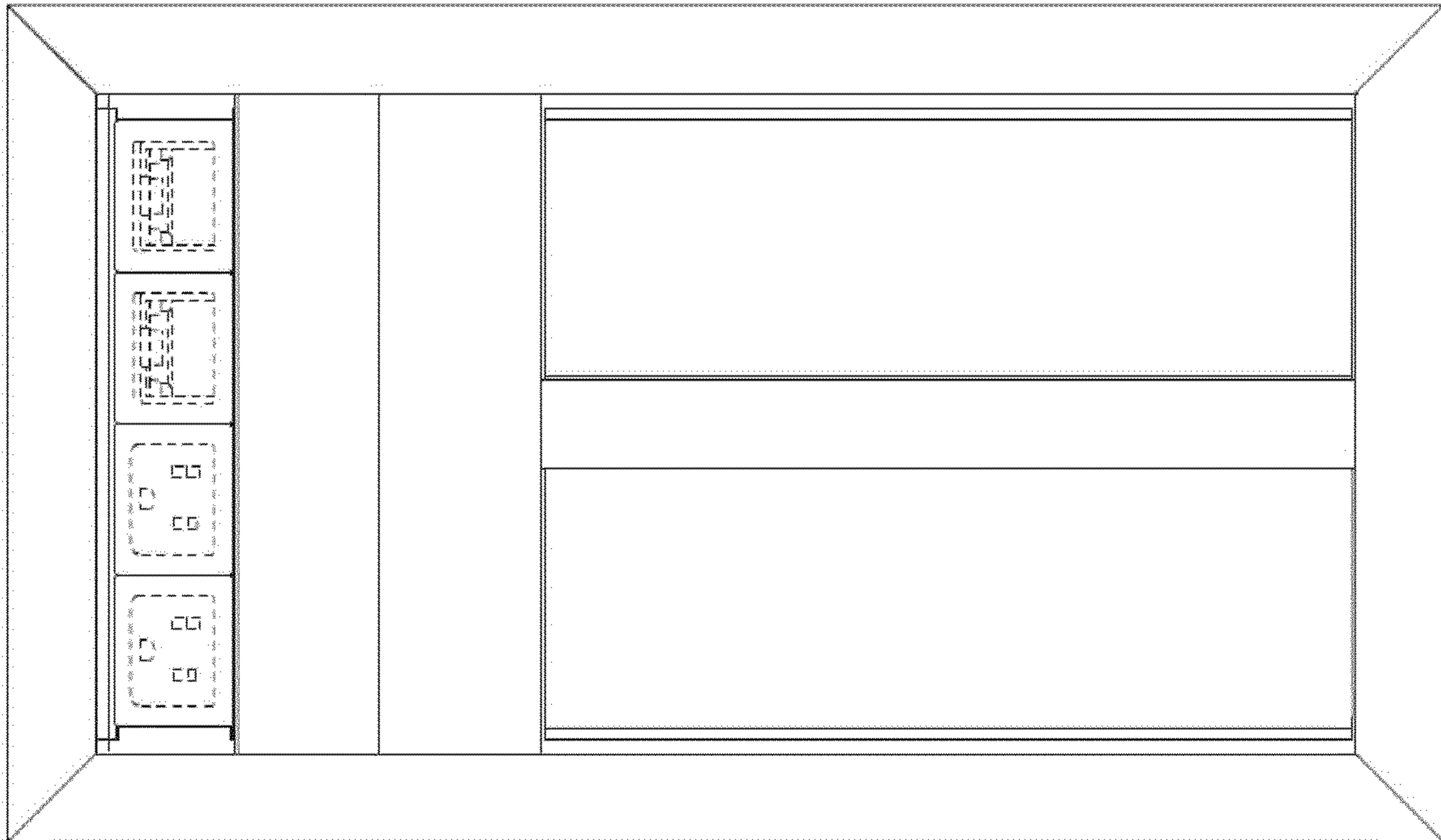


Fig. 13

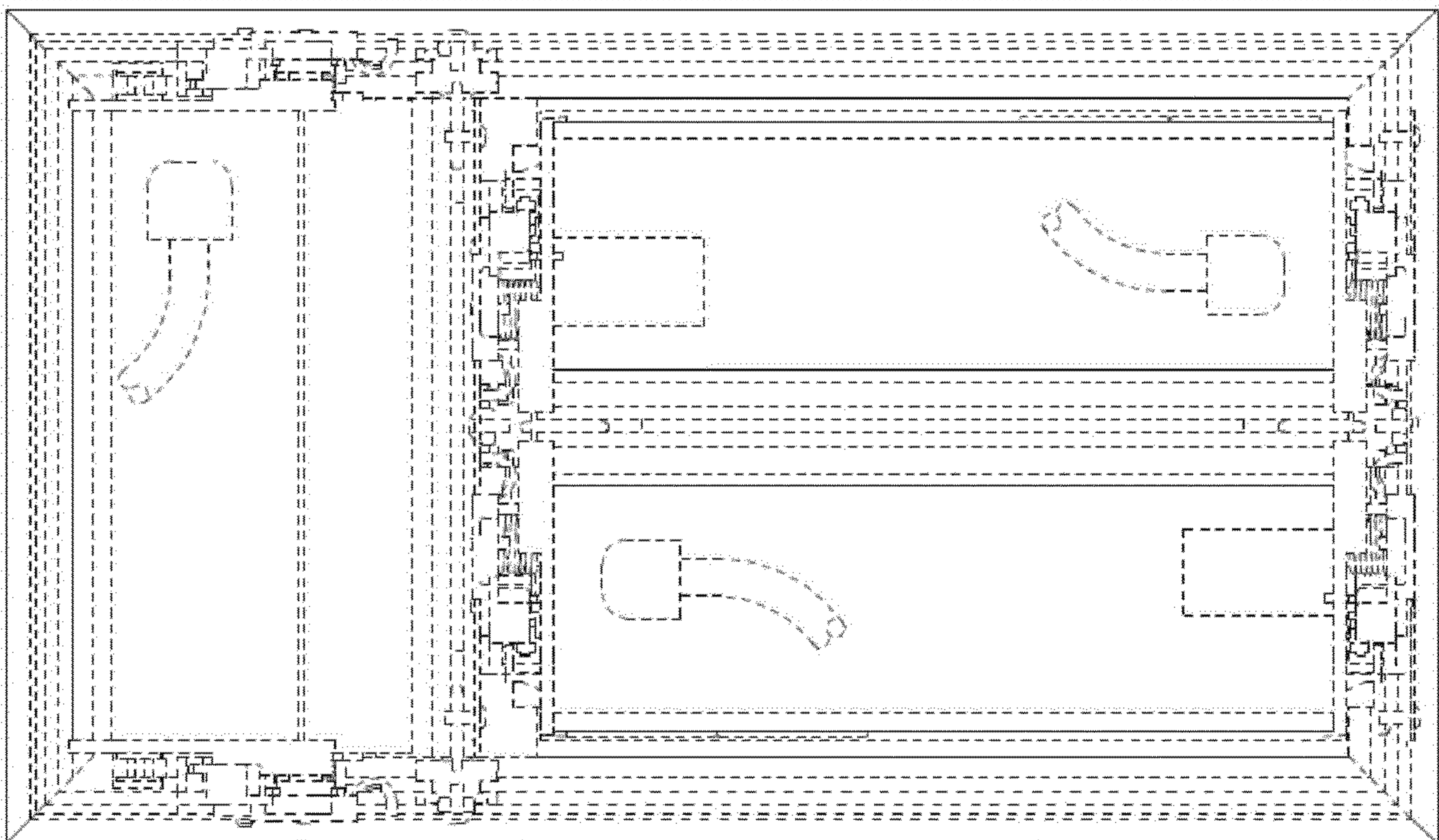


Fig. 14

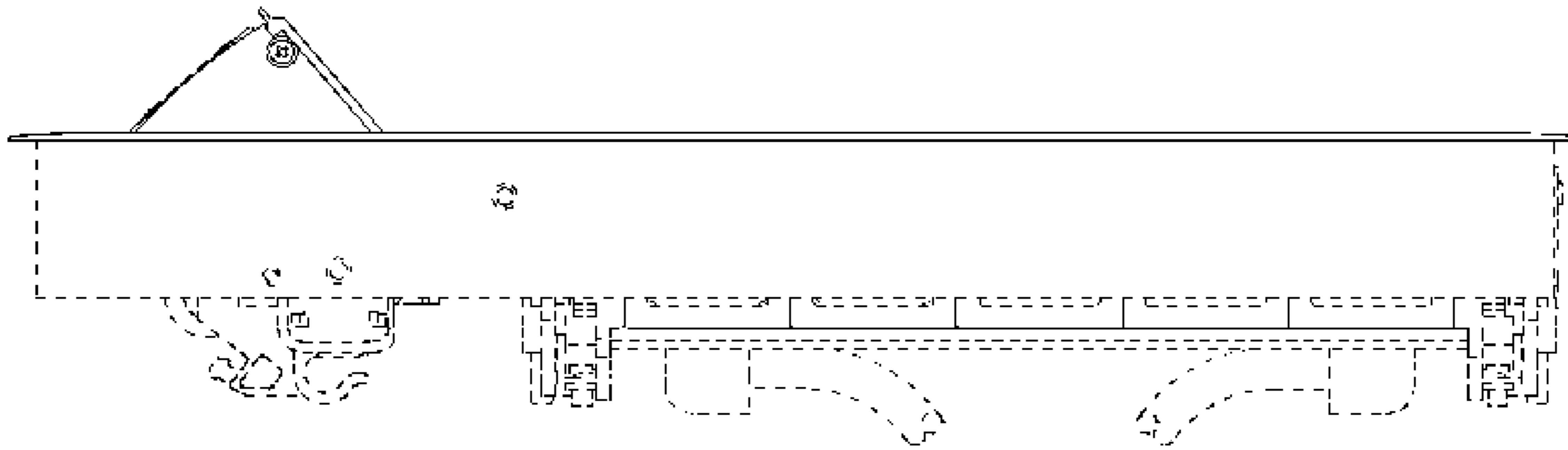


Fig. 15

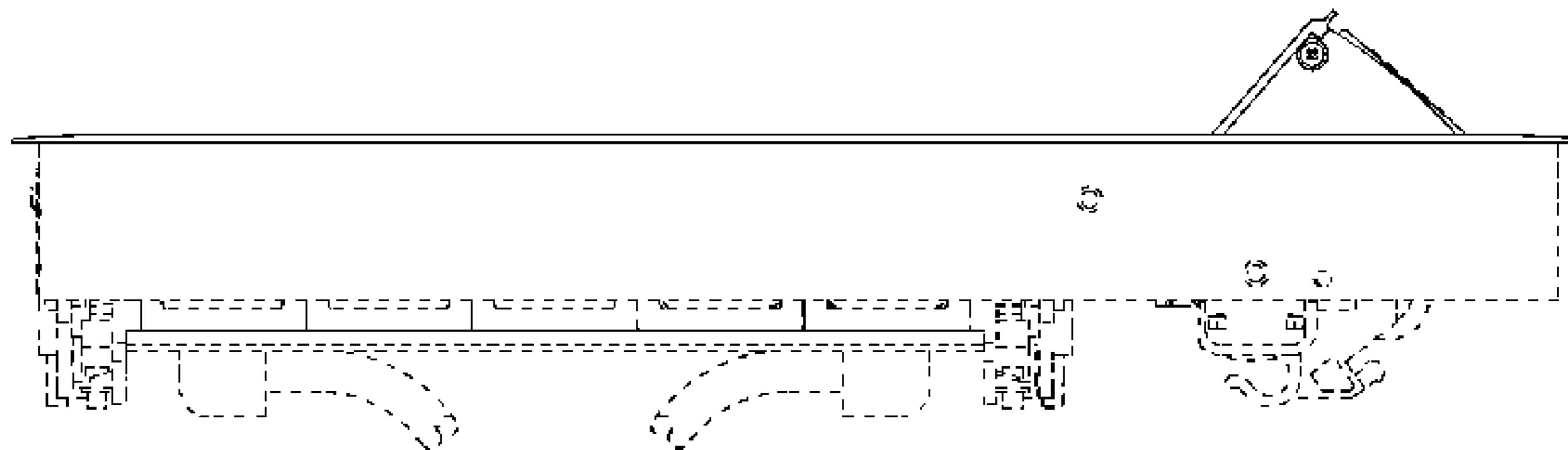


Fig. 16

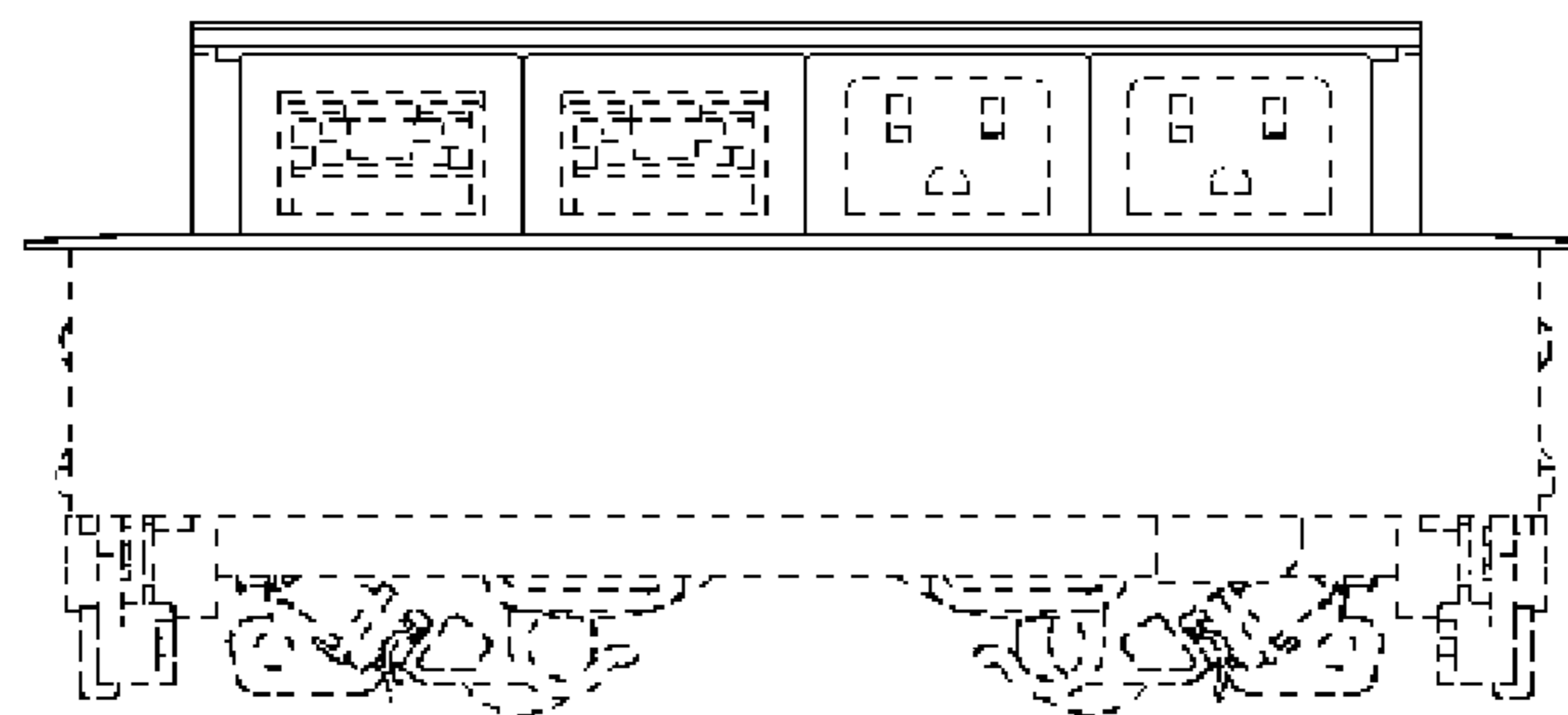


Fig. 17

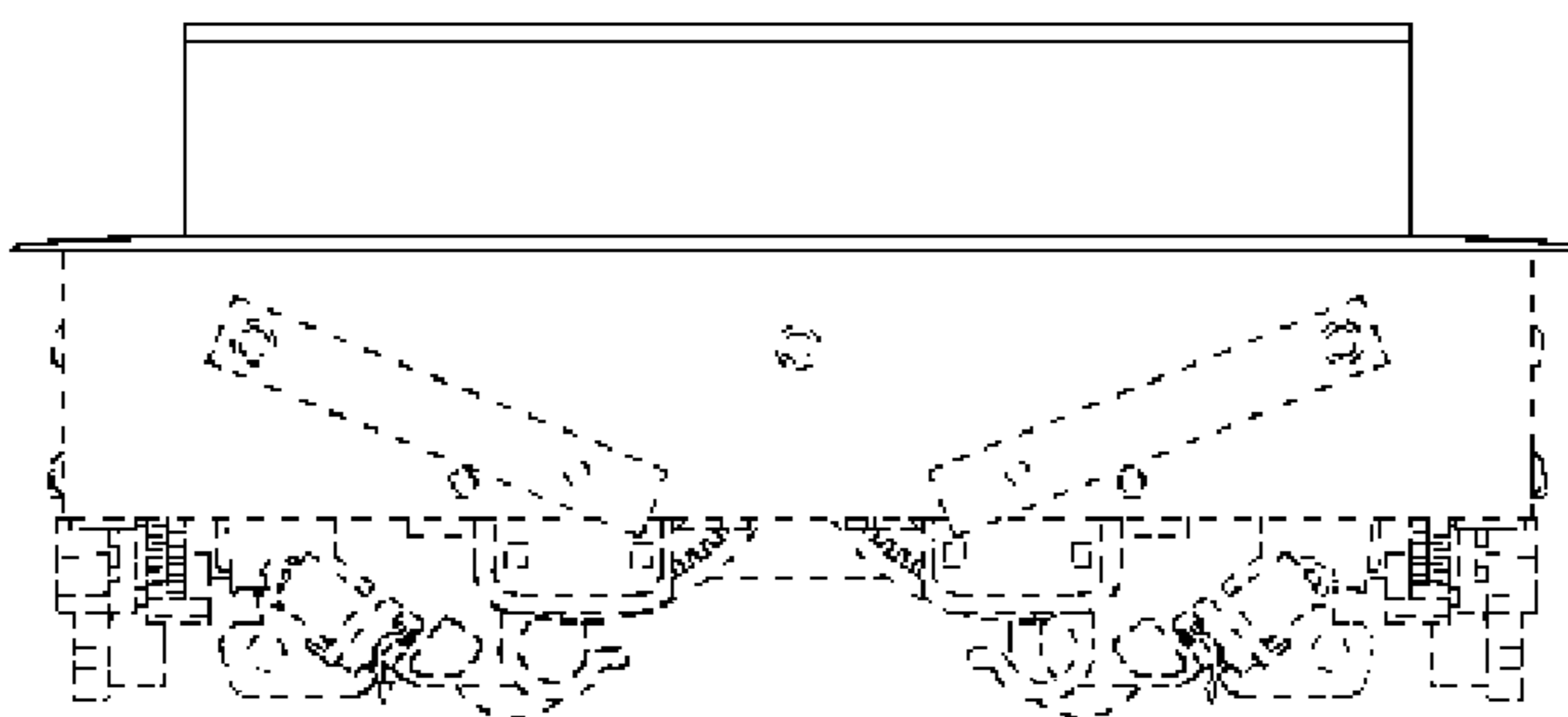


Fig. 18

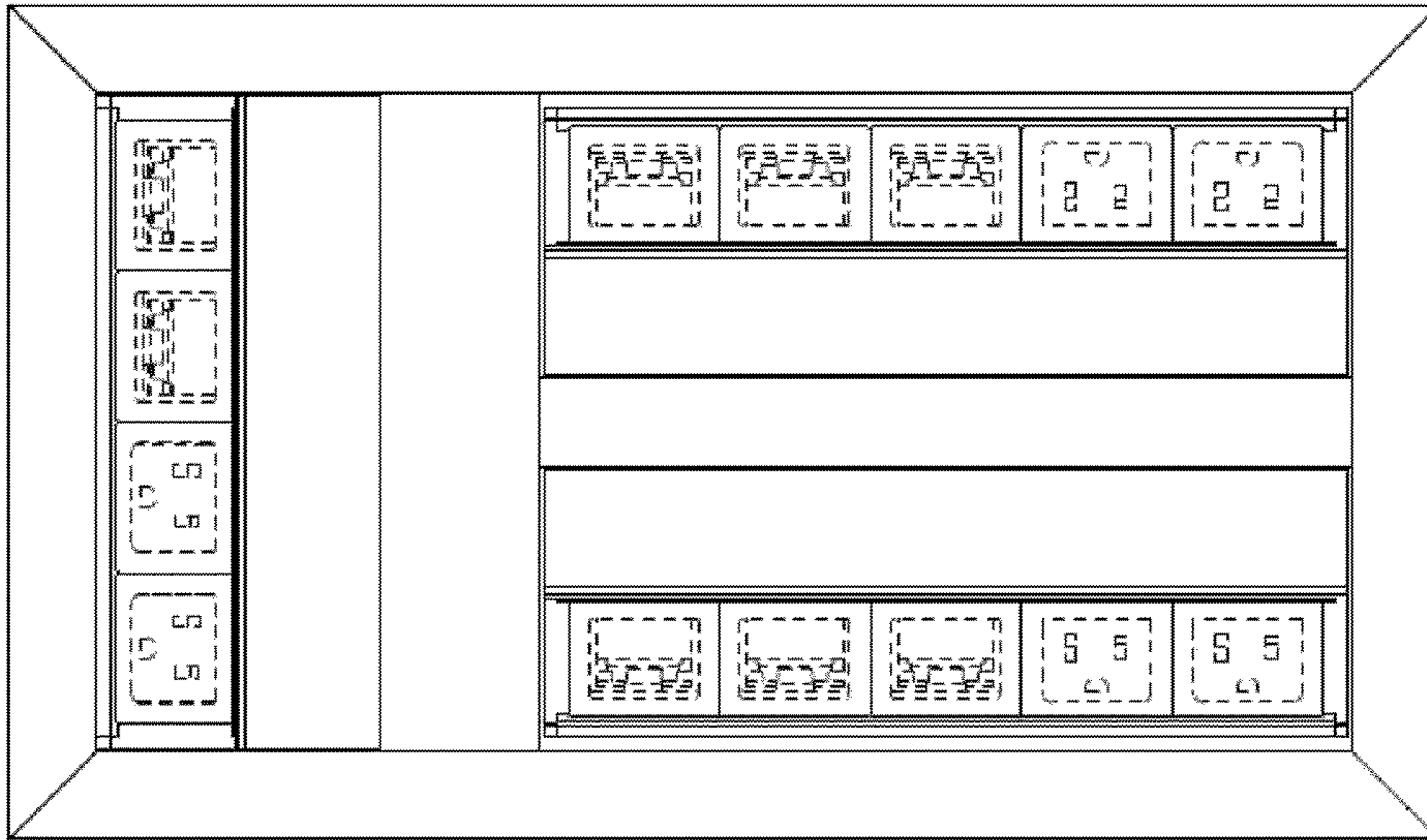


Fig. 19

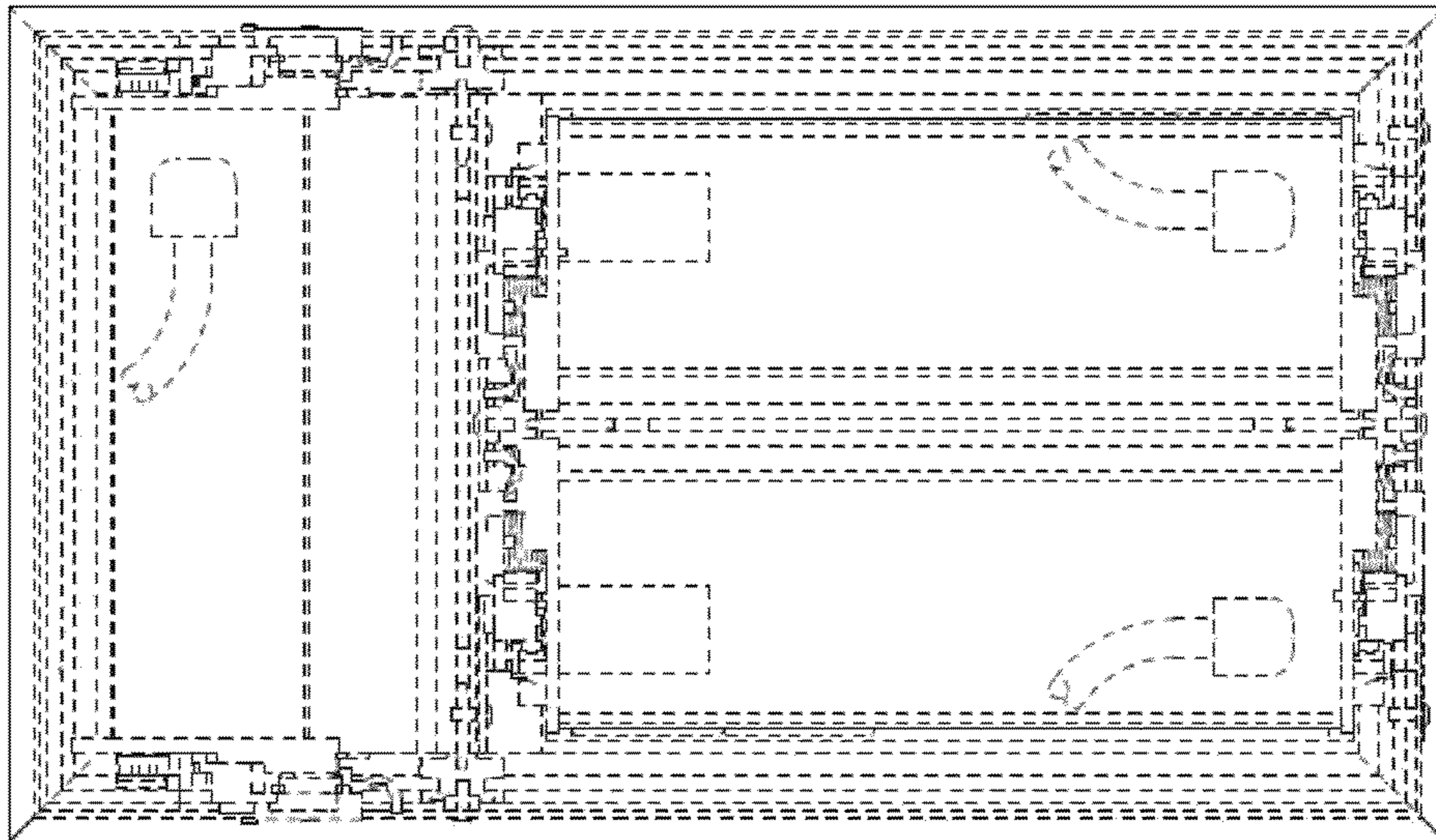


Fig. 20

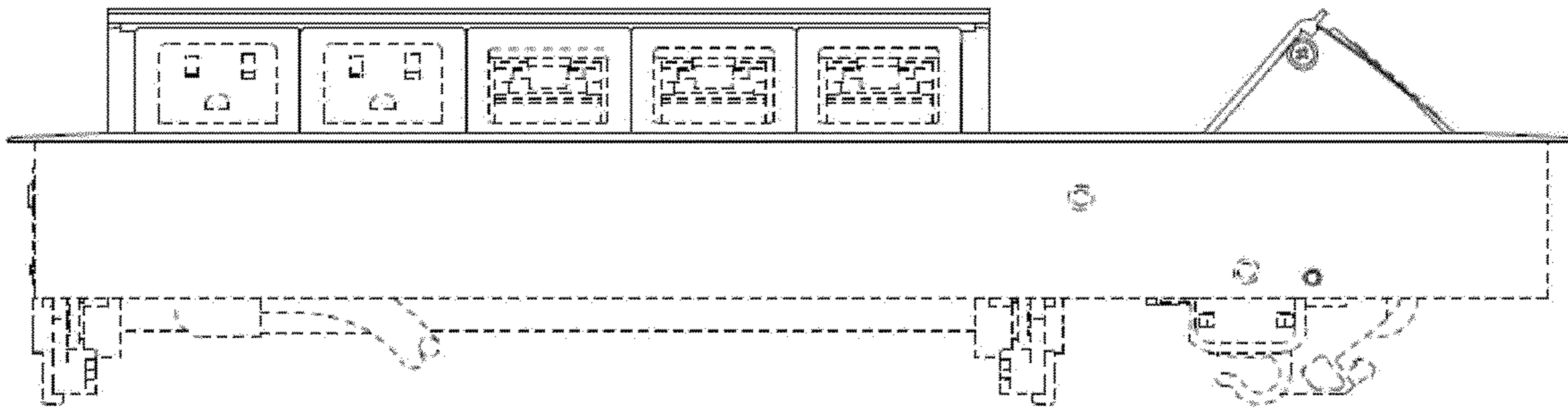


Fig. 21

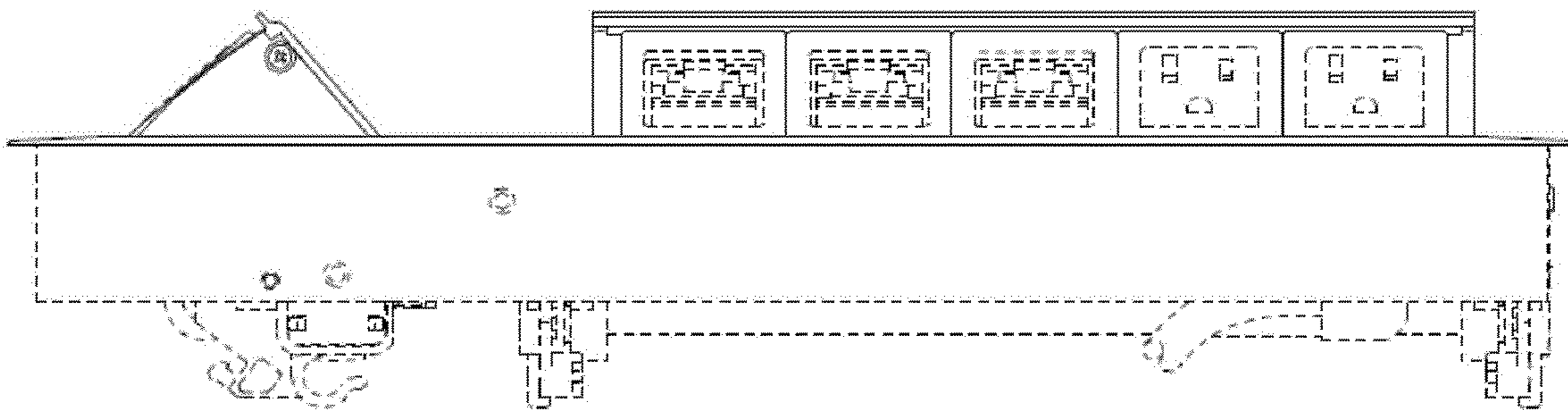


Fig. 22

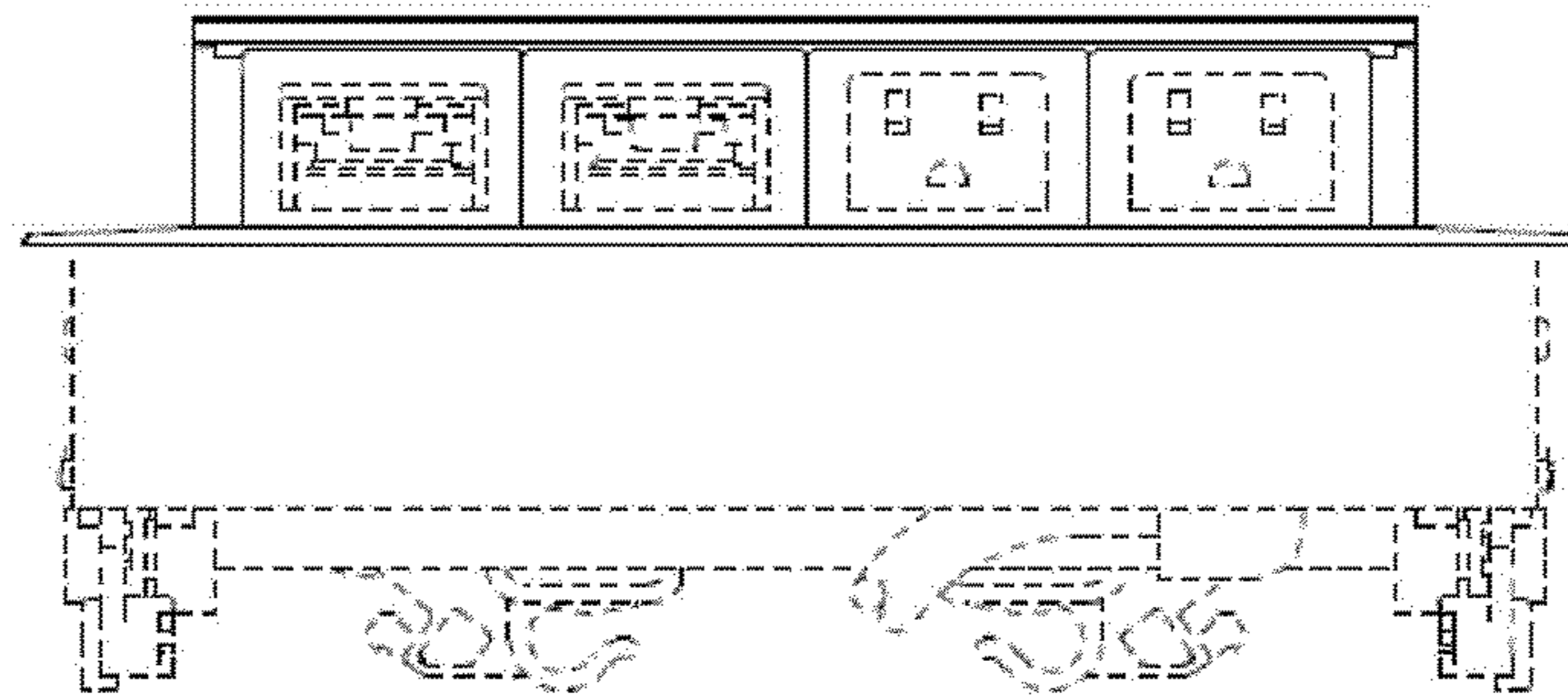


Fig. 23

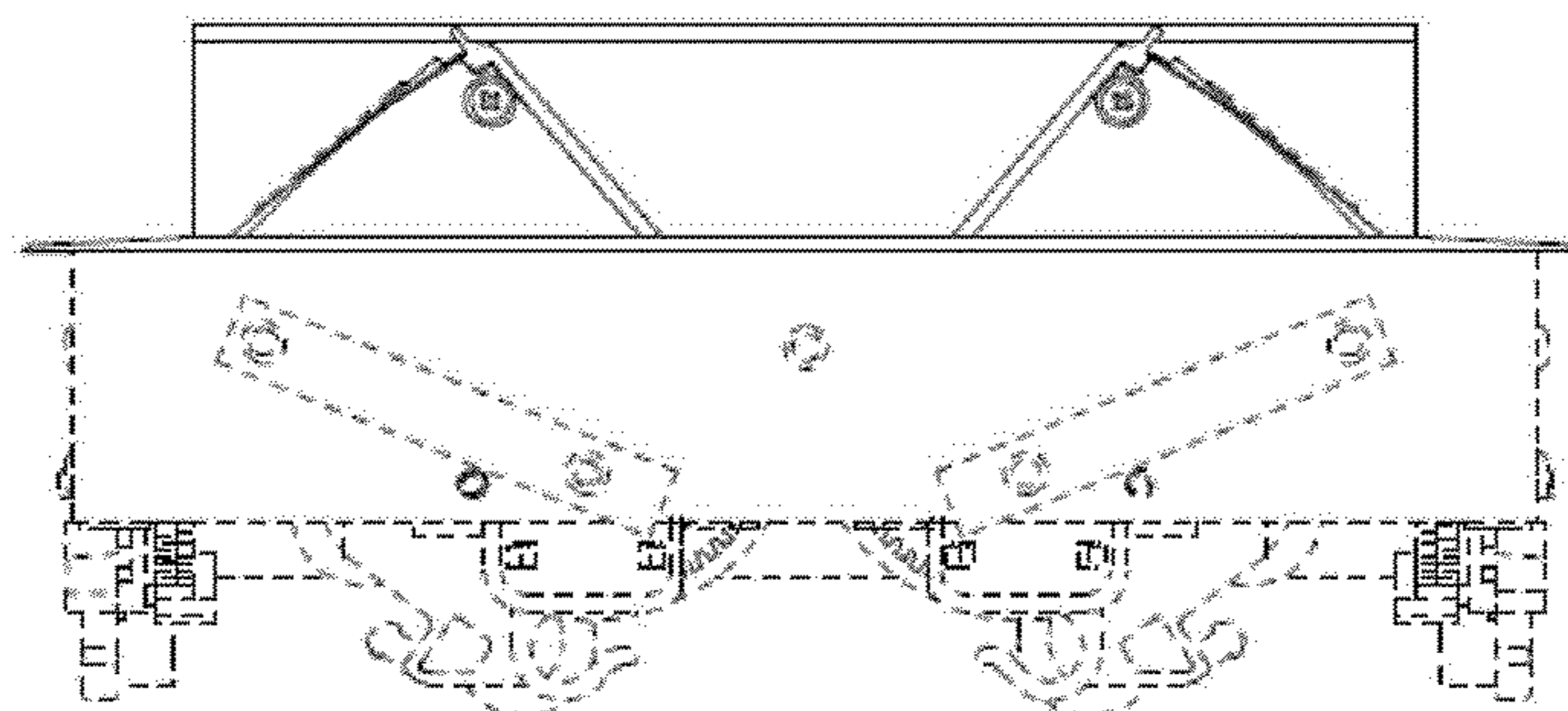


Fig. 24