

US00D709830S

(12) **United States Design Patent**  
**Tanaka et al.**

(10) **Patent No.:** **US D709,830 S**  
(45) **Date of Patent:** **\*\* Jul. 29, 2014**

(54) **BRUSH HOLDER OF AC GENERATOR FOR VEHICLE**

(56) **References Cited**

U.S. PATENT DOCUMENTS

(71) Applicant: **Mitsubishi Electric Corporation,**  
Tokyo (JP)

3,745,393	A *	7/1973	Spors .....	310/239
6,867,528	B2 *	3/2005	Inoue et al. ....	310/239
7,034,430	B2 *	4/2006	Custforth et al. ....	310/229
D526,275	S *	8/2006	Han et al. ....	D13/112
7,466,056	B2 *	12/2008	Golab et al. ....	310/245
D593,945	S *	6/2009	Lannoch .....	D13/122
D599,263	S *	9/2009	Nagase et al. ....	D12/177
7,843,105	B2 *	11/2010	Grimm et al. ....	310/239

(72) Inventors: **Kazunori Tanaka,** Tokyo (JP);  
**Tomonori Yamamoto,** Tokyo (JP)

(73) Assignee: **Mitsubishi Electric Corporation,**  
Tokyo (JP)

\* cited by examiner

(\*\*) Term: **14 Years**

*Primary Examiner* — Derrick Holland

(21) Appl. No.: **29/476,234**

(74) *Attorney, Agent, or Firm* — Sughrue Mion, PLLC

(22) Filed: **Dec. 12, 2013**

(57) **CLAIM**

The ornamental design for a brush holder of AC generator for vehicle, as shown and described.

(30) **Foreign Application Priority Data**

**DESCRIPTION**

Sep. 3, 2013 (JP) ..... 2013-020311

FIG. 1 is a perspective view of the front, right, and top side of a brush holder of AC generator for vehicle showing our new design;

(51) **LOC (10) Cl.** ..... **13-01**

FIG. 2 is a front view thereof;

(52) **U.S. Cl.**

FIG. 3 is a rear view thereof;

USPC ..... **D13/122**

FIG. 4 is a left side view thereof;

(58) **Field of Classification Search**

USPC ..... D13/122, 101, 112, 113, 114, 118, 184,  
D13/199; D15/3, 5; 310/75 R, 80, 85, 91,  
310/98, 102 R, 113, 239, 240, 242, 245, 246

FIG. 5 is a right side view thereof;

FIG. 6 is a top plan view thereof; and,

FIG. 7 is a bottom view thereof.

See application file for complete search history.

**1 Claim, 7 Drawing Sheets**

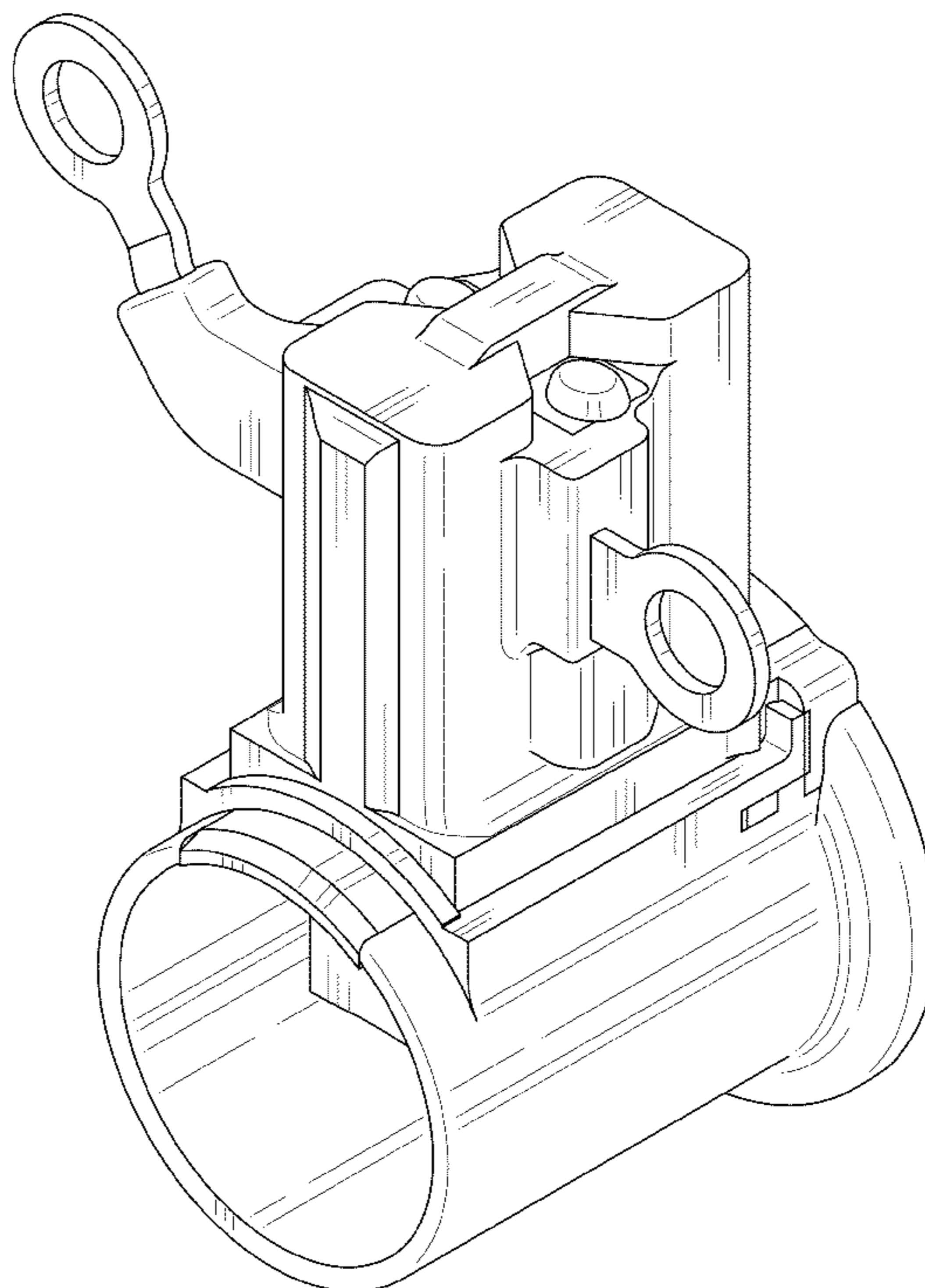


Fig. 1

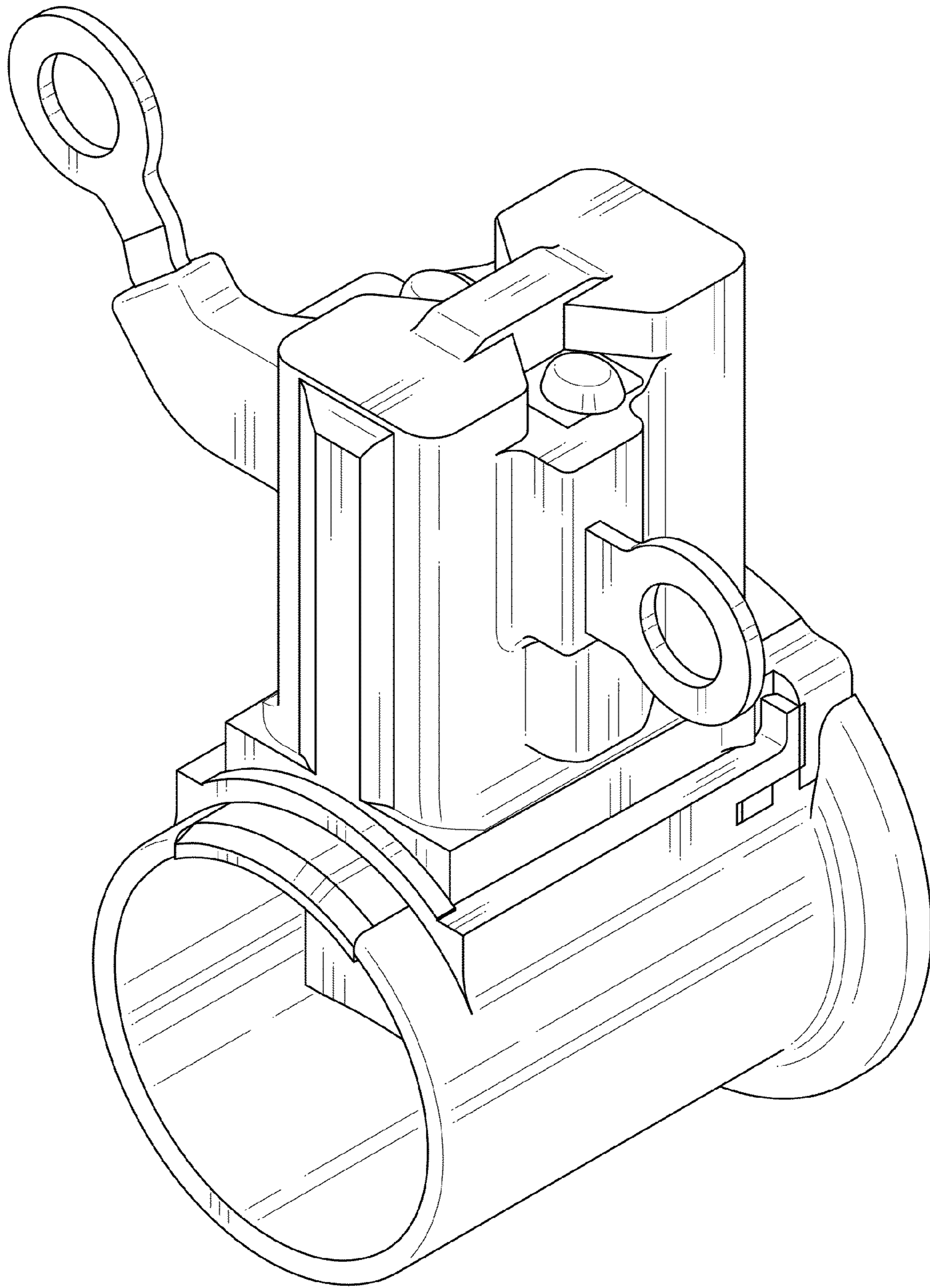


Fig. 2

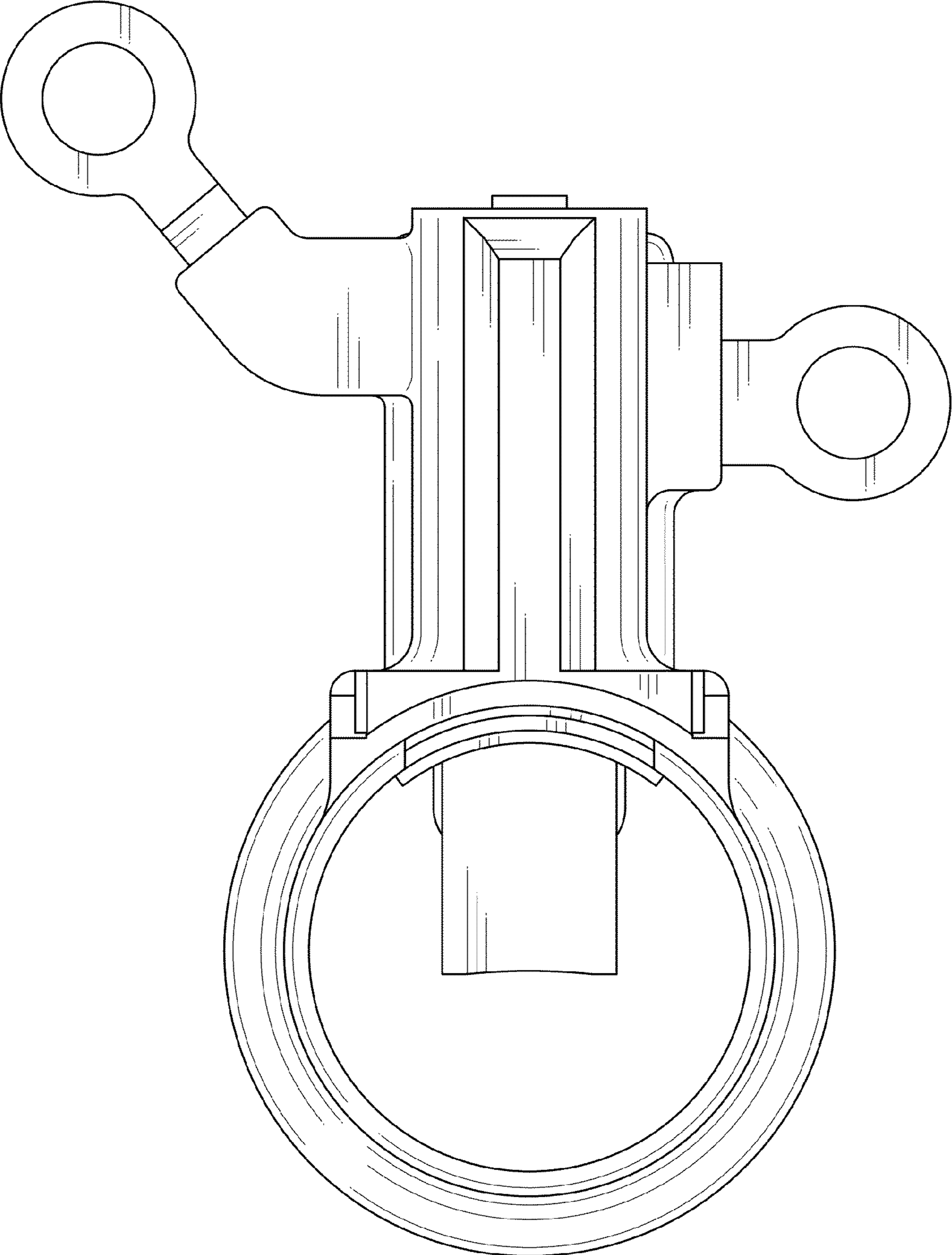


Fig. 3

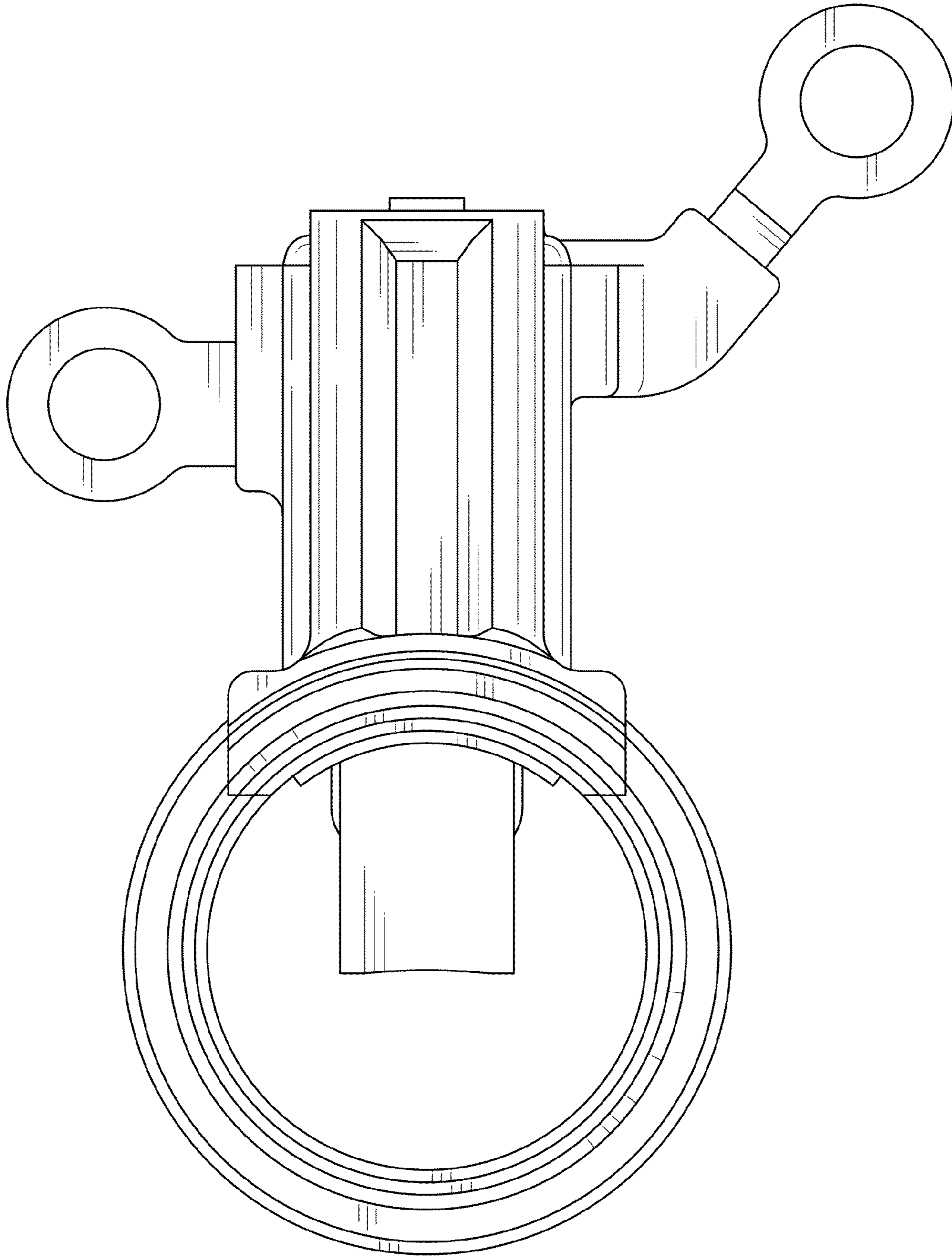


Fig. 4

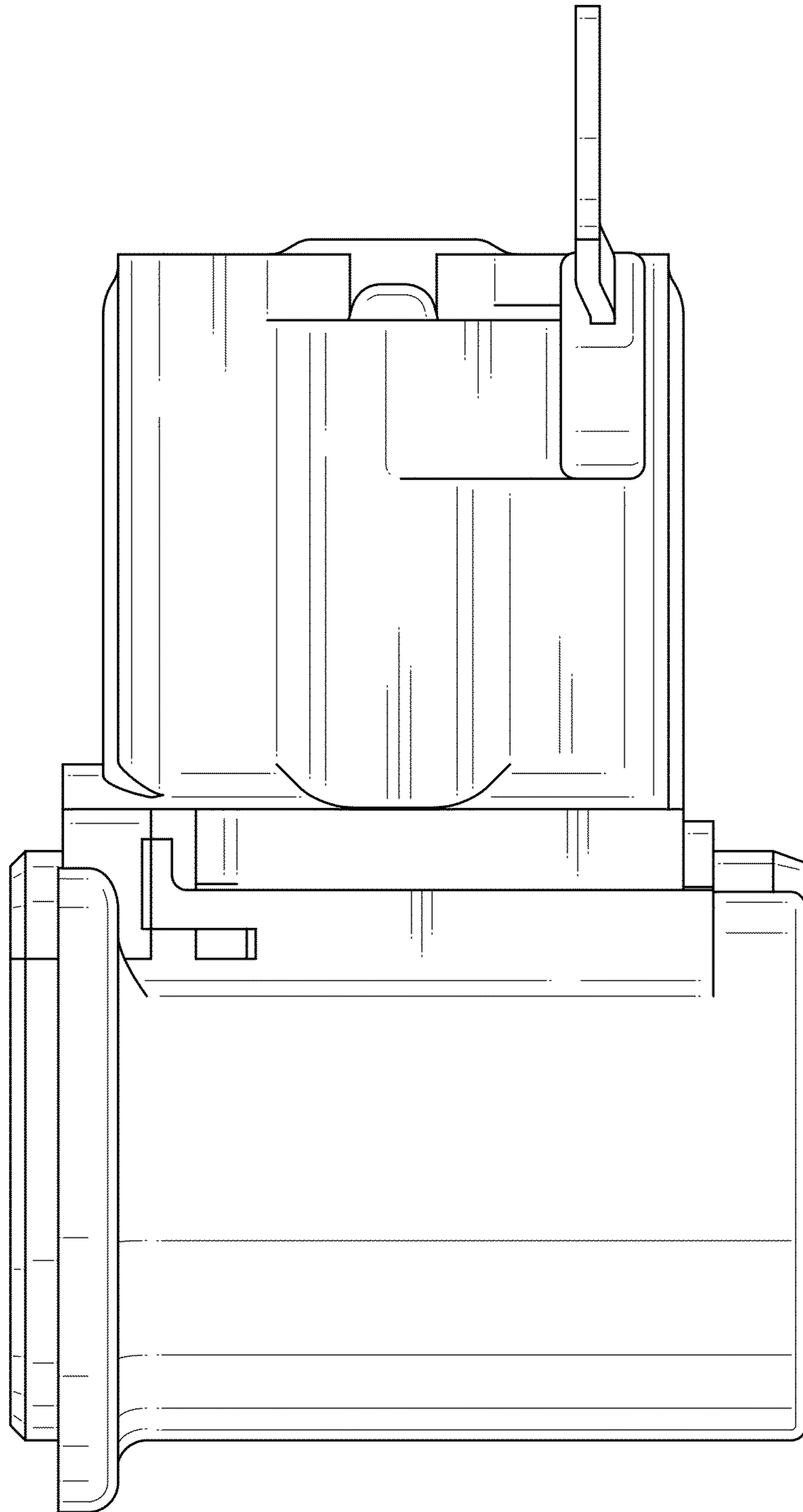


Fig. 5

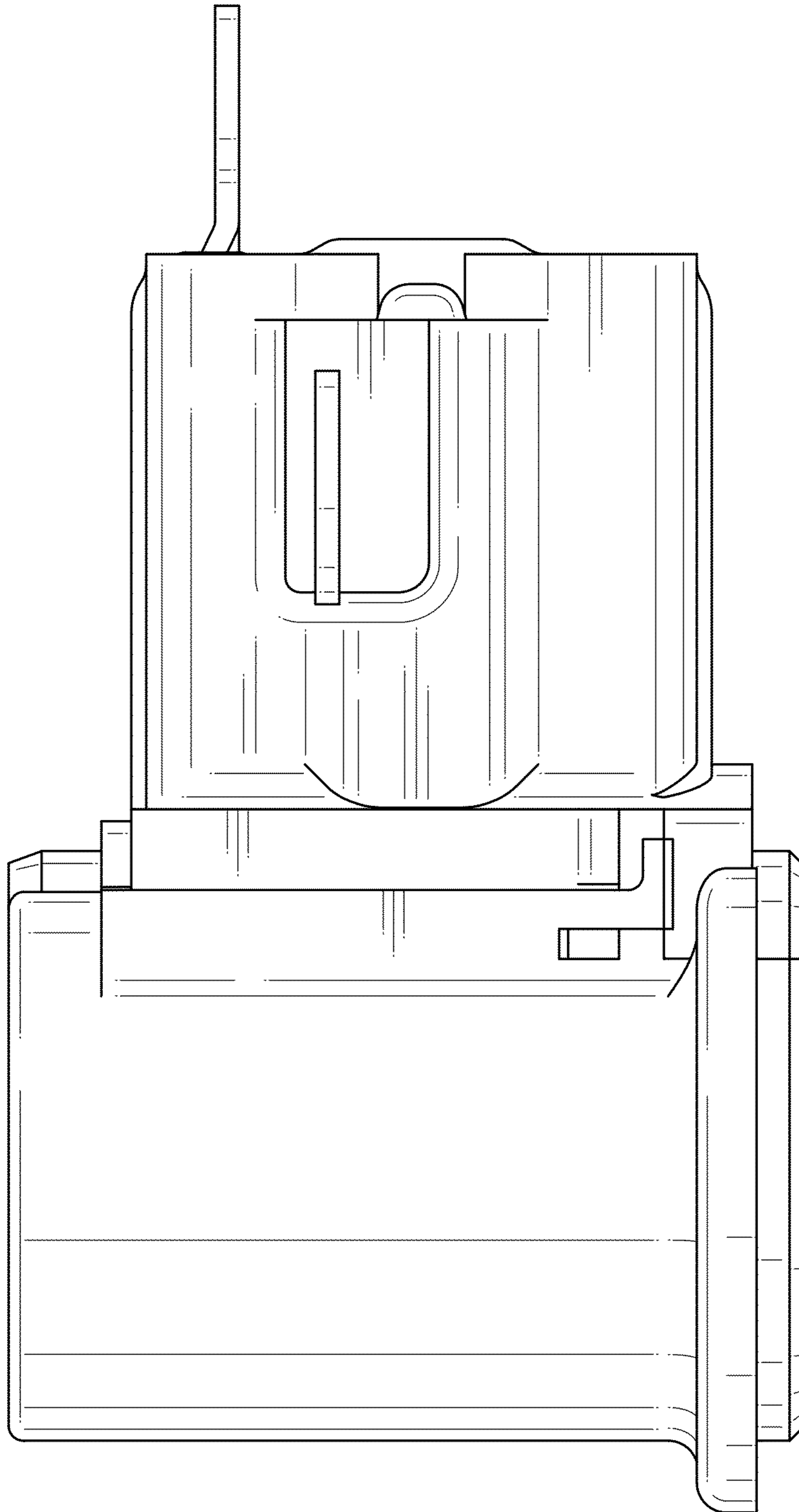


Fig. 6

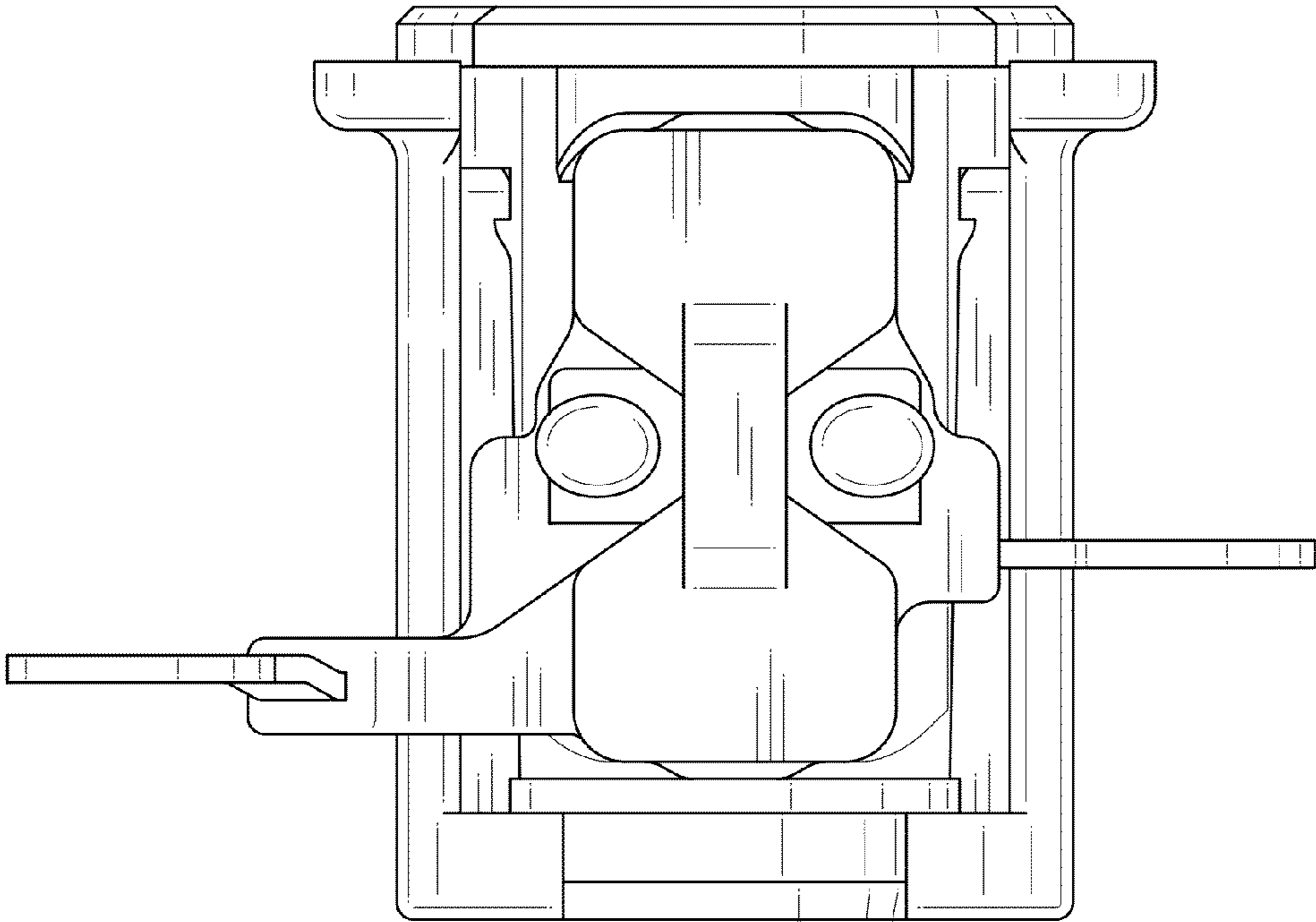


Fig. 7

