



US00D709829S

(12) **United States Design Patent**  
**McKee et al.**

(10) **Patent No.:** **US D709,829 S**  
(45) **Date of Patent:** **\*\* Jul. 29, 2014**

(54) **POWER ADAPTER**

(71) Applicant: **Control Solutions LLC**, Aurora, IL (US)

(72) Inventors: **Michael A. McKee**, Aurora, IL (US);  
**John E. Hayden**, Aurora, IL (US);  
**Krzysztof Grzyb**, Aurora, IL (US);  
**Nicholas J. Scholtes**, Shorewood, IL (US)

(73) Assignee: **Control Solutions LLC**, Aurora, IL (US)

(\*\*) Term: **14 Years**

(21) Appl. No.: **29/472,425**

(22) Filed: **Nov. 12, 2013**

(51) **LOC (10) Cl.** ..... **13-02**

(52) **U.S. Cl.**  
USPC ..... **D13/110**

(58) **Field of Classification Search**  
USPC ..... D13/101, 103, 107, 108, 110, 112, 114,  
D13/118, 123, 133, 137.1, 138.1, 144, 199;  
439/105, 135-147, 166, 170-175, 218,  
439/518, 692, 956; 320/107-115; 307/150,  
307/151; D9/430, 431, 432, 434, 435;  
D28/4-8, 33; D1/121, 125; D21/484,  
D21/487, 488, 491, 492, 497, 503, 504;  
D3/265, 266, 316, 901, 903, 904, 905;  
D14/432, 433, 435.1

See application file for complete search history.

(56) **References Cited**

U.S. PATENT DOCUMENTS

6,042,400 A \* 3/2000 Queffelec et al. .... 439/131  
6,227,888 B1 \* 5/2001 Hahn ..... 439/173  
D456,008 S \* 4/2002 Kawanobe et al. .... D13/110  
D484,853 S \* 1/2004 Alviar ..... D13/110

7,052,309 B1 \* 5/2006 Chen ..... 439/484  
D570,772 S \* 6/2008 Mahaffey et al. .... D13/110  
D593,031 S \* 5/2009 Miyatake et al. .... D13/110  
7,553,179 B2 \* 6/2009 Finona ..... 439/352  
D602,434 S \* 10/2009 Mancari et al. .... D13/139.1  
D660,797 S \* 5/2012 Wu ..... D13/110  
D678,197 S \* 3/2013 Kagelmacher et al. .... D13/133

\* cited by examiner

*Primary Examiner* — Derrick Holland

(74) *Attorney, Agent, or Firm* — McCracken & Frank LLC

(57) **CLAIM**

The ornamental design for a power adapter, as shown and described.

**DESCRIPTION**

FIG. 1 is an isometric view of a top, front, and right side of an ornamental design for a power adapter aligned for use with a power source;

FIG. 2 is an isometric view of a bottom, rear, and left side of the power adapter of FIG. 1;

FIG. 3 is a front elevational view of the power adapter of FIG. 1;

FIG. 4 is a rear elevational view of the power adapter of FIG. 1;

FIG. 5 is a right side elevational view of the power adapter of FIG. 1;

FIG. 6 is a left side elevational view of the power adapter of FIG. 1;

FIG. 7 is a top plan view of the power adapter of FIG. 1;

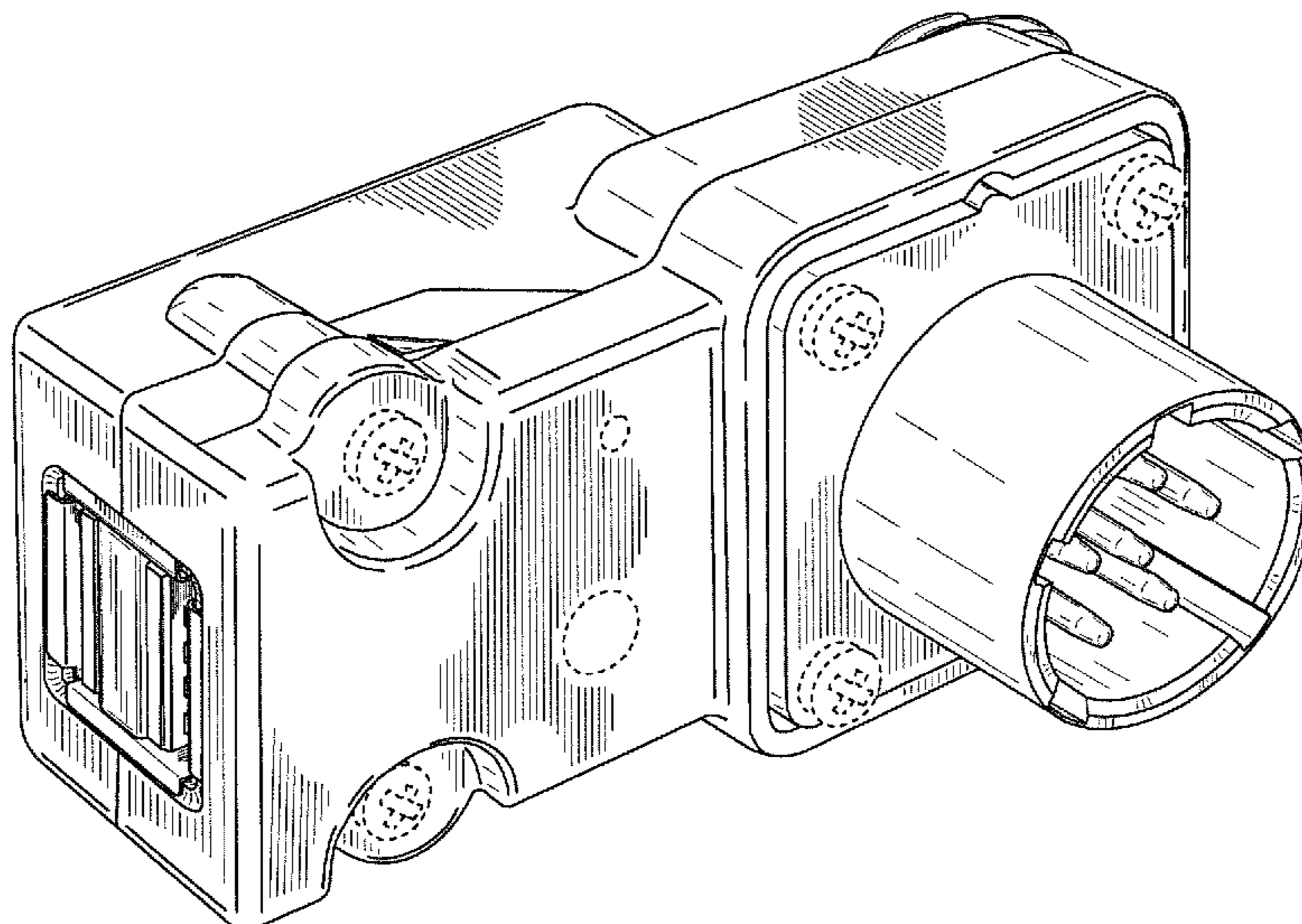
FIG. 8 is a bottom plan view of the power adapter of FIG. 1;

FIG. 9 is an isometric view of a bottom, rear and left side of an alternative embodiment of the power adapter of FIG. 1; and,

FIG. 10 is an isometric view of a bottom, rear and left side of another alternative embodiment of the power adapter of FIG. 1.

The broken lines shown represent unclaimed subject matter and form no part of the claimed design.

**1 Claim, 5 Drawing Sheets**



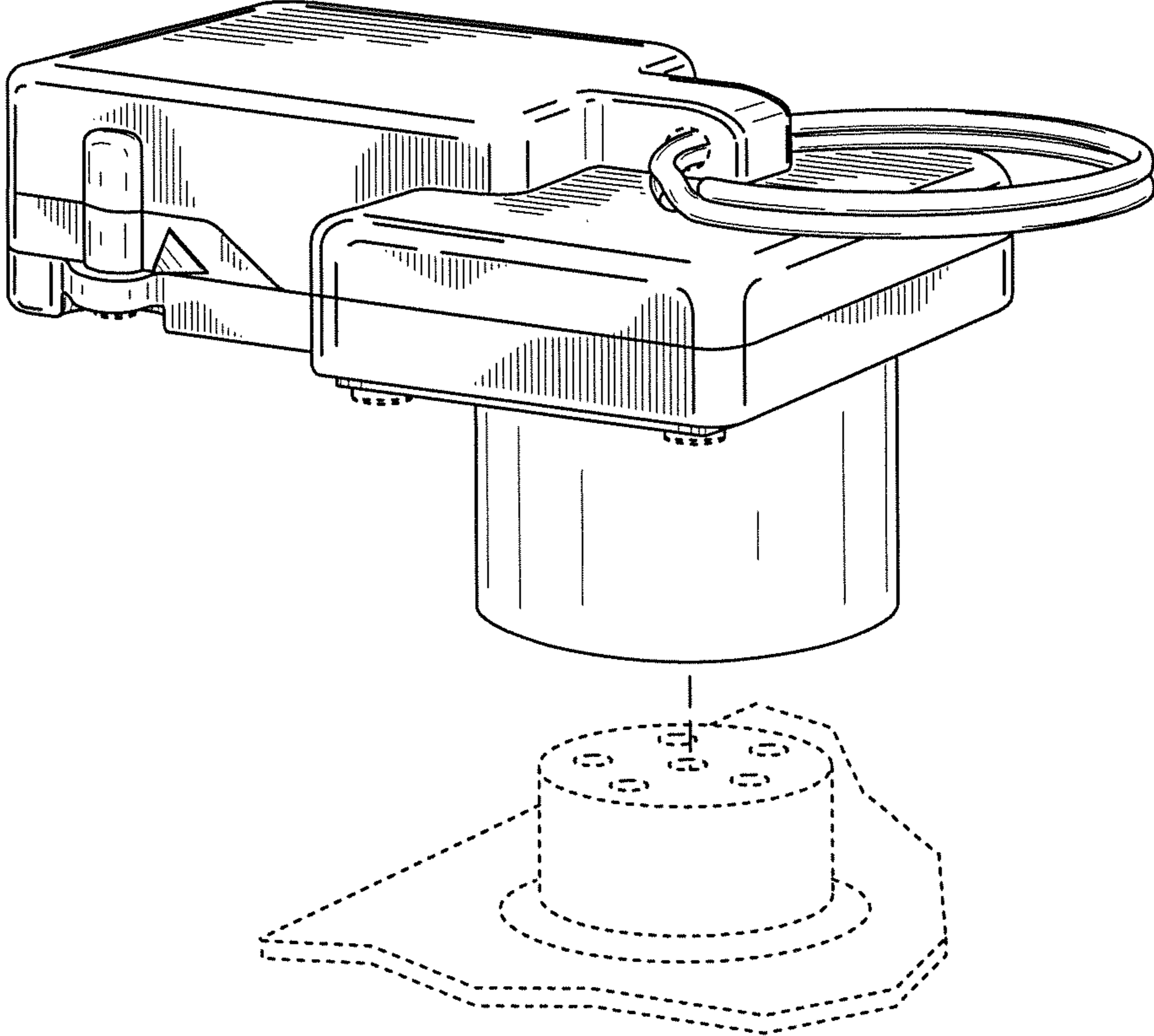


FIG. 1

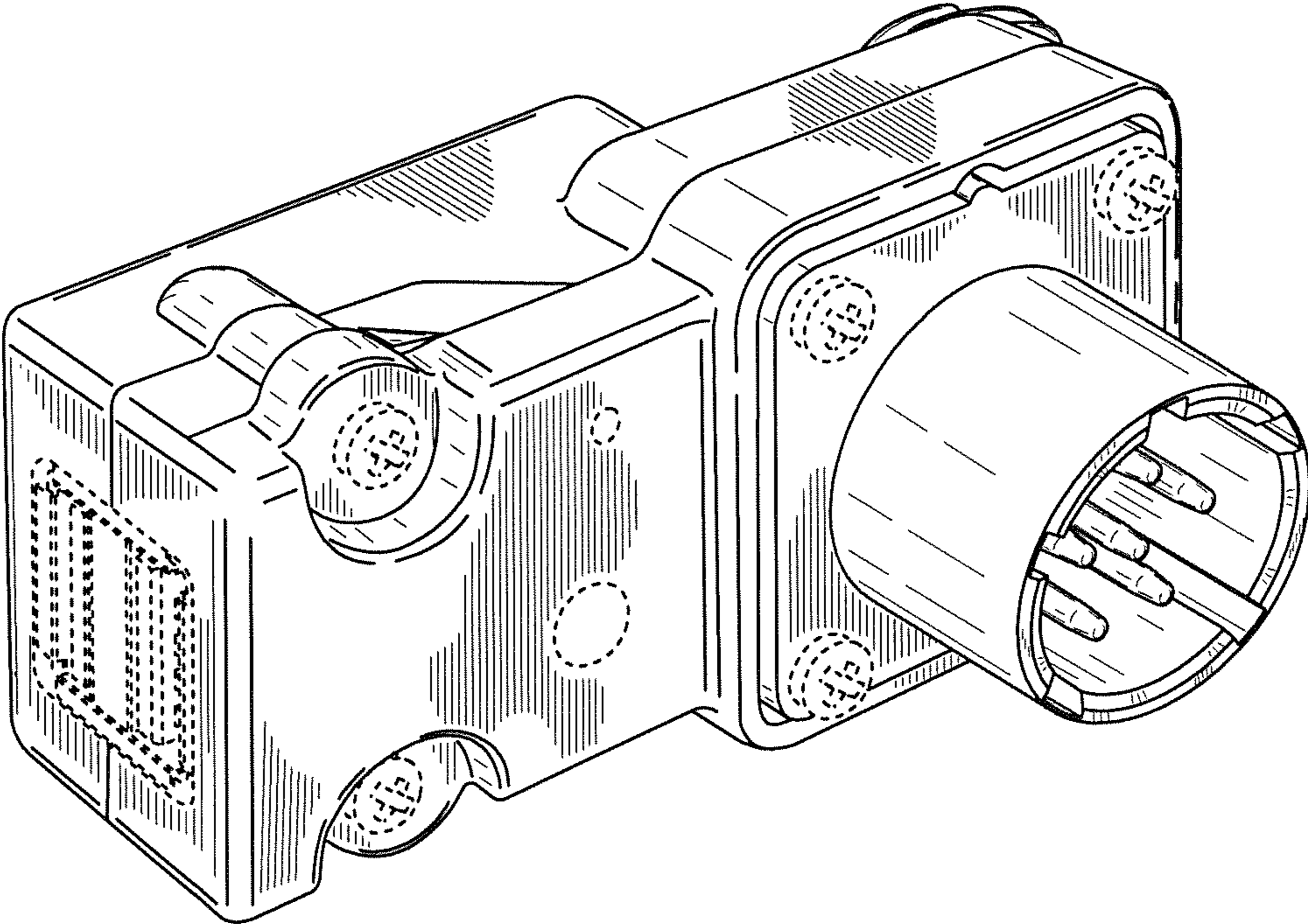


FIG. 2

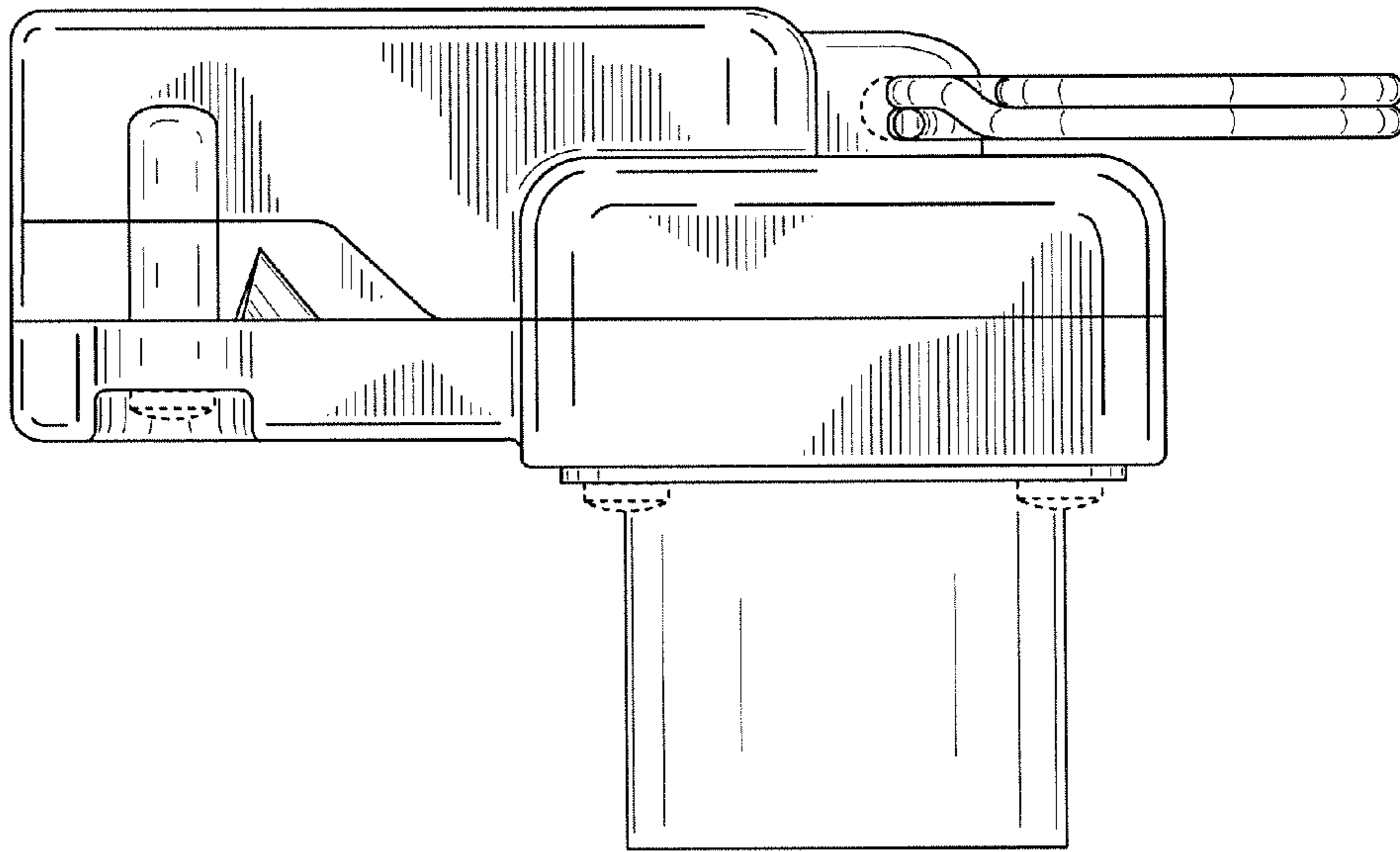


FIG. 3

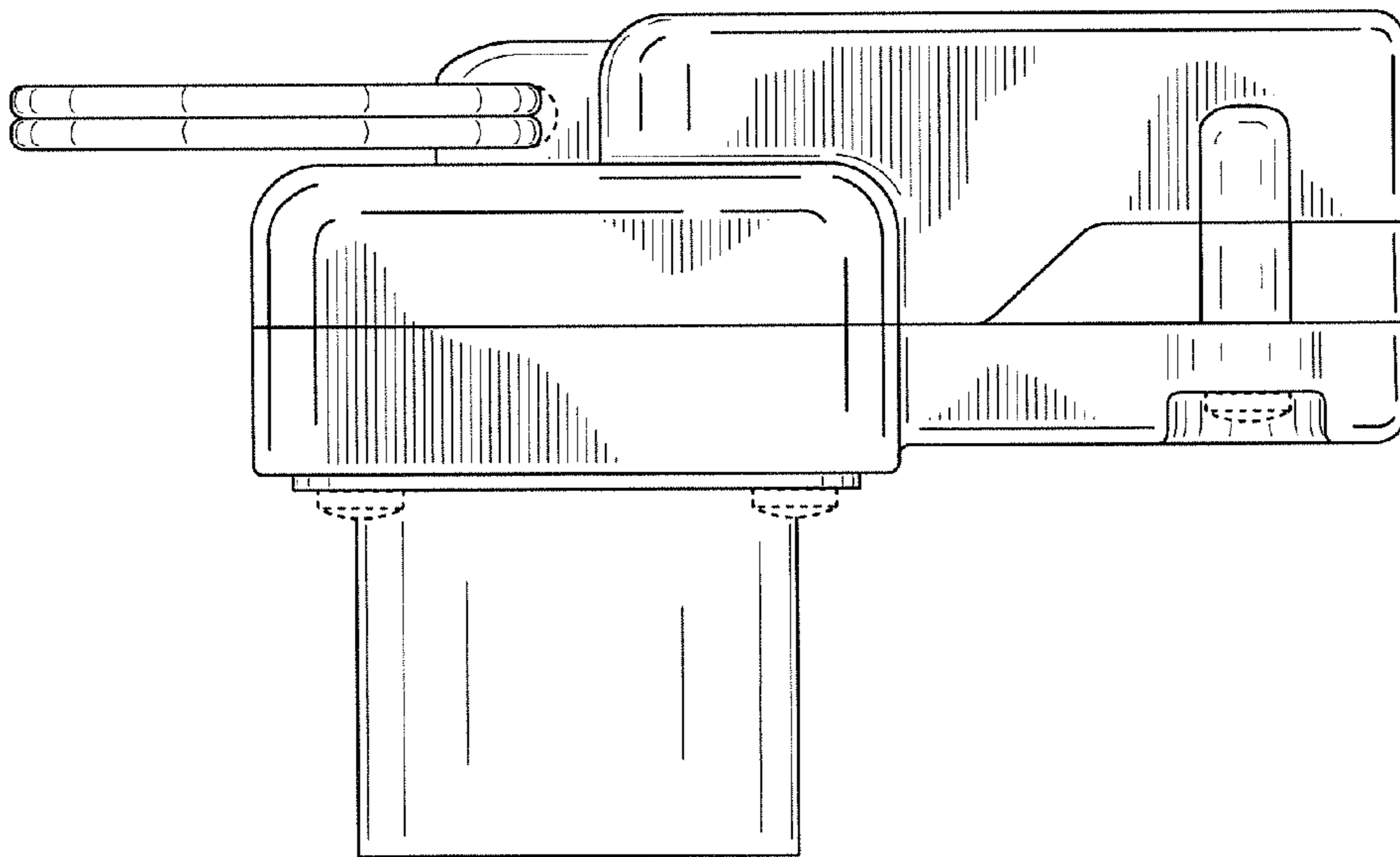


FIG. 4

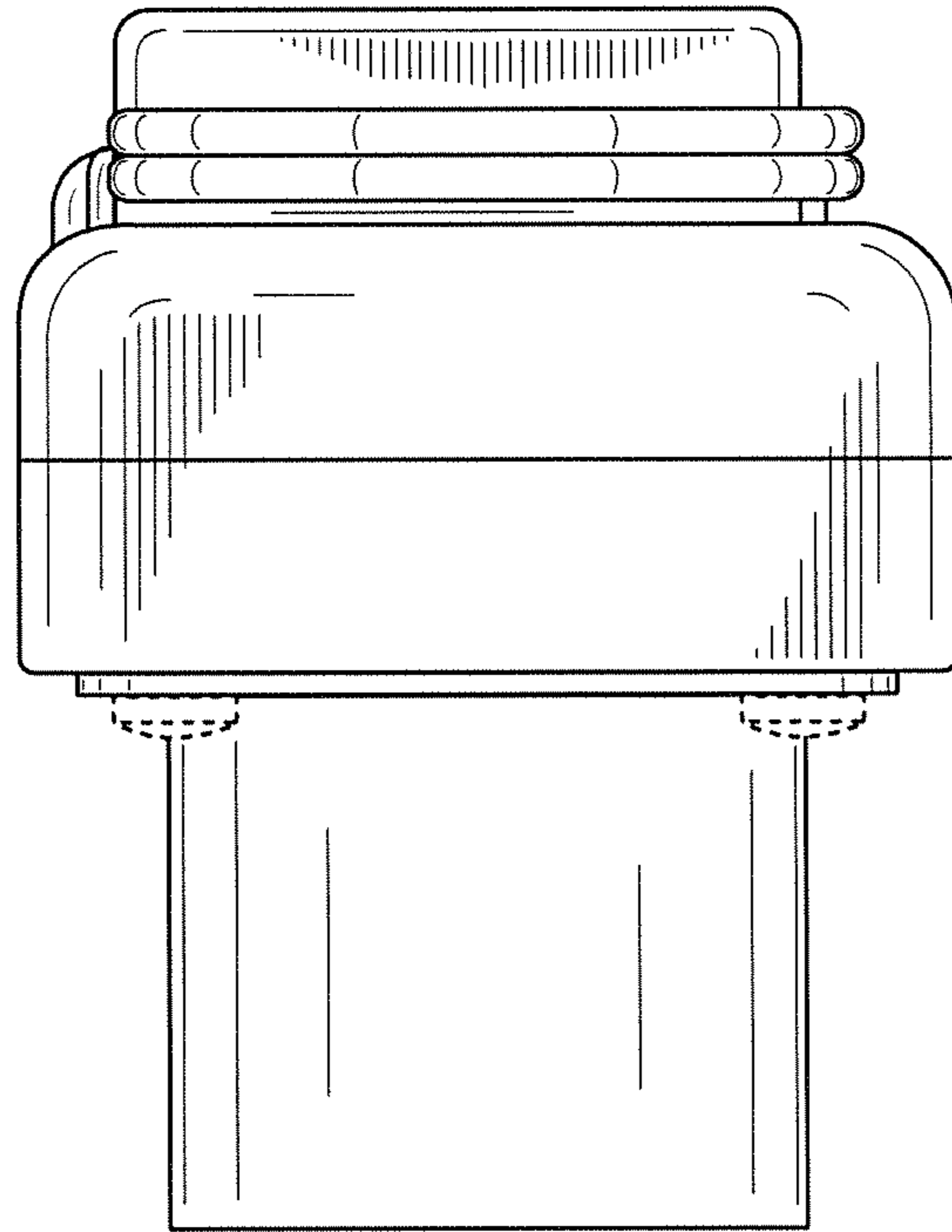


FIG. 5

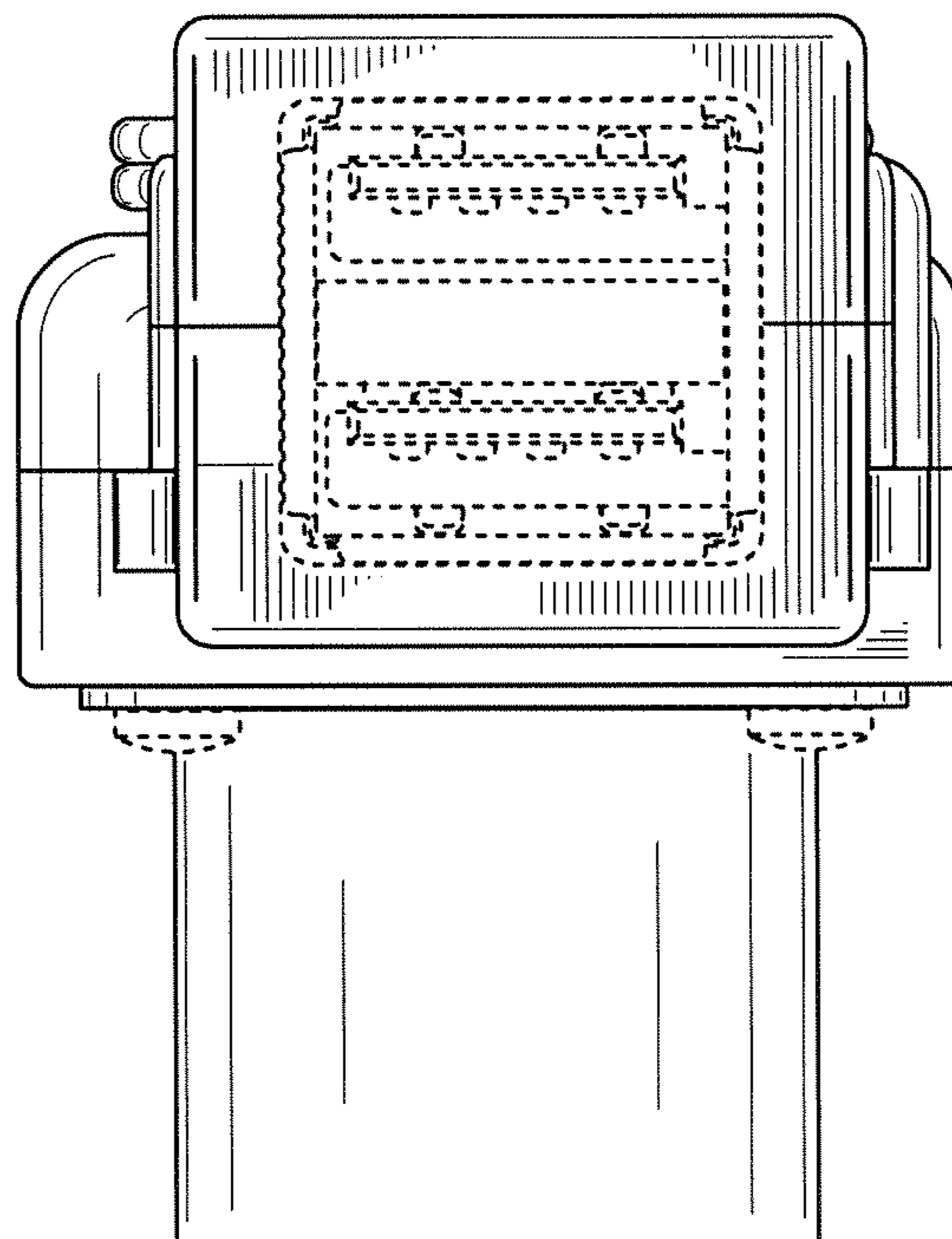


FIG. 6

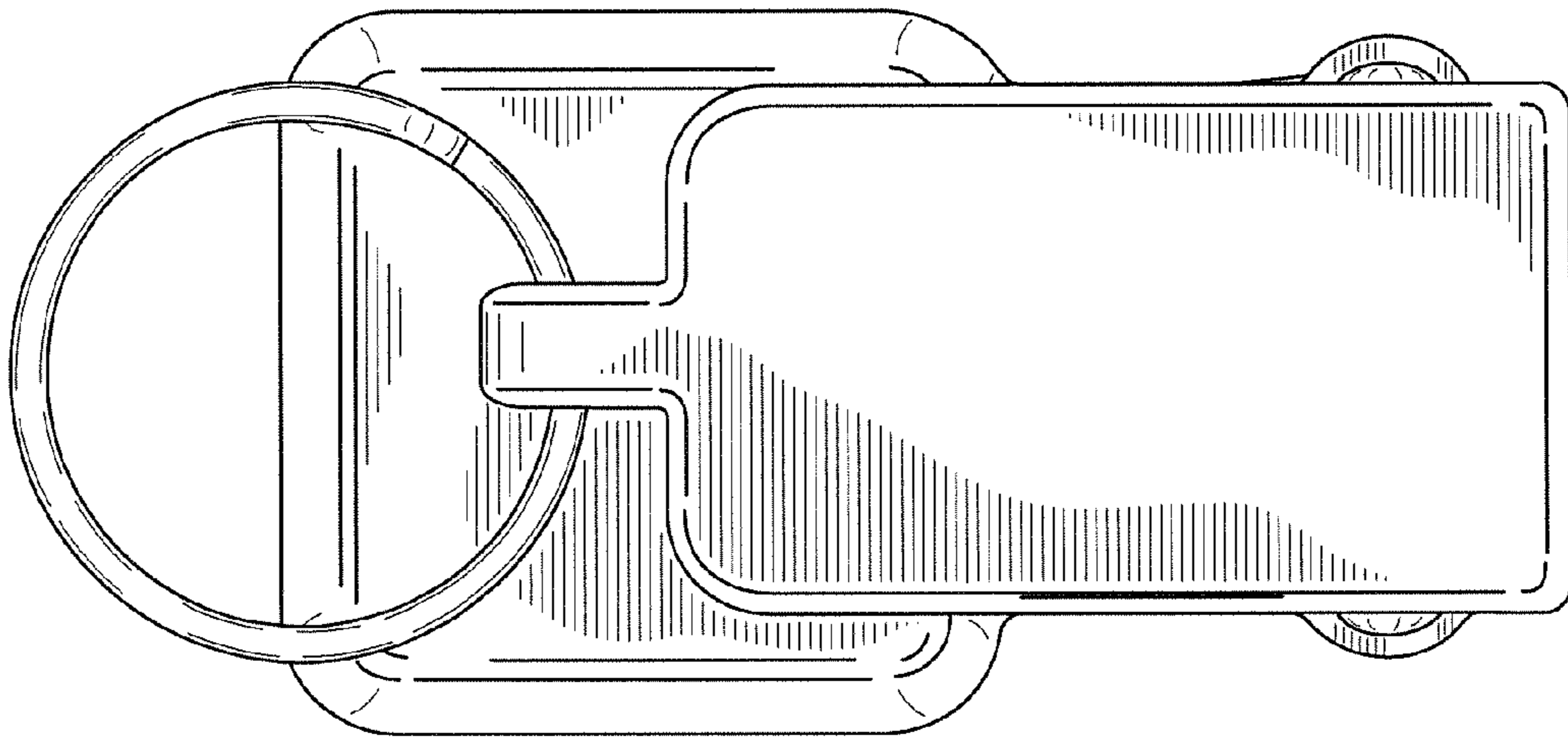


FIG. 7

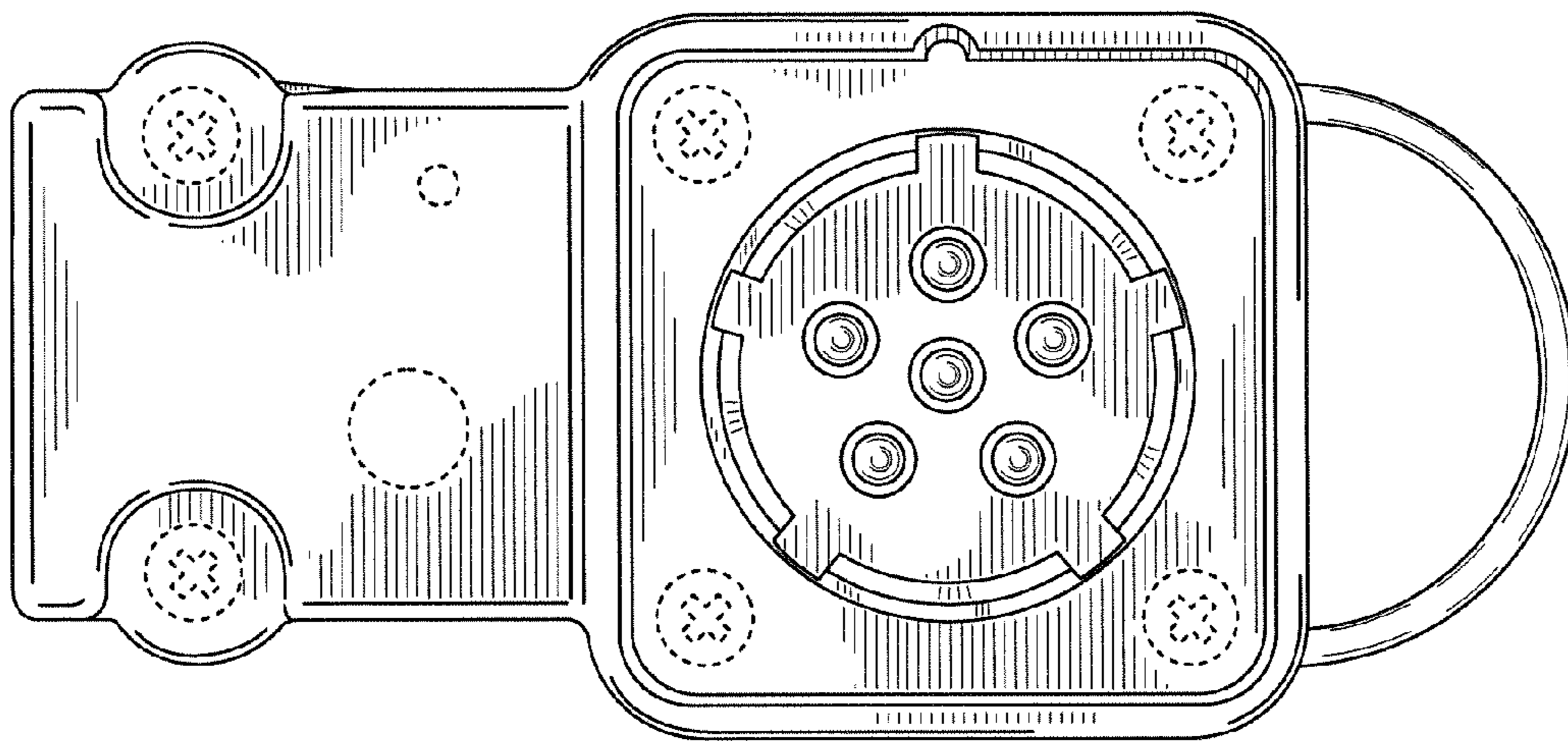


FIG. 8

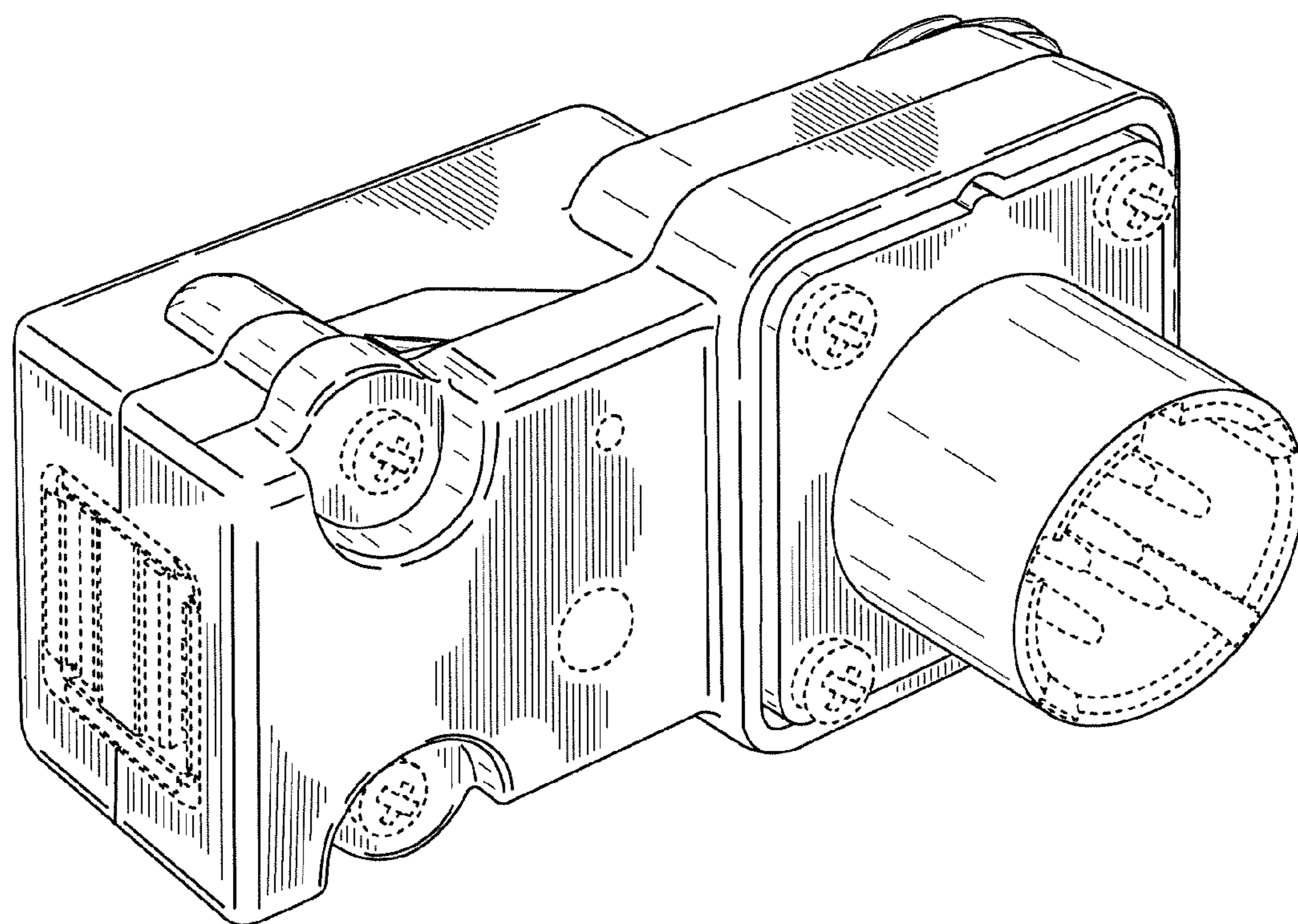


FIG. 9

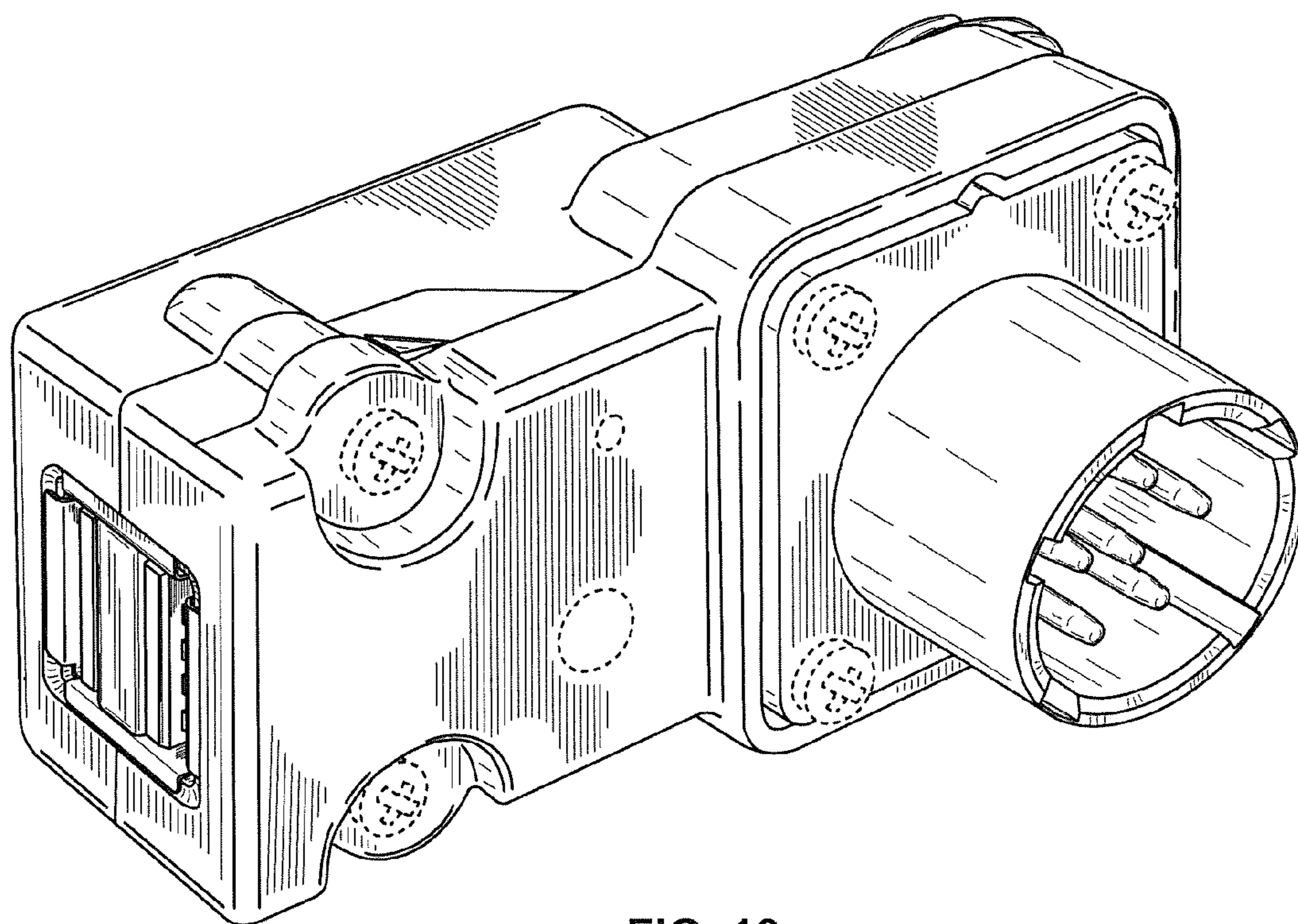


FIG. 10