



US00D709828S

(12) **United States Design Patent**
Fiaschetti

(10) **Patent No.:** **US D709,828 S**
(45) **Date of Patent:** **** Jul. 29, 2014**

(54) **ELECTRONIC CHARGING STATION**

(71) Applicant: **Nicholas J Fiaschetti**, Beverly Hills, CA (US)

(72) Inventor: **Nicholas J Fiaschetti**, Beverly Hills, CA (US)

(**) Term: **14 Years**

(21) Appl. No.: **29/471,463**

(22) Filed: **Oct. 31, 2013**

(51) **LOC (10) Cl.** **13-02**

(52) **U.S. Cl.**
USPC **D13/108**

(58) **Field of Classification Search**
USPC D13/106–110, 118–119, 184, 199;
D14/251, 253, 432, 434; 320/103–105,
320/107–115
See application file for complete search history.

(56) **References Cited**

U.S. PATENT DOCUMENTS

D290,599 S *	6/1987	Wyatt	D13/139.5
D358,951 S *	6/1995	Raynor	D6/421
5,461,299 A *	10/1995	Bruni	320/108
6,366,050 B2 *	4/2002	Kajiura	320/108
6,459,234 B2 *	10/2002	Kajiura	320/109
D597,937 S *	8/2009	Haw et al.	D13/107
D659,090 S *	5/2012	deRoo et al.	D13/107
D660,791 S *	5/2012	Murata et al.	D13/107
D664,500 S *	7/2012	Degn	D13/107
D669,026 S *	10/2012	Oda et al.	D13/107
D692,374 S *	10/2013	Choi	D13/107

D694,179 S *	11/2013	Zeppetbauer	D13/107
2012/0181984 A1 *	7/2012	Okabayashi et al.	320/109
2013/0132307 A1 *	5/2013	Phelps et al.	705/412
2013/0335021 A1 *	12/2013	Meier	320/109

* cited by examiner

Primary Examiner — Rosemary K Tarcza

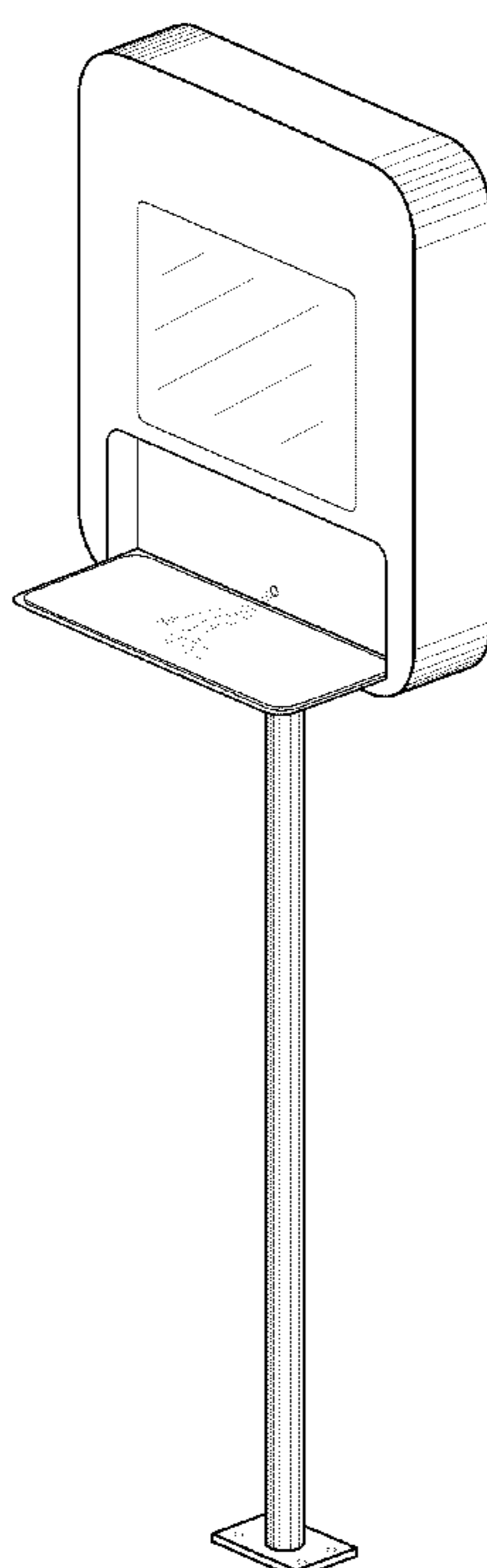
(57) **CLAIM**

The ornamental design for electronic charging station, as shown and described.

DESCRIPTION

FIG. 1 is a perspective view of a electronic charging station in an open configuration;
FIG. 2 is a front view thereof;
FIG. 3 is a rear view thereof;
FIG. 4 is a right view thereof;
FIG. 5 is a left view thereof;
FIG. 6 is a top view thereof;
FIG. 7 is a bottom view thereof;
FIG. 8 is a perspective view of a electronic charging station in a closed configuration;
FIG. 9 is a front view thereof;
FIG. 10 is a rear view thereof;
FIG. 11 is a right view thereof;
FIG. 12 is a left view thereof;
FIG. 13 is a top view thereof; and,
FIG. 14 is a bottom view thereof.
The broken line showing wires and the broken line showing mounting holes are included for the purpose of illustrating environmental structure and forms no part of the claimed design.

1 Claim, 14 Drawing Sheets



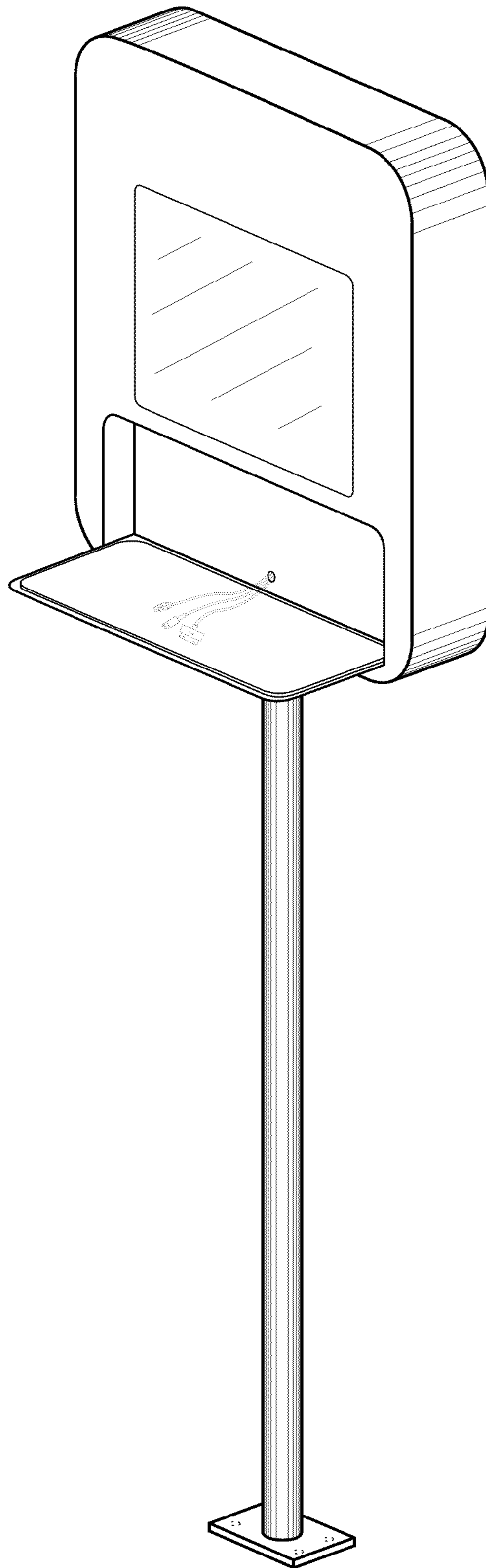


FIG. 1

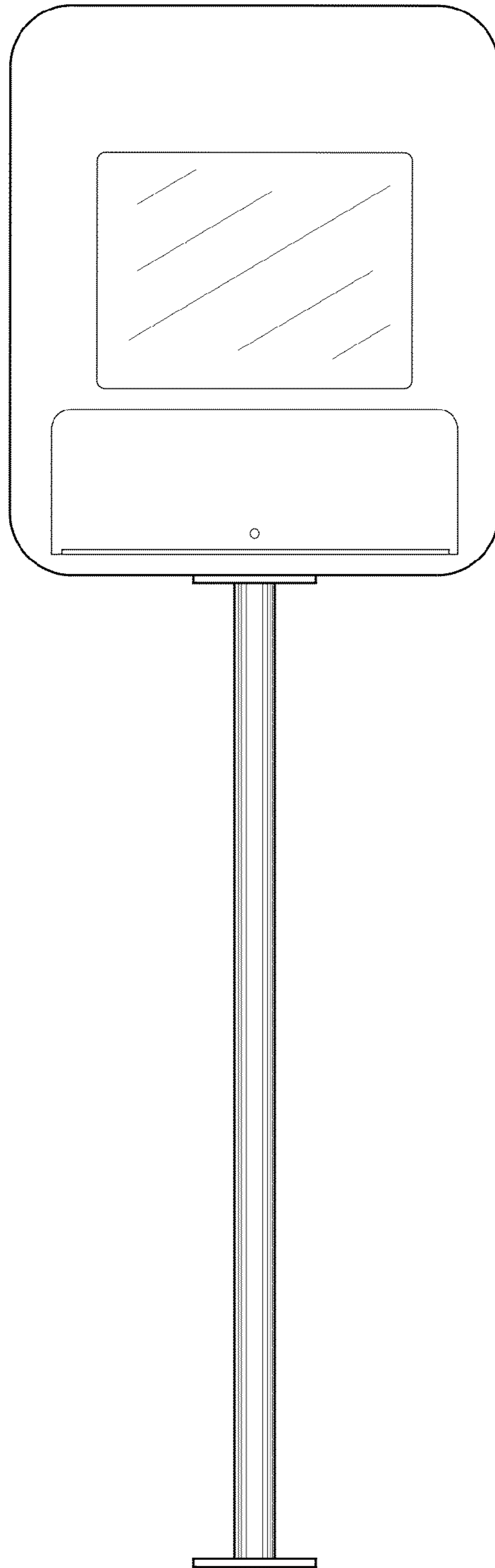


FIG. 2

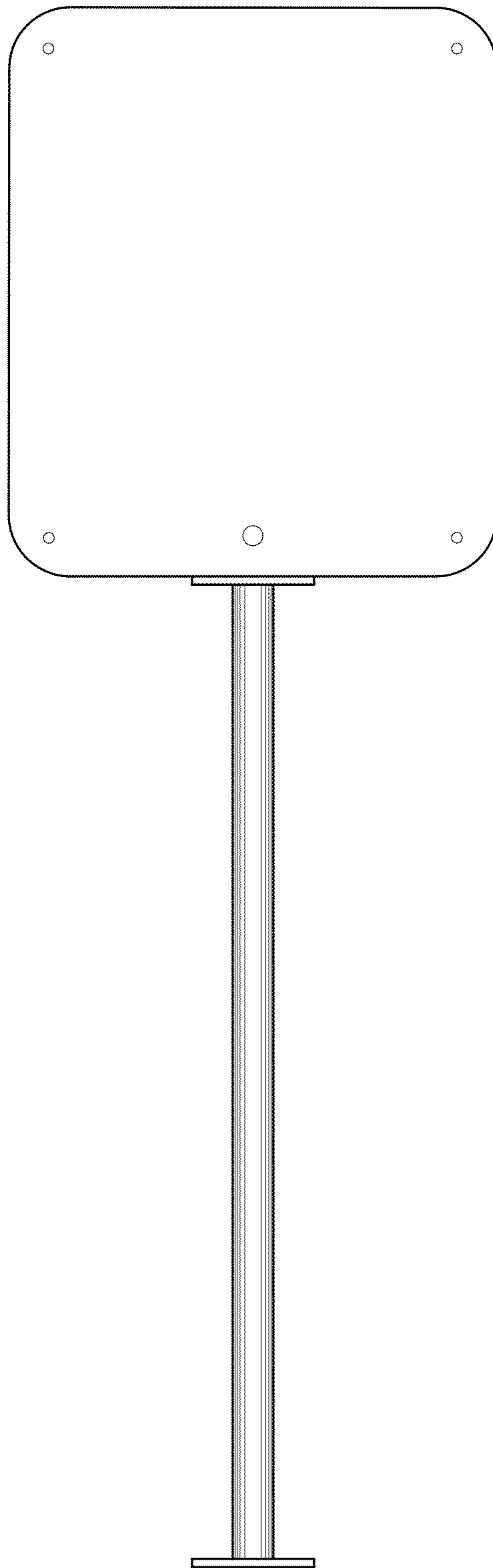


FIG. 3

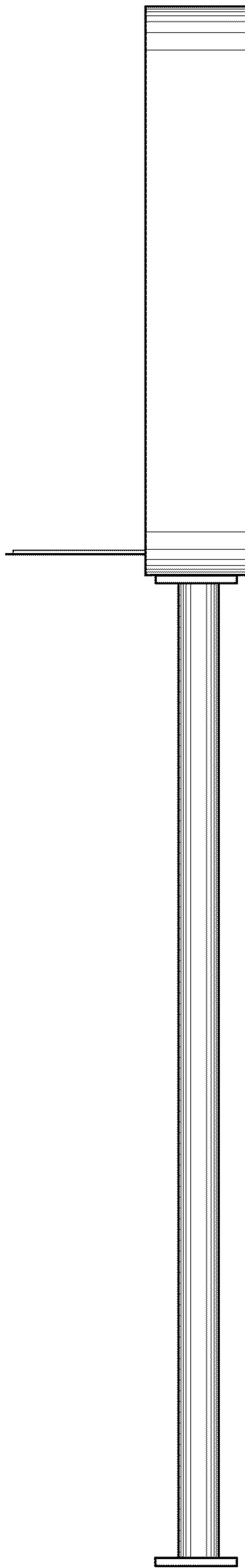


FIG. 4

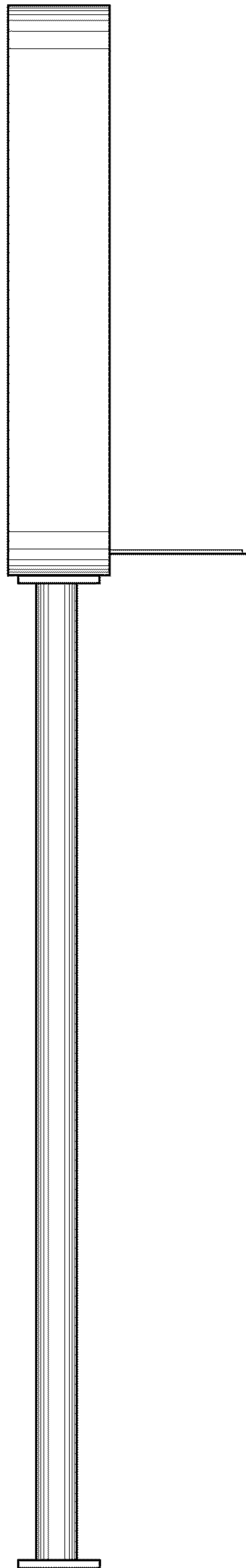


FIG. 5

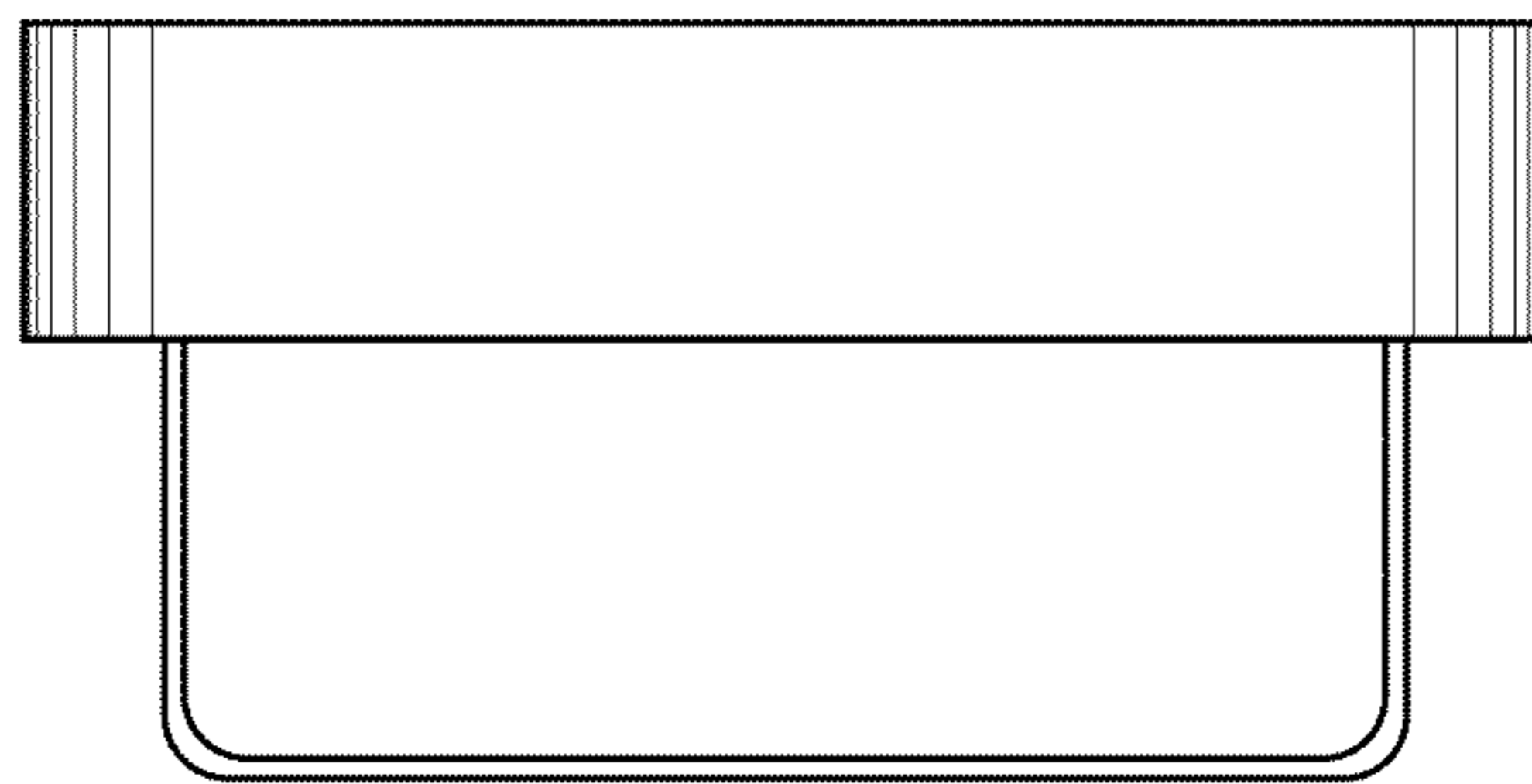


FIG. 6

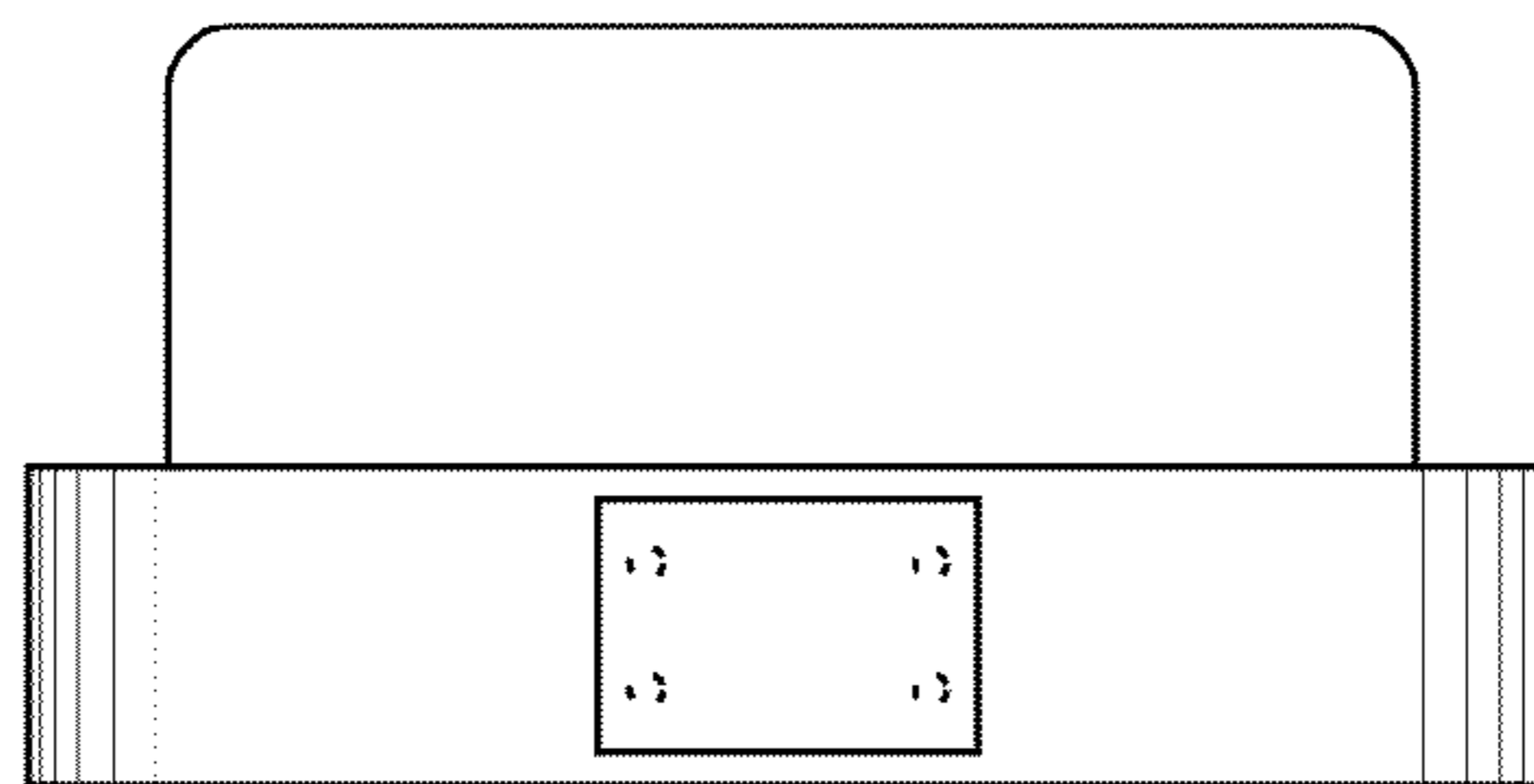


FIG. 7

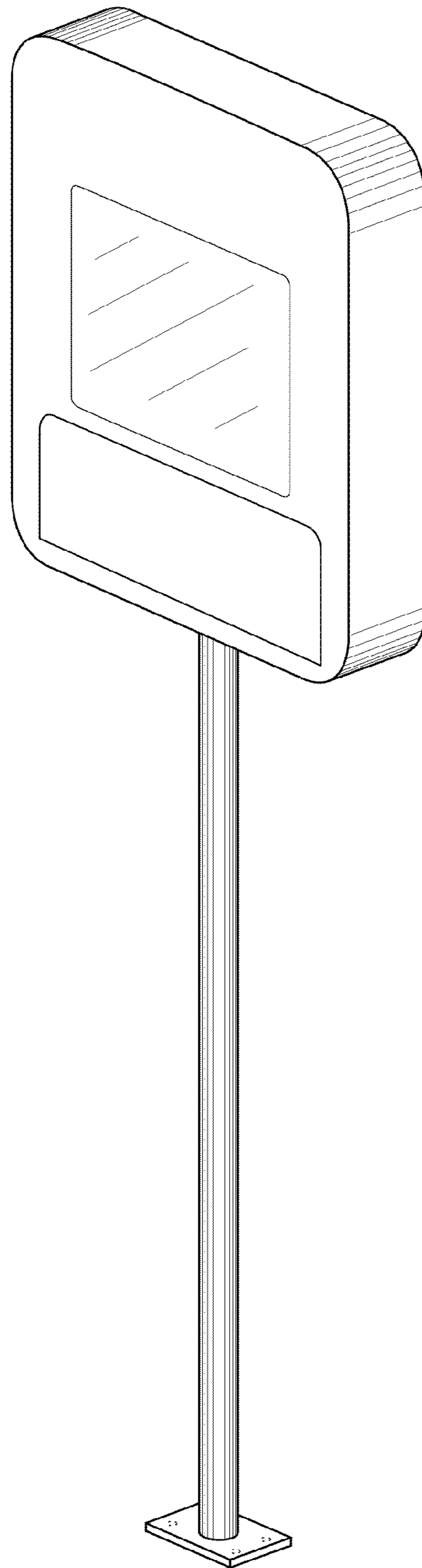


FIG. 8

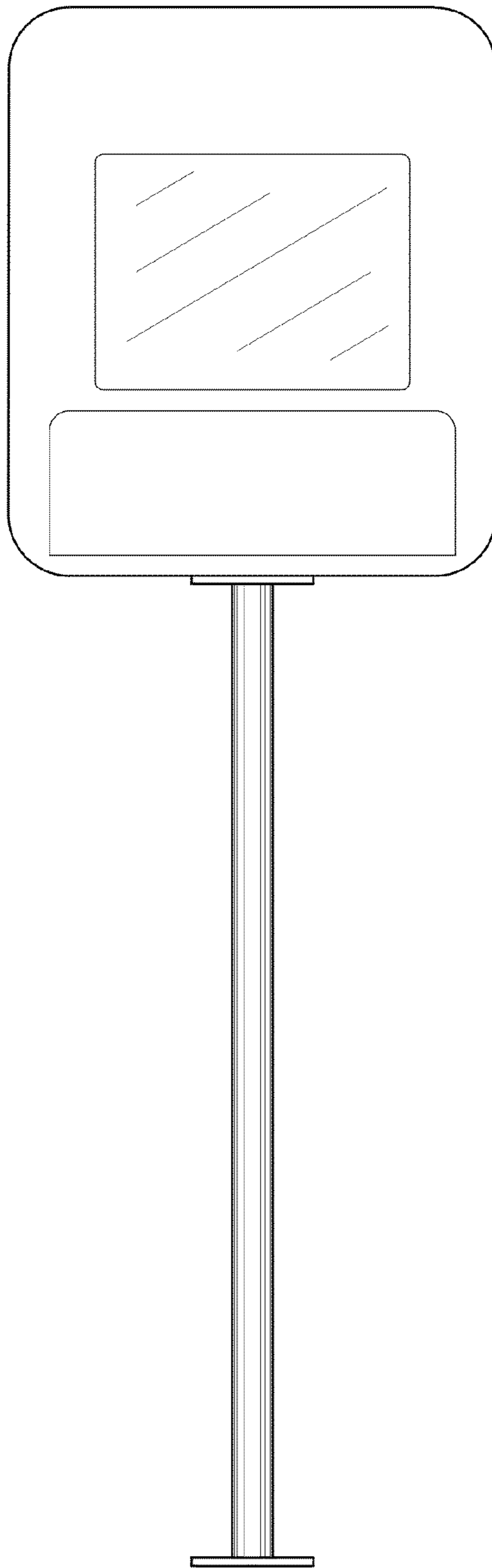


FIG. 9

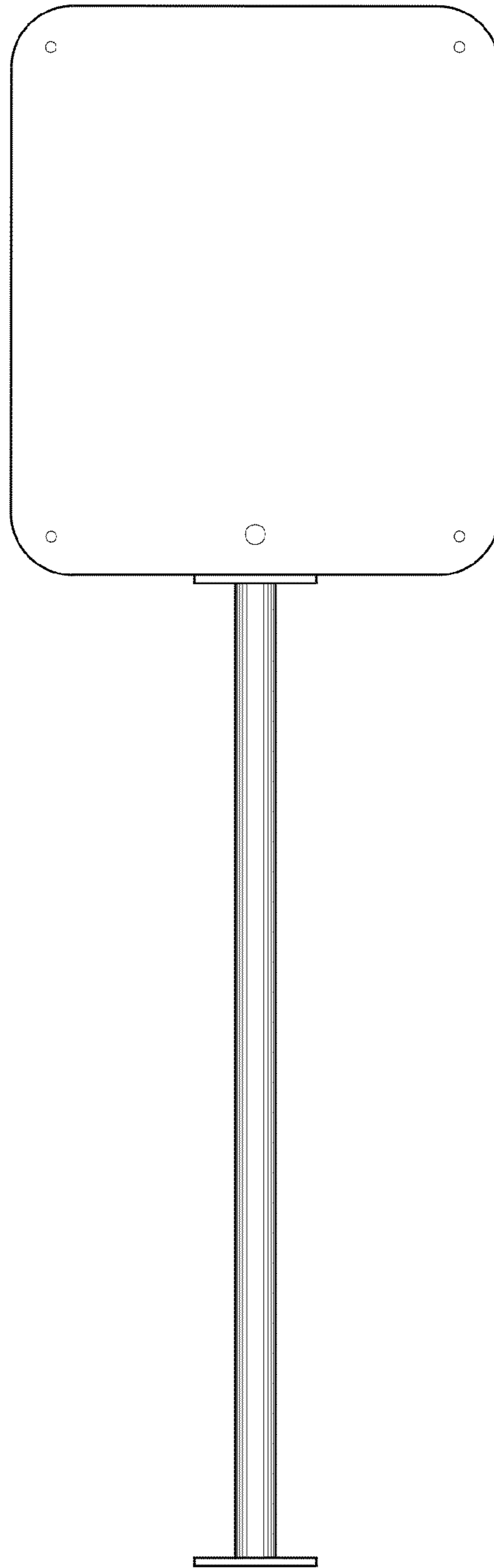


FIG. 10

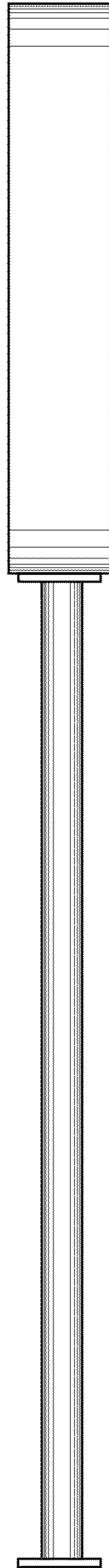


FIG. 11

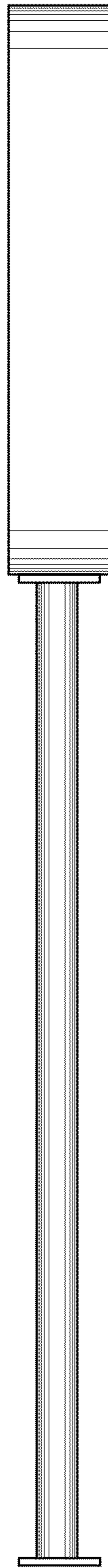


FIG. 12



FIG. 13

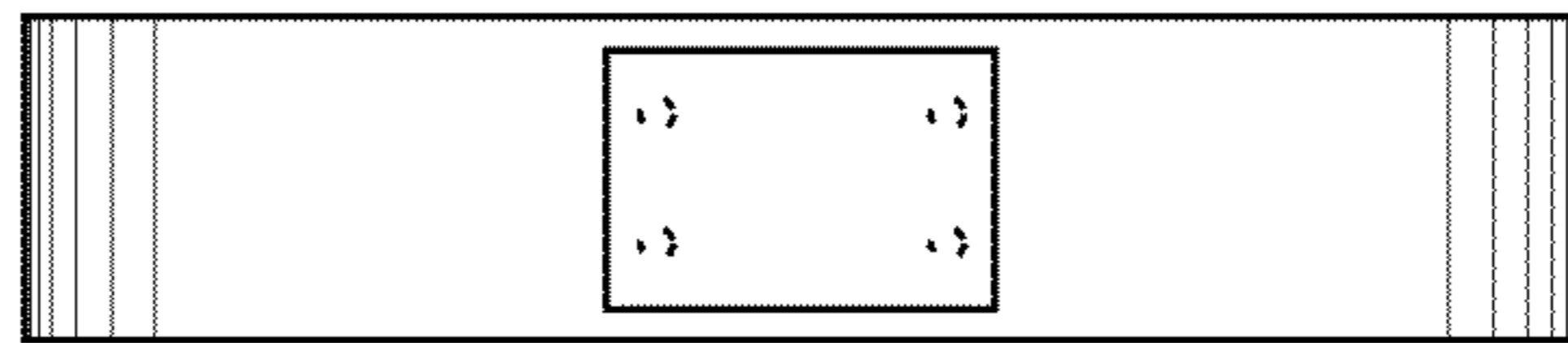


FIG. 14