



US00D709825S

(12) **United States Design Patent**
Prevost et al.

(10) **Patent No.:** **US D709,825 S**
(45) **Date of Patent:** **** Jul. 29, 2014**

(54) **RENEWABLE ENERGY PRODUCTION AND CHARGING STATION**

(75) Inventors: **William M. Prevost**, Fremont, CA (US);
Thomas Donald Sabourin, Santa Clara, CA (US); **Seungbae Lee**, Seoul (KR);
Stephen Earle Dexter, Oakland, CA (US)

(73) Assignee: **Alternative Energy Solutions, Inc.**,
Santa Clara, CA (US)

(**) Term: **14 Years**

(21) Appl. No.: **29/392,844**

(22) Filed: **May 26, 2011**

(51) **LOC (10) Cl.** **13-02**

(52) **U.S. Cl.**
USPC **D13/107; D13/102; D25/56**

(58) **Field of Classification Search**
USPC D13/102, 107-110, 118-119, 184, 199;
320/103-115; D25/1, 3, 22, 34, 35,
D25/199, 20, 56; 52/74, 77, 78; D26/67-71,
D26/95

See application file for complete search history.

(56) **References Cited**

U.S. PATENT DOCUMENTS

D173,255 S *	10/1954	Brooks et al.	D26/67
D190,630 S *	6/1961	Jarvis	D25/3
D200,593 S *	3/1965	Pettengill	D26/145
D221,892 S *	9/1971	Snyder	D26/142
D245,432 S *	8/1977	England	D13/102
D350,207 S *	8/1994	Goldberg	D25/34
D402,771 S *	12/1998	Broudy	D25/56
D408,554 S *	4/1999	Dinwoodie	D25/56
D470,964 S *	2/2003	Eiffert	D26/67

D571,716 S *	6/2008	Anderson	D13/102
D595,645 S *	7/2009	Beghelli	D13/102
D605,585 S *	12/2009	Conger	D13/102
D610,536 S *	2/2010	Brumels	D13/102
D611,404 S *	3/2010	Mackler	D13/102
D611,405 S *	3/2010	Mackler	D13/102
D617,486 S *	6/2010	Xiao et al.	D26/67
D657,735 S *	4/2012	Mackler	D13/102
D657,736 S *	4/2012	Mackler	D13/102
D657,737 S *	4/2012	Mackler	D13/102
D657,738 S *	4/2012	Mackler	D13/102
D664,916 S *	8/2012	Conger	D13/102
D668,215 S *	10/2012	Lerner et al.	D13/102
D671,885 S *	12/2012	Steinau	D13/102
D672,472 S *	12/2012	Dolceamore et al.	D25/22
D688,621 S *	8/2013	Mozzardi et al.	D13/102

* cited by examiner

Primary Examiner — Rosemary K Tarcza

(74) *Attorney, Agent, or Firm* — Krishna Kalidindi

(57) **CLAIM**

The design for a renewable energy production and charging station, as shown and described.

DESCRIPTION

FIG. 1 is a perspective view of a renewable energy production and charging station in accordance with a first embodiment of the design of the present invention.

FIG. 2 is a front view thereof.

FIG. 3 is back view thereof.

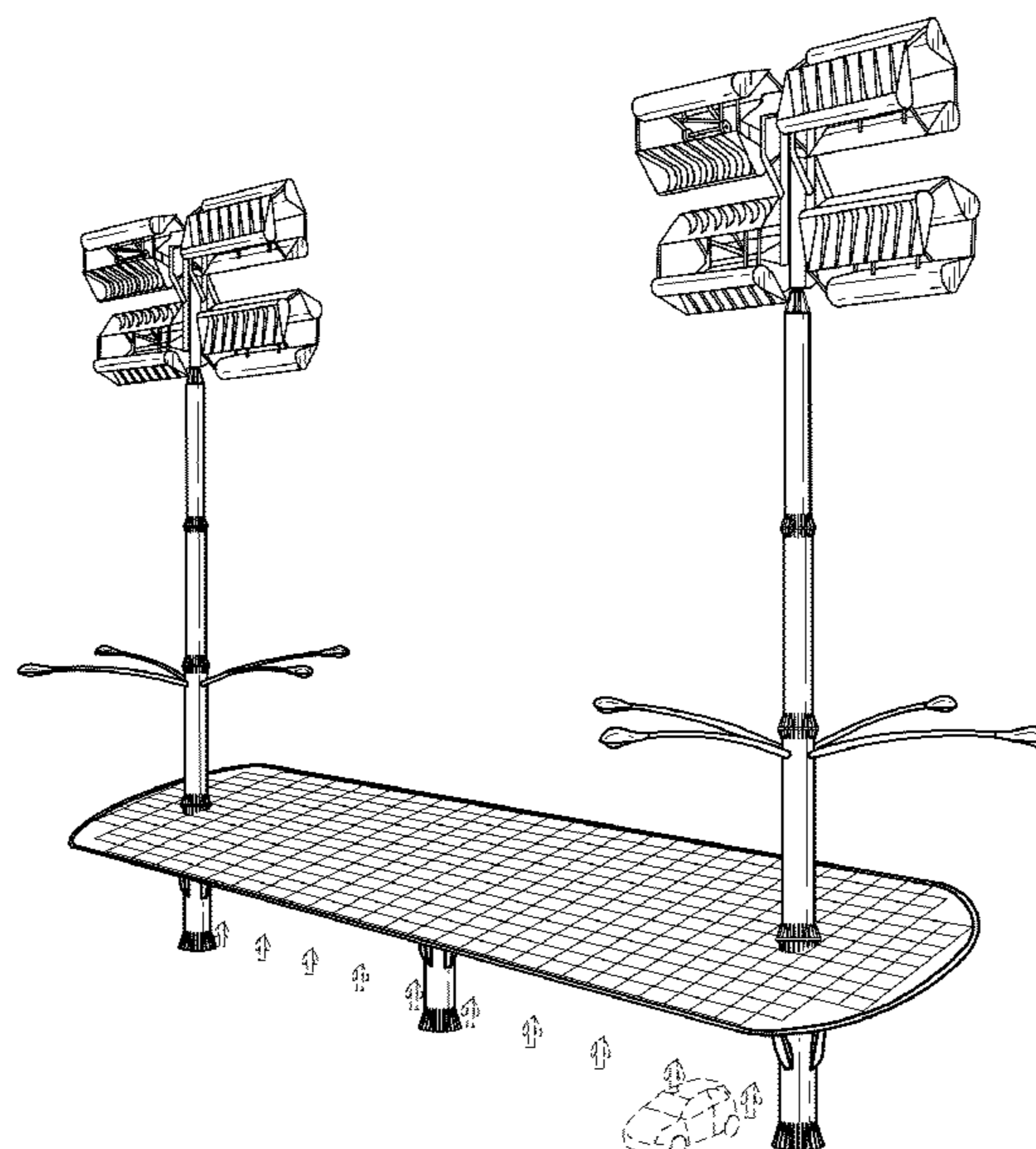
FIG. 4 is left side view thereof.

FIG. 5 is a right side view thereof; and,

FIG. 6 is a top view thereof.

Broken lines in the figures are for illustrative purposes only and form no part of the claimed design. Specifically, dashed lines define unclaimed features of the claimed design.

1 Claim, 5 Drawing Sheets



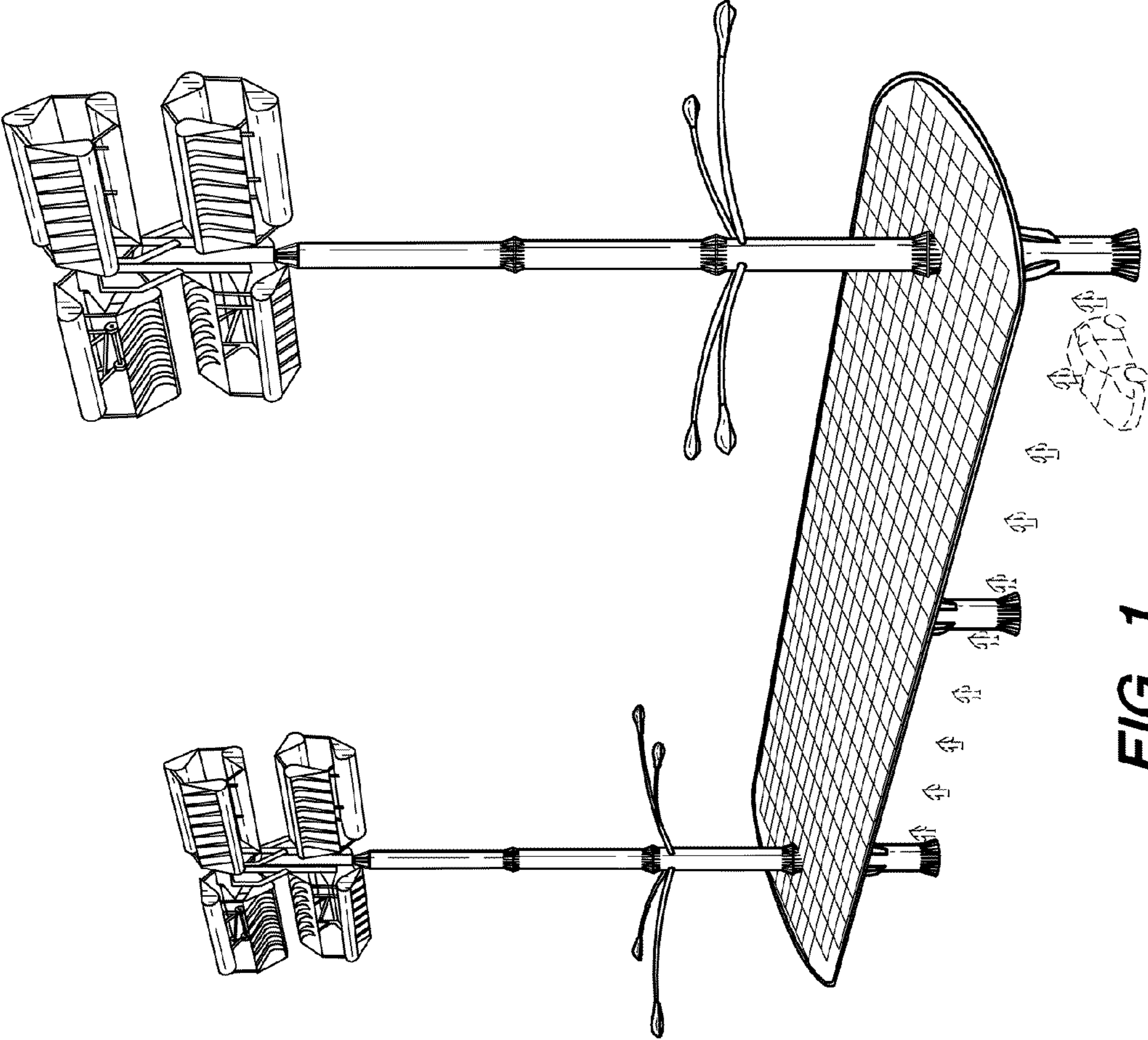


FIG. 1

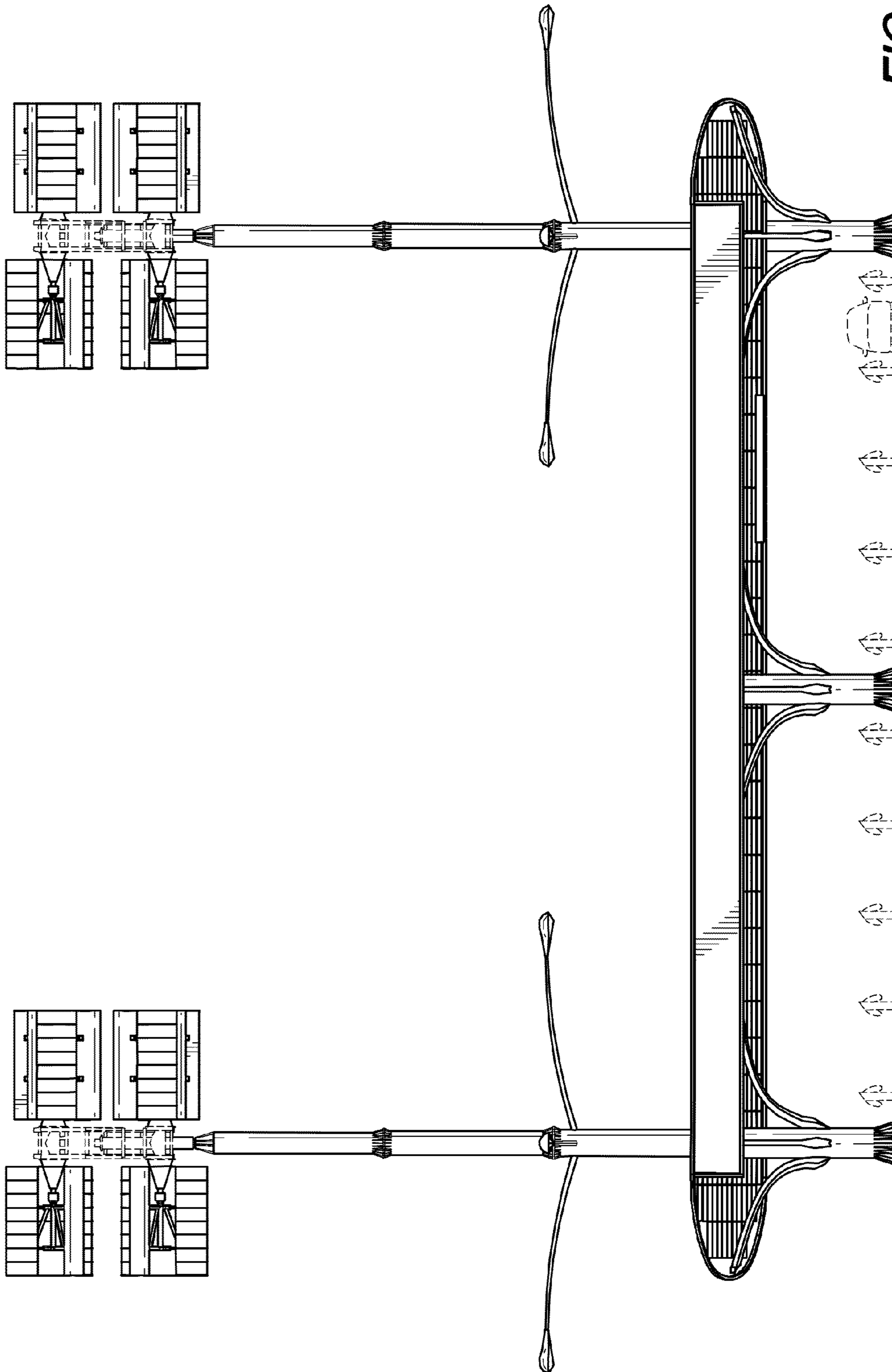


FIG. 2

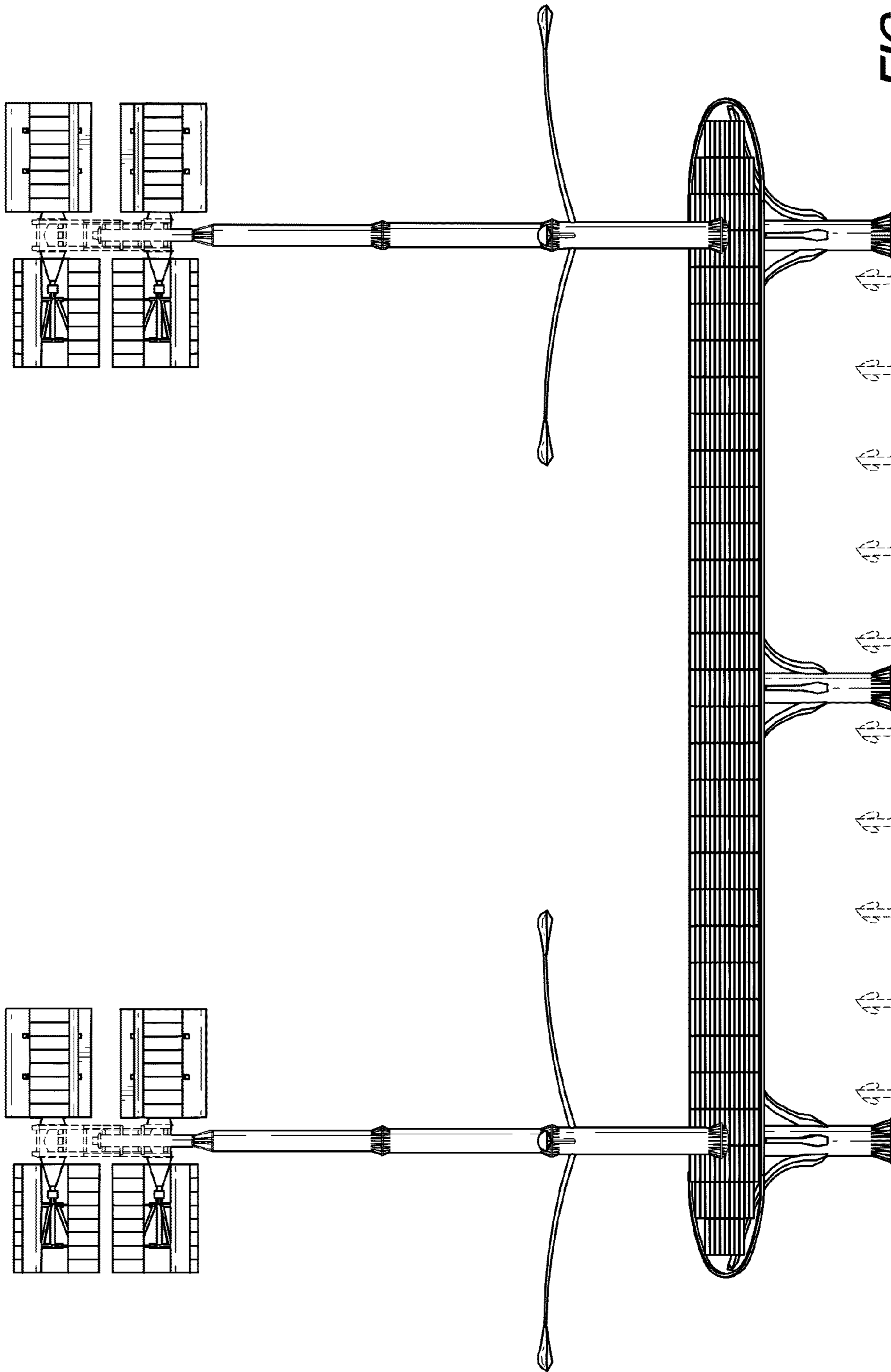


FIG. 3

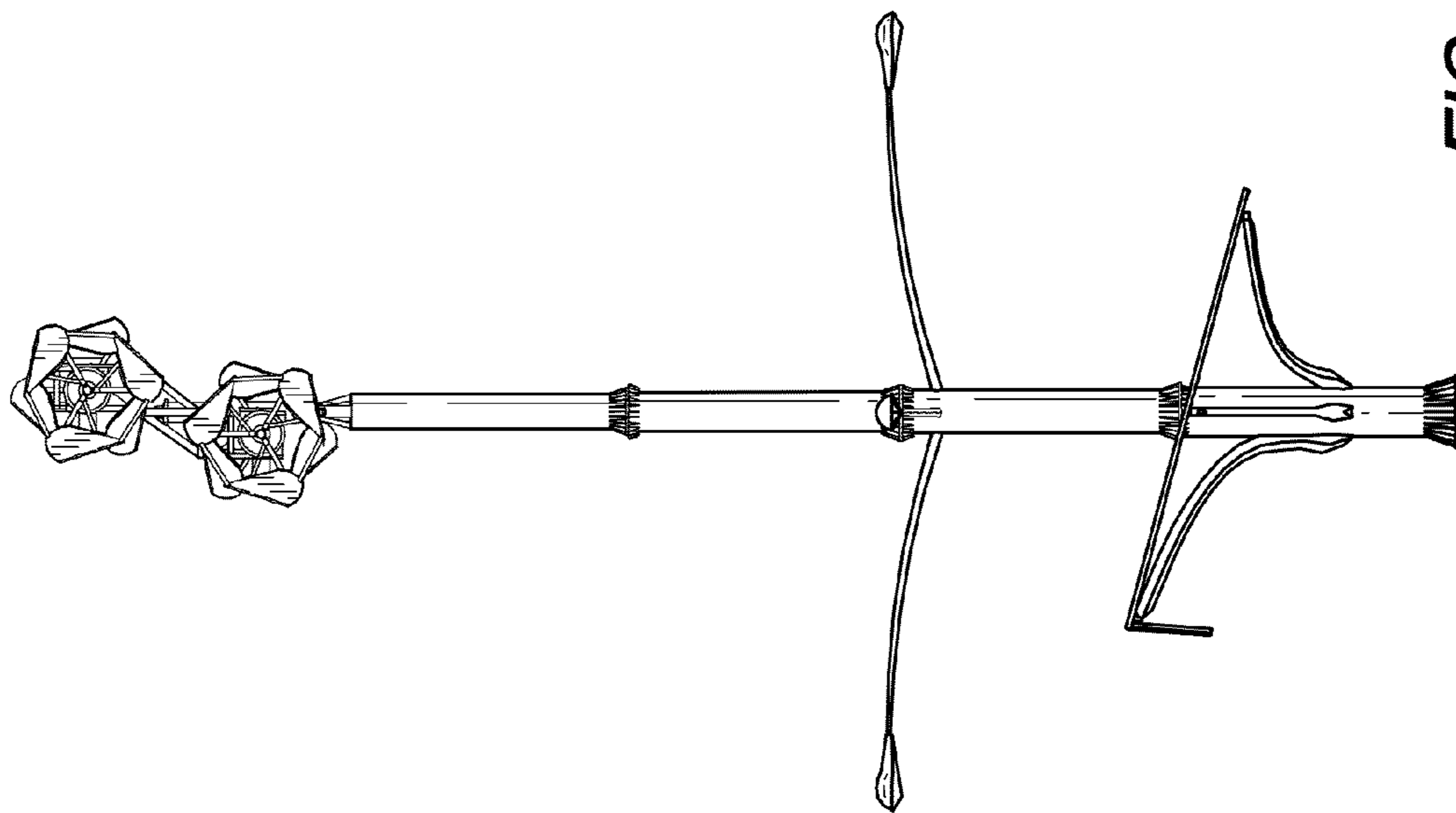


FIG. 5

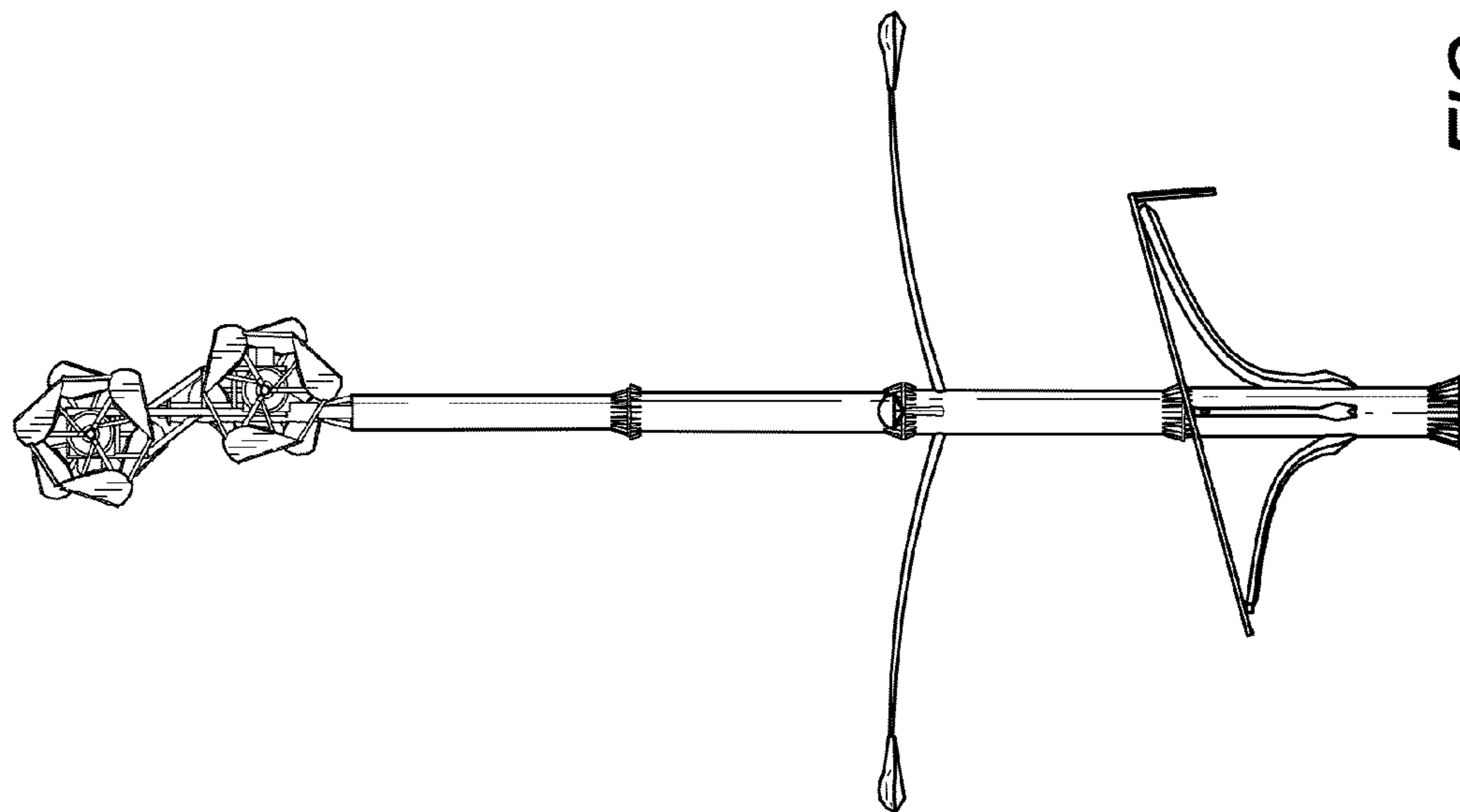


FIG. 4

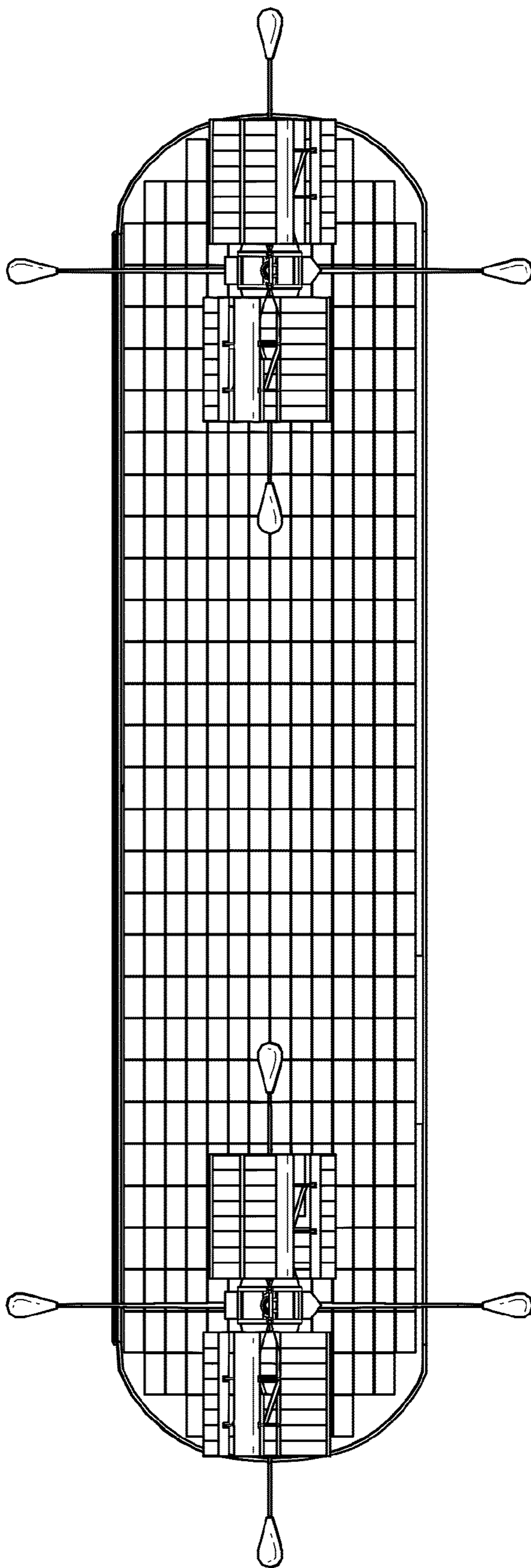


FIG. 6