



US00D709824S

(12) **United States Design Patent**
Evans et al.

(10) **Patent No.:** **US D709,824 S**
(45) **Date of Patent:** **** Jul. 29, 2014**

(54) **BATTERY FOR ELECTRIC SCOOTER**

(71) Applicant: **Mahindra Tractor Assembly, Inc.**, Palo Alto, CA (US)

(72) Inventors: **Roger Evans**, Ann Arbor, MI (US);
Joseph Bertrand, Canton, MI (US)

(73) Assignee: **Mahindra Tractor Assembly, Inc.**, Palo Alto, CA (US)

(**) Term: **14 Years**

(21) Appl. No.: **29/467,390**

(22) Filed: **Sep. 18, 2013**

(51) **LOC (10) Cl.** **13-02**

(52) **U.S. Cl.**
USPC **D13/103**

(58) **Field of Classification Search**
USPC D13/102–104, 110, 118–121, 184, 199;
429/96–100, 163, 176; D12/107, 110,
D12/128, 131, 133; D21/421, 423;
180/219–220

See application file for complete search history.

(56) **References Cited**

U.S. PATENT DOCUMENTS

5,613,569	A	3/1997	Sugioka et al.	
D414,220	S *	9/1999	Catto	D21/423
6,324,464	B1	11/2001	Lee et al.	
6,457,544	B1 *	10/2002	Sung	180/220
D481,008	S *	10/2003	Wade	D13/103
D547,241	S *	7/2007	Dornbusch	D12/110
7,255,191	B2 *	8/2007	Baldwin et al.	180/220
D551,722	S *	9/2007	Chang et al.	D21/421
D554,579	S *	11/2007	Ogasawara	D13/103
D554,580	S *	11/2007	Ogasawara	D13/103
D559,175	S *	1/2008	Houghton	D13/103
D596,992	S	7/2009	Yang	
D618,167	S *	6/2010	Tiffe	D13/103

D622,637	S	8/2010	Schneider	
D638,787	S *	5/2011	Tanaka et al.	D13/103
D654,853	S *	2/2012	Bacon et al.	D13/103
D679,223	S	4/2013	Loasby et al.	
D680,061	S *	4/2013	Jiang et al.	D13/103
D685,729	S *	7/2013	Lyman	D13/103
D687,741	S	8/2013	Zhang	
8,505,668	B2	8/2013	Iwakami et al.	
D697,024	S *	1/2014	Lathrop et al.	D13/103
2012/0193155	A1	8/2012	Hasegawa et al.	
2013/0161108	A1	6/2013	Watanabe et al.	

* cited by examiner

Primary Examiner — Rosemary K Tarcza

(74) *Attorney, Agent, or Firm* — Price Heneveld LLP

(57) **CLAIM**

We claim the ornamental design for a battery for electric scooter, as shown and described.

DESCRIPTION

FIG. 1 is a side perspective view of the battery for electric scooter showing the design.

FIG. 2 is a front elevational view of the battery for electric scooter showing the design.

FIG. 3 is a left side elevational view of the battery for electric scooter showing the design.

FIG. 4 is a right side elevational view of the battery for electric scooter showing the design.

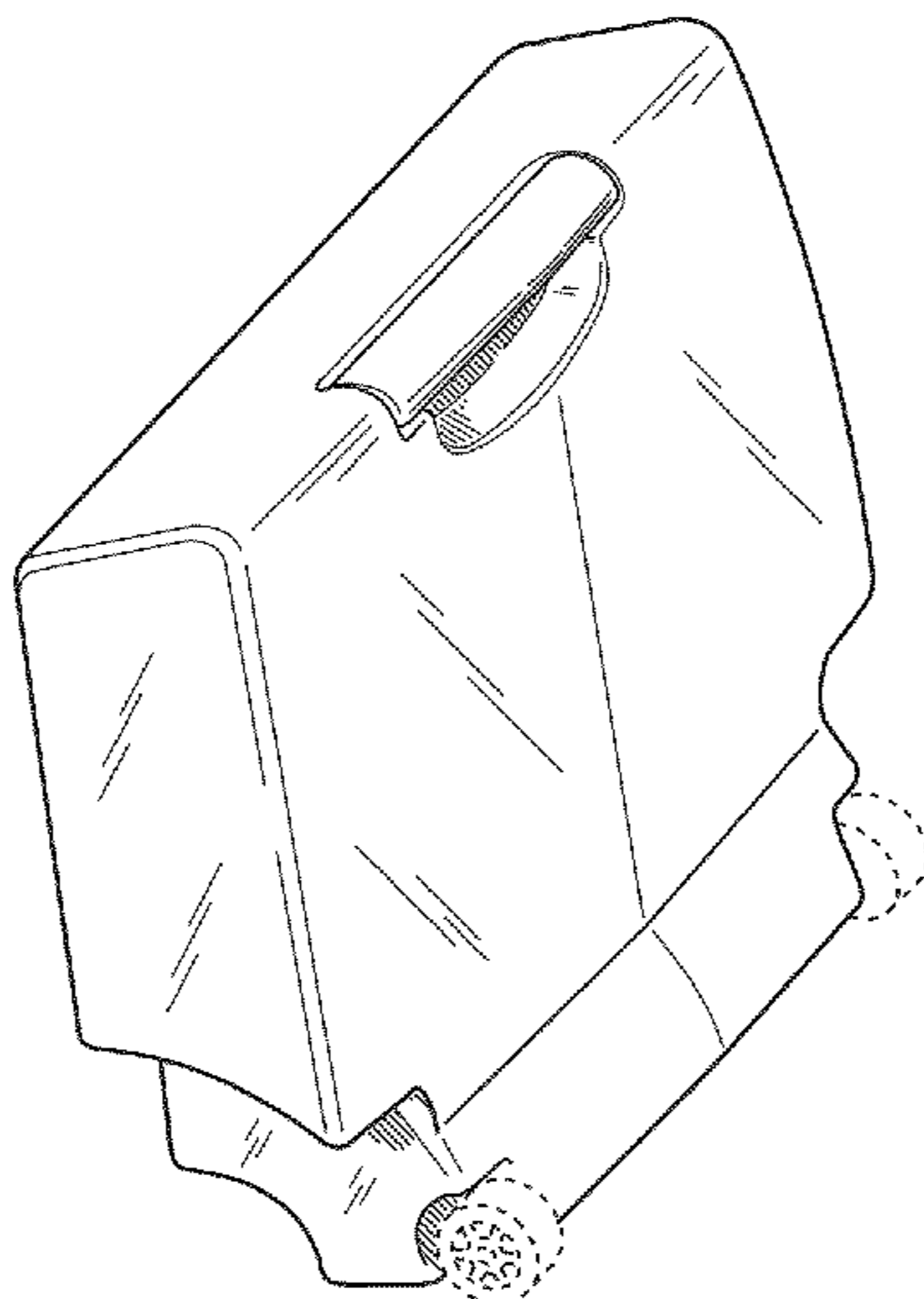
FIG. 5 is a rear elevational view of the battery for electric scooter showing the design.

FIG. 6 is a top perspective view of the battery for electric scooter showing the design; and,

FIG. 7 is a bottom perspective view of the battery for electric scooter showing the design.

The broken lines showing portions of the battery for electric scooter in the drawings are included for the purpose of illustrating environmental structure and form no part of the claimed design.

1 Claim, 3 Drawing Sheets



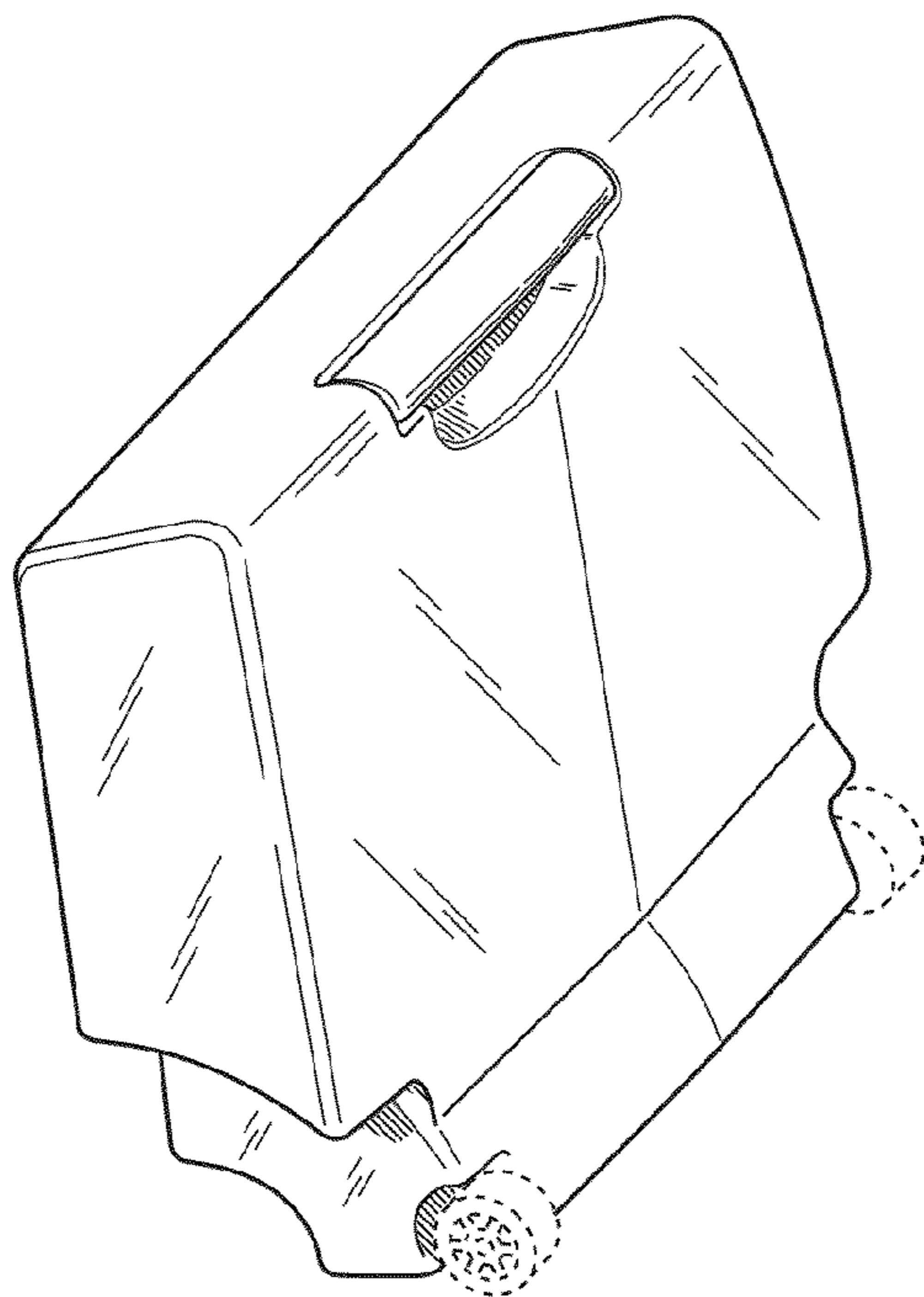


FIG. 1

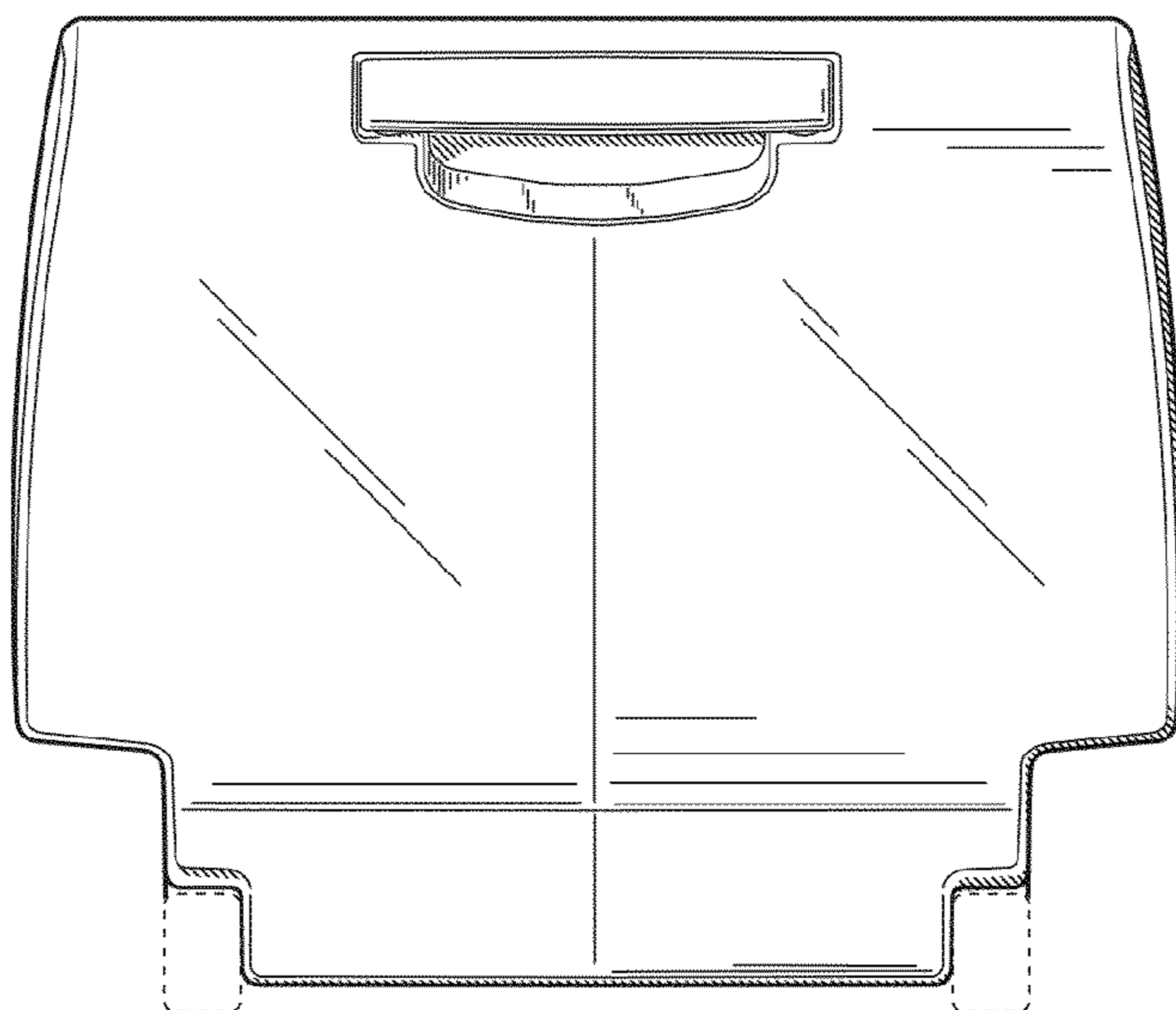


FIG. 2

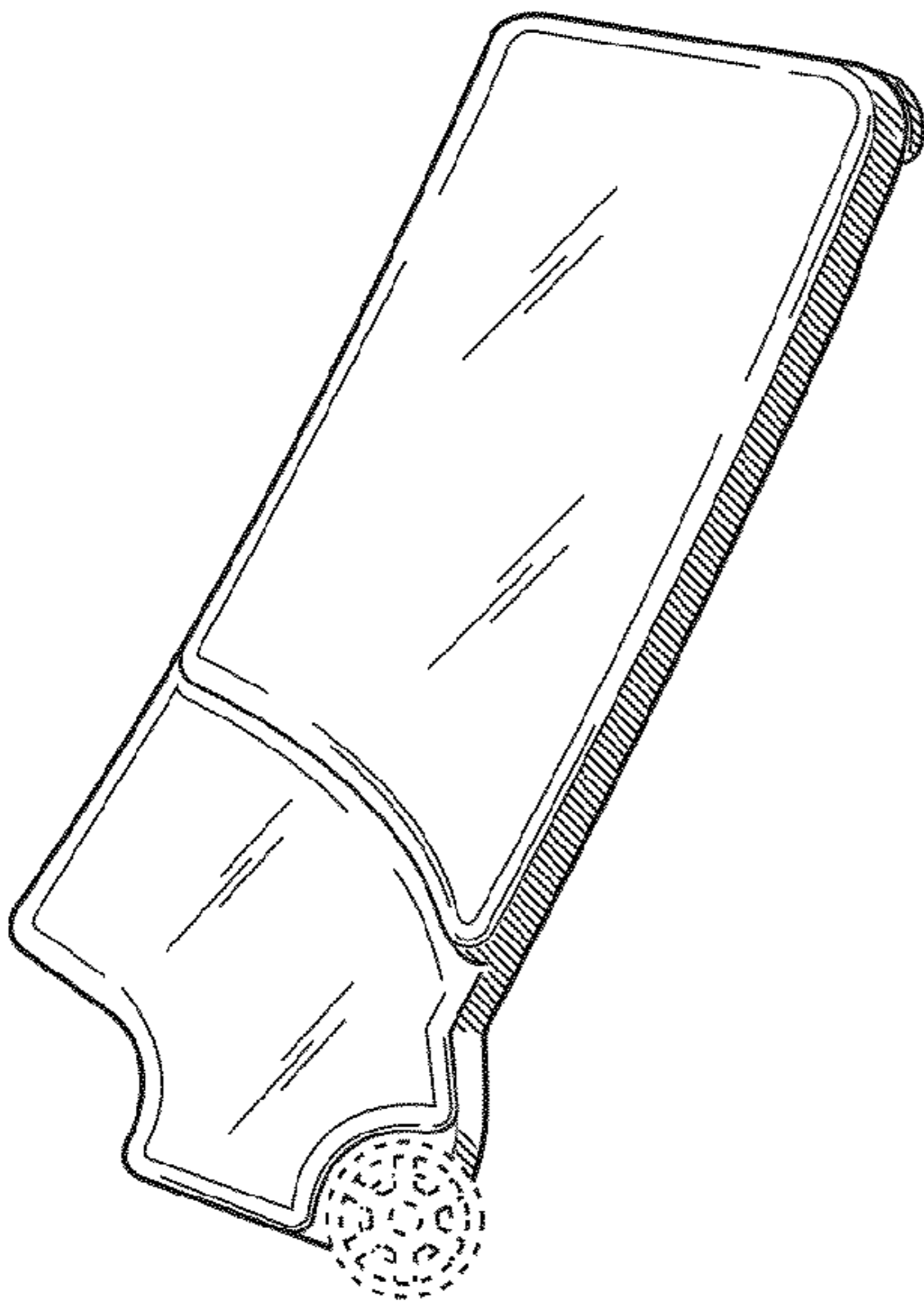


FIG. 3

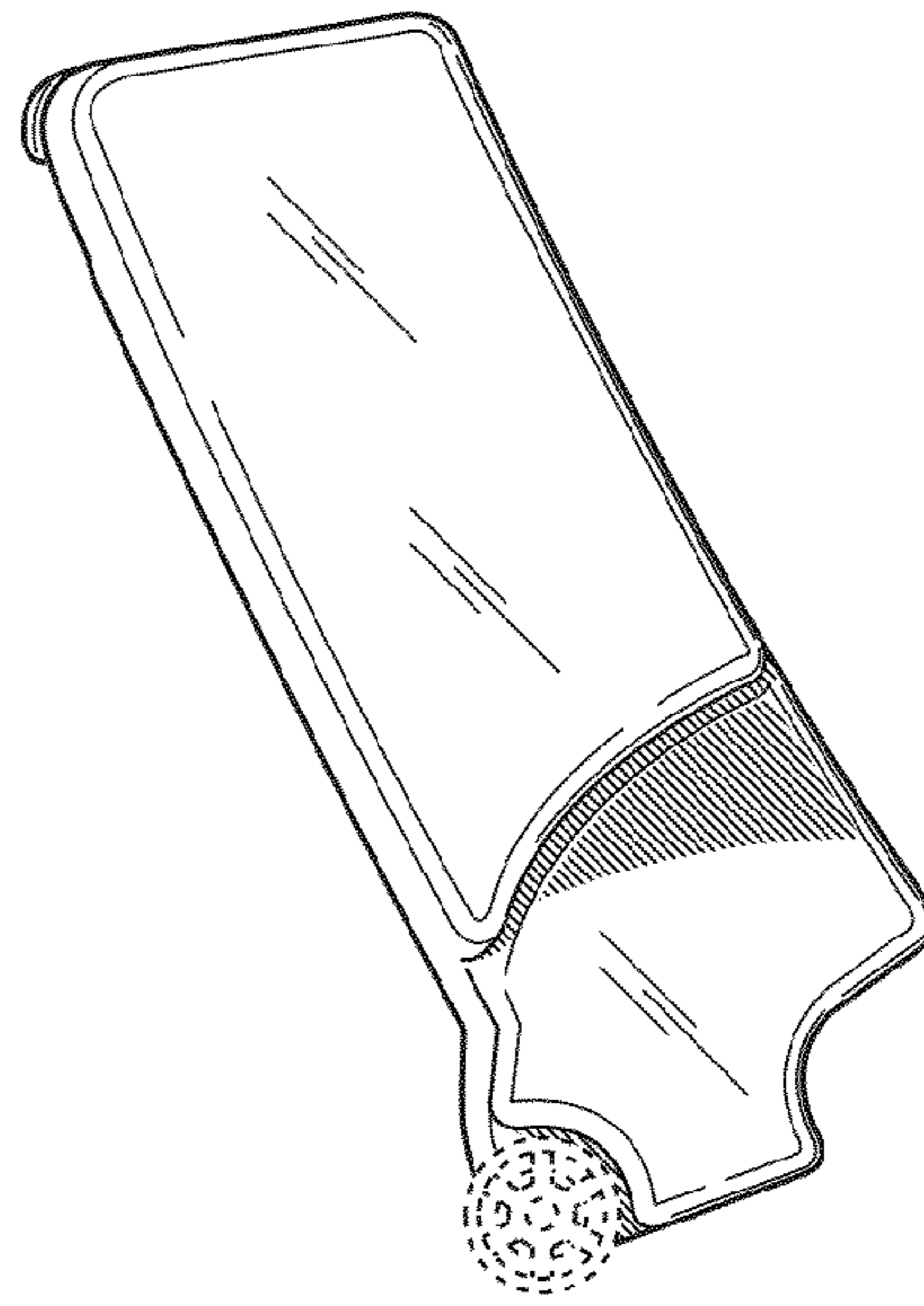


FIG. 4

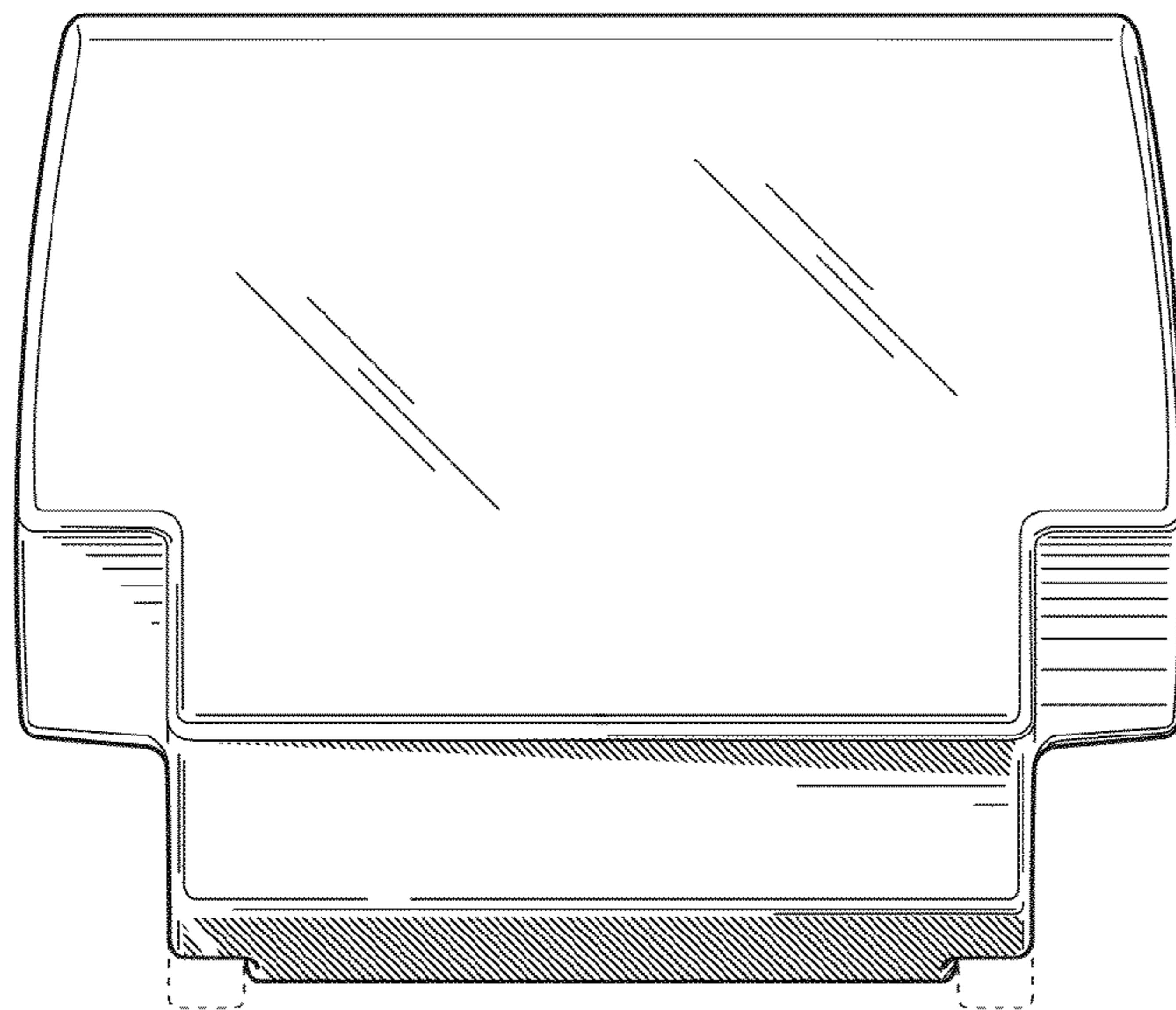


FIG. 5

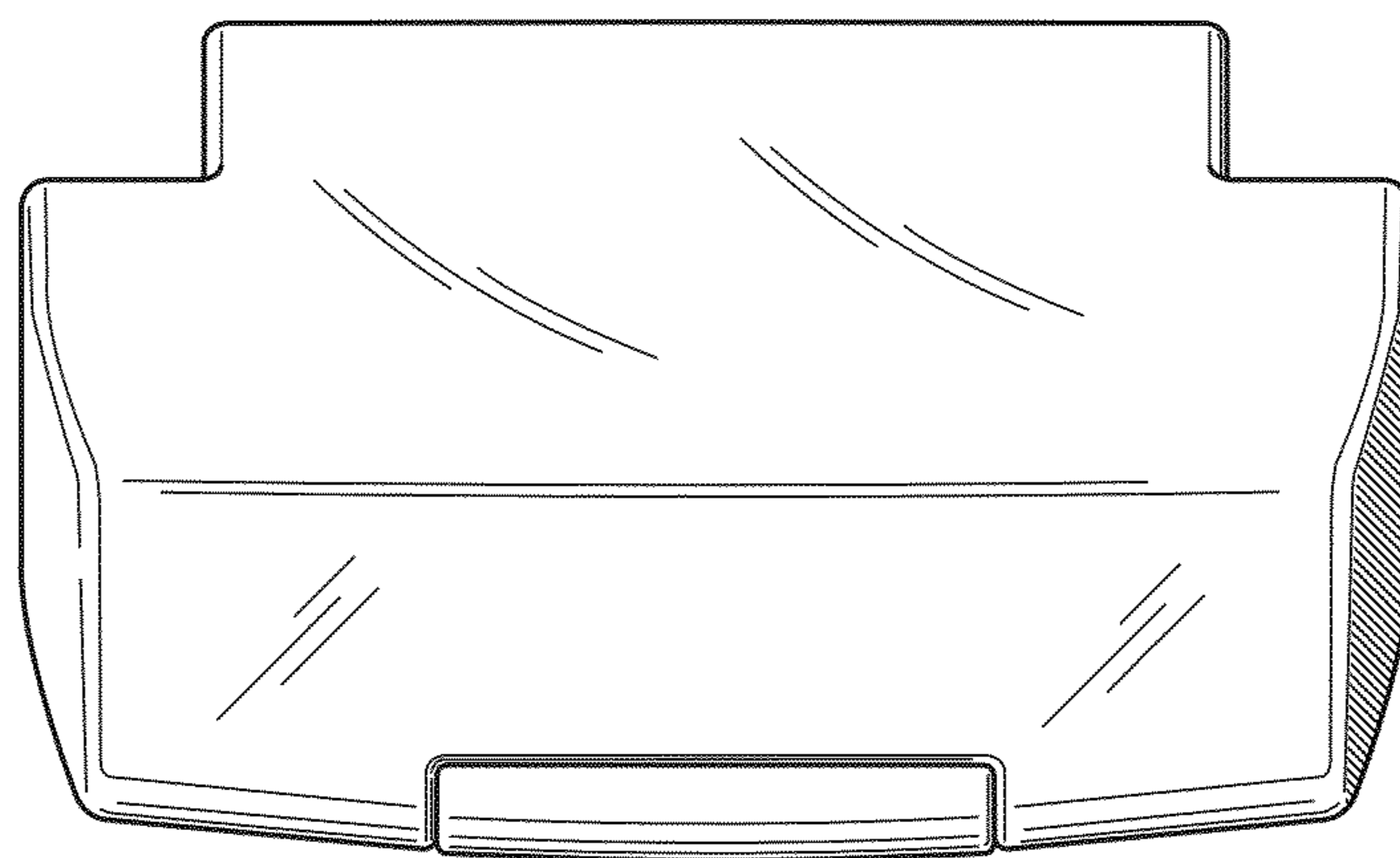


FIG. 6

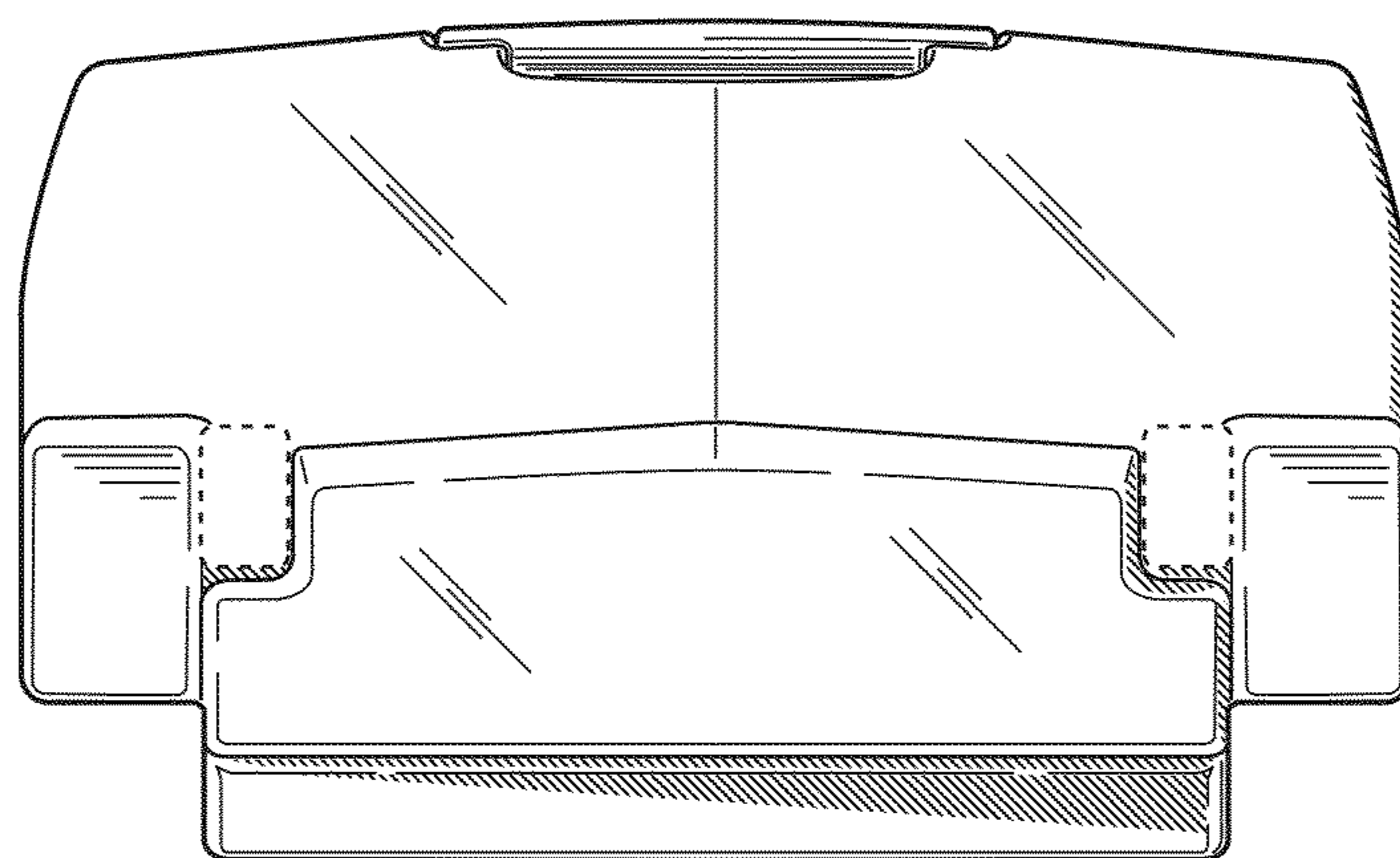


FIG. 7