



US00D709823S

(12) **United States Design Patent**
Corley et al.

(10) **Patent No.:** **US D709,823 S**
(45) **Date of Patent:** **** Jul. 29, 2014**

(54) **AUXILIARY BATTERY**
(71) Applicant: **Blackberry Limited**, Waterloo (CA)
(72) Inventors: **Cortez Corley**, Waterloo (CA); **Anders Fahrendorff**, Ottawa (CA); **Todd Andrew Wood**, Toronto (CA); **Dustin Jonathan Smith**, Chicago, IL (US)
(73) Assignee: **BlackBerry Limited**, Waterloo, Ontario (CA)

D657,308 S * 4/2012 Fahrendorff et al. D13/107
D661,248 S * 6/2012 Fahrendorff et al. D13/107
D662,878 S * 7/2012 Fahrendorff et al. D13/107
D667,788 S * 9/2012 Mai D13/110
D682,777 S * 5/2013 Gupta et al. D13/103
D684,926 S * 6/2013 Murchison et al. D13/107
D685,320 S * 7/2013 Murchison et al. D13/107
D686,150 S * 7/2013 Lee et al. D13/103
D686,152 S * 7/2013 Lee et al. D13/103
D686,153 S * 7/2013 Qu D13/103
D692,826 S * 11/2013 Aida et al. D13/108
D694,703 S * 12/2013 Faro D13/103
D697,865 S * 1/2014 Saito et al. D13/103

(**) Term: **14 Years**

* cited by examiner

(21) Appl. No.: **29/466,779**

Primary Examiner — Rosemary K Tarcza

(22) Filed: **Sep. 11, 2013**

(51) **LOC (10) Cl.** **13-02**

(52) **U.S. Cl.**
USPC **D13/103**

(58) **Field of Classification Search**
USPC D13/102–104, 107–108, 110, 118–121,
D13/184, 199; 429/96–100, 163, 176;
320/107–115; D14/432, 439
See application file for complete search history.

(56) **References Cited**

U.S. PATENT DOCUMENTS

D343,381 S * 1/1994 Inukai et al. D13/107
D612,329 S * 3/2010 Guccione et al. D13/108
D652,377 S * 1/2012 Butts et al. D13/107

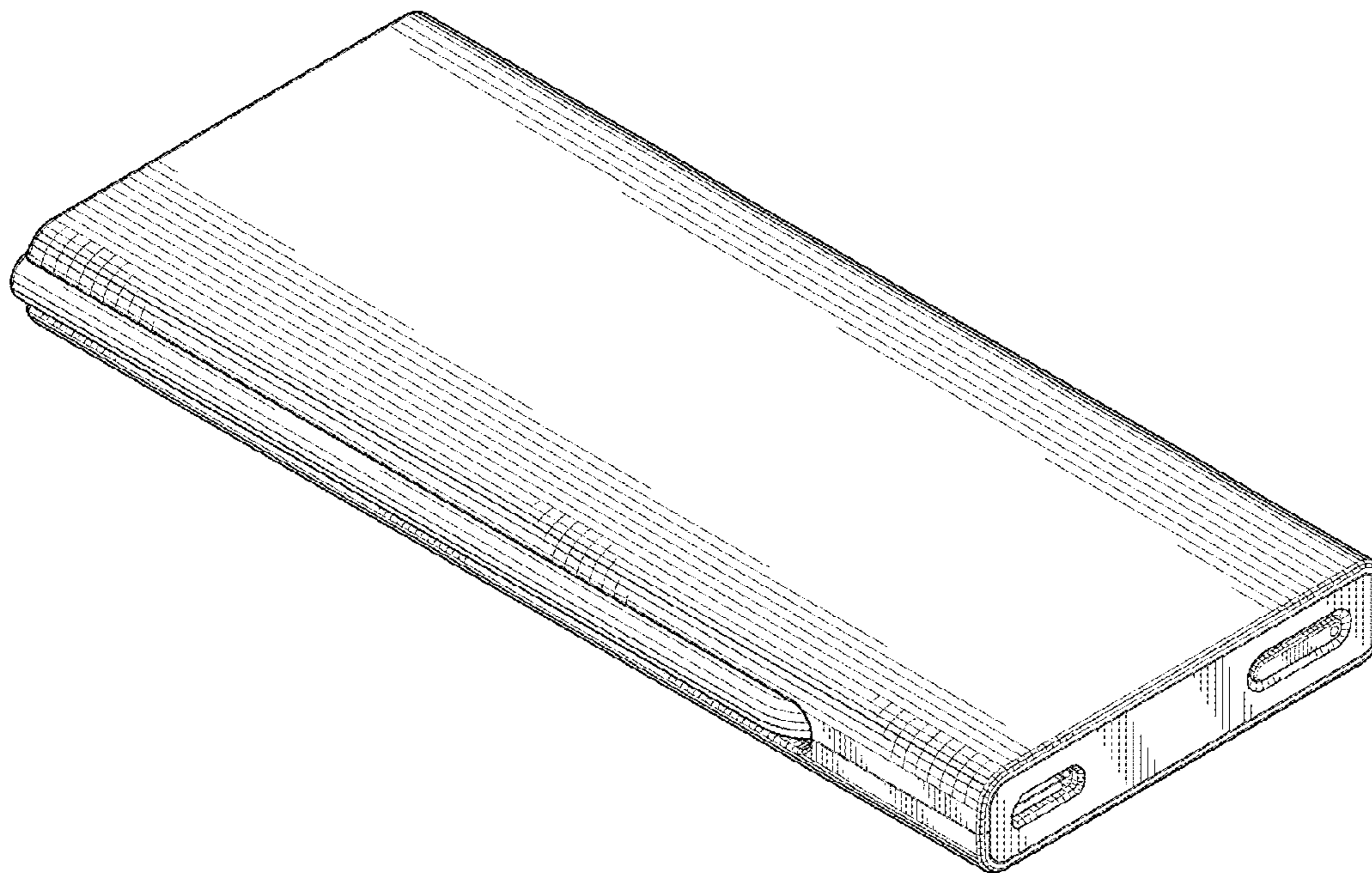
(57) **CLAIM**

The ornamental design for an auxiliary battery, as shown and described.

DESCRIPTION

FIG. 1 is a first perspective view of an auxiliary battery;
FIG. 2 is a second perspective view thereof;
FIG. 3 is a side elevation view thereof;
FIG. 4 is a second side elevation view thereof;
FIG. 5 is a third side elevation view thereof;
FIG. 6 is a fourth side elevation view thereof;
FIG. 7 is a top plan view thereof; and,
FIG. 8 is a bottom plan view thereof.

1 Claim, 4 Drawing Sheets



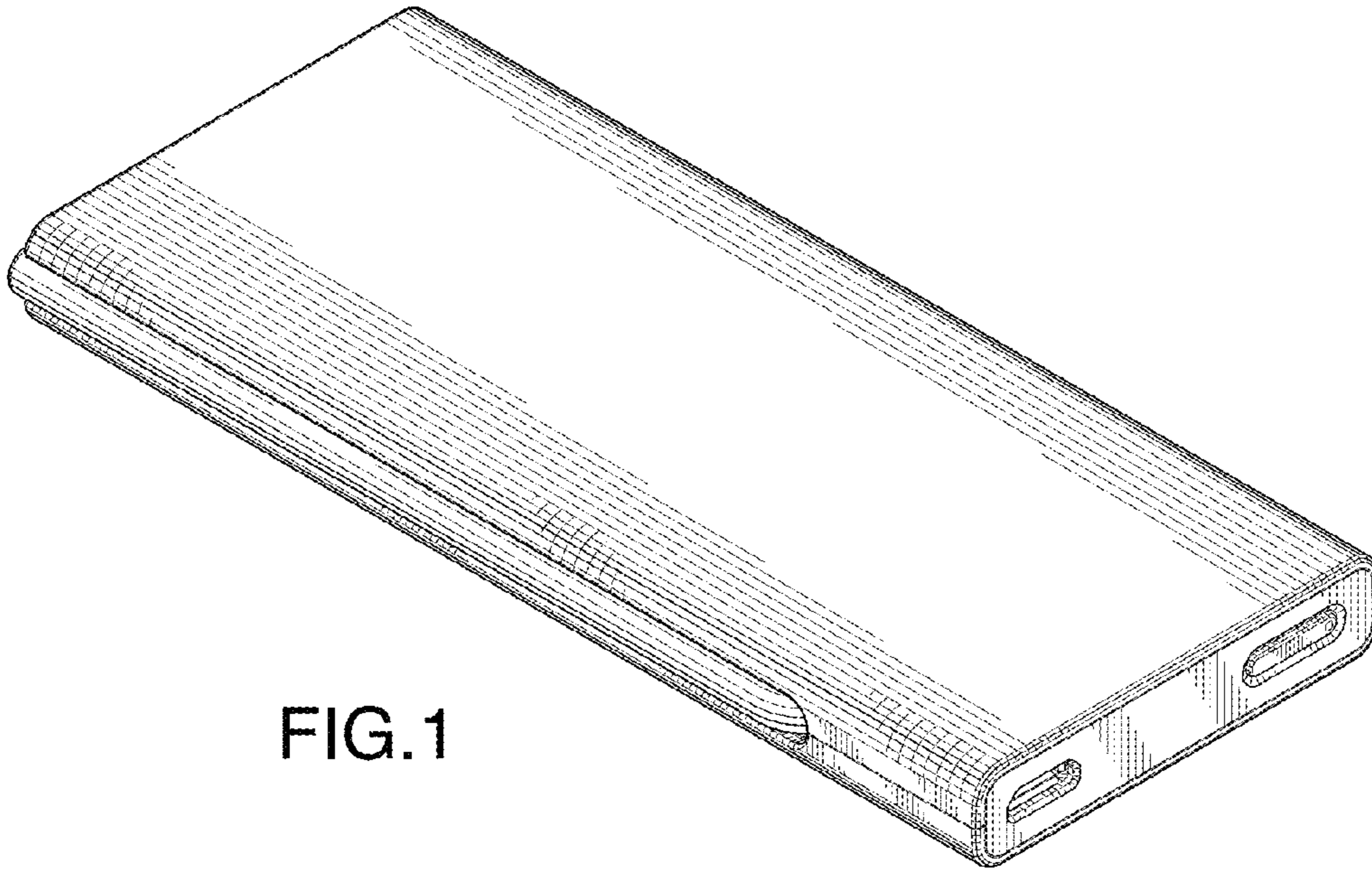


FIG. 1

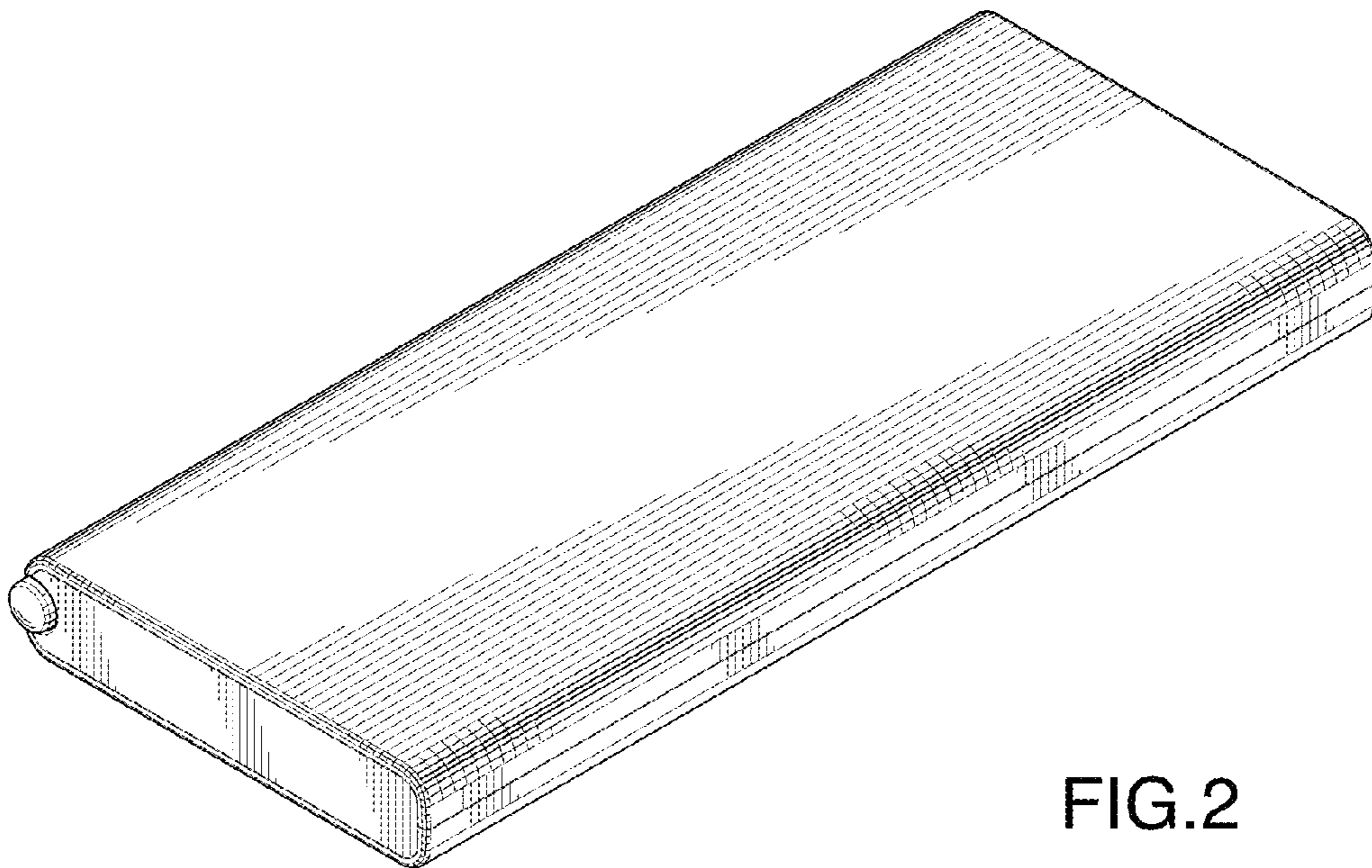


FIG. 2



FIG. 4

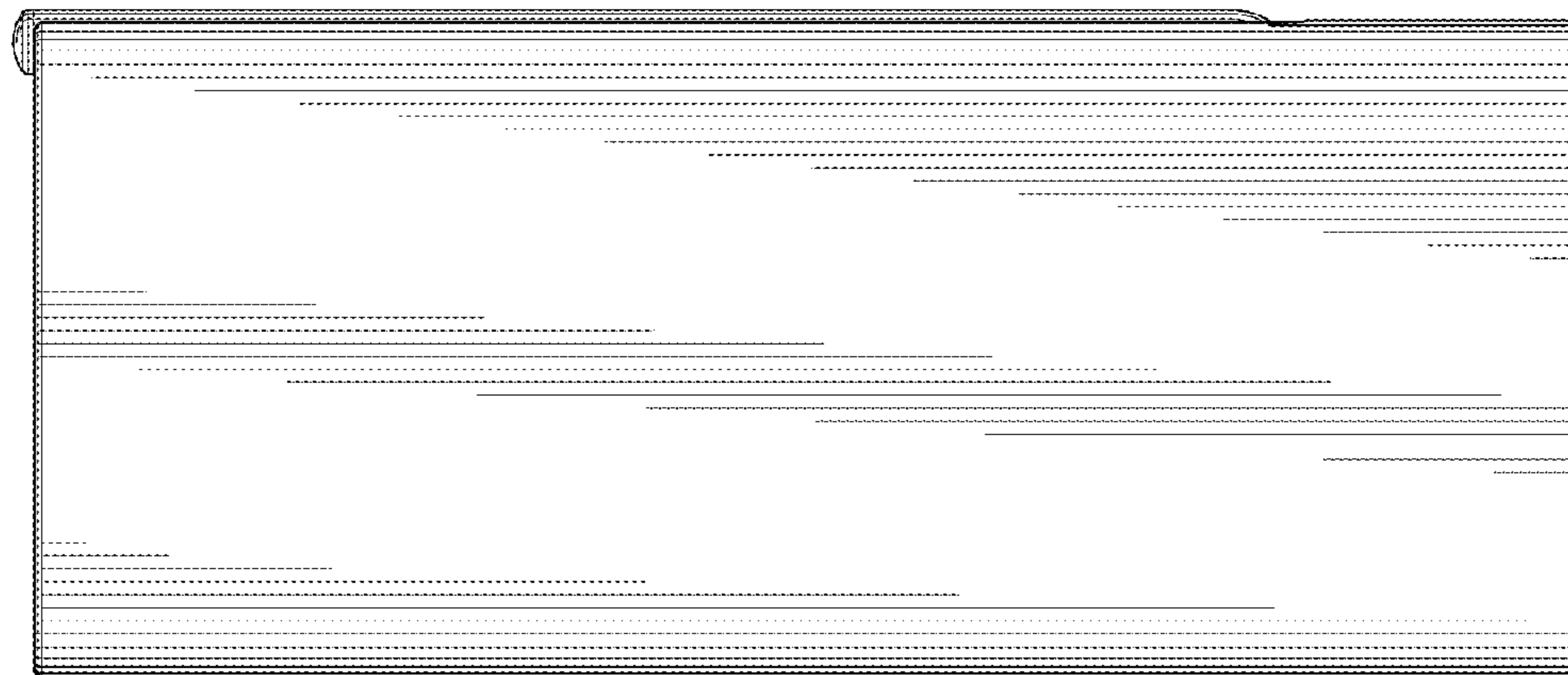


FIG. 3

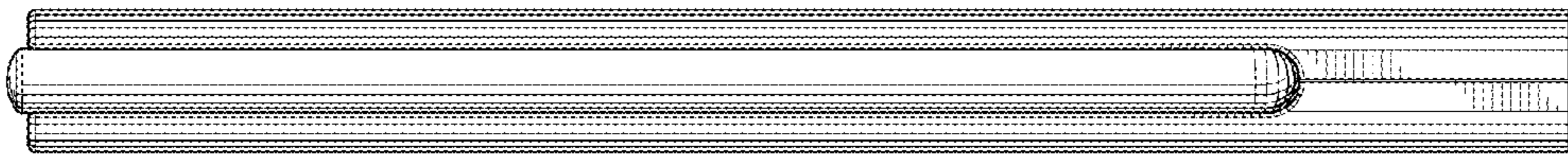


FIG.5

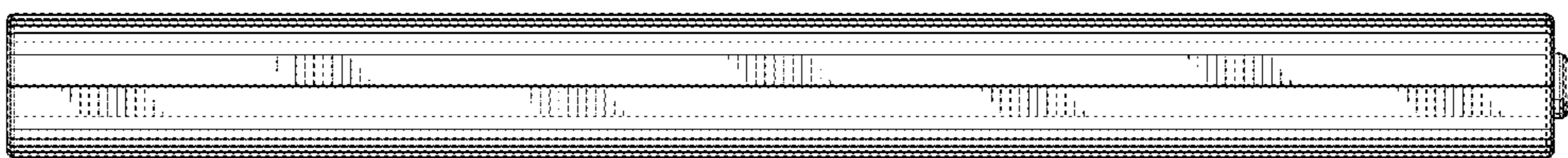


FIG.6

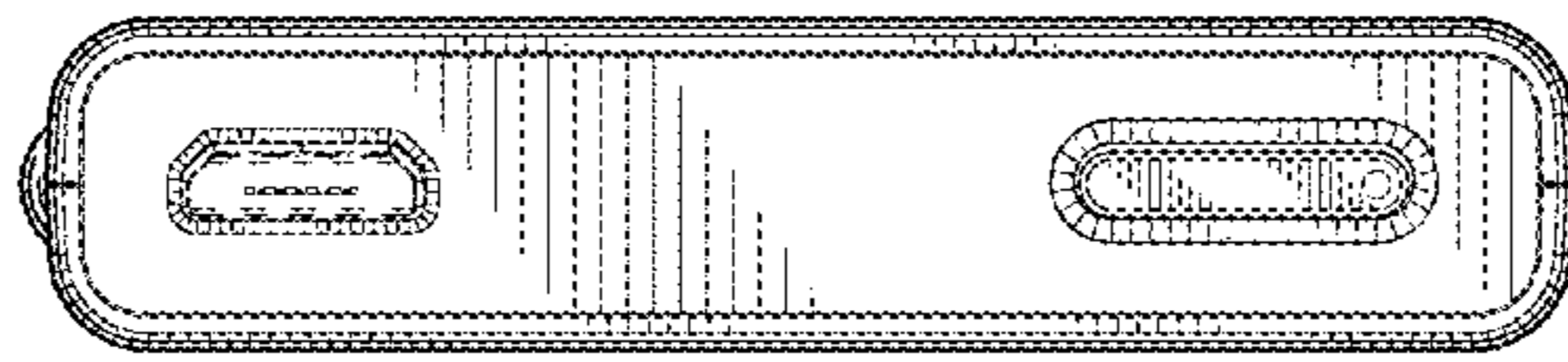


FIG. 7

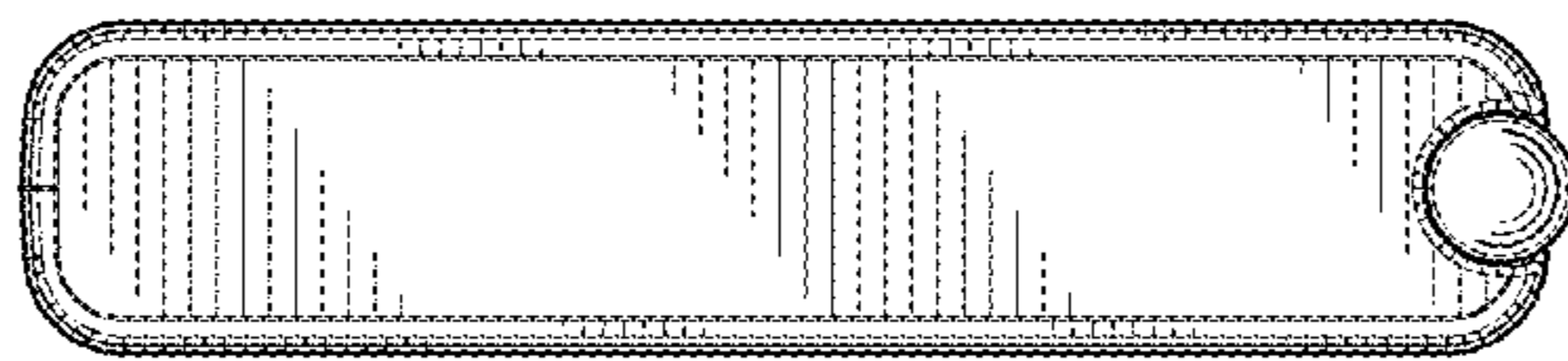


FIG. 8