



US00D709818S

(12) **United States Design Patent**  
**Zhang**

(10) **Patent No.:** **US D709,818 S**

(45) **Date of Patent:** **\*\* Jul. 29, 2014**

(54) **CAR ROOF RACK CLAMPER**

(71) Applicant: **Pu-Lun Zhang**, Kaohsiung (TW)

(72) Inventor: **Pu-Lun Zhang**, Kaohsiung (TW)

(\*\*) Term: **14 Years**

(21) Appl. No.: **29/471,371**

(22) Filed: **Oct. 31, 2013**

(51) **LOC (10) Cl.** ..... **12-16**

(52) **U.S. Cl.**  
USPC ..... **D12/412**

(58) **Field of Classification Search**  
USPC ..... D12/412, 406, 413, 414, 414.1;  
293/37.1, 3, 100; 224/309–310,  
224/315–316, 323–329, 400; D6/552;  
280/760–762, 848, 727, 769;  
D3/304–306

See application file for complete search history.

(56) **References Cited**

**U.S. PATENT DOCUMENTS**

D172,817 S *	8/1954	Binding	.....	D12/412
3,437,248 A *	4/1969	Allen	.....	224/513
D221,299 S *	7/1971	Burland	.....	D12/190
D495,654 S *	9/2004	Elwell et al.	.....	D12/414
D499,372 S *	12/2004	Andersson	.....	D12/414
D592,120 S *	5/2009	Grasso et al.	.....	D12/220
D609,154 S *	2/2010	Rider et al.	.....	D12/209

D626,494 S *	11/2010	Gates et al.	.....	D12/412
D628,949 S *	12/2010	Farber	.....	D12/412
D638,345 S *	5/2011	Kanczuzewski et al.	....	D12/406
D660,778 S *	5/2012	An et al.	.....	D12/220
D669,017 S *	10/2012	Robertson	.....	D12/412
2008/0197162 A1 *	8/2008	Klinkman et al.	.....	224/314

\* cited by examiner

*Primary Examiner* — Katrina A Betton

(74) *Attorney, Agent, or Firm* — Rosenberg, Klein & Lee

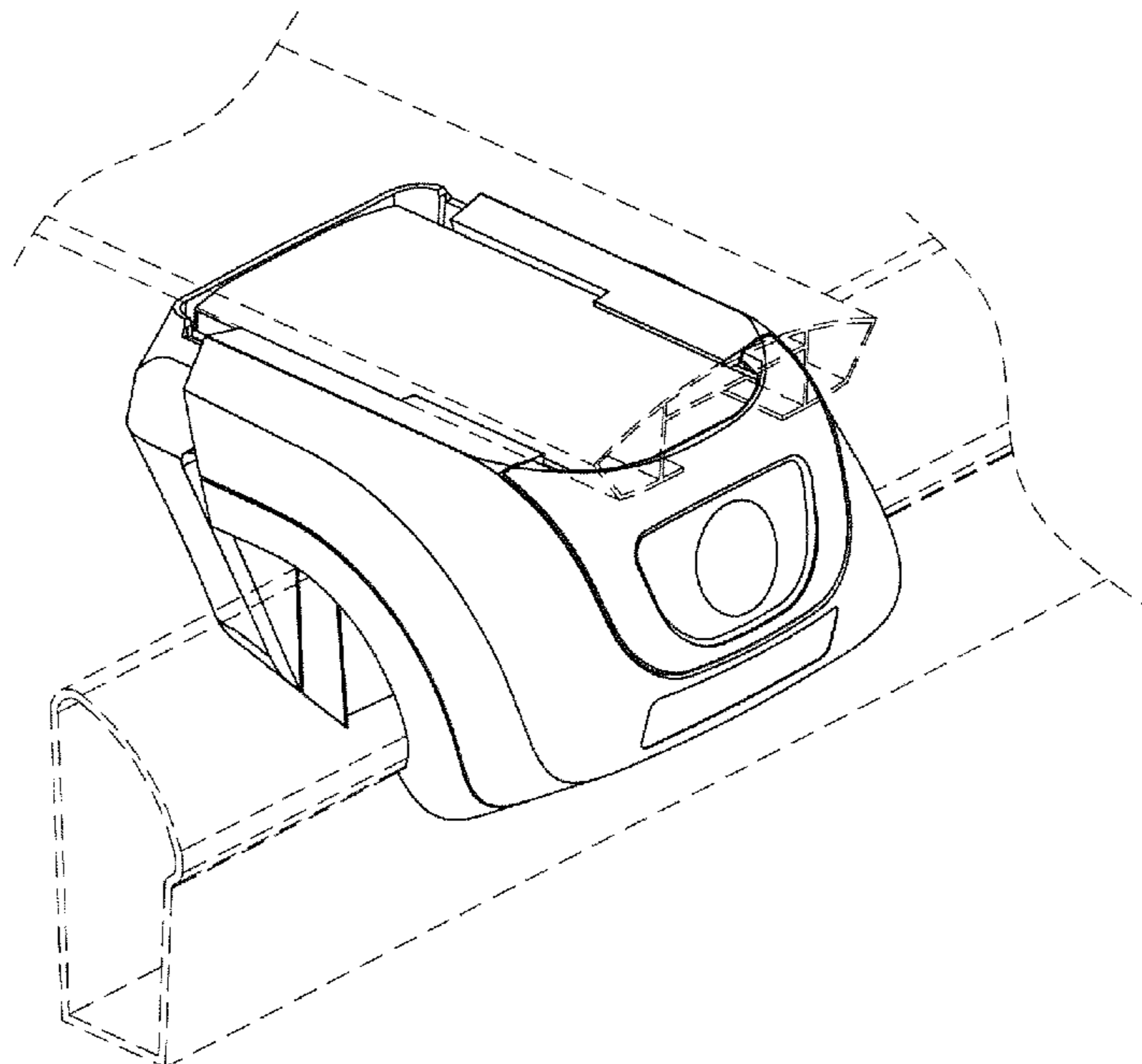
(57) **CLAIM**

The ornamental design for a car roof rack clamber, as shown and described.

**DESCRIPTION**

FIG. 1 is a perspective view of a car roof rack clamber of the new design;  
 FIG. 2 is a front elevation view thereof;  
 FIG. 3 is a rear elevation view thereof;  
 FIG. 4 is a left side view thereof;  
 FIG. 5 is a right side view thereof;  
 FIG. 6 is a top plan view thereof;  
 FIG. 7 is a bottom plan view thereof;  
 FIG. 8 is a use schematics view of a car roof rack clamber; and,  
 FIG. 9 is another use schematics view of two car roof rack clammers.  
 In the drawings, the broken lines in FIGS. 8 and 9 depict portions of a vehicle and form no part of the claimed design.

**1 Claim, 6 Drawing Sheets**



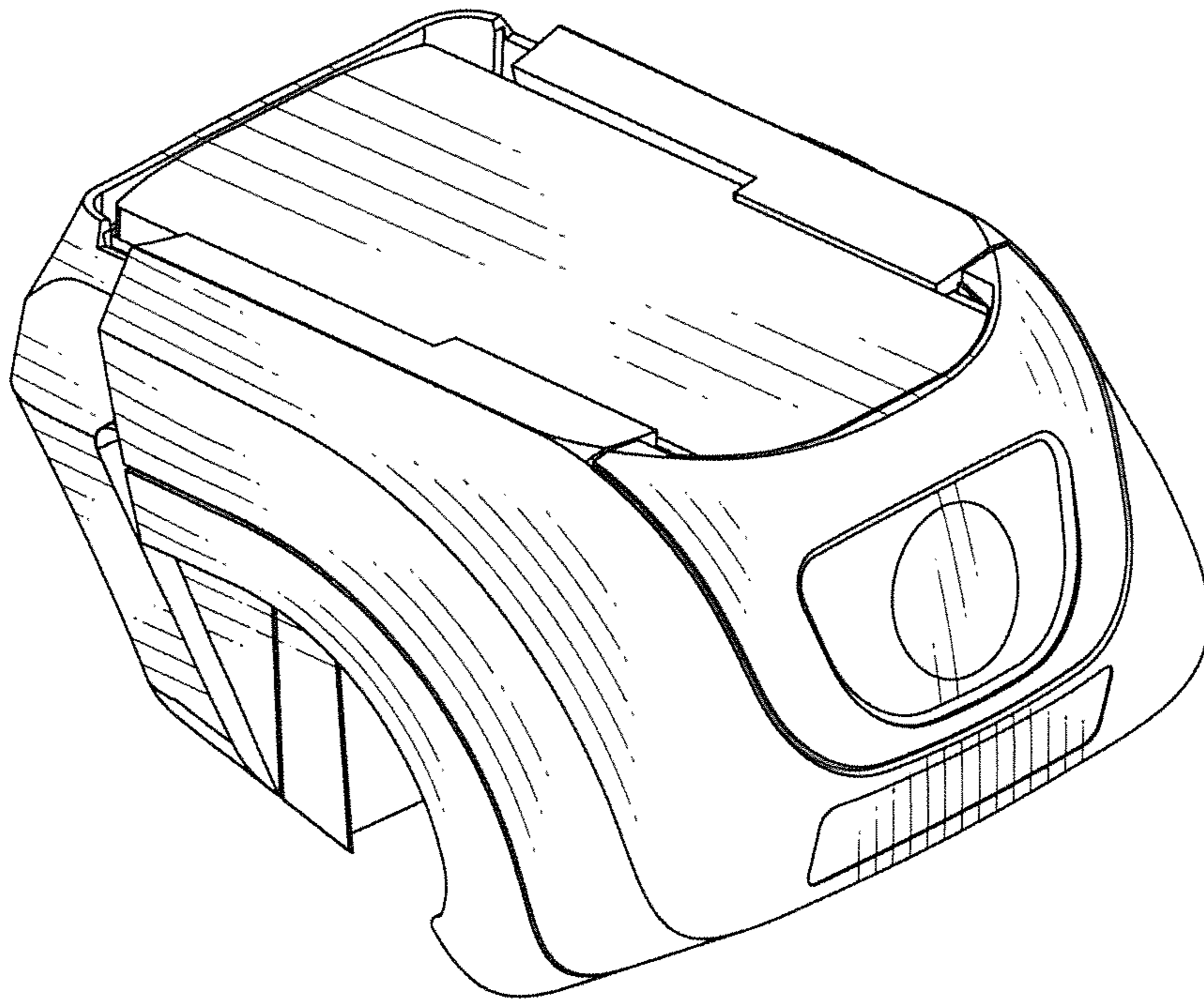


FIG. 1

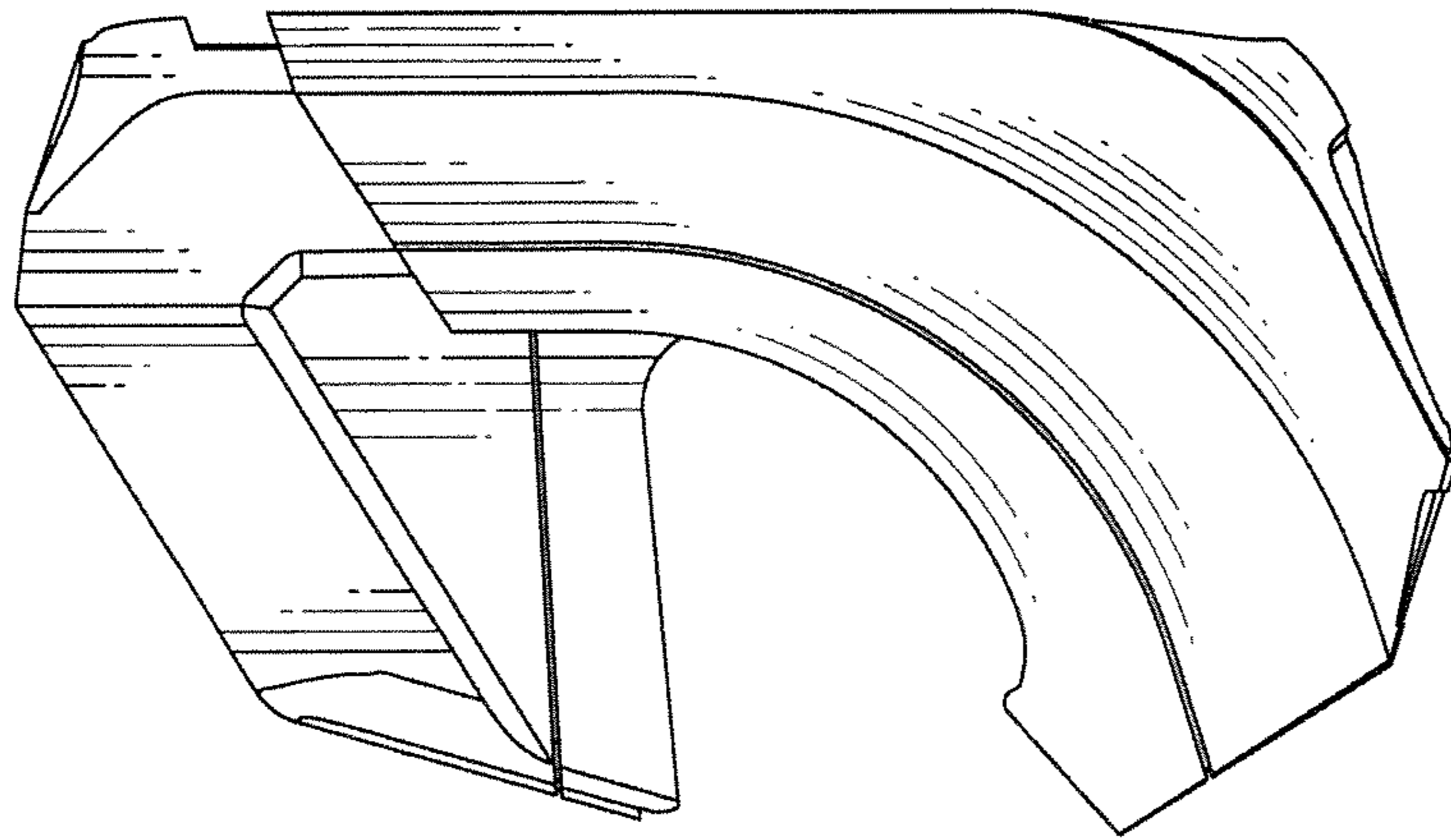


FIG. 2

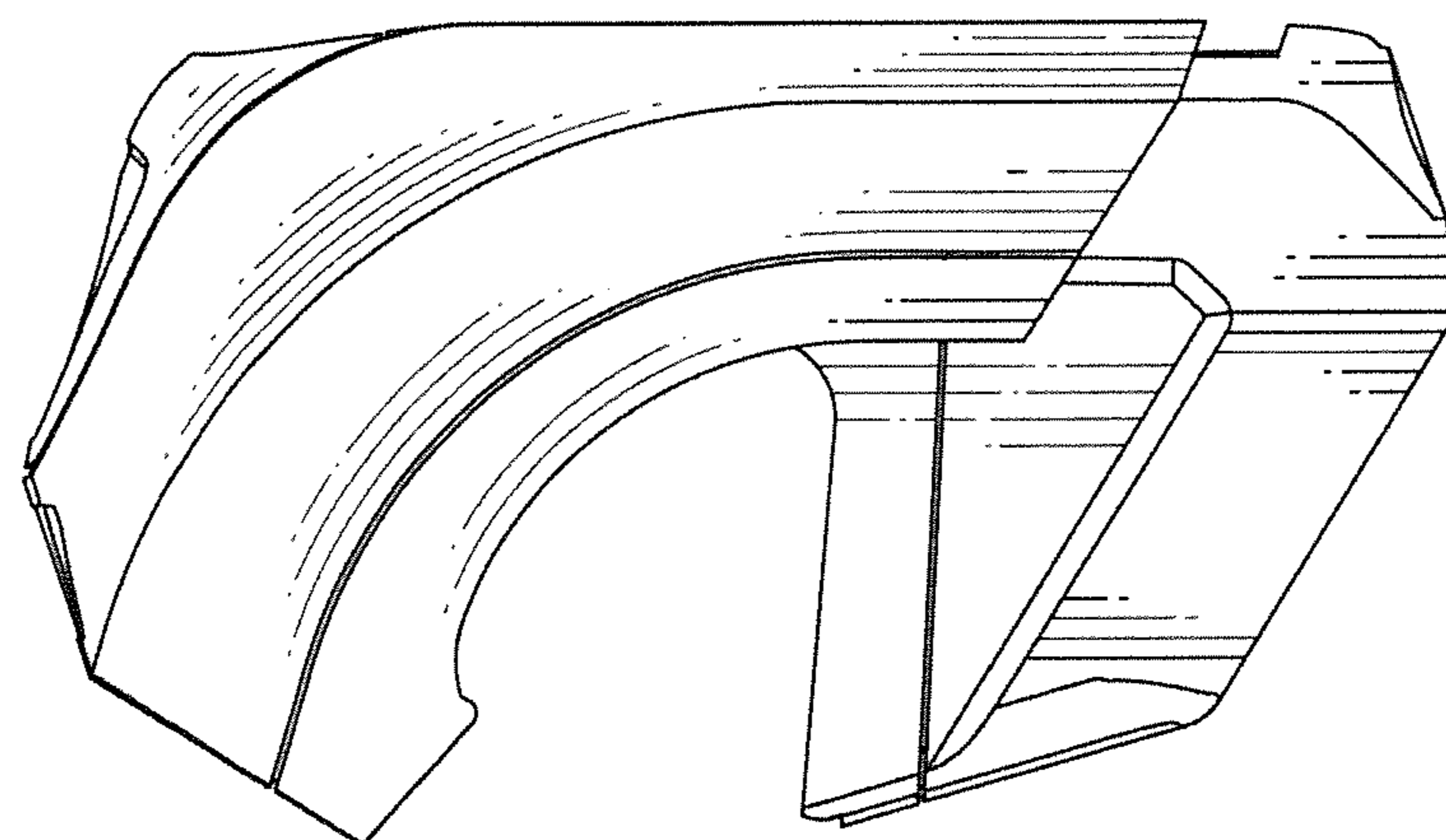


FIG. 3

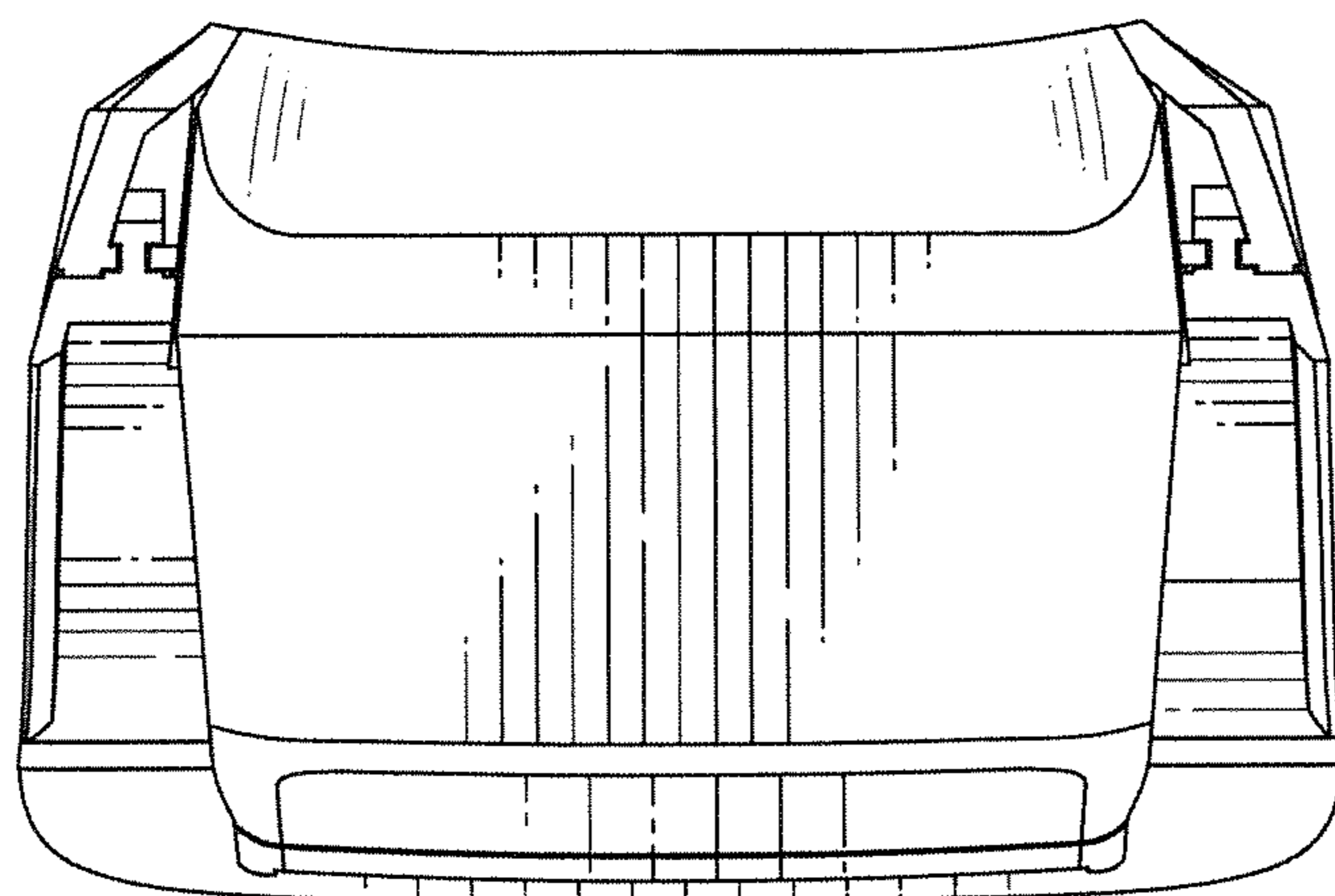


FIG. 4

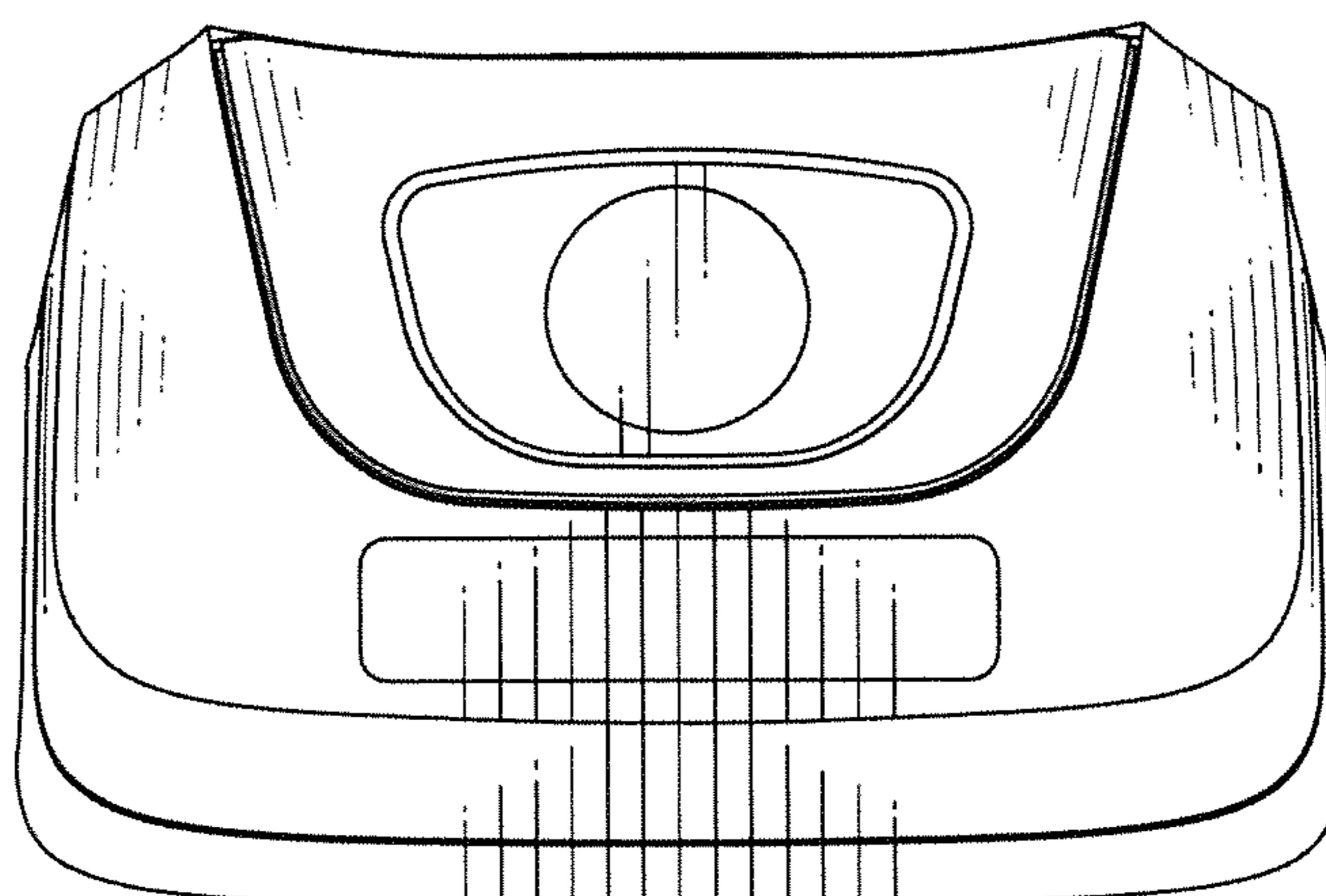


FIG. 5



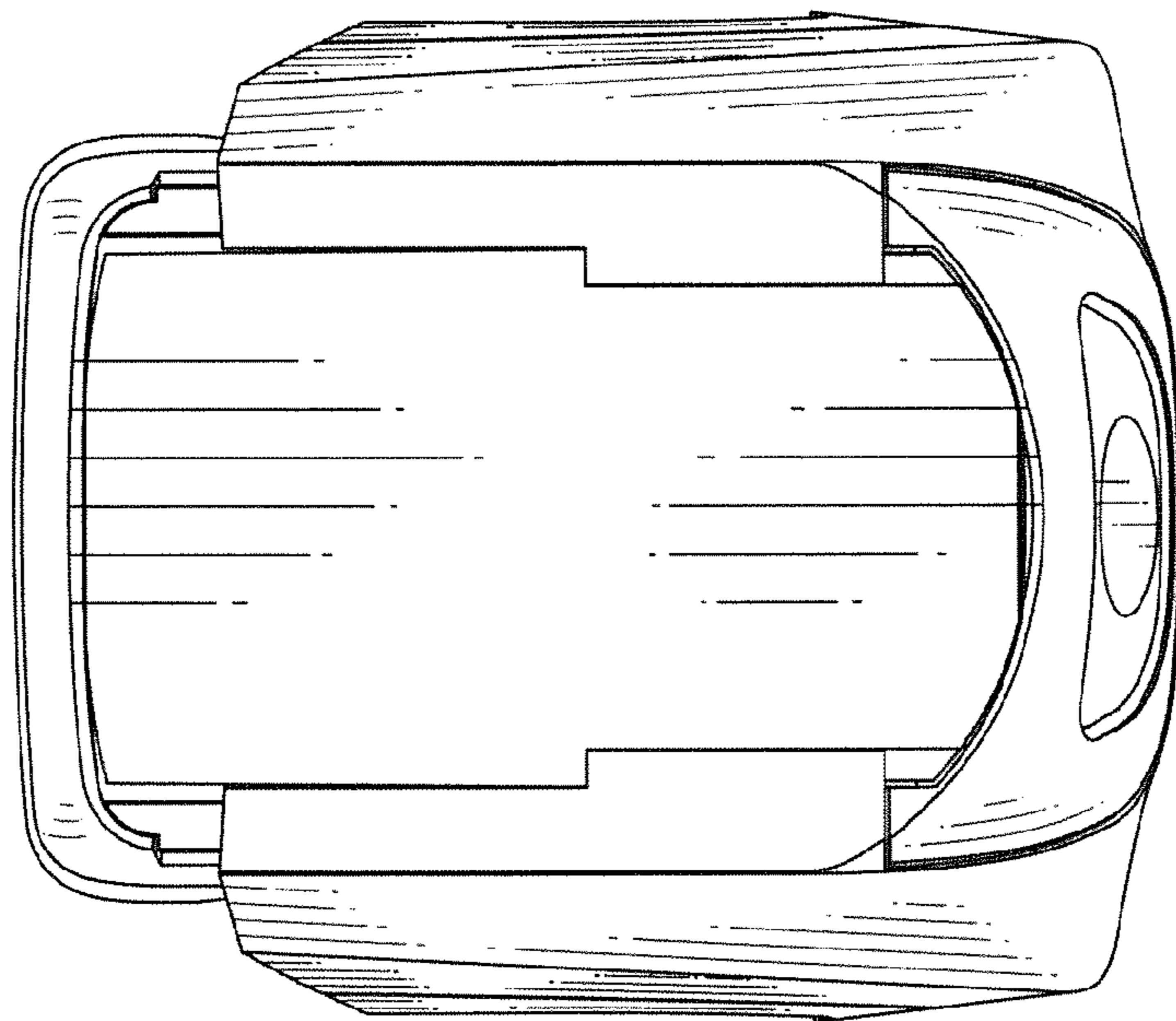


FIG. 6

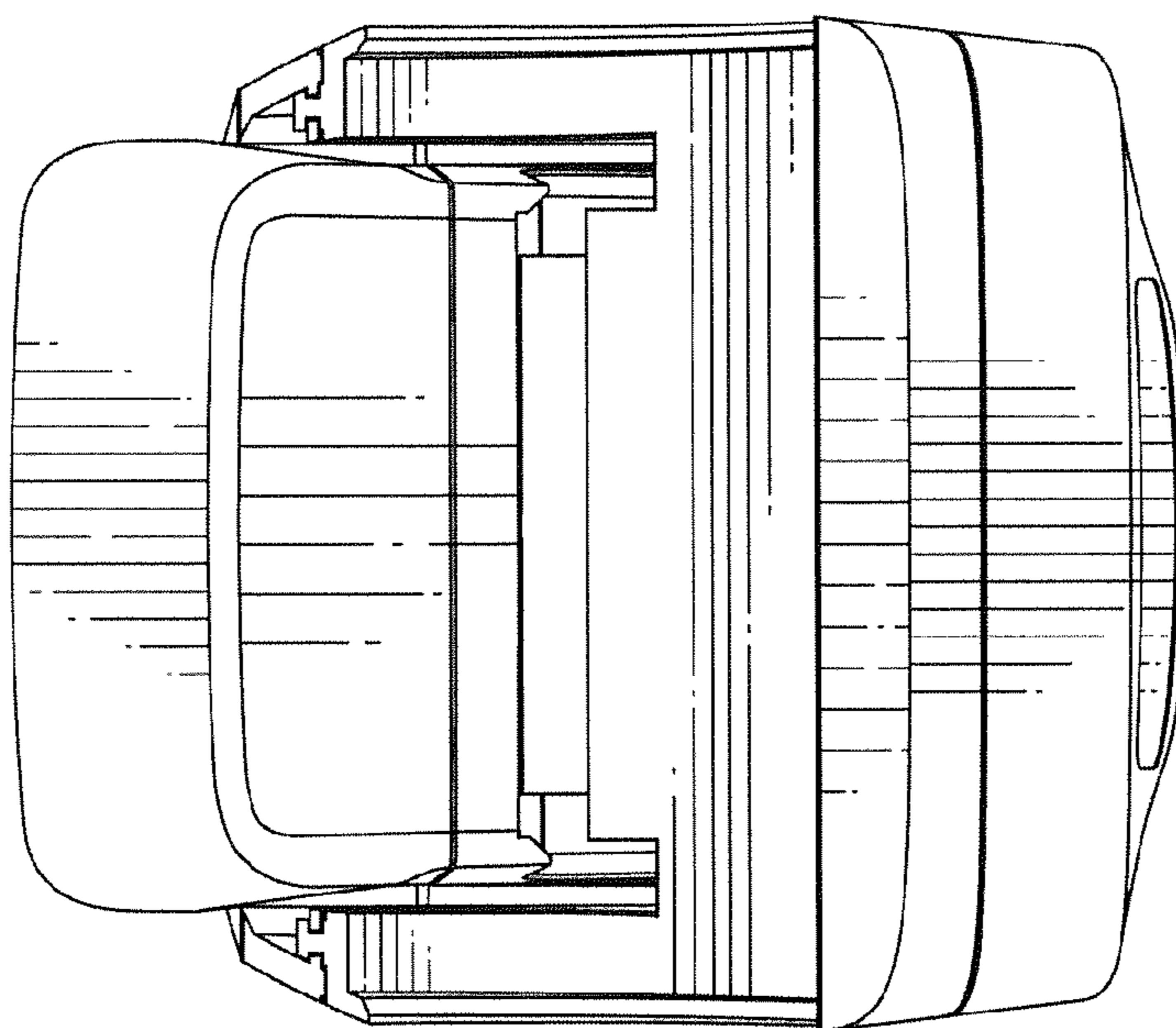


FIG. 7

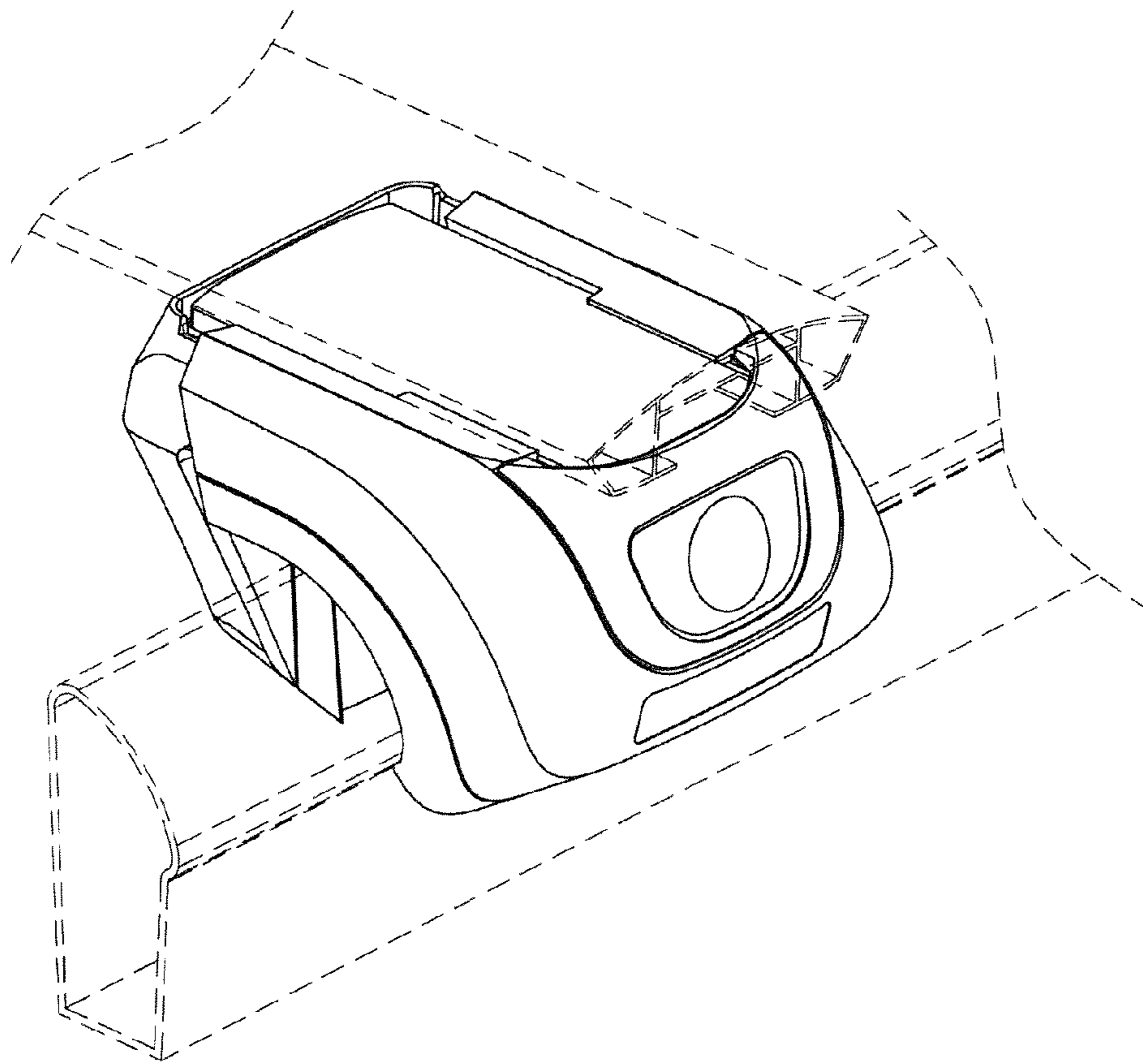


FIG. 8

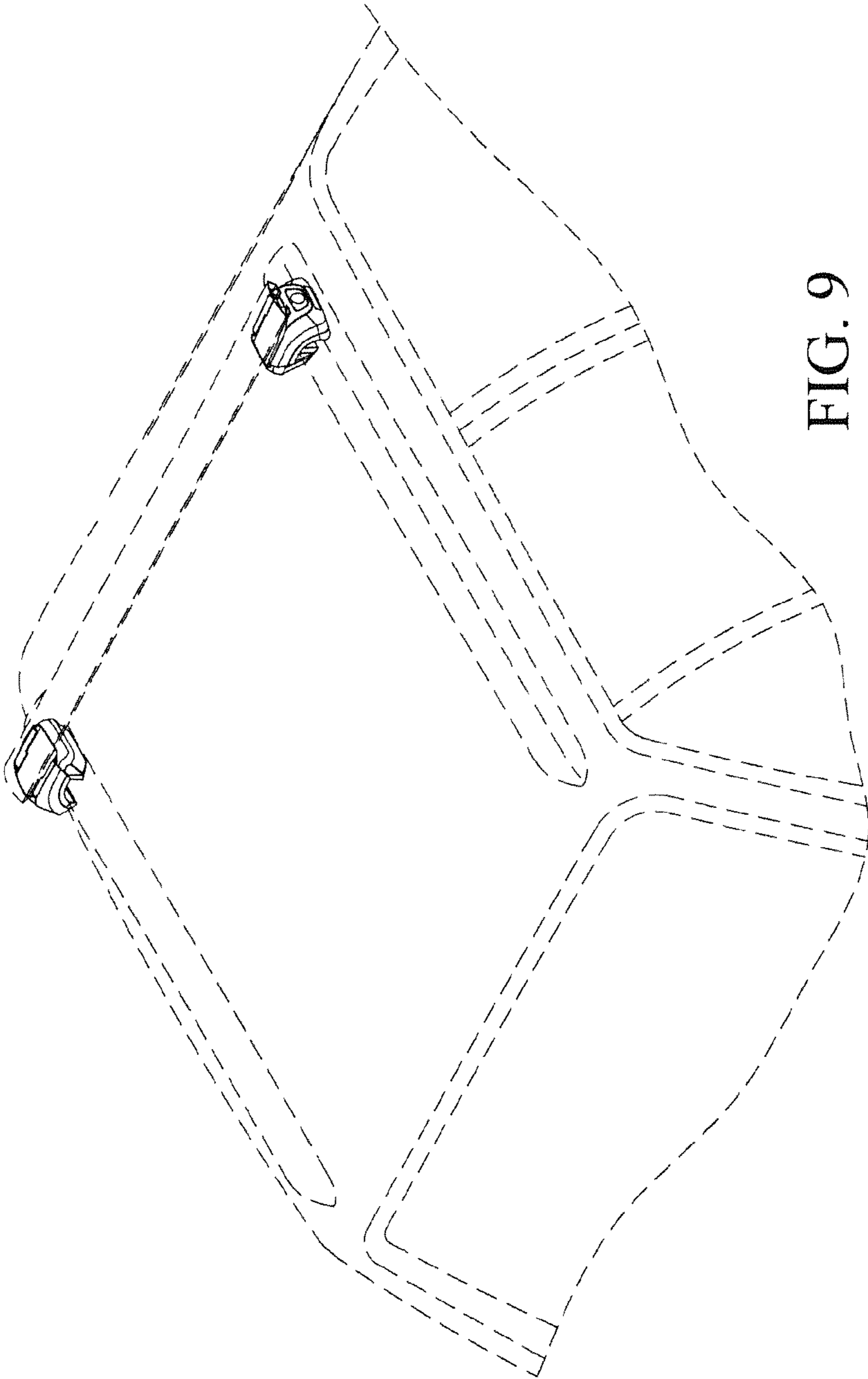


FIG. 9