

US00D709816S

(12) **United States Design Patent**  
**Rohaly**

(10) **Patent No.:** **US D709,816 S**  
(45) **Date of Patent:** **\*\* Jul. 29, 2014**

(54) **REMOVABLE LICENSE PLATE BRACKET**

(76) Inventor: **Robert Rohaly**, Los Angeles, CA (US)

(\*\*) Term: **14 Years**

(21) Appl. No.: **29/420,987**

(22) Filed: **May 15, 2012**

(51) **LOC (10) Cl.** ..... **12-06**

(52) **U.S. Cl.**  
USPC ..... **D12/223**

(58) **Field of Classification Search**  
USPC ..... D12/223; D8/349, 354, 382; 248/475.1,  
248/483, 200, 300, 576, 617  
See application file for complete search history.

(56) **References Cited**

**U.S. PATENT DOCUMENTS**

2,178,727	A	11/1939	Owens	
3,089,269	A	5/1963	McKiernan	
3,230,653	A	1/1966	Rice	
3,379,402	A	4/1968	Trammell, Jr.	
3,430,376	A	3/1969	Drybread, Sr. et al.	
3,509,653	A	5/1970	Hummel	
3,683,529	A	8/1972	Reed	
3,799,829	A	3/1974	Heatwole	
3,835,563	A	9/1974	Hanstad	
4,011,675	A	3/1977	Herring	
4,413,803	A *	11/1983	Ross	248/475.1
4,537,821	A	8/1985	Fast	
4,736,539	A	4/1988	Dickinson	
4,924,611	A	5/1990	Shaw	
D337,716	S *	7/1993	Weissman	D8/349
5,450,058	A	9/1995	Collier	
5,494,247	A	2/1996	Louder	
5,503,420	A	4/1996	Consiglio et al.	
5,518,350	A	5/1996	Kyprios	
5,671,556	A	9/1997	Huntley	
5,813,640	A	9/1998	Koch et al.	
5,870,841	A	2/1999	Brody, II et al.	
5,878,516	A	3/1999	Amirian	
5,885,024	A *	3/1999	Zupan et al.	403/389

6,167,645	B1	1/2001	Gasko et al.	
6,243,977	B1	6/2001	Shuen	
6,273,378	B1	8/2001	Fu et al.	
D453,676	S *	2/2002	Pliml, Jr.	D8/349
6,381,886	B1	5/2002	Chou	
6,581,252	B1	6/2003	Sedlock et al.	
6,681,507	B1	1/2004	Lieziert	
6,729,053	B2	5/2004	Castro	
6,757,998	B1	7/2004	Lucatorto	
6,796,060	B1	9/2004	Meester et al.	
6,848,204	B1	2/2005	Nowak	
6,871,431	B2	3/2005	Schmidt	

(Continued)

**OTHER PUBLICATIONS**

News Bulletin; 2012 FCA Annual Meet! www.fca2012.org.

(Continued)

*Primary Examiner* — Sheryl Lane

(74) *Attorney, Agent, or Firm* — Thrope North & Western LLP

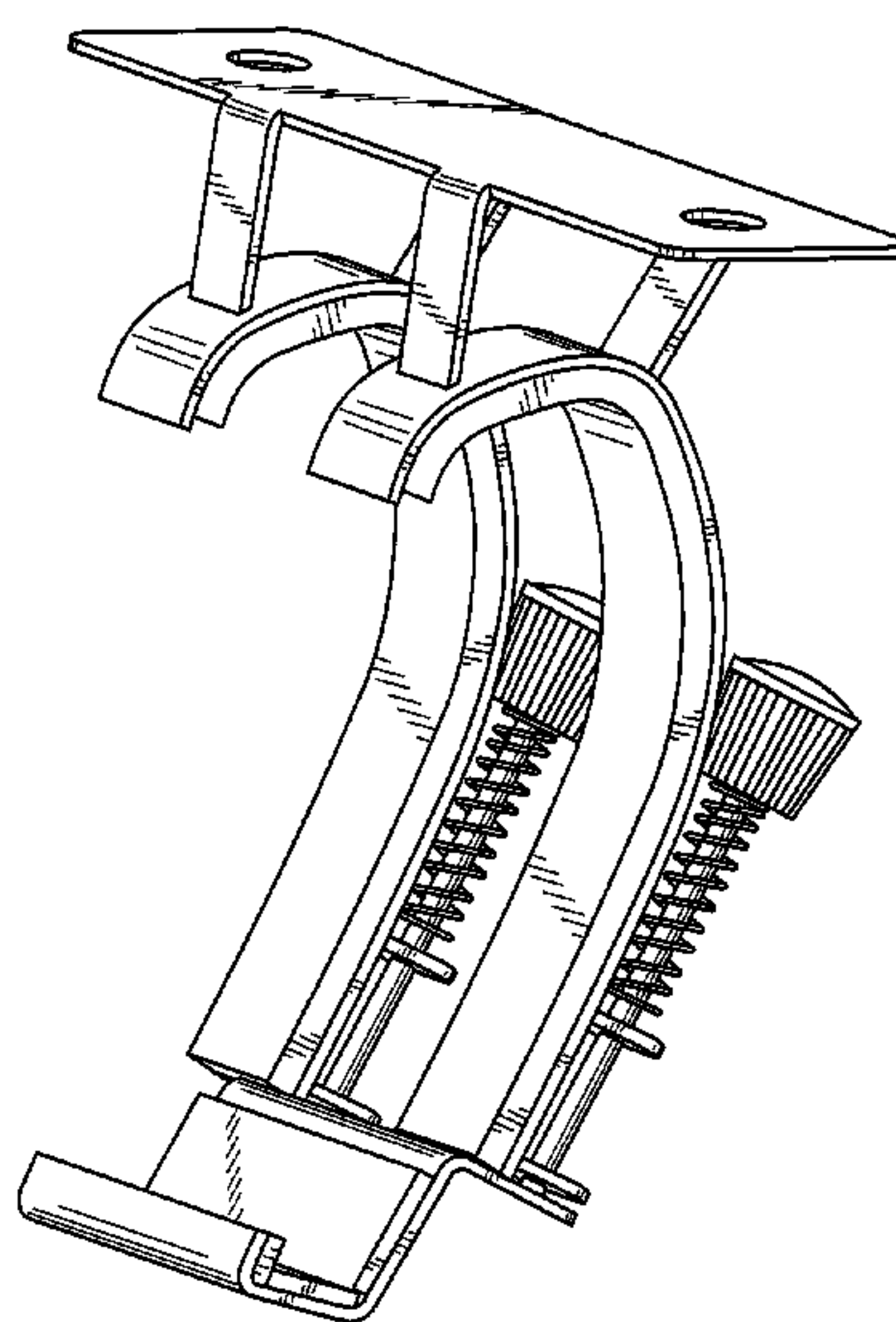
(57) **CLAIM**

The ornamental design for the removable license plate bracket, as shown and described herein.

**DESCRIPTION**

FIG. 1 is an elevated, perspective view of the removable license plate bracket in accordance with my invention; FIG. 2 is a side view thereof; FIG. 3 is an opposite side view of FIG. 2; FIG. 4 is another side view of the invention as shown in FIG. 1; FIG. 5 is an opposite side view of FIG. 4; FIG. 6 is a top view of the invention; and, FIG. 7 is a bottom view of the invention. The broken lines shown in FIGS. 1-7 are for illustrative purposes only and form no part of the claimed design.

**1 Claim, 6 Drawing Sheets**



(56)

**References Cited**

U.S. PATENT DOCUMENTS

6,886,799 B2 \* 5/2005 Yamanashi ..... 248/610  
7,111,420 B2 9/2006 Glickman  
7,152,352 B2 12/2006 Rossello et al.  
7,316,433 B2 1/2008 Levine  
7,401,427 B2 7/2008 Zander  
7,594,347 B2 9/2009 Anderson  
7,752,785 B2 7/2010 Beer et al.  
7,877,908 B2 2/2011 Collins  
8,136,854 B2 3/2012 Rich  
D680,052 S \* 4/2013 Lee ..... D12/223  
D698,294 S \* 1/2014 Robinson et al. .... D12/193

2002/0152653 A1 10/2002 Shuen  
2004/0089776 A1 5/2004 Tsuchizaki  
2004/0163287 A1 8/2004 Swartz  
2005/0210720 A1 9/2005 Burr et al.  
2006/0230651 A1 10/2006 Eidsmore  
2006/0277803 A1 12/2006 Cotta et al.  
2007/0169389 A1 7/2007 Hoffman  
2008/0250680 A1 10/2008 Macneil  
2010/0192431 A1 8/2010 Woznica, Jr.  
2010/0257763 A1 10/2010 Hu

OTHER PUBLICATIONS

Forza Showcase magazine; Oct. 2011.

\* cited by examiner

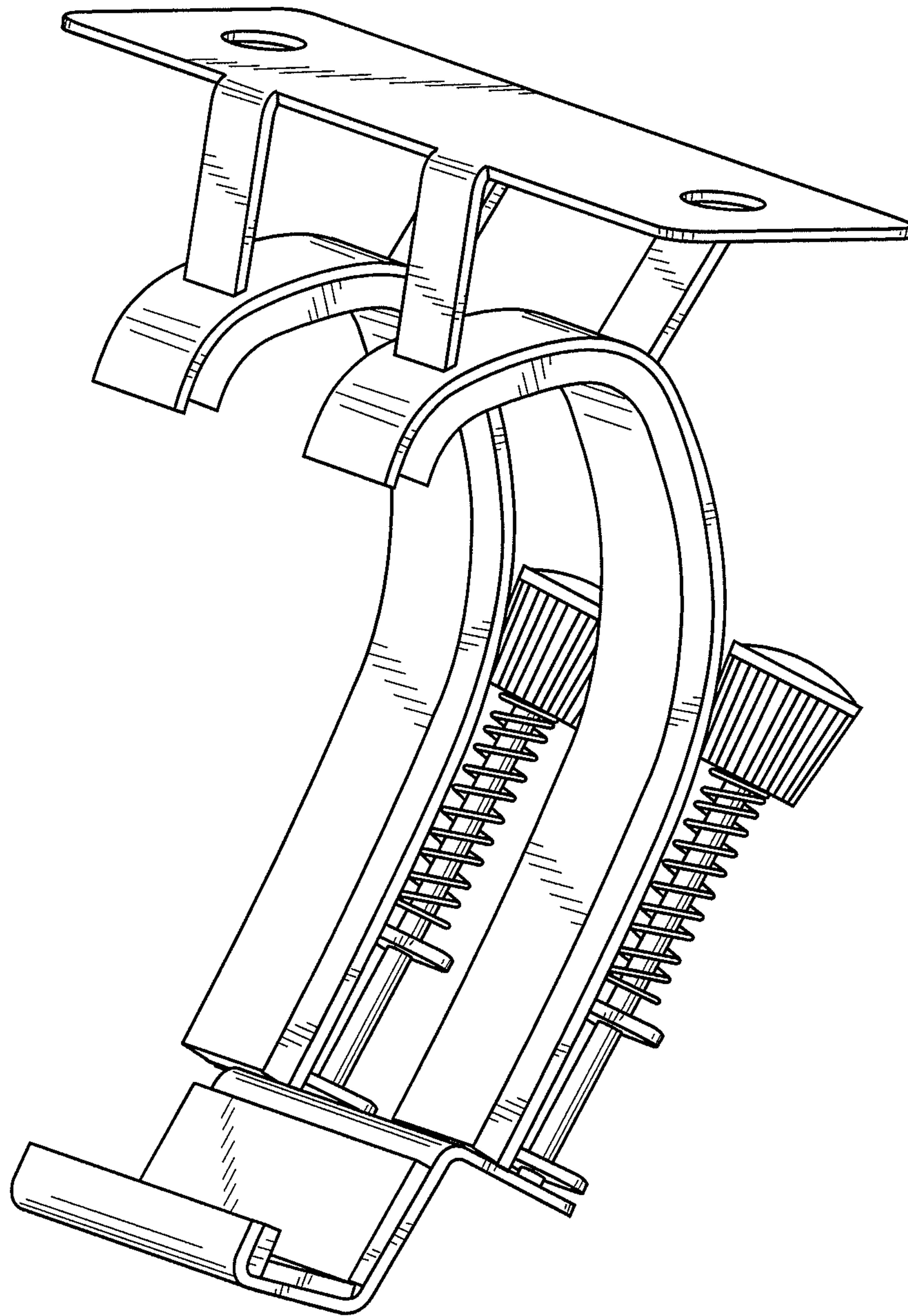


FIG. 1

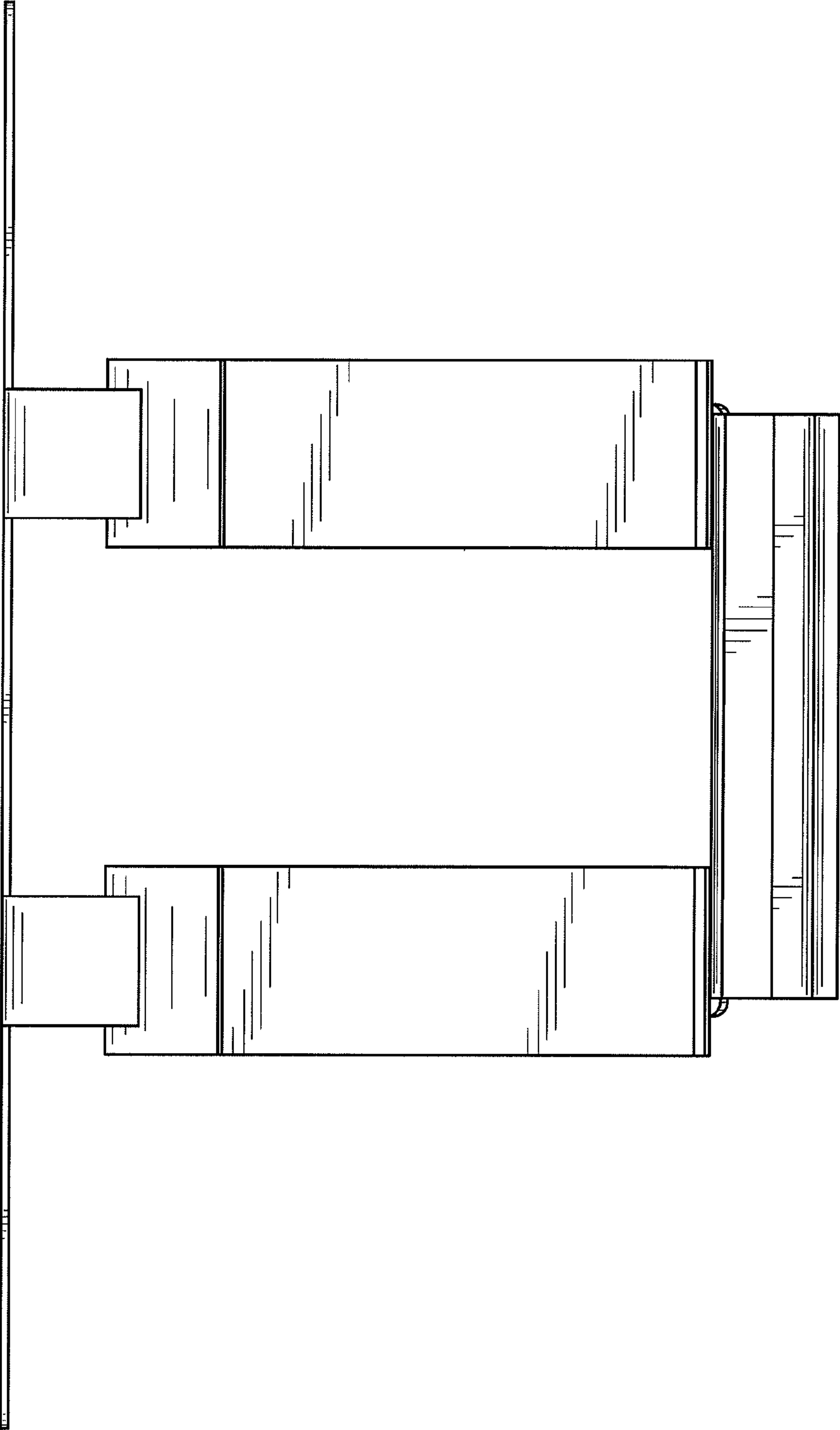


FIG. 2

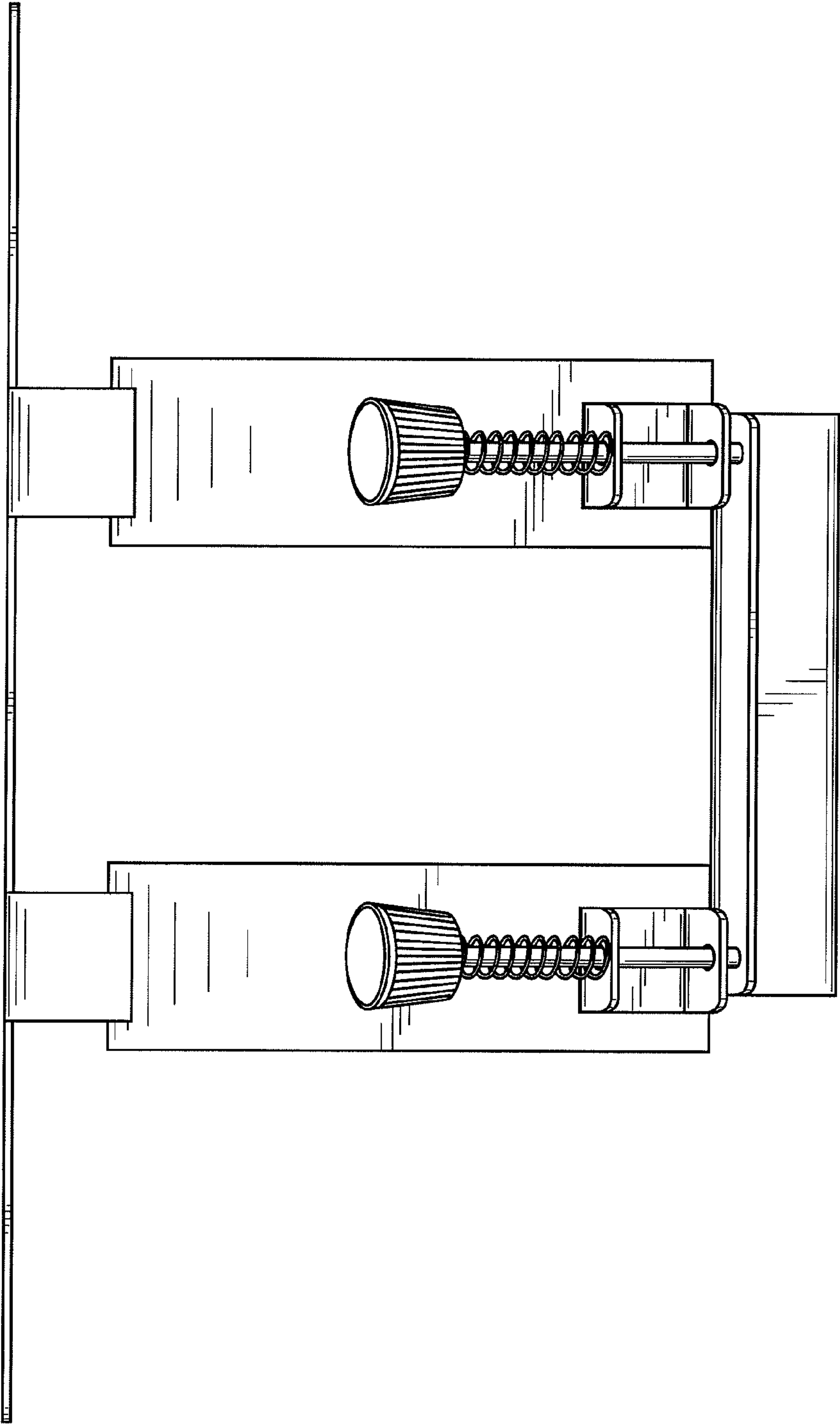
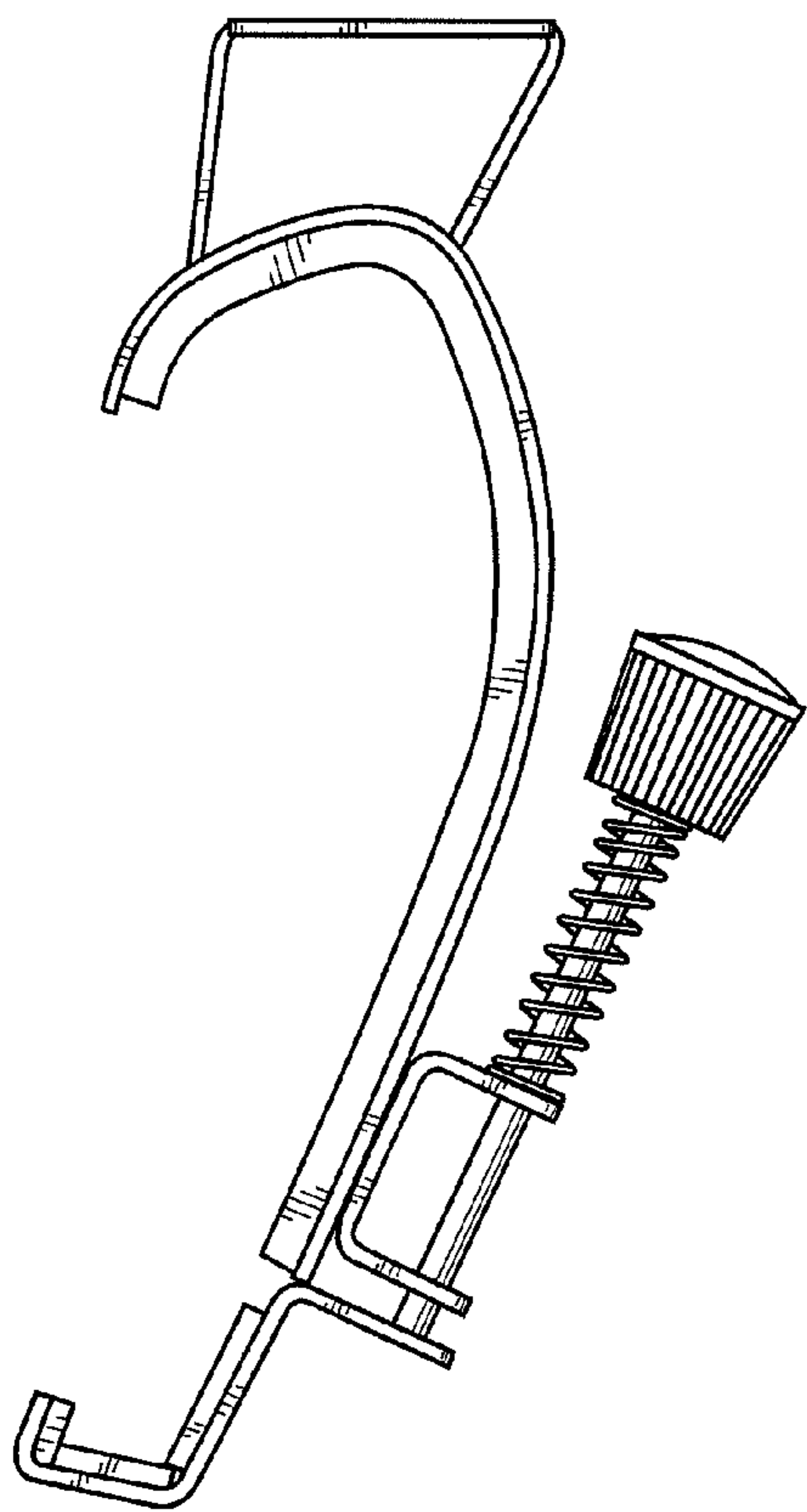
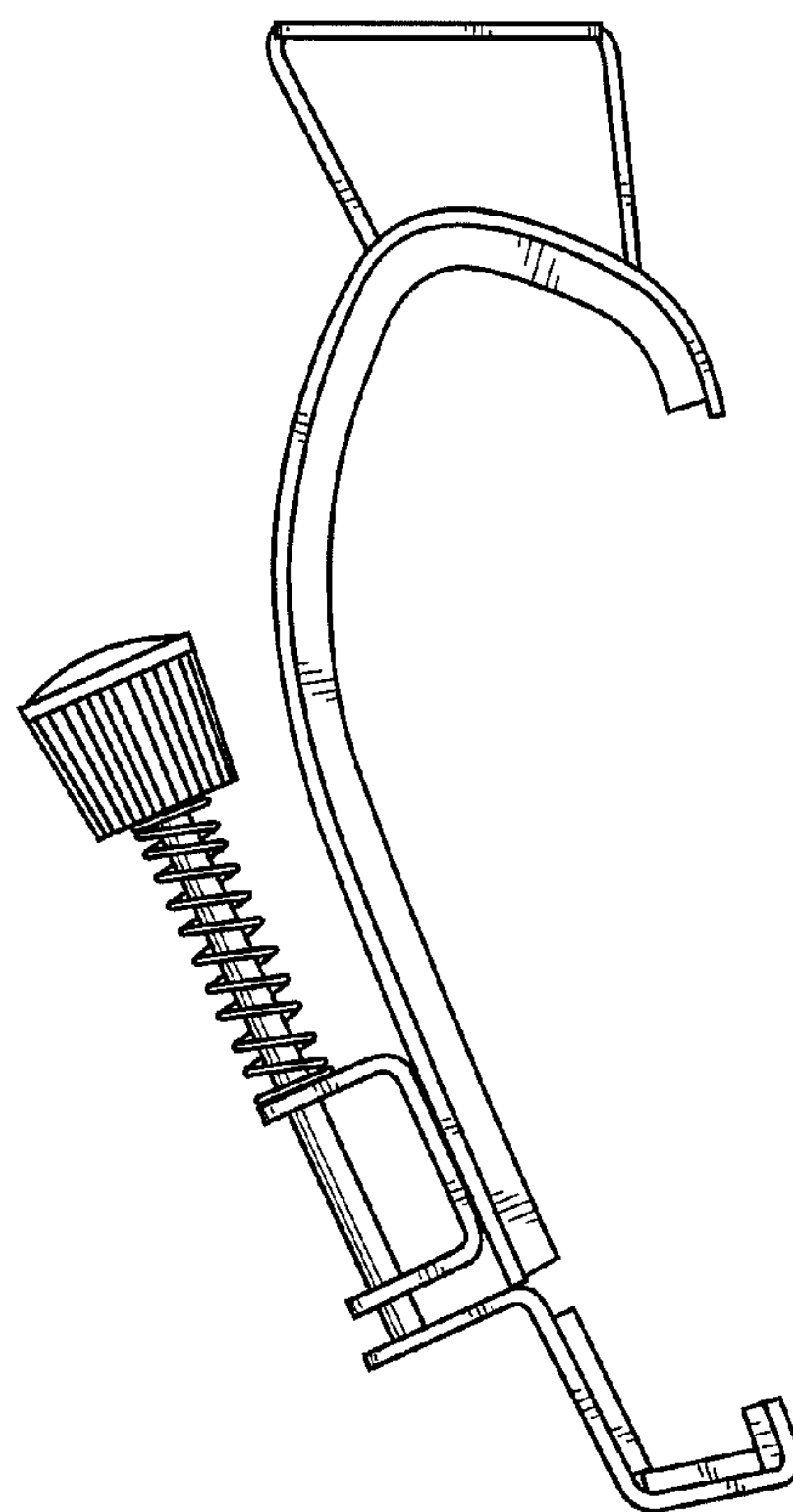


FIG. 3





**FIG. 4**



**FIG. 5**

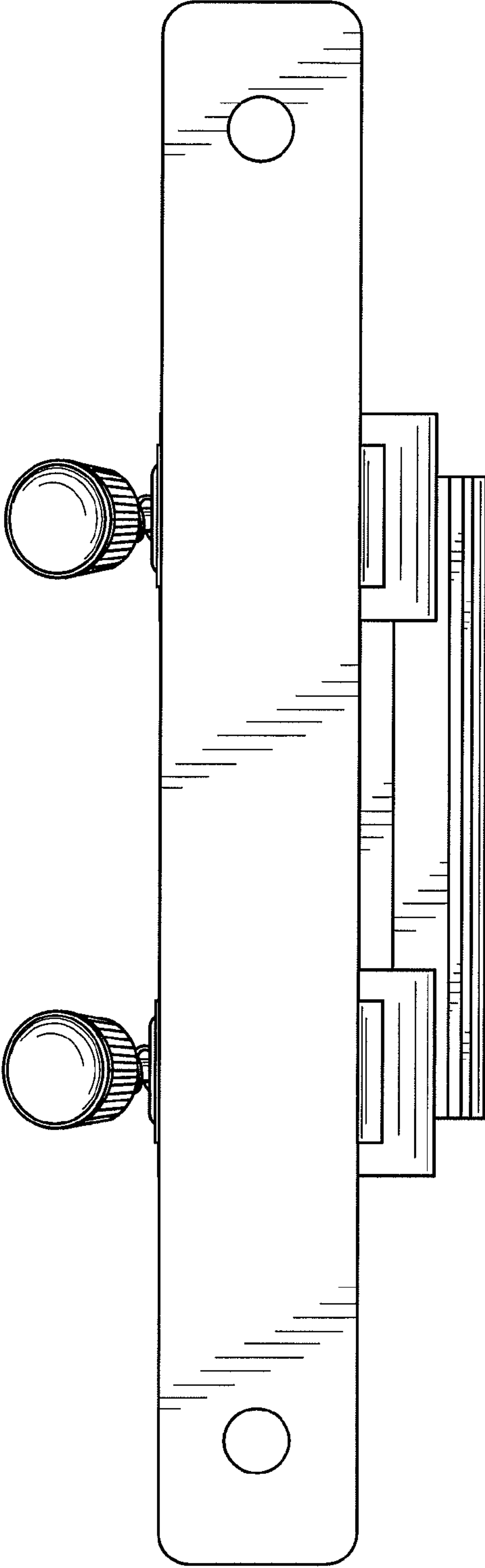


FIG. 6

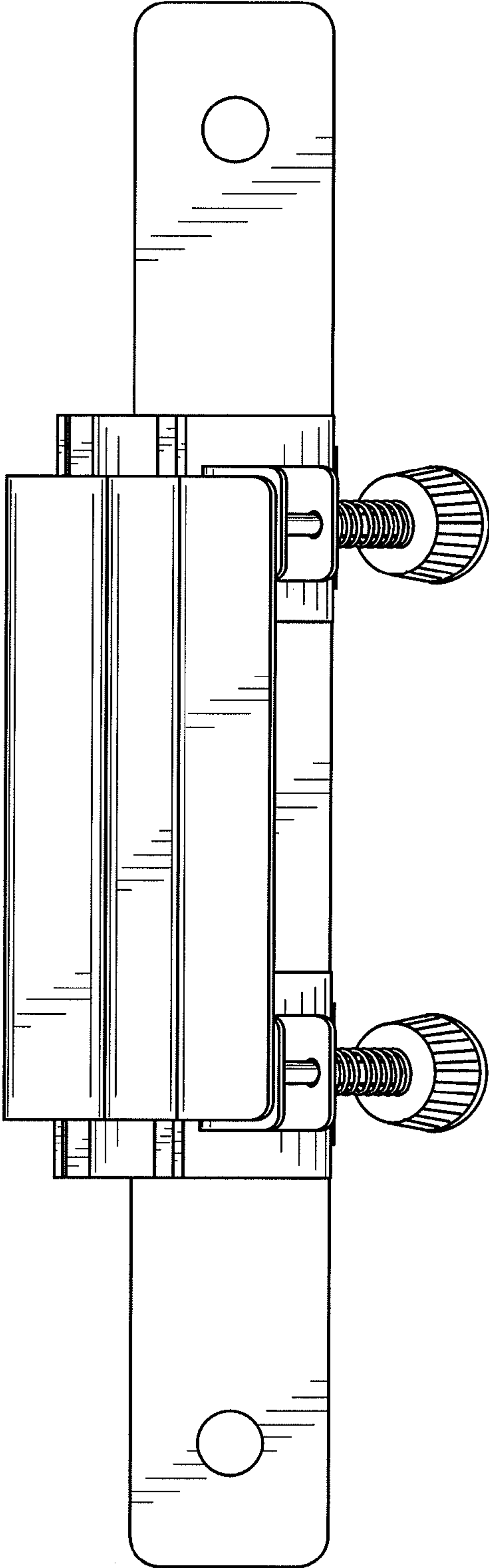


FIG. 7