



US00D709814S

(12) **United States Design Patent**  
**Jevremovic et al.**

(10) **Patent No.:** **US D709,814 S**  
(45) **Date of Patent:** **\*\* Jul. 29, 2014**

(54) **SIDE BODY FOR AN AUTOMOBILE**

FOREIGN PATENT DOCUMENTS

(71) Applicants: **Miljan Jevremovic**, Northville, MI (US); **Peter Kim**, Northville, MI (US)

GB 000230180-0003 \* 9/2004

(72) Inventors: **Miljan Jevremovic**, Northville, MI (US); **Peter Kim**, Northville, MI (US)

OTHER PUBLICATIONS

(73) Assignee: **Toyota Jidosha Kabushiki Kaisha** (JP)

2014 Toyota Avalon eBrochure, Nov. 1, 2013, [online], [site visited Nov. 14, 2013]. Available from internet, <URL: <http://www.toyota.com/avalon/ebrochure>>.\*

(\*\*) Term: **14 Years**

Audi, Audi A7 Sportback, netcarshow.com, [http://www.netcarshow.com/audi/2011-a7\\_sportback/](http://www.netcarshow.com/audi/2011-a7_sportback/), available at least as early as Mar. 6, 2012.

(21) Appl. No.: **29/432,620**

Hyundai, Hyundai Sonata Hybrid, netcarshow.com, [http://www.netcarshow.com/hyundai/2011-sonata\\_hybrid](http://www.netcarshow.com/hyundai/2011-sonata_hybrid), available at least as early as Mar. 6, 2012.

(22) Filed: **Sep. 18, 2012**

\* cited by examiner

(30) **Foreign Application Priority Data**

*Primary Examiner* — Eric Goodman

Mar. 27, 2012 (JP) ..... 2012-006912

*Assistant Examiner* — Jennifer Watkins

(51) **LOC (10) CL.** ..... **12-16**

(74) *Attorney, Agent, or Firm* — SAIDMAN DesignLaw Group

(52) **U.S. CL.**  
USPC ..... **D12/196**

(57) **CLAIM**

The ornamental design for a side body for an automobile, as shown and described.

(58) **Field of Classification Search**  
USPC ..... D12/86, 90-92, 184, 196; D21/424, D21/433, 434; 296/181.1, 181.5; 280/152.1, 280/847, 848, 849, 851  
See application file for complete search history.

**DESCRIPTION**

FIG. 1 is a front perspective view of a side body for an automobile showing our new design; FIG. 2 is a rear perspective view thereof; FIG. 3 is a right side view thereof; FIG. 4 is a left side view thereof; FIG. 5 is a top view thereof; FIG. 6 is a front view thereof; and, FIG. 7 is a rear view thereof.

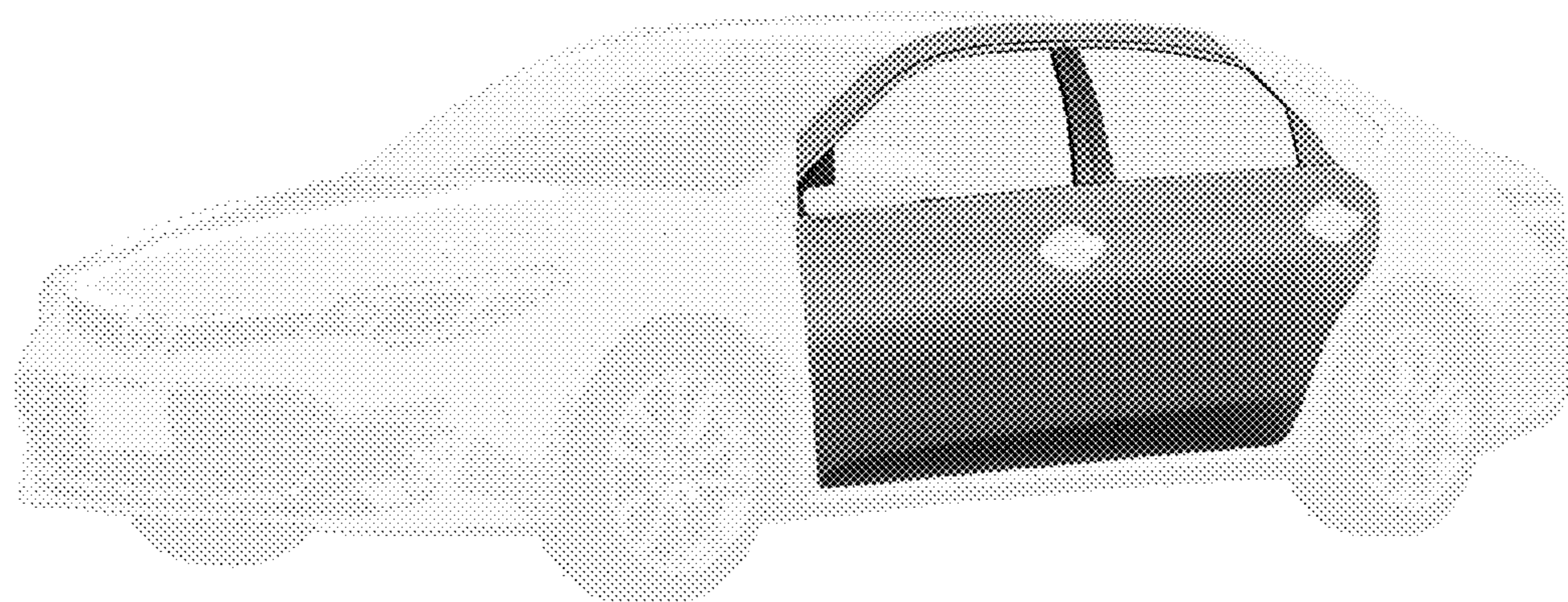
The claimed design is indicated by the relatively dark portions in the figures, while the relatively light portions are environmental and form no part of the claimed design. The relatively light portions include the door handles, side mirror, windows and interior.

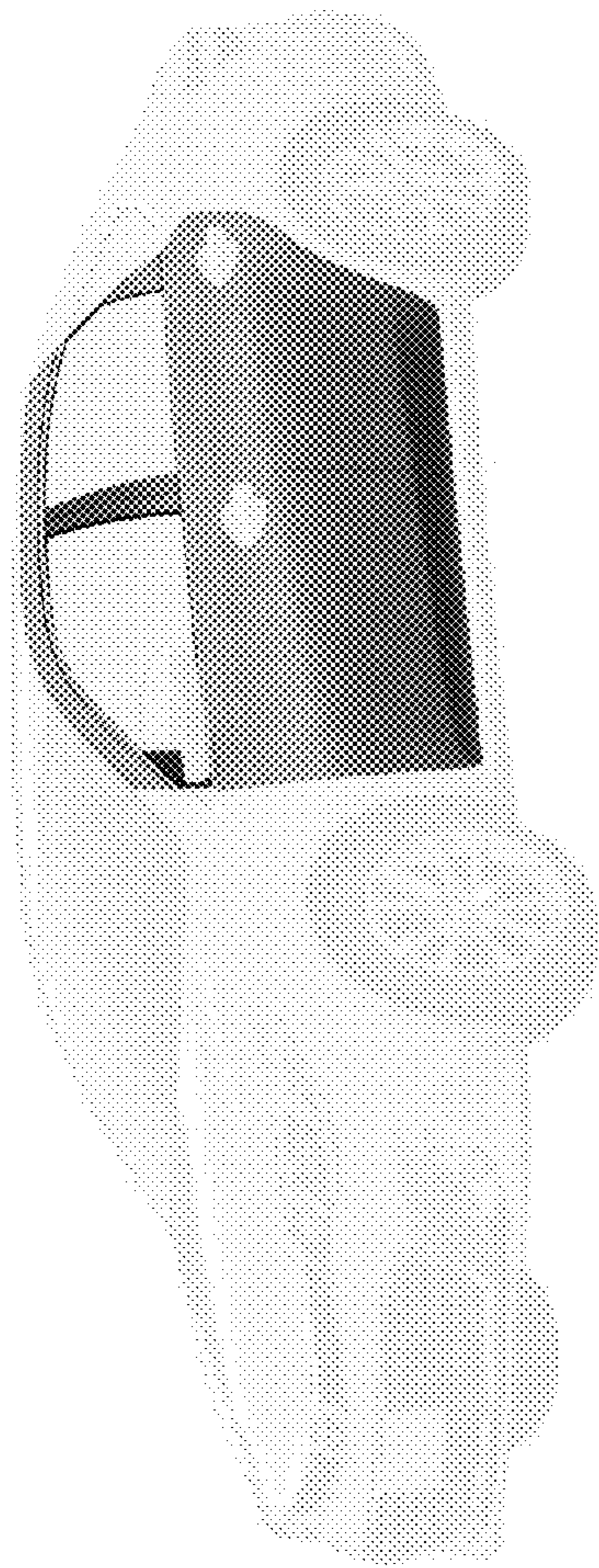
(56) **References Cited**

U.S. PATENT DOCUMENTS

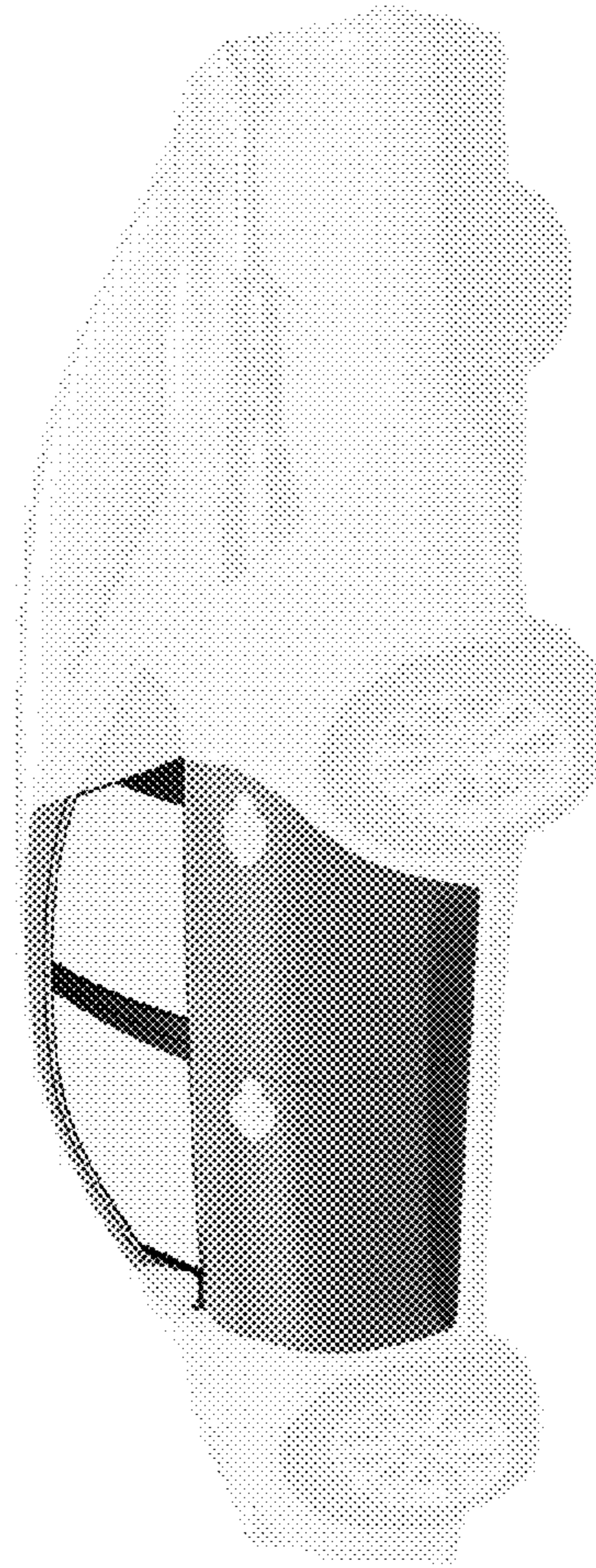
- 4,717,197 A \* 1/1988 Harasaki ..... 296/193.05
- D534,835 S \* 1/2007 Otsubo et al. .... D12/91
- D579,822 S \* 11/2008 Lo et al. .... D12/91
- D583,710 S \* 12/2008 Sonoda et al. .... D12/91
- D605,101 S \* 12/2009 Mueller ..... D12/196
- D608,694 S \* 1/2010 Okue et al. .... D12/91
- D630,554 S \* 1/2011 Kim ..... D12/91
- D689,399 S \* 9/2013 Kim et al. .... D12/91
- D691,539 S \* 10/2013 Kwon et al. .... D12/196
- D691,540 S \* 10/2013 Kwon et al. .... D12/196

**1 Claim, 4 Drawing Sheets**





*Fig. 1*



*Fig. 2*

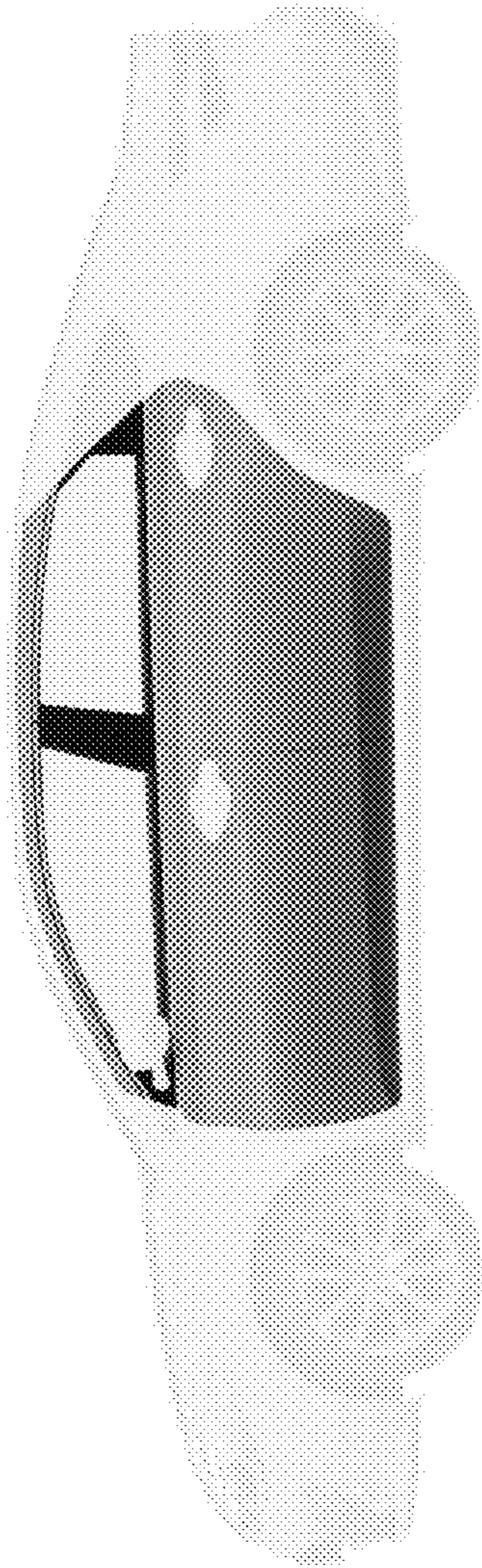


Fig. 3

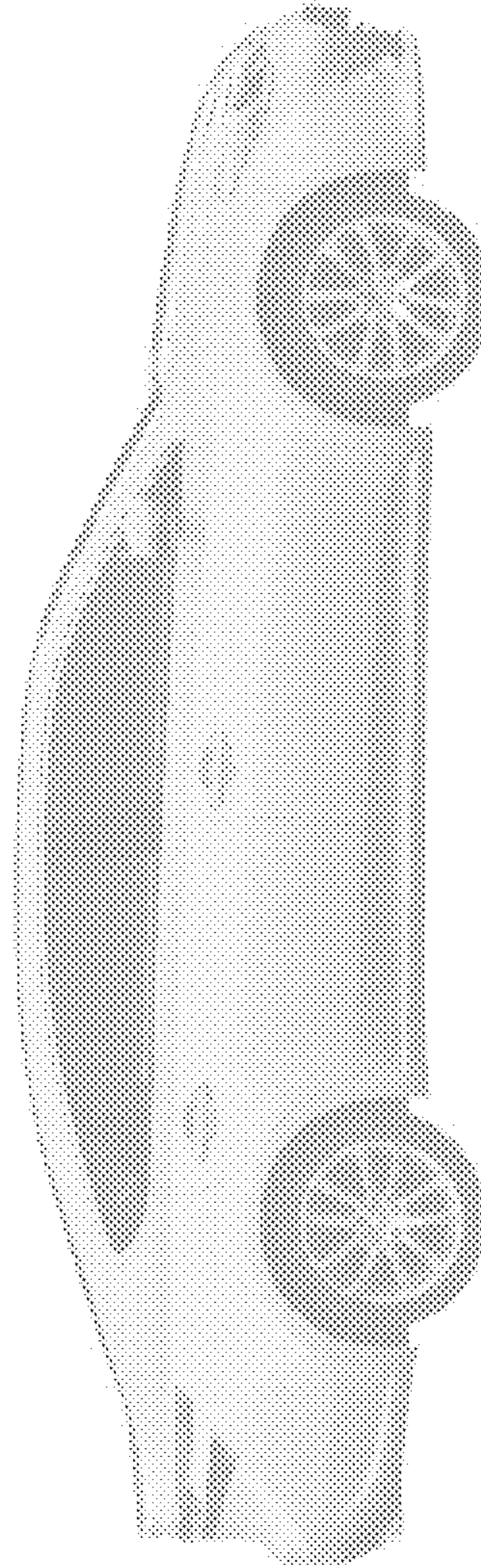


Fig. 4

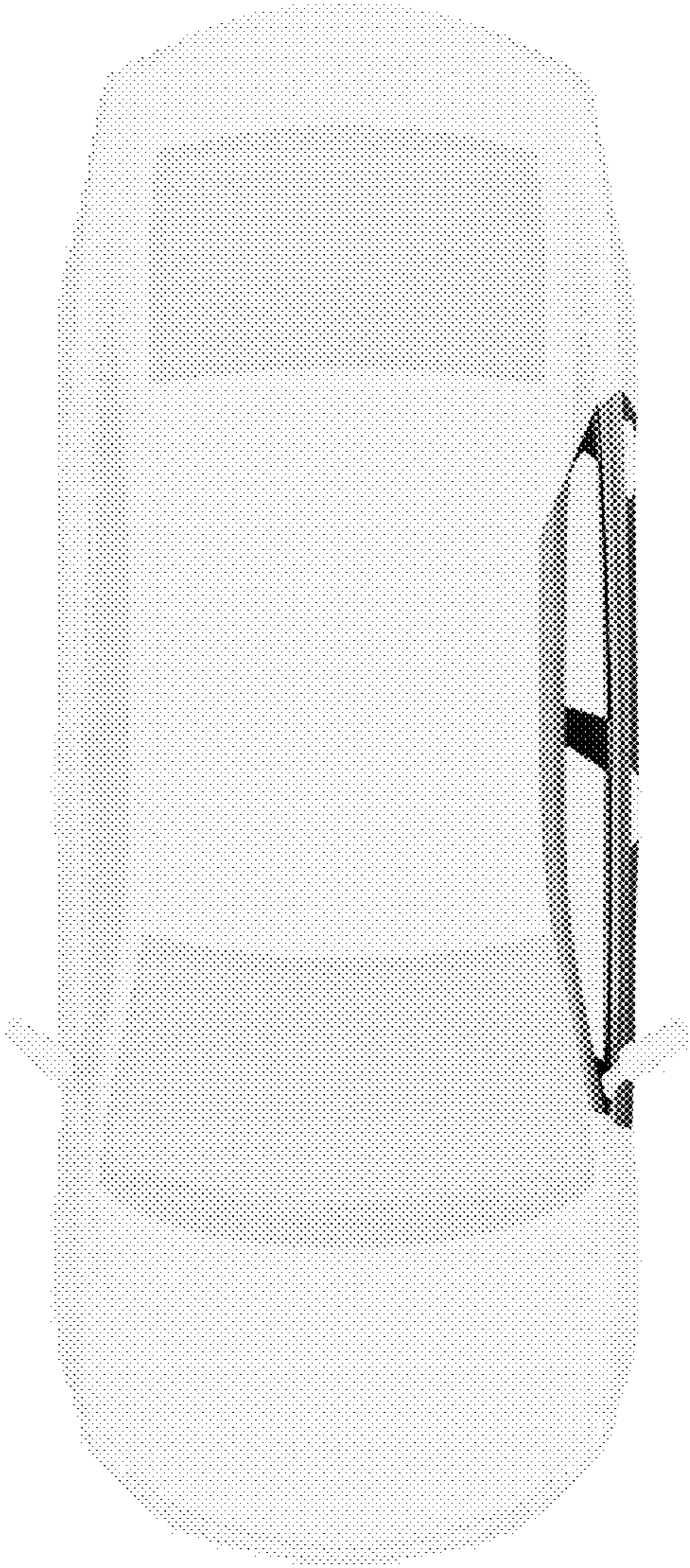
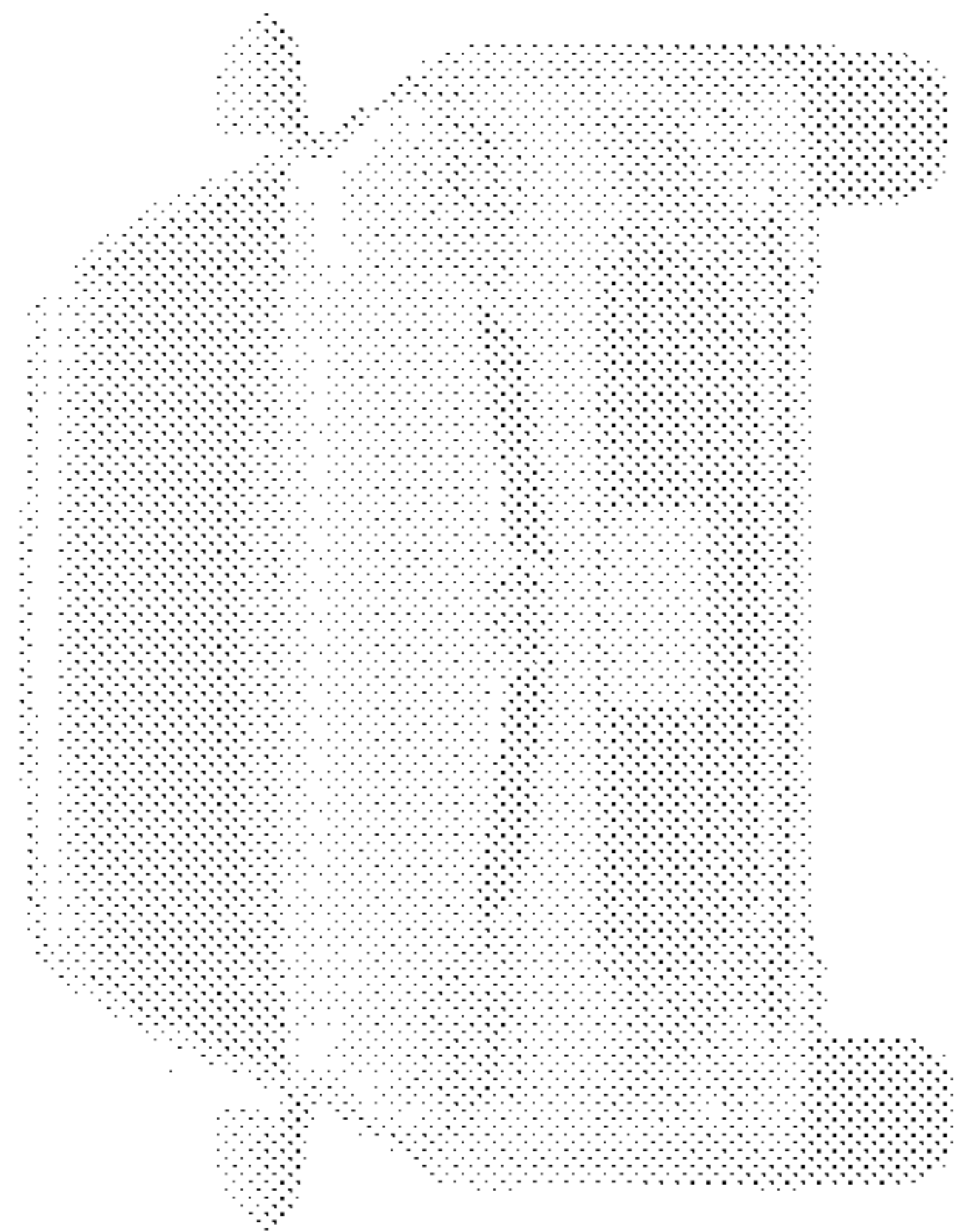
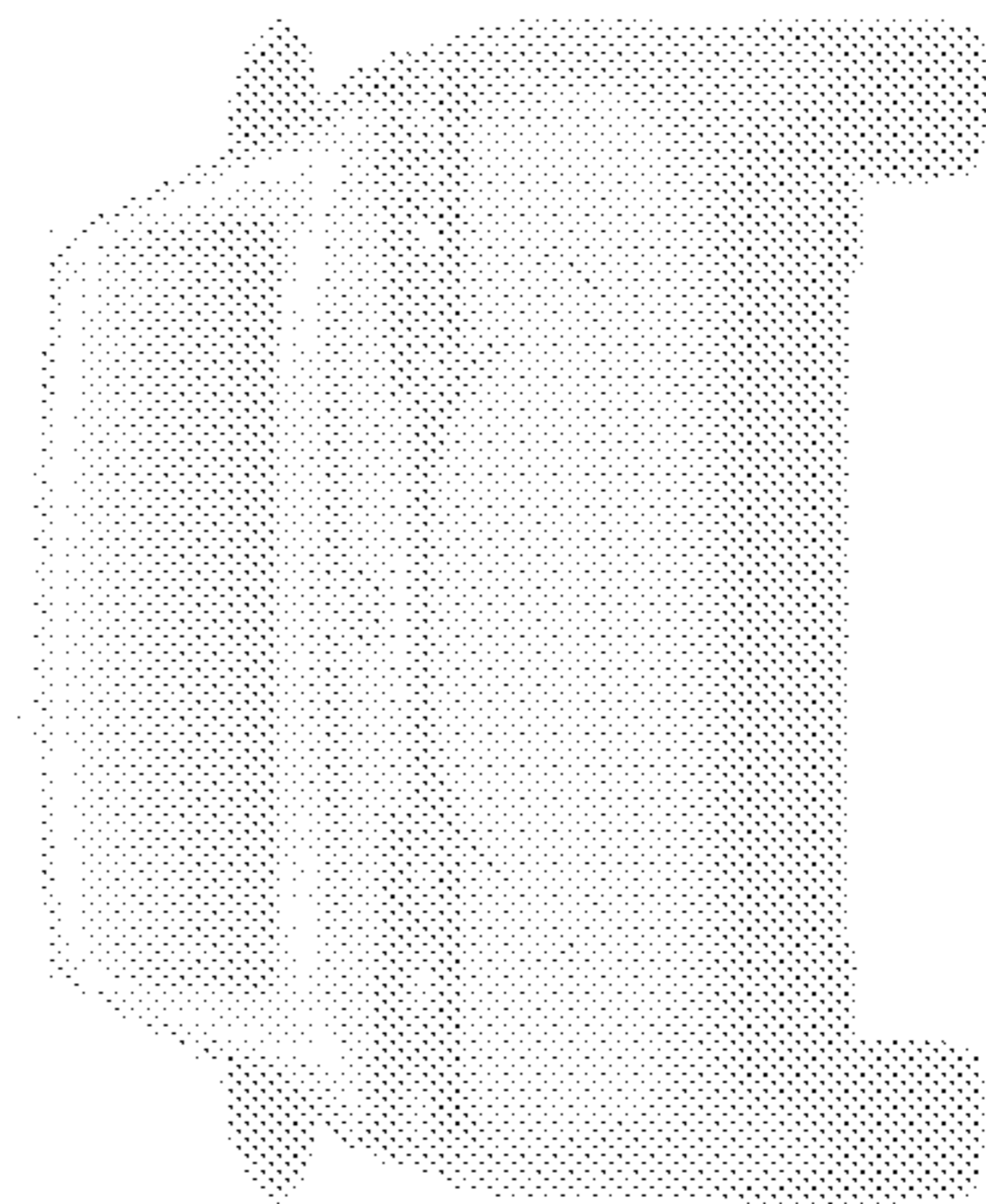


Fig. 5



**Fig. 6**



**Fig. 7**