



US00D709813S

(12) **United States Design Patent**
MacNeil et al.

(10) **Patent No.:** **US D709,813 S**

(45) **Date of Patent:** **** Jul. 29, 2014**

(54) **LICENSE PLATE FRAME SPACER UNIT**

(71) Applicant: **MacNeil IP LLC**, Bolingbrook, IL (US)

(72) Inventors: **David F. MacNeil**, Hinsdale, IL (US);
David S. Iverson, Hinsdale, IL (US)

(73) Assignee: **MacNeil IP LLC**, Bolingbrook, IL (US)

(**) Term: **14 Years**

(21) Appl. No.: **29/476,836**

(22) Filed: **Dec. 17, 2013**

(51) **LOC (10) Cl.** **12-16**

(52) **U.S. Cl.**
USPC **D12/193**

(58) **Field of Classification Search**
USPC D12/193, 400; D6/300-302, 310-314;
40/200-204, 207-214, 643, 591;
D20/13; 348/148, 373
See application file for complete search history.

(56) **References Cited**

U.S. PATENT DOCUMENTS

1,568,907 A 1/1926 Mytko
1,701,419 A * 2/1929 Peden D12/193
1,787,545 A 1/1931 Orester et al.

2,710,475 A 6/1955 Salzmann
3,315,394 A 4/1967 Kluck
D350,104 S * 8/1994 Lee D12/193
D381,307 S * 7/1997 Gwynn et al. D12/193
D418,789 S * 1/2000 Sloan D12/193
6,167,645 B1 1/2001 Gasko et al.
D534,110 S * 12/2006 Kellermann D12/193
D566,024 S * 4/2008 Pacleb D12/193

* cited by examiner

Primary Examiner — Stacia Cadmus

(74) *Attorney, Agent, or Firm* — Perkins IP Law Group LLC;
Jefferson Perkins

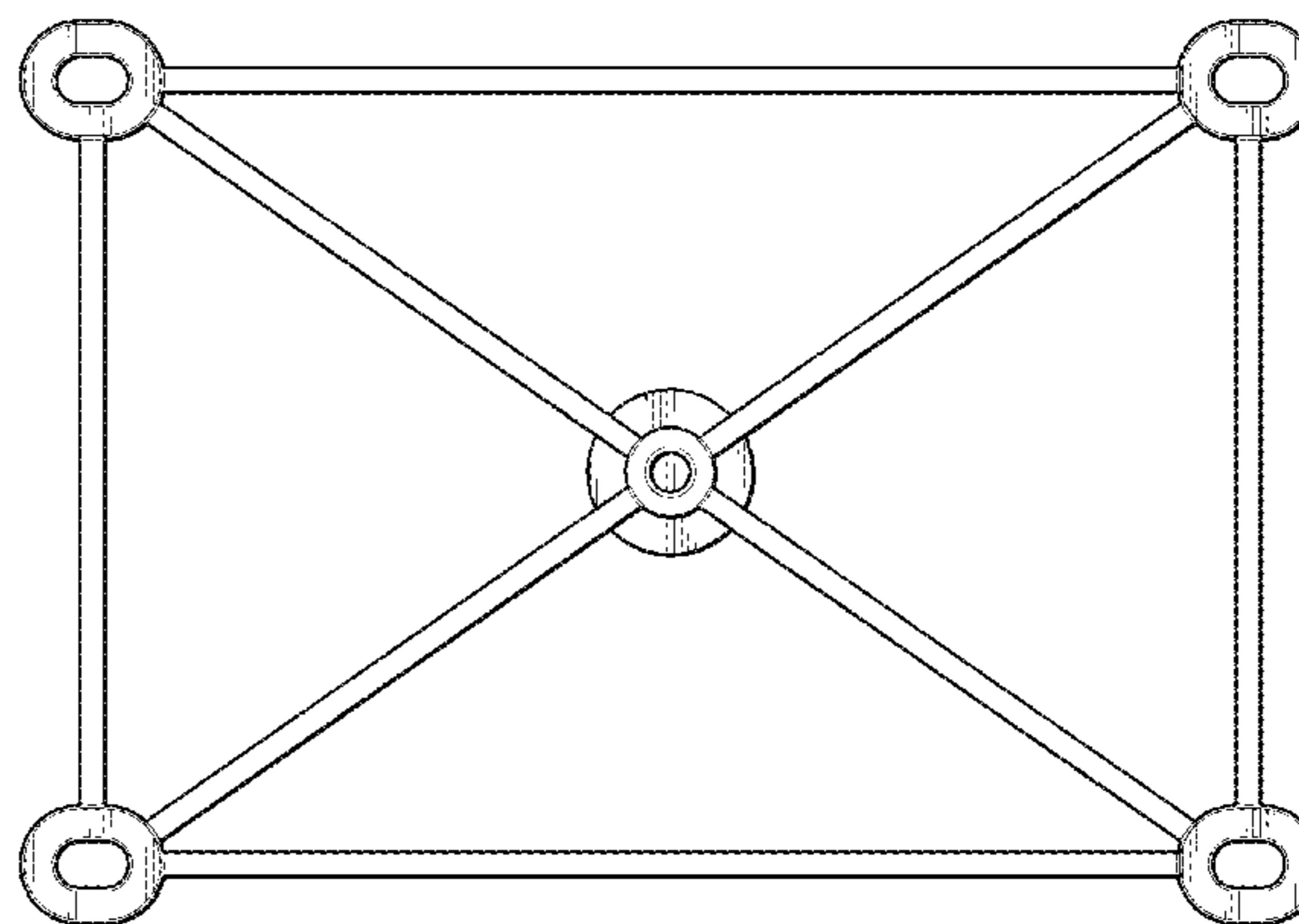
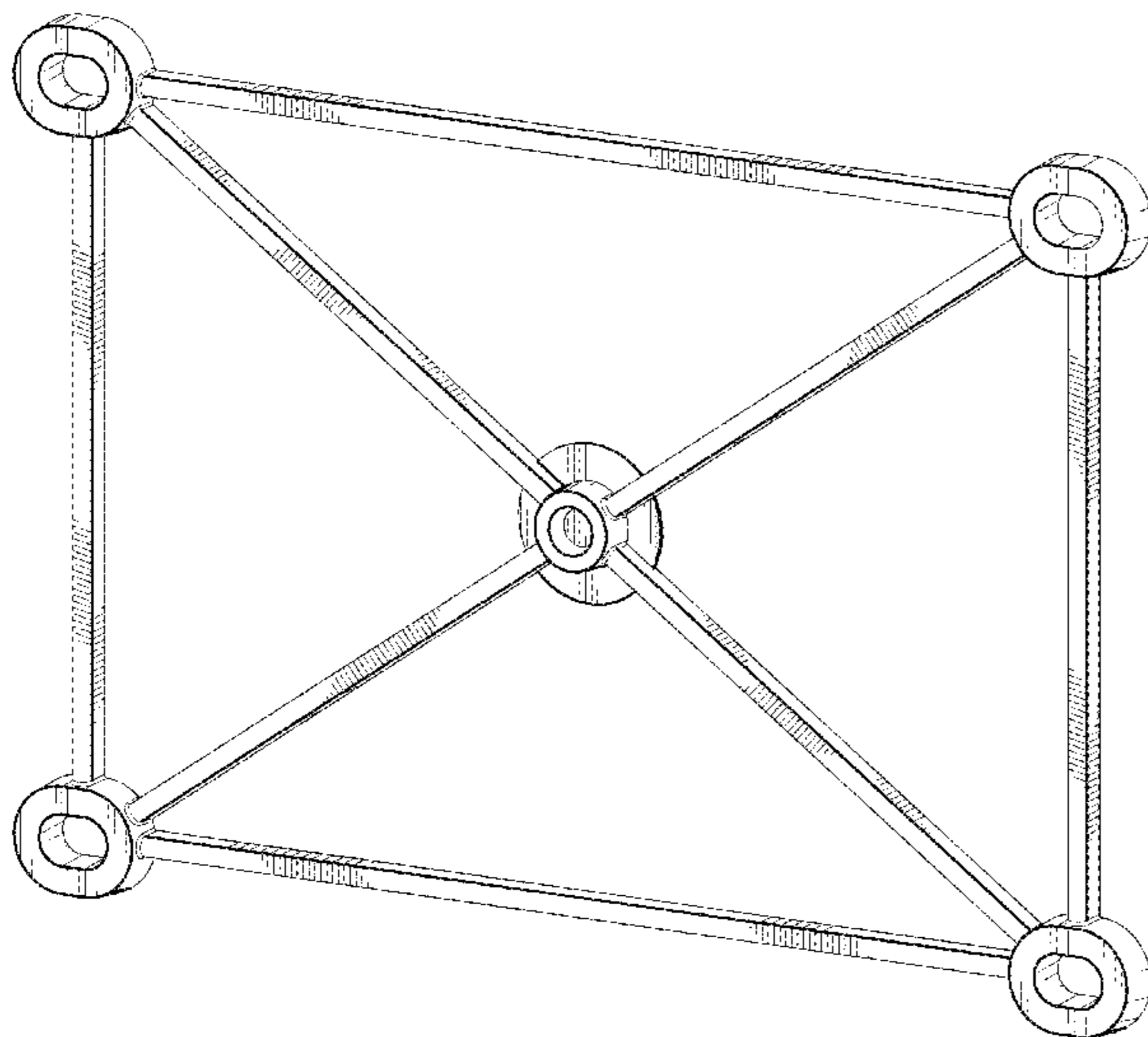
(57) **CLAIM**

The ornamental design for a license plate frame spacer unit, as shown and described.

DESCRIPTION

FIG. 1 is a perspective view of a license plate frame spacer unit, showing our new design;
FIG. 2 is a front view thereof;
FIG. 3 is a side view thereof, it being understood that the opposite side is a mirror image thereof;
FIG. 4 is a top plan view thereof, it being understood that the bottom plan view is a mirror image thereof; and,
FIG. 5 is a back view thereof.

1 Claim, 3 Drawing Sheets



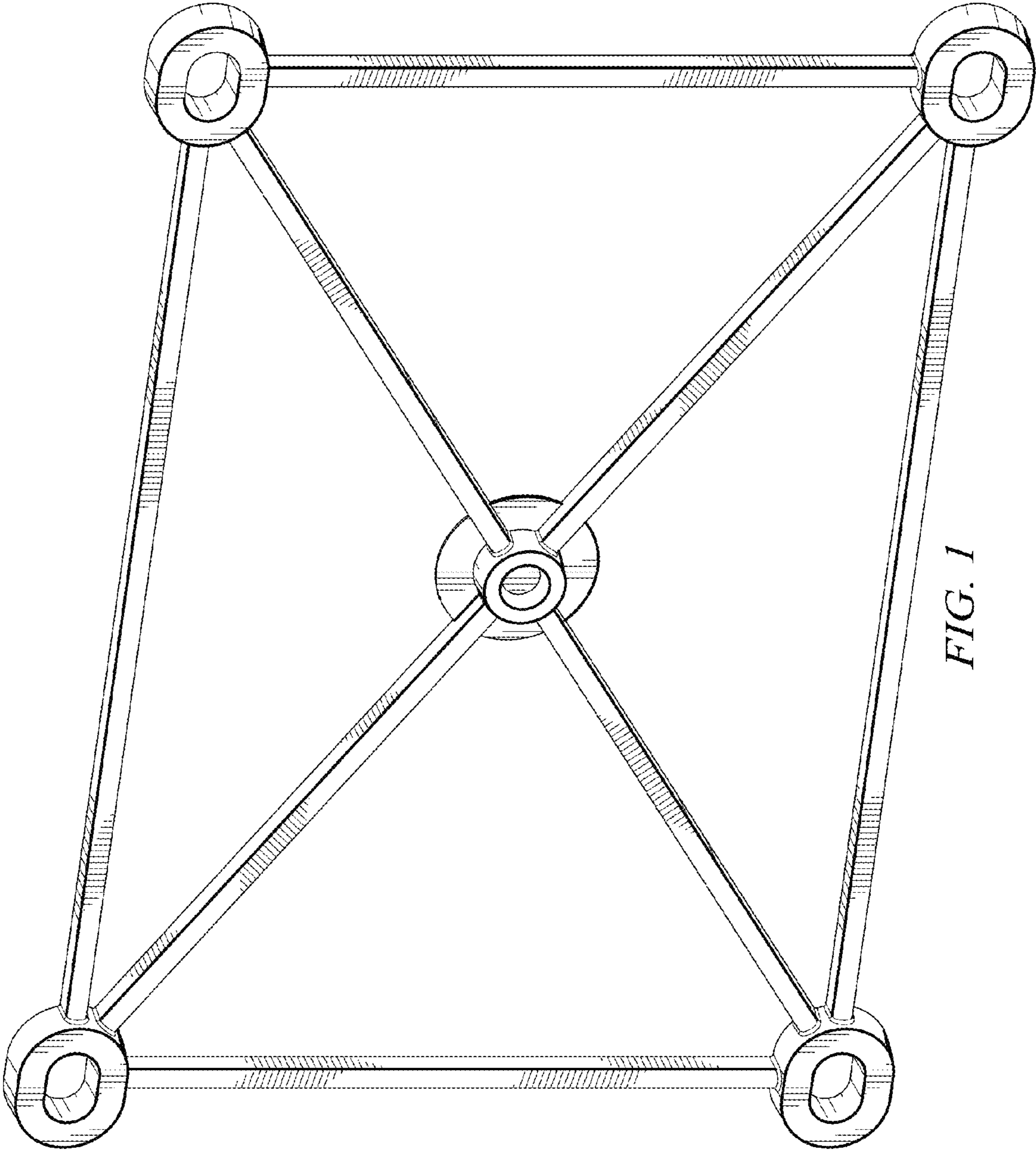


FIG. 1



FIG. 4

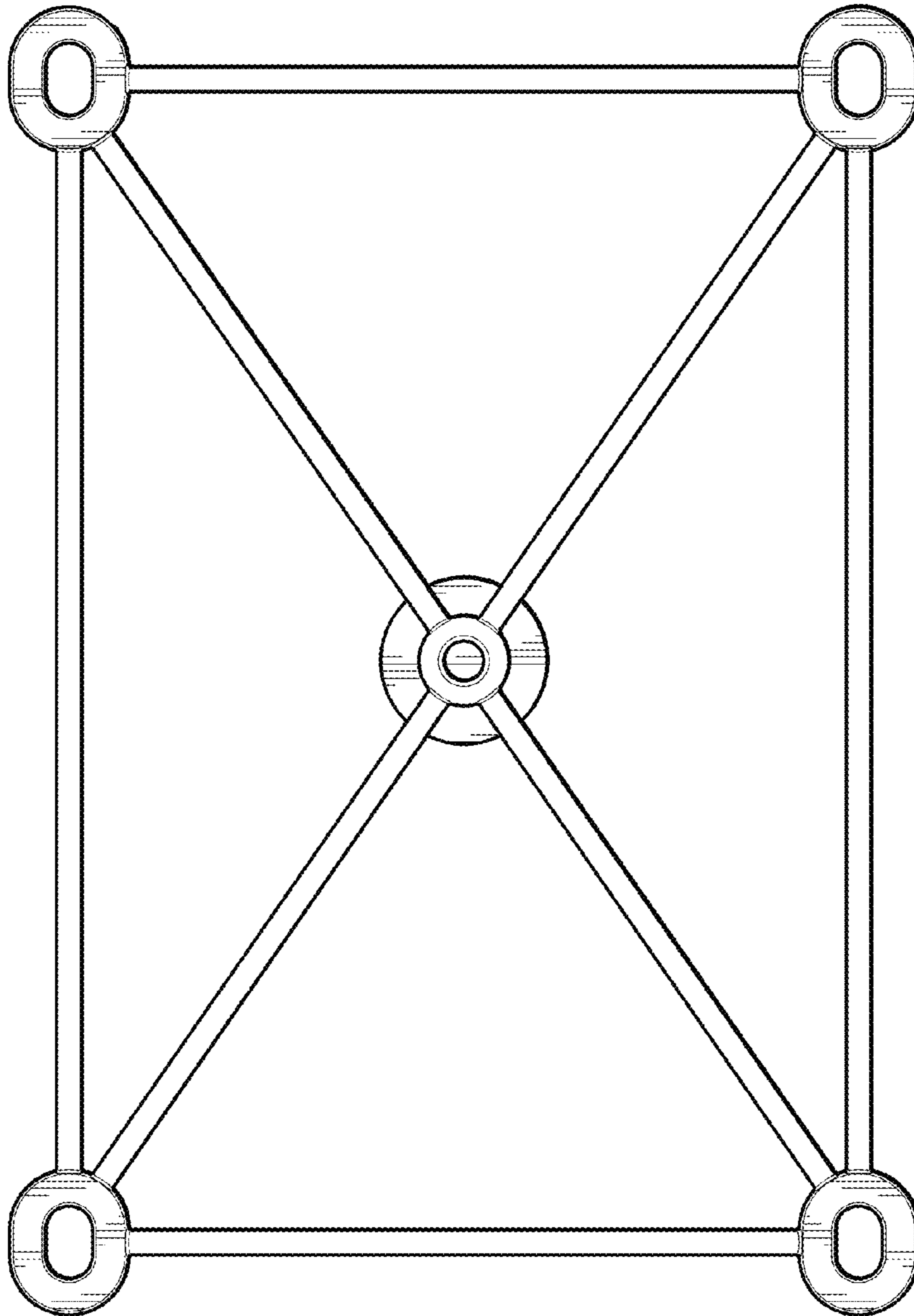


FIG. 2



FIG. 3

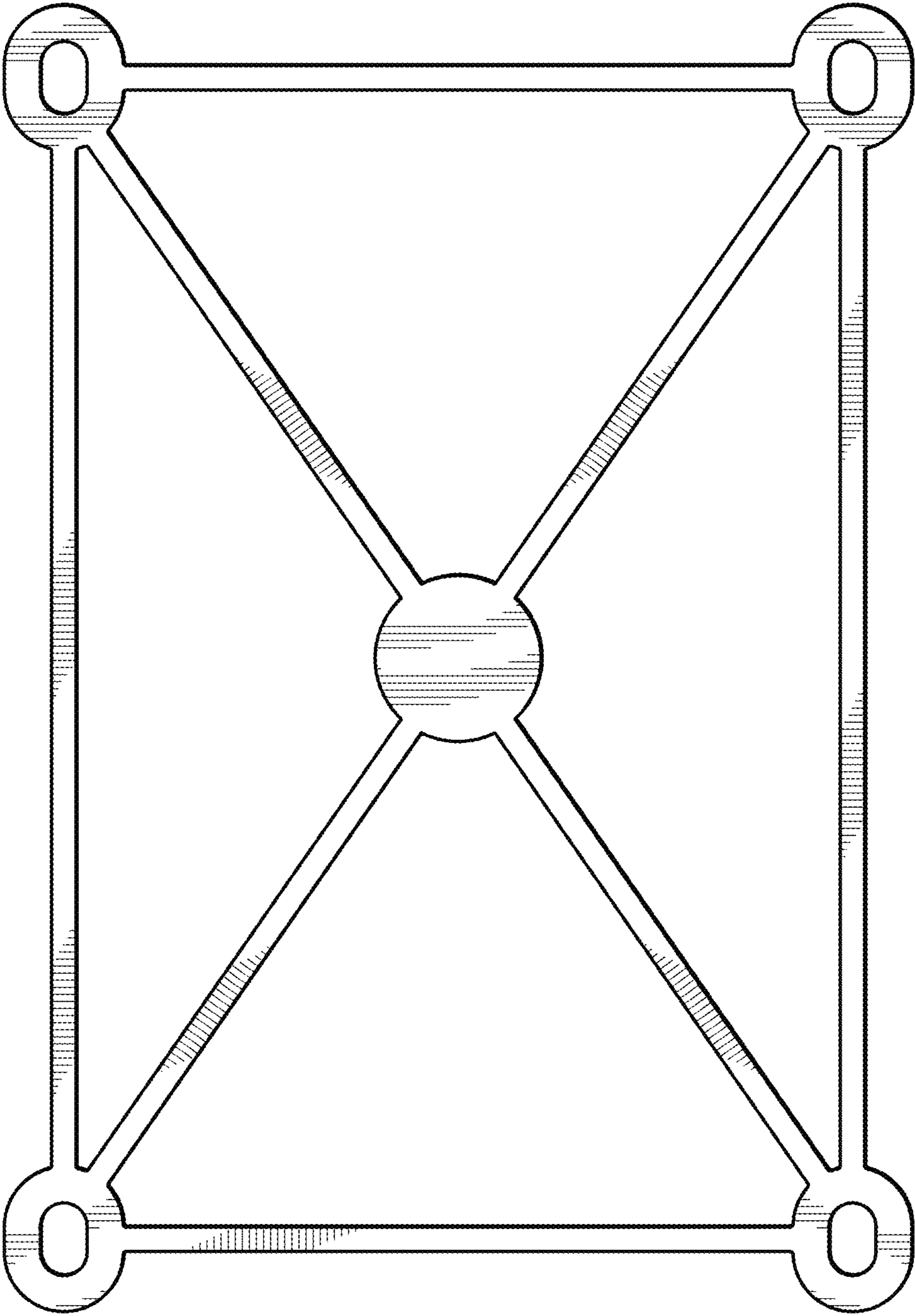


FIG. 5