

US00D709808S

(12) **United States Design Patent**
Ueda

(10) **Patent No.:** **US D709,808 S**
(45) **Date of Patent:** **** Jul. 29, 2014**

(54) **BUMPER FOR AN AUTOMOBILE**

(71) Applicant: **Toyota Jidosha Kabushiki Kaisha,**
Toyota (JP)
(72) Inventor: **Kazunori Ueda,** Chiryu (JP)
(73) Assignee: **Toyota Jidosha Kabushiki Kaisha** (JP)
(**) Term: **14 Years**

(21) Appl. No.: **29/449,370**
(22) Filed: **Mar. 15, 2013**
(51) **LOC (10) Cl.** **12-16**
(52) **U.S. Cl.**
USPC **D12/169**
(58) **Field of Classification Search**
USPC D12/169, 216, 90-92, 86, 171, 196,
D12/163; 293/102, 113, 115, 117, 120;
296/180.1, 180.2
See application file for complete search history.

(56) **References Cited**
U.S. PATENT DOCUMENTS

D692,809 S	*	11/2013	Uchino	D12/169
D698,711 S	*	2/2014	Endo et al.	D12/169
D700,115 S	*	2/2014	Okumoto	D12/169
D700,116 S	*	2/2014	Wada	D12/169

OTHER PUBLICATIONS

Mazda, Mazda CX5, Carview.co.jp, http://www.carview.co.jp/tms/2011/take_car/mazda_cx_5/default.asp?sc=1&p=9), available in 2011.
Jeep, Jeep Grand Cherokee, "Kokusan & Yunyu SUV no Subete 2011-2012," translated "All of Domestically-produced and Imported SUV 2011-2012," ISBN-13: 978-4779612367, published Jul. 9, 2011 by Sanei Shobo.

* cited by examiner

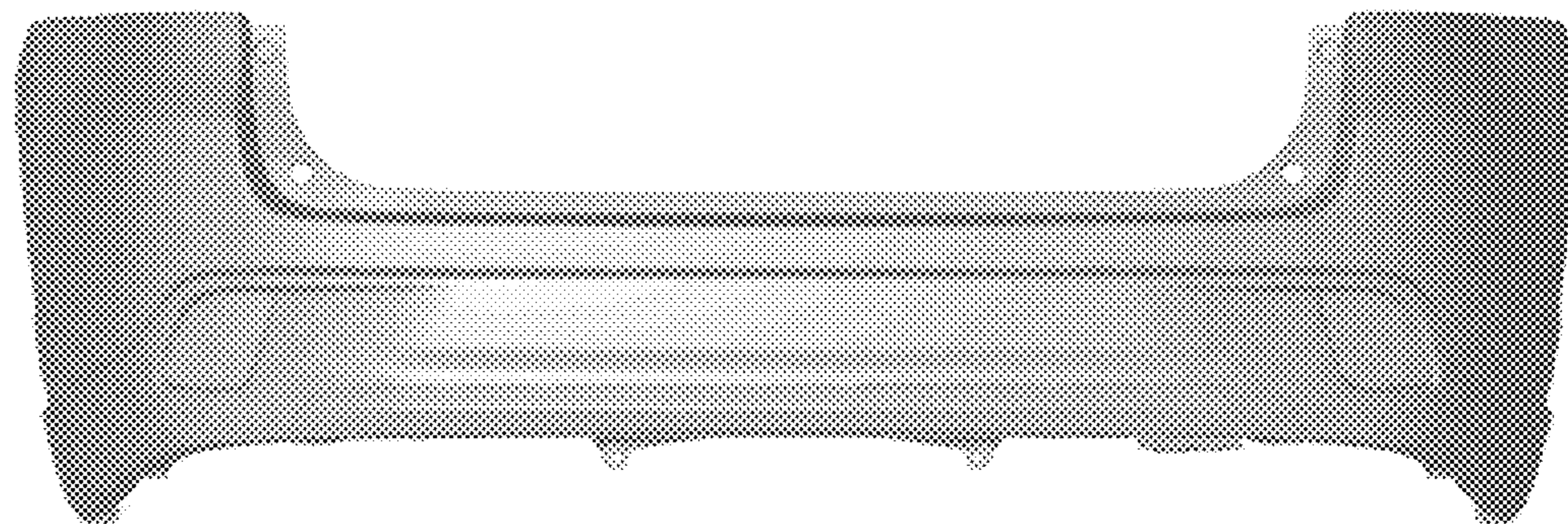
Primary Examiner — Melody Brown
(74) *Attorney, Agent, or Firm* — SAIDMAN DesignLaw Group

(57) **CLAIM**
The ornamental design for a bumper for an automobile, as shown and described.

DESCRIPTION

FIG. 1 is a front, perspective view of a bumper for an automobile showing my new design;
FIG. 2 is a front view thereof;
FIG. 3 is a rear view thereof;
FIG. 4 is a top view thereof;
FIG. 5 is a bottom view thereof;
FIG. 6 is a right side view thereof; and,
FIG. 7 is a left side view thereof.

1 Claim, 2 Drawing Sheets



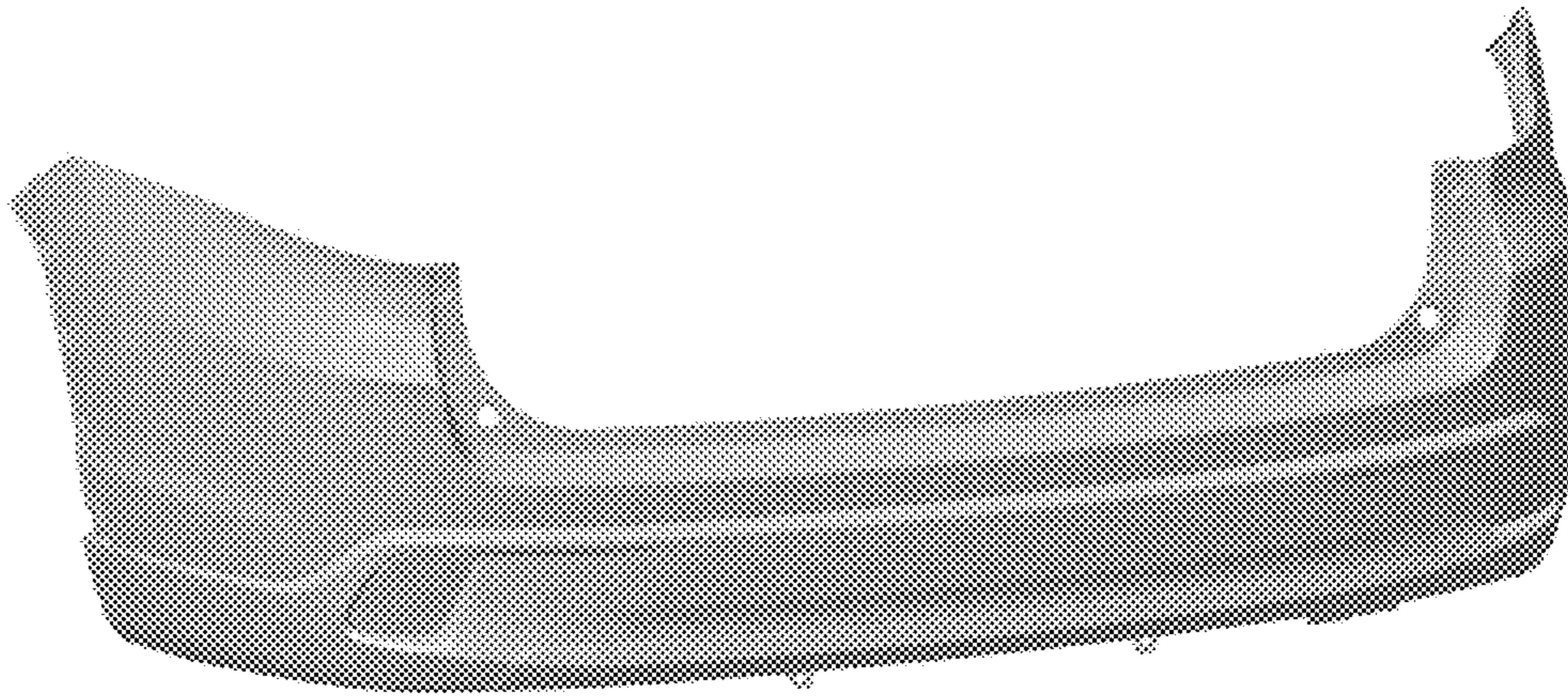


FIG. 1

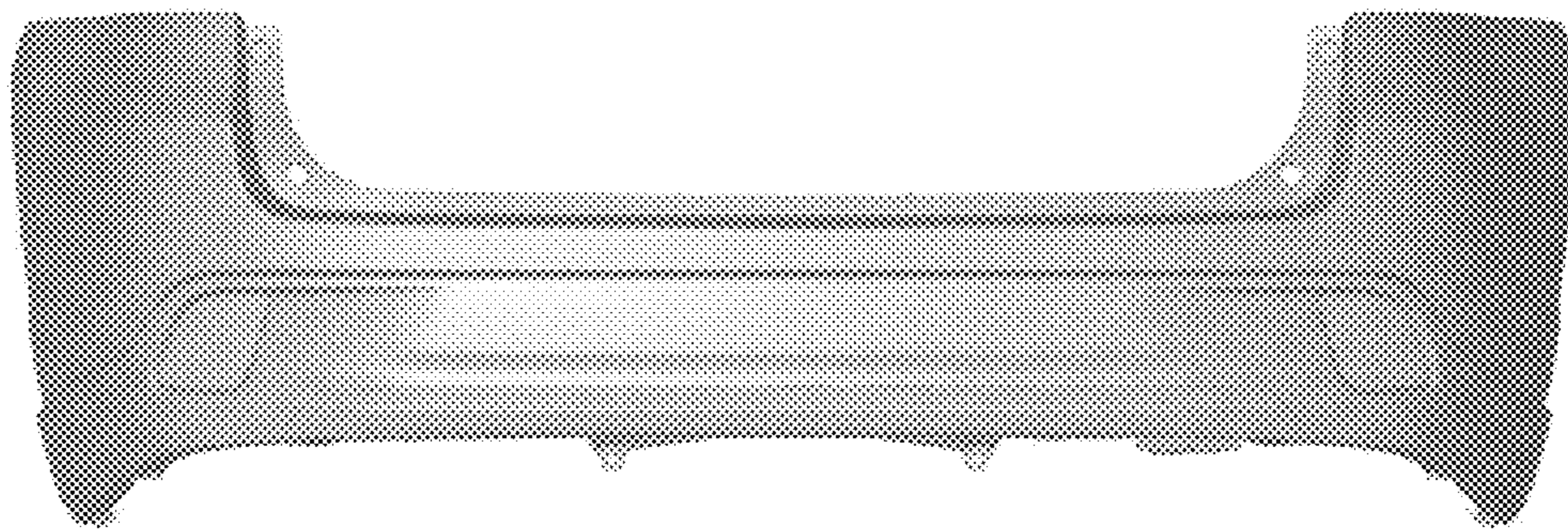


FIG. 2

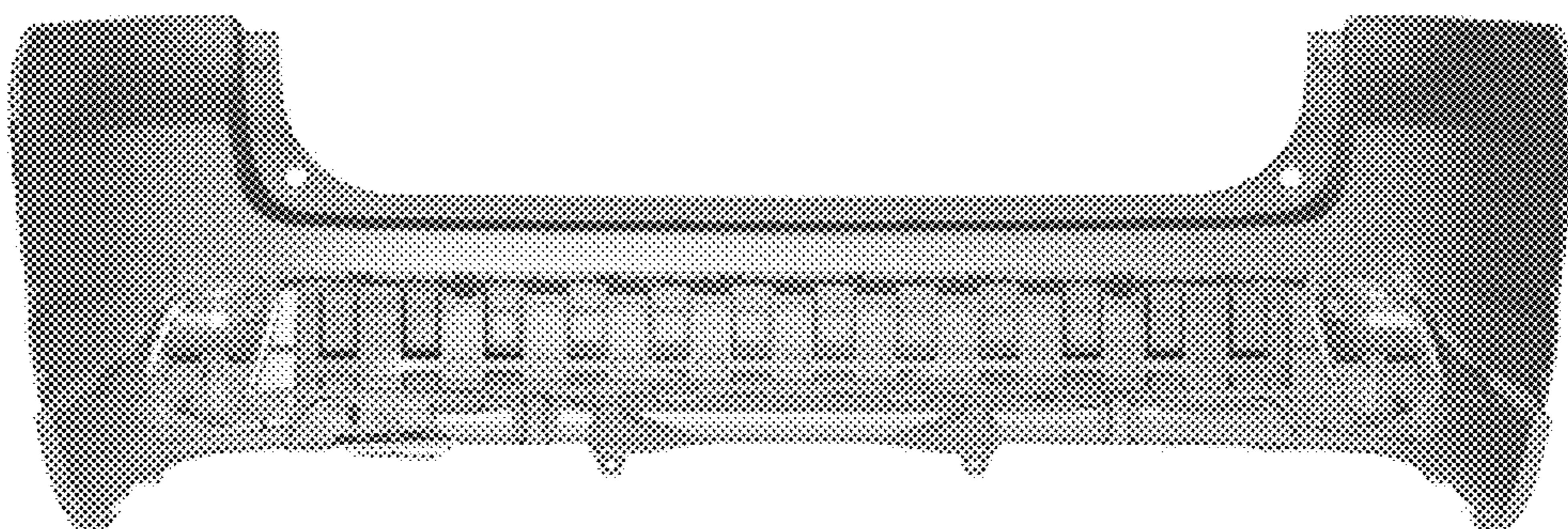


FIG. 3

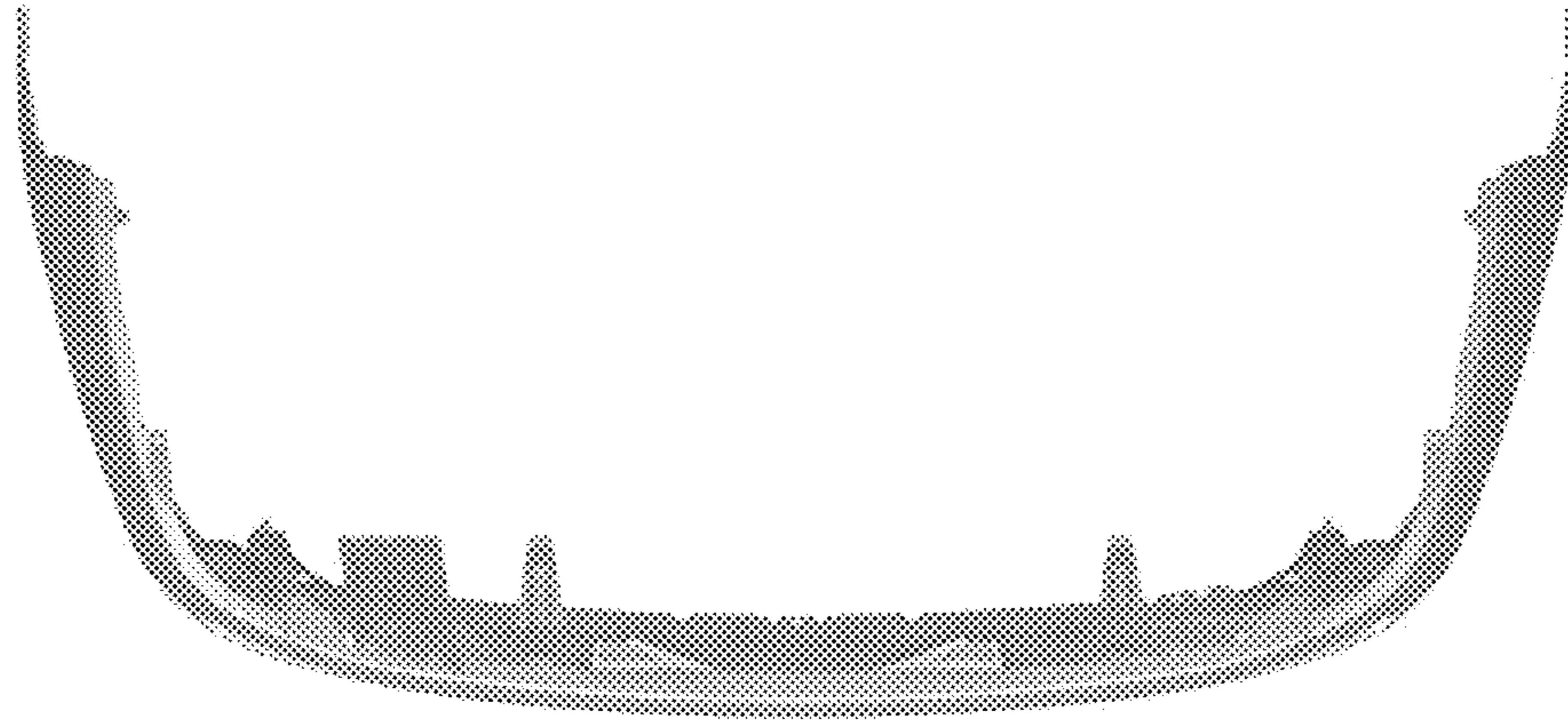


FIG. 4

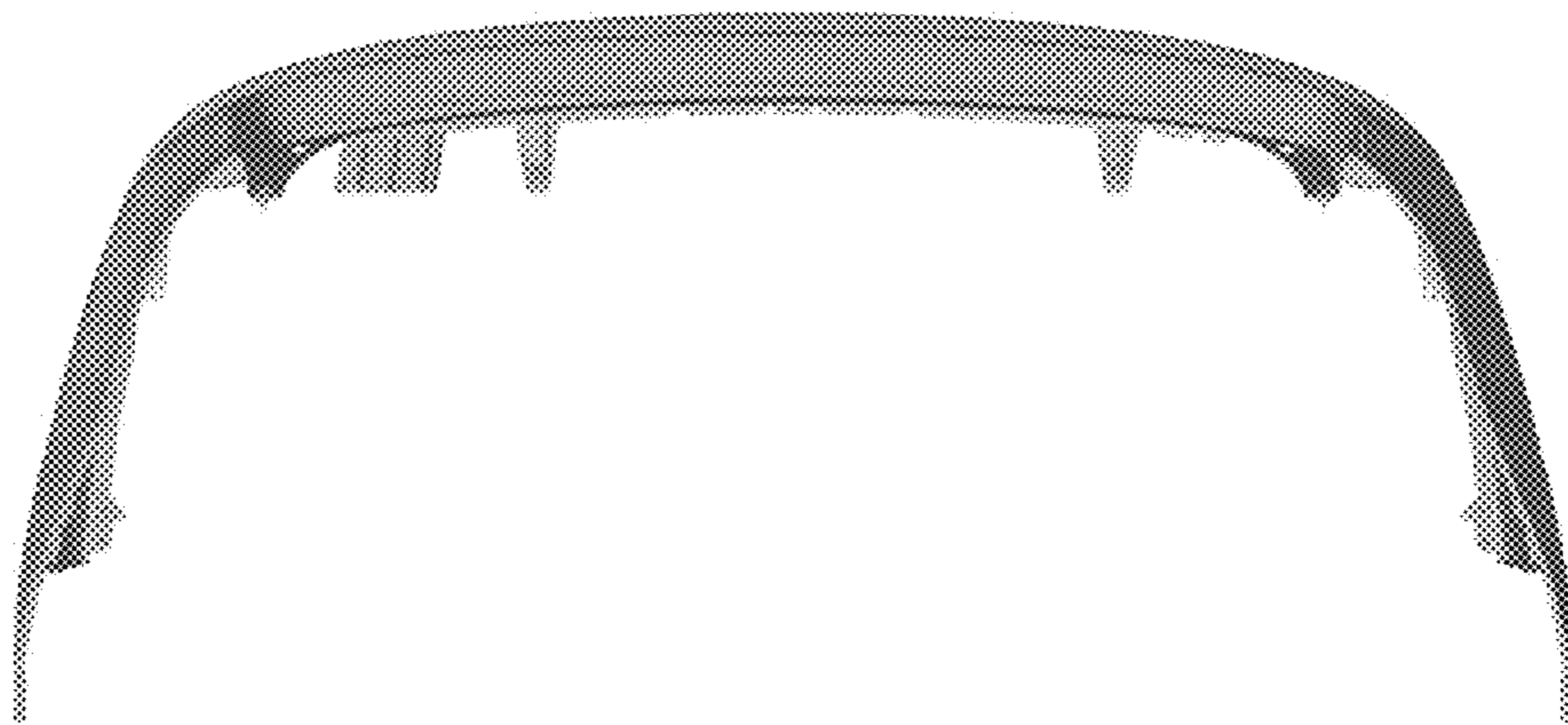


FIG. 5

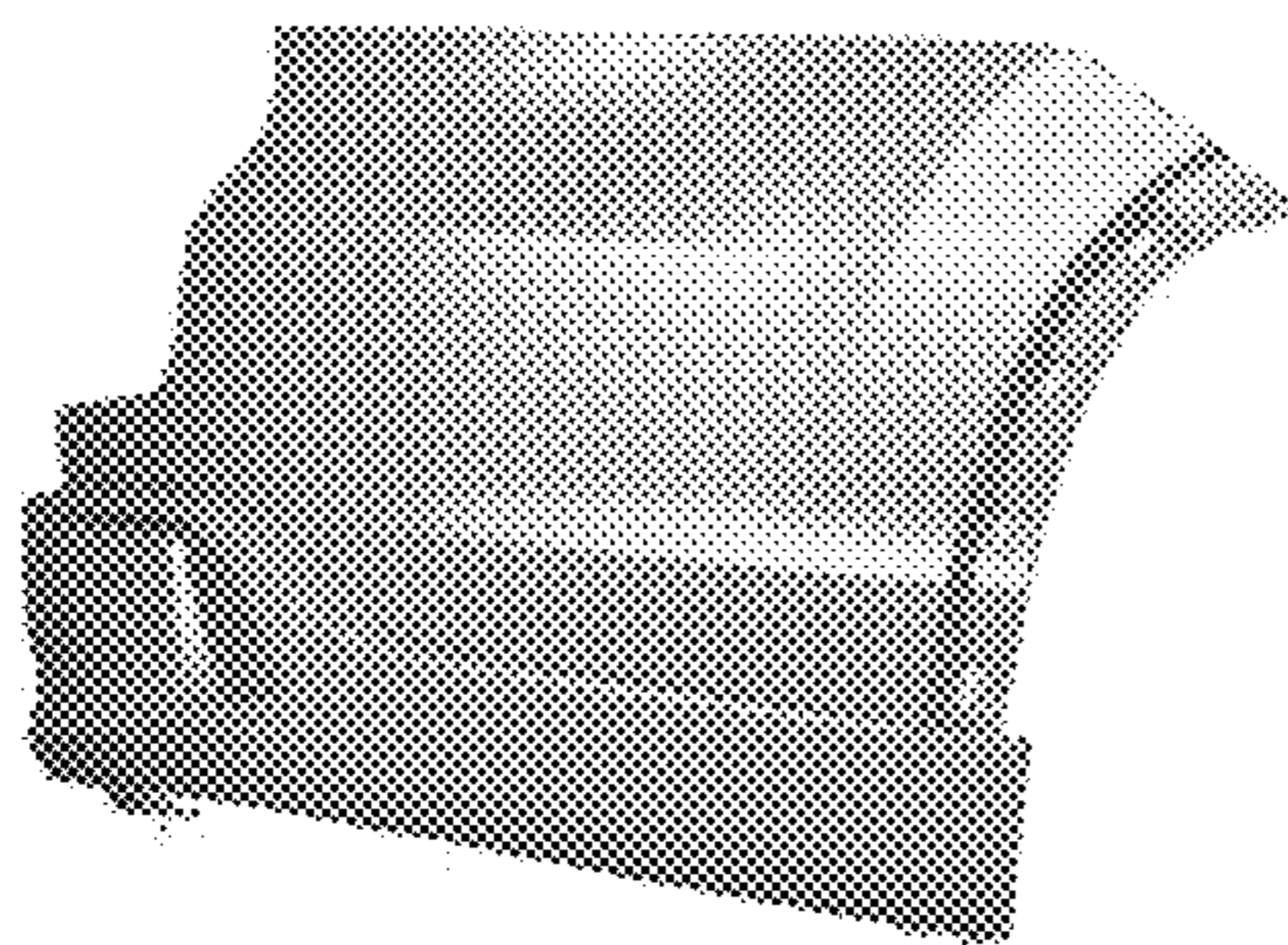


FIG. 6

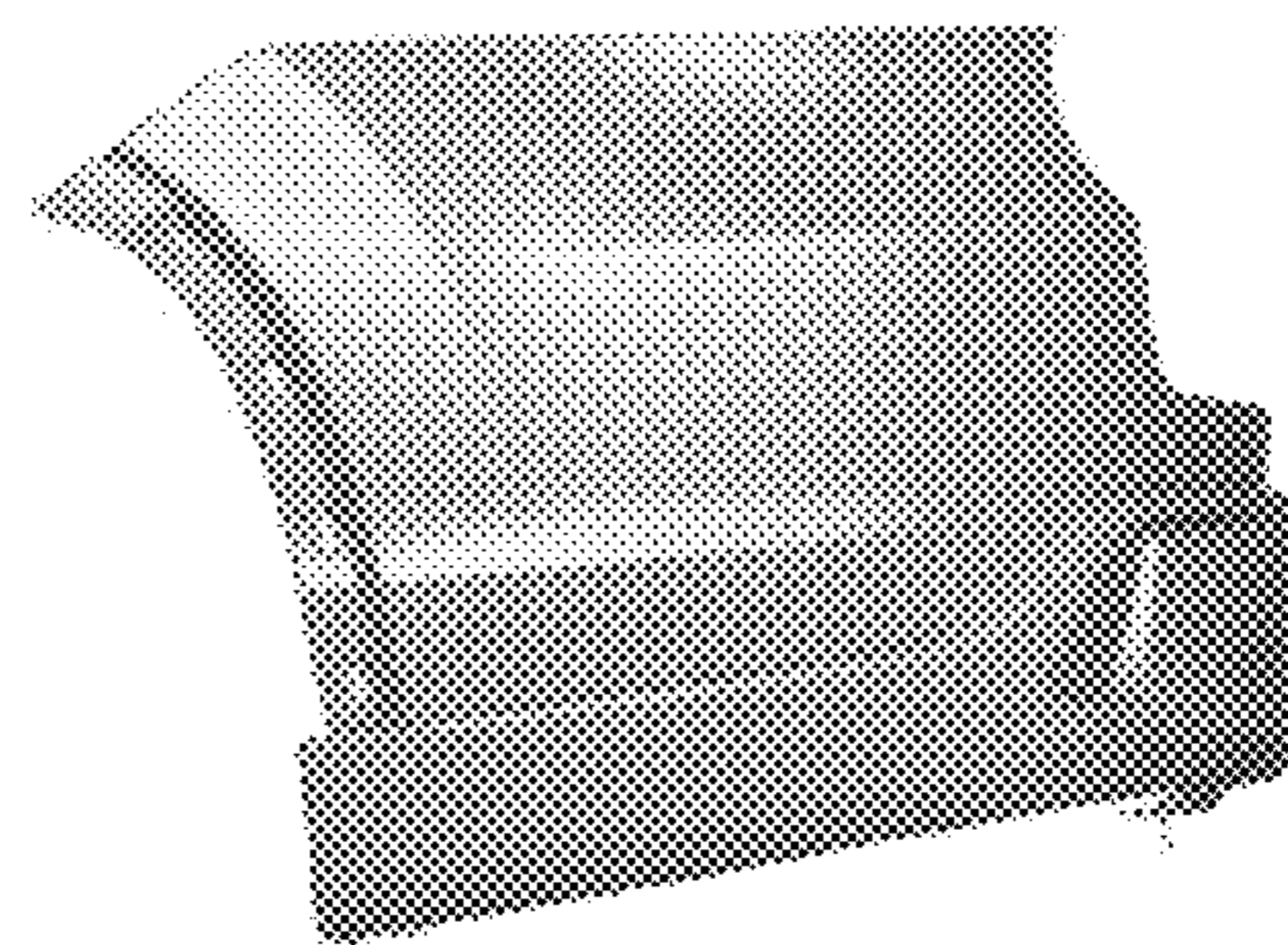


FIG. 7