



US00D709806S

(12) **United States Design Patent**
Musgrove

(10) **Patent No.:** **US D709,806 S**
(45) **Date of Patent:** **** Jul. 29, 2014**

(54) **PORTABLE BUMPER GUARD**
(71) Applicant: **Herbert Musgrove**, Broken Arrow, OK
(US)
(72) Inventor: **Herbert Musgrove**, Broken Arrow, OK
(US)
(**) Term: **14 Years**

5,290,618 A 3/1994 Olson
D378,909 S 4/1997 Aycock
5,848,512 A * 12/1998 Conn 52/837

(Continued)

(21) Appl. No.: **29/452,740**
(22) Filed: **Apr. 21, 2013**
(51) **LOC (10) Cl.** **12-16**
(52) **U.S. Cl.**
USPC **D12/167**

FOREIGN PATENT DOCUMENTS

JP 2002019559 A * 1/2002 B60R 21/02
JP 2008001272 A * 1/2008
JP 2010083459 A * 4/2010

OTHER PUBLICATIONS

Maus, Jonathan. "Trucks now rolling with side underrun guards." Bike Portland., Jun. 30, 2008 [online], [retrieved on Mar. 3, 2014]. Retrieved from the Internet <URL: <http://bikeportland.org/2008/06/30/trucks-now-rolling-with-side-underrun-guards-8077>>.*

(Continued)

(58) **Field of Classification Search**
USPC D12/167, 169, 170, 171; 293/102, 103,
293/115, 116, 120, 121, 126-128, 144;
280/770, 848; 296/100.15, 118, 126,
296/128, 131, 132, 146.5, 146.6; D21/300,
D21/385, 386, 398, 404, 478, 479, 480,
D21/484-505, 662, 679, 680, 686, 694, 698,
D21/699, 700, 706, 753, 756, 757, 780-789,
D21/791, 796, 797, 798-800, 811, 814, 815,
D21/826; D25/11, 41.1, 42, 43, 44, 48.8,
D25/61, 109, 113-118, 119, 126, 127, 131,
D25/133, 134; D6/491-511, 672; D11/143,
D11/155, 164; D8/1; 52/102, 233,
52/578-592.6, 831, 832, 843-855;
47/25.1, 29.6, 33, 65.5, 66.1, 66.3, 85;
404/6-9, 34-36, 99; D7/637

Primary Examiner — Philip S Hyder
Assistant Examiner — Darlington Ly
(74) *Attorney, Agent, or Firm* — QuickPatents; Kevin Prince

(57) **CLAIM**
I claim the ornamental design for a portable bumper guard, as shown and described.

DESCRIPTION

FIG. 1 is an isometric view of a portable bumper guard, showing my new design in a state of use.
FIG. 2 is a front, top, and left-side isometric view of the portable bumper guard;
FIG. 3 is a front elevational view thereof;
FIG. 4 is a rear elevational view thereof;
FIG. 5 is a right-side elevational view thereof;
FIG. 6 is a left-side elevational view thereof;
FIG. 7 is a top plan view thereof; and,
FIG. 8 is a bottom plan view thereof.
The broken lines showing a truck in FIG. 1 depict environmental matter and form no part of the claimed design.

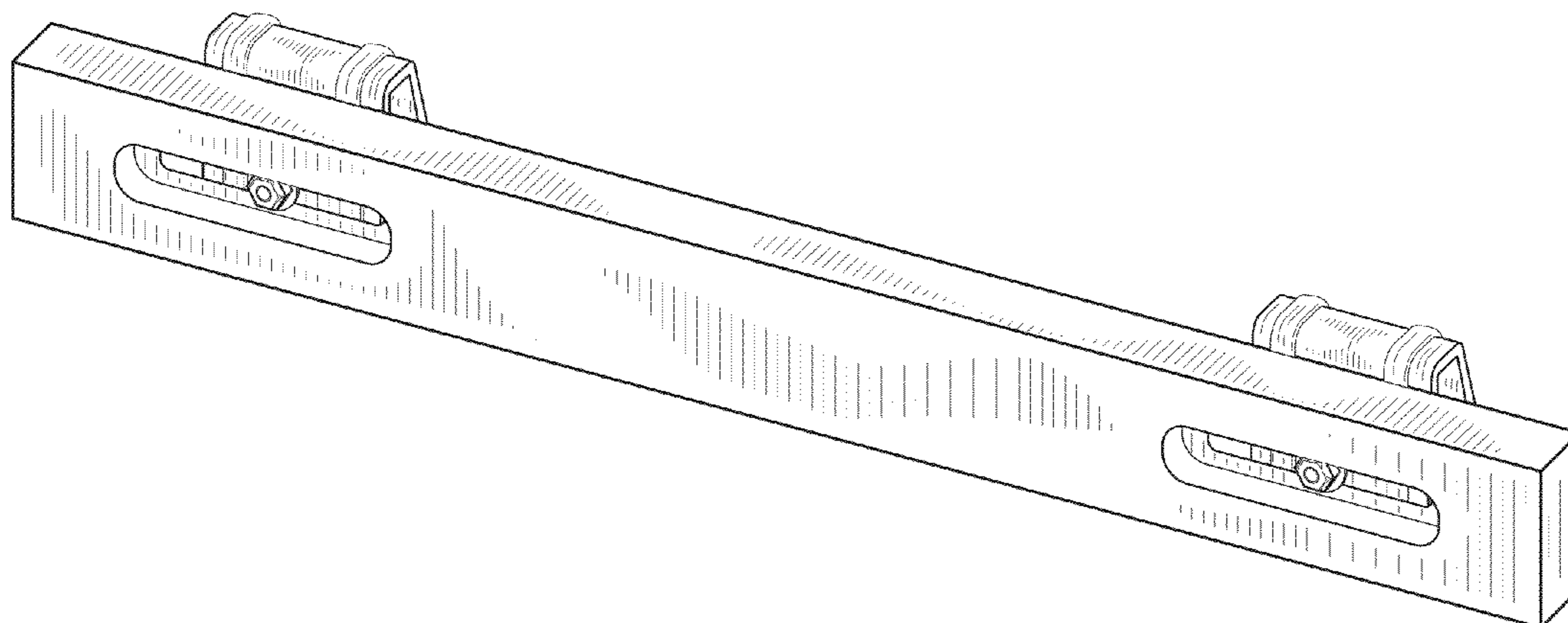
See application file for complete search history.

(56) **References Cited**

U.S. PATENT DOCUMENTS

D213,075 S * 12/1968 Bogan D19/85
D294,138 S * 2/1988 Heyman D12/169
4,828,303 A * 5/1989 Soria 293/128
D301,861 S * 6/1989 Muschette D12/167
D328,884 S 8/1992 Schaller

1 Claim, 3 Drawing Sheets



(56)

References Cited

U.S. PATENT DOCUMENTS

D446,484 S * 8/2001 Martel D12/167
 D460,201 S * 7/2002 Lisula D25/126
 6,527,318 B2 * 3/2003 Kolper 293/126
 6,890,019 B2 * 5/2005 Leistra et al. 296/146.6
 D508,222 S 8/2005 Tekavec
 D515,989 S * 2/2006 Choi et al. D12/169
 7,188,875 B2 * 3/2007 Norelius 293/128
 7,338,100 B2 * 3/2008 Meyer 293/142
 D579,277 S * 10/2008 Stokes D7/637
 D579,728 S * 11/2008 Stokes D7/637
 D582,337 S * 12/2008 Derecktor D12/406
 7,527,320 B1 * 5/2009 Nevell, Jr. 293/102
 D619,669 S * 7/2010 Mesirow D21/797
 7,866,715 B2 1/2011 Malina
 8,047,601 B2 11/2011 Malina
 D665,195 S * 8/2012 Hsieh D6/449

8,235,432 B2 * 8/2012 Ryan et al. 293/118
 D674,032 S * 1/2013 Howard, II D21/698
 8,496,267 B2 * 7/2013 Wohlberg et al. 280/770
 D689,417 S * 9/2013 Shelters D12/171
 D690,029 S * 9/2013 Mukith et al. D25/38.1
 2003/0085580 A1 5/2003 Bio
 2008/0203745 A1 8/2008 Rodriguez
 2010/0276951 A1 11/2010 Malina
 2011/0198874 A1 8/2011 Lee

OTHER PUBLICATIONS

Alter, Lloyd. "There are side guards on every truck in China, yet they are too expensive for North America?" Tree Hugger., Sep. 22, 2013 [online], [retrieved on Mar. 3, 2014]. Retrieved from the Internet <URL: <http://www.treehugger.com/bikes/there-are-side-guards-every-truck-china-yet-they-are-too-expensive-north-america.html>>.*

* cited by examiner

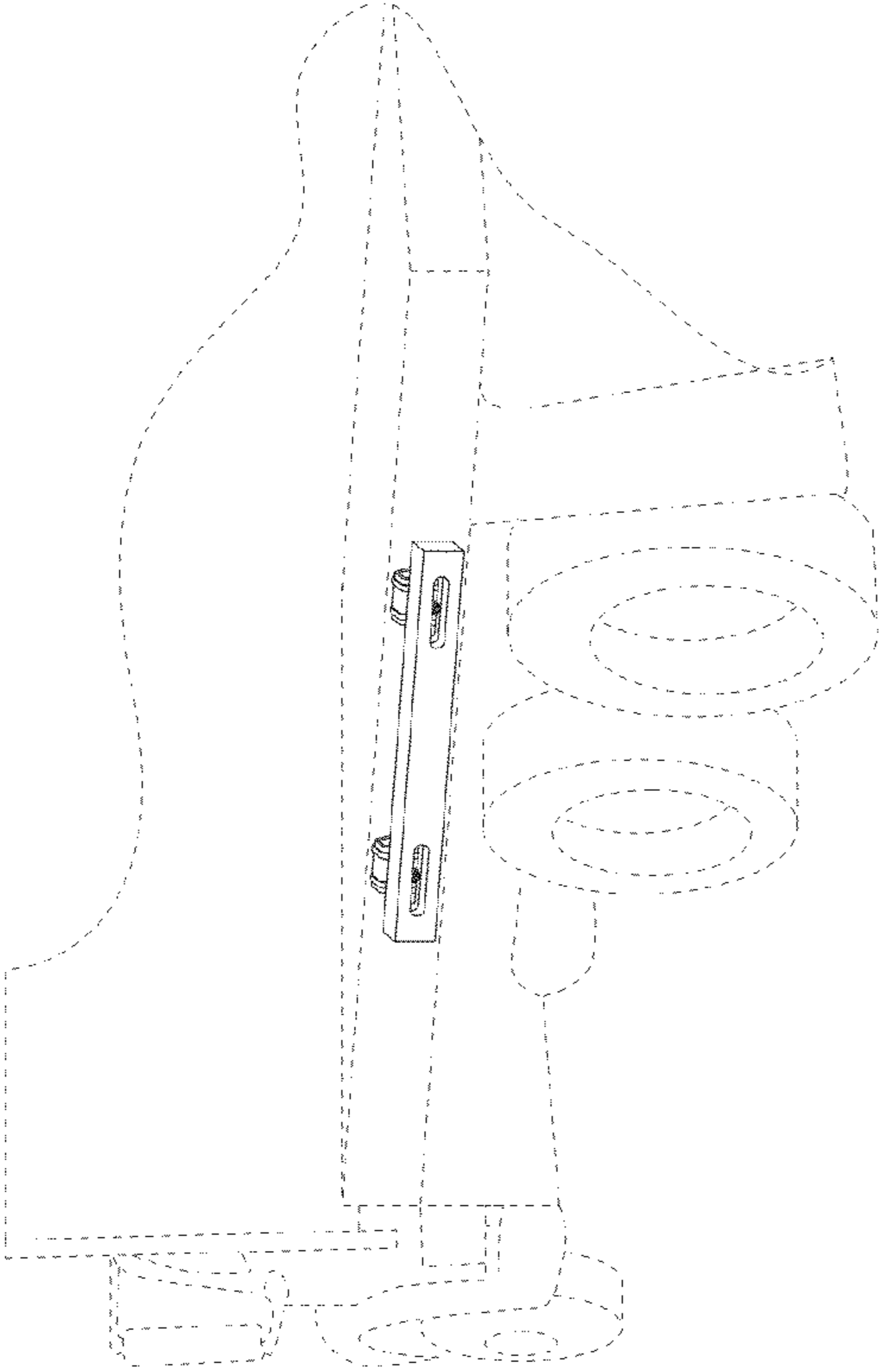


FIG. 1

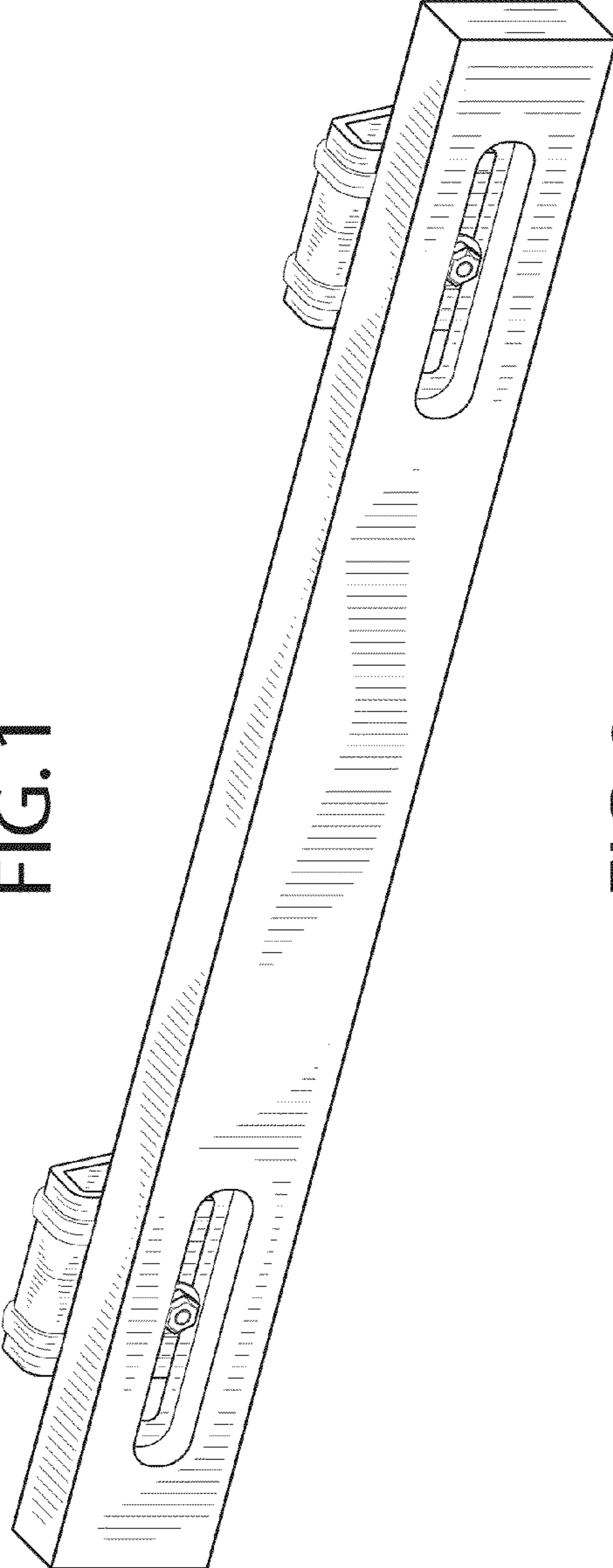


FIG. 2

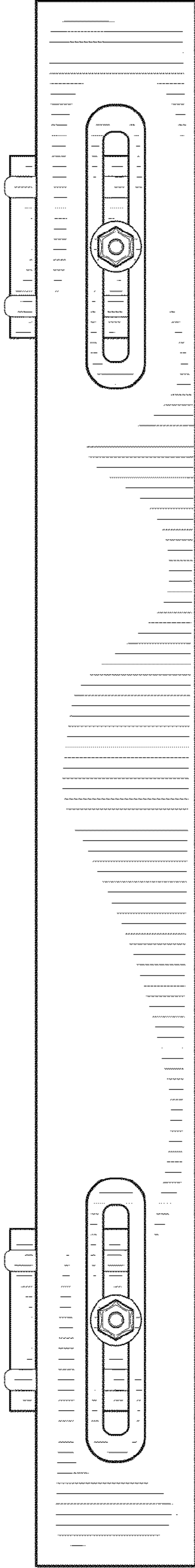


FIG. 3

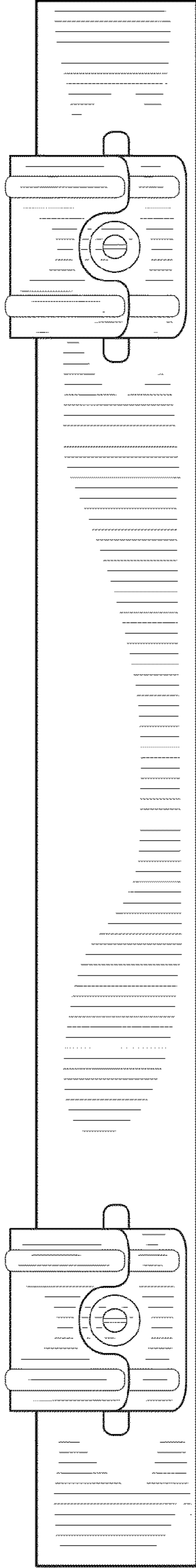


FIG. 4

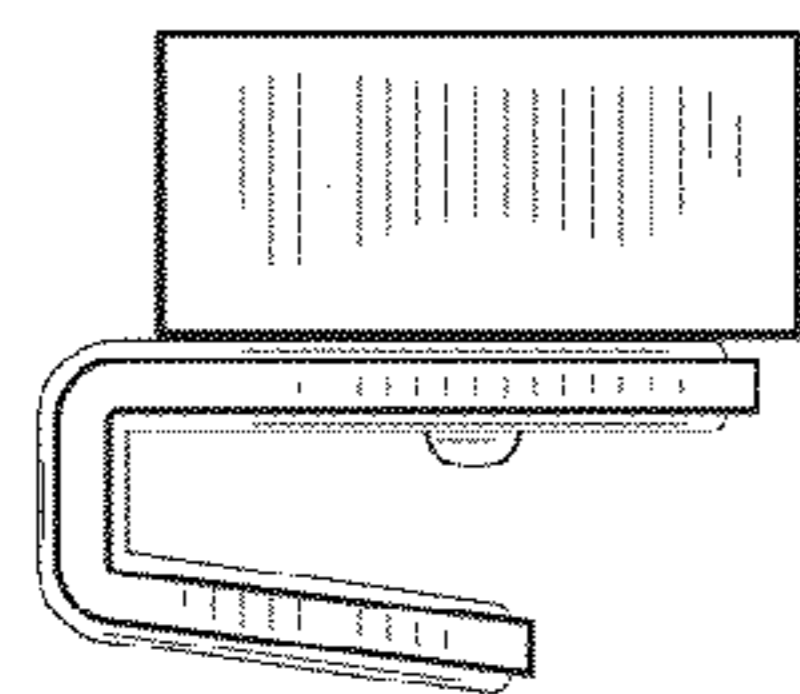


FIG. 5

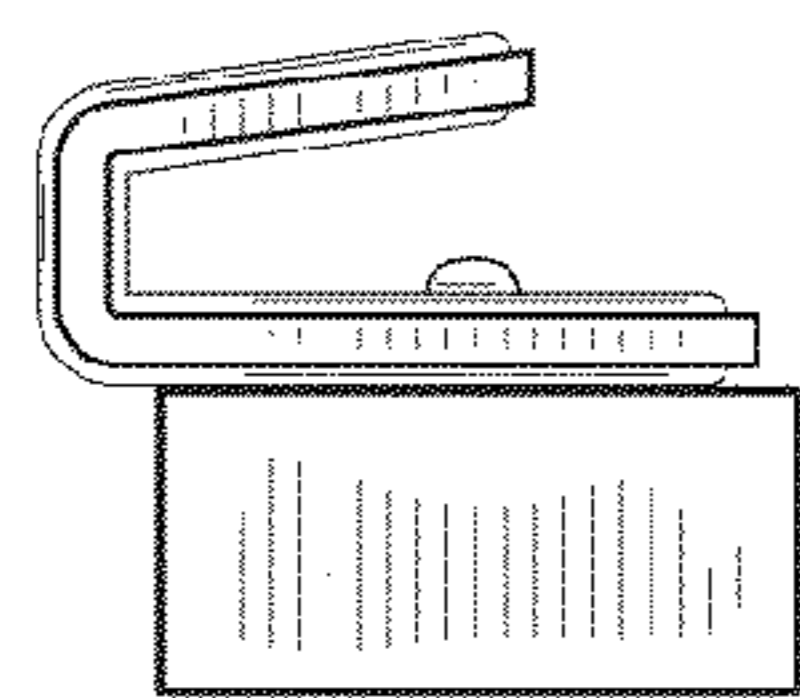


FIG. 6

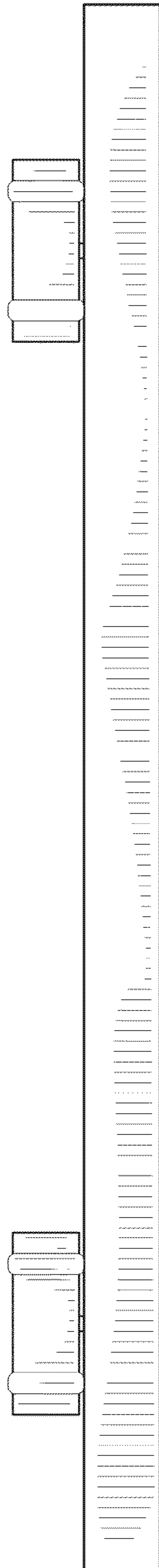
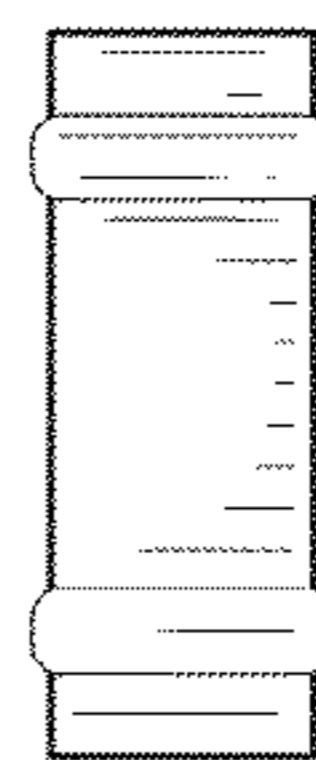


FIG. 7

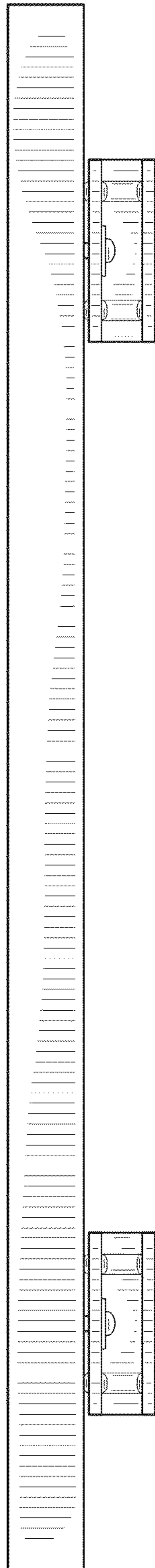
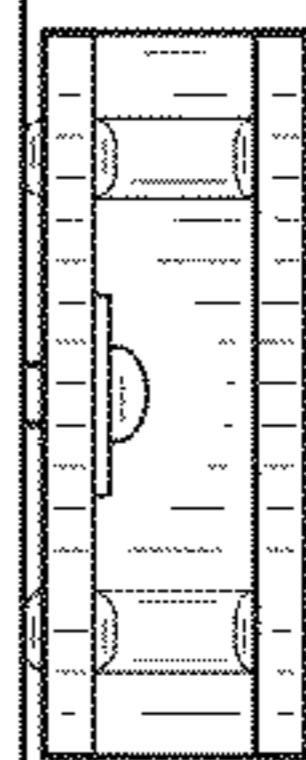


FIG. 8