



US00D709805S

(12) **United States Design Patent**
Hill

(10) **Patent No.:** **US D709,805 S**

(45) **Date of Patent:** **** Jul. 29, 2014**

(54) **DUAL HITCH RECEIVERS WITH DRAWBAR**

(71) Applicant: **Curt J. Hill**, Warba, MN (US)

(72) Inventor: **Curt J. Hill**, Warba, MN (US)

(**) Term: **14 Years**

(21) Appl. No.: **29/467,604**

(22) Filed: **Sep. 20, 2013**

(51) **LOC (10) Cl.** **12-16**

(52) **U.S. Cl.**
USPC **D12/162**

(58) **Field of Classification Search**
USPC D12/162, 159, 161, 160; 56/DIG. 14;
37/399; 280/406.2, 407, 407.1, 408,
280/411.1, 416.1, 416.2, 416.3, 418, 418.1,
280/433, 434, 435, 441.1, 441.2, 455.1,
280/456.1, 480, 493, 504, 507, 508;
224/42.11, 42.12, 42.14, 42.26, 400,
224/401, 412, 413, 488, 494, 500-501, 519,
224/537; 135/88.05; 150/166
See application file for complete search history.

(56) **References Cited**

U.S. PATENT DOCUMENTS

D358,570 S * 5/1995 Doherty et al. D12/162
6,634,667 B1 * 10/2003 Tozer 280/514

6,712,381 B1 * 3/2004 Moss 280/491.1
6,745,926 B2 * 6/2004 Chimenti 224/509
7,044,493 B1 * 5/2006 Wilson 280/489
7,338,064 B1 * 3/2008 Williams 280/491.3
7,819,128 B2 * 10/2010 Clark et al. 135/88.08
2007/0102898 A1 * 5/2007 Schulze 280/507
2007/0145716 A1 * 6/2007 Schulze 280/483
2011/0156369 A1 * 6/2011 Schroder 280/491.1

* cited by examiner

Primary Examiner — Katrina A Betton

(74) *Attorney, Agent, or Firm* — Dennis L. Thomte; Thomte Patent Law Office LLC

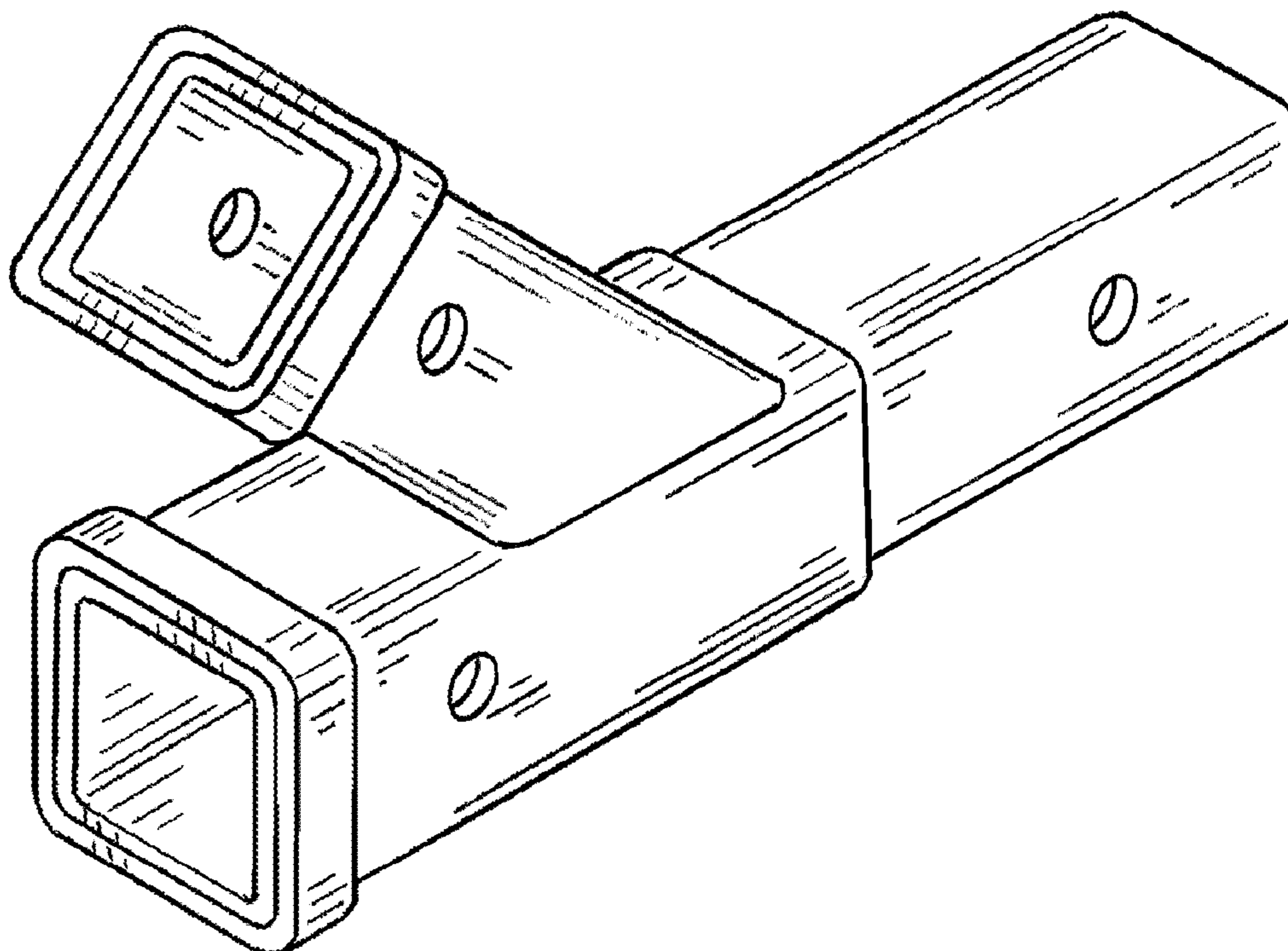
(57) **CLAIM**

The ornamental design for dual hitch receivers with drawbar, as shown and described.

DESCRIPTION

FIG. 1 is a perspective view of this invention;
FIG. 2 is a top view of this invention;
FIG. 3 is a rear view of this invention;
FIG. 4 is a side view of this invention;
FIG. 5 is a front view of this invention;
FIG. 6 is a side view of this invention; and,
FIG. 7 is a bottom view of this invention.

1 Claim, 2 Drawing Sheets



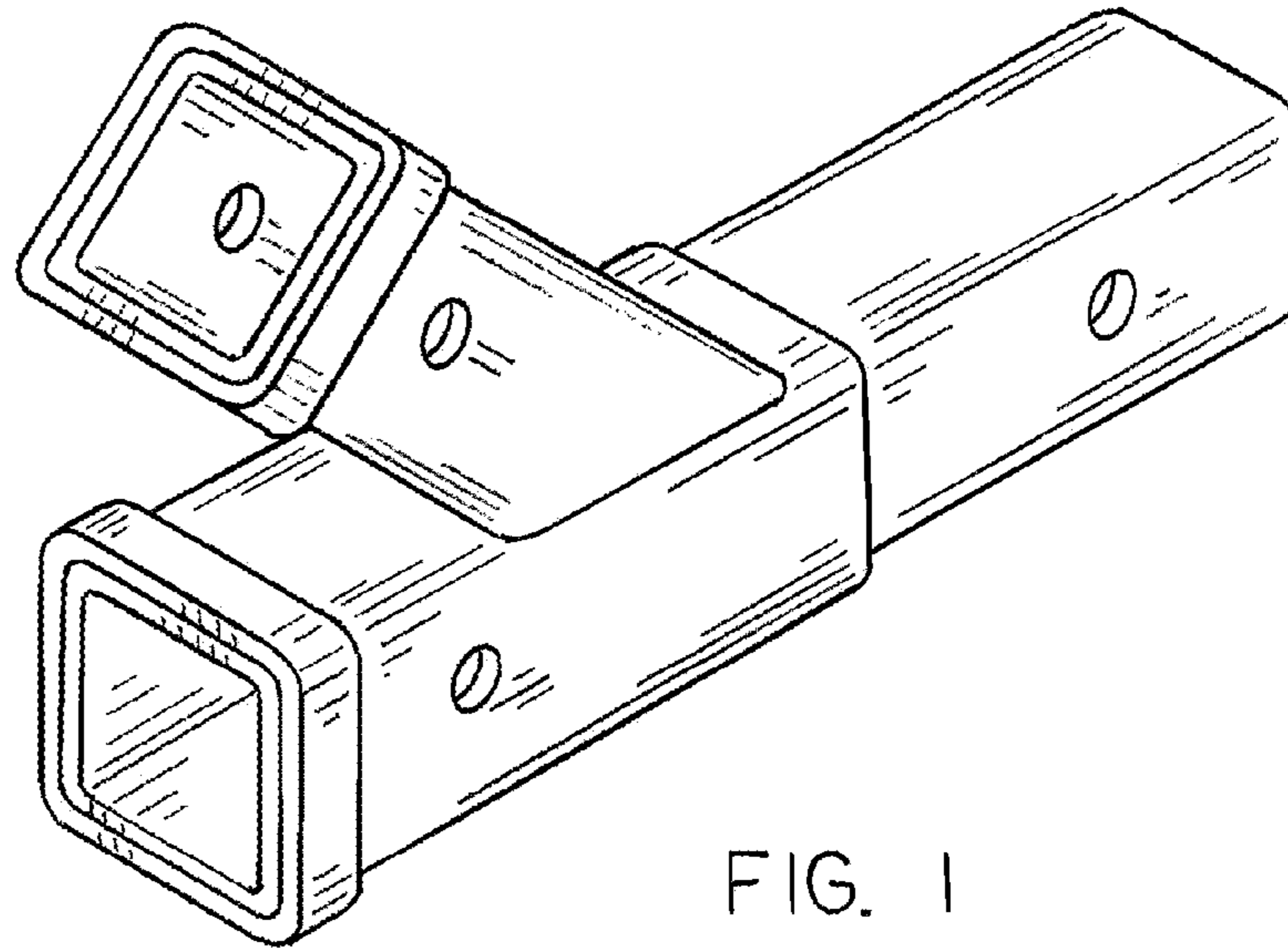


FIG. 1

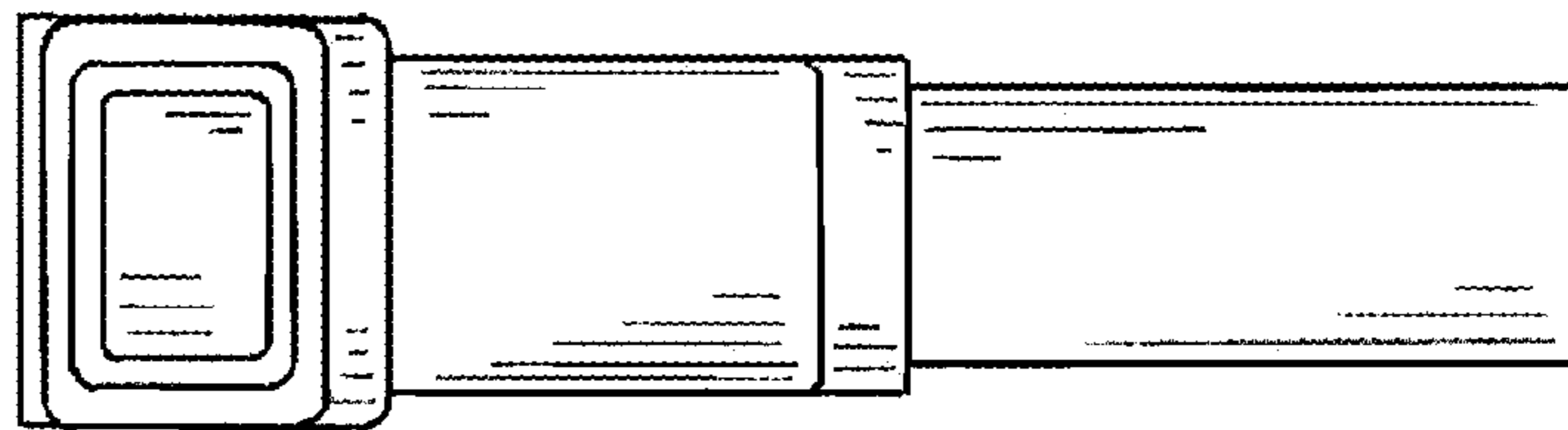


FIG. 2

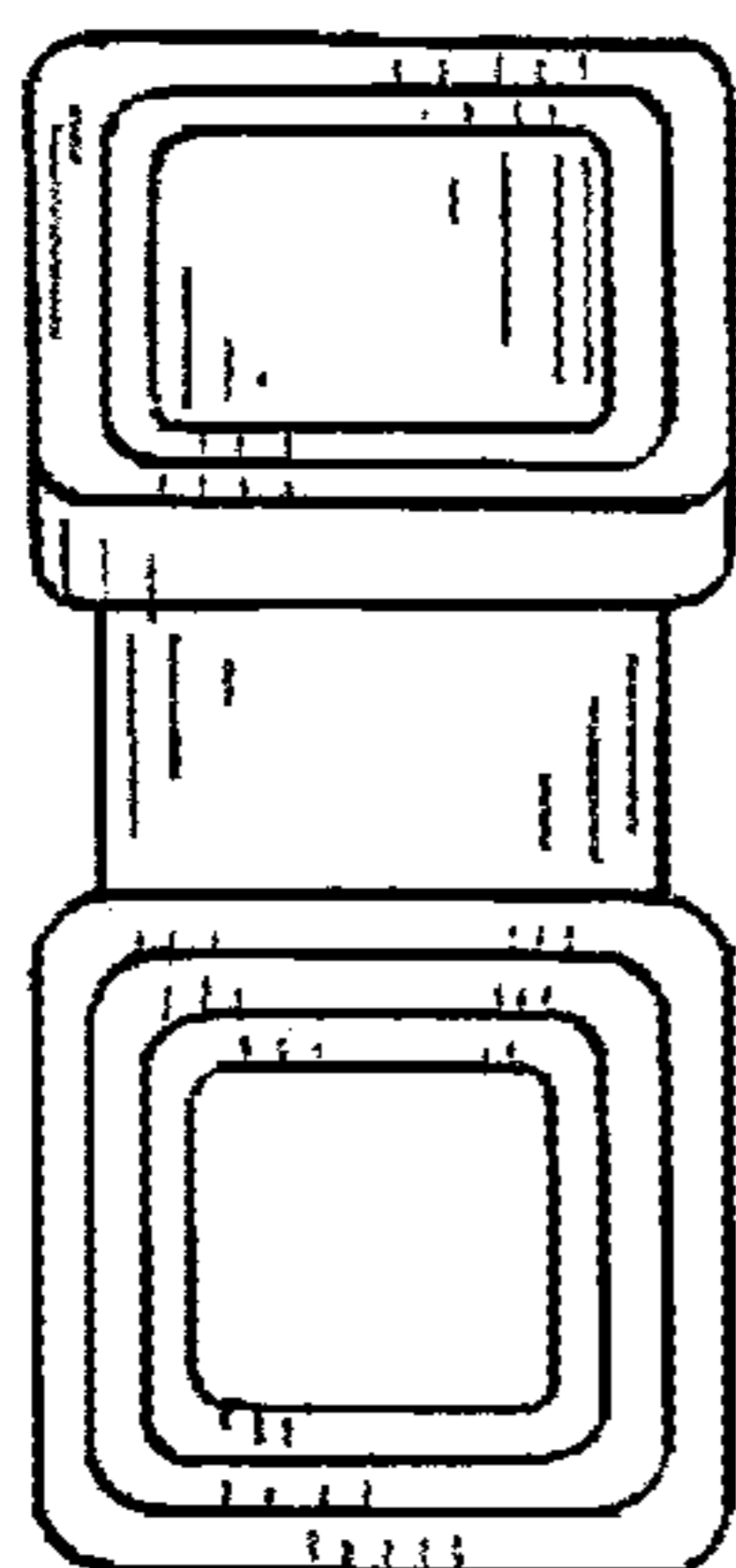


FIG. 3

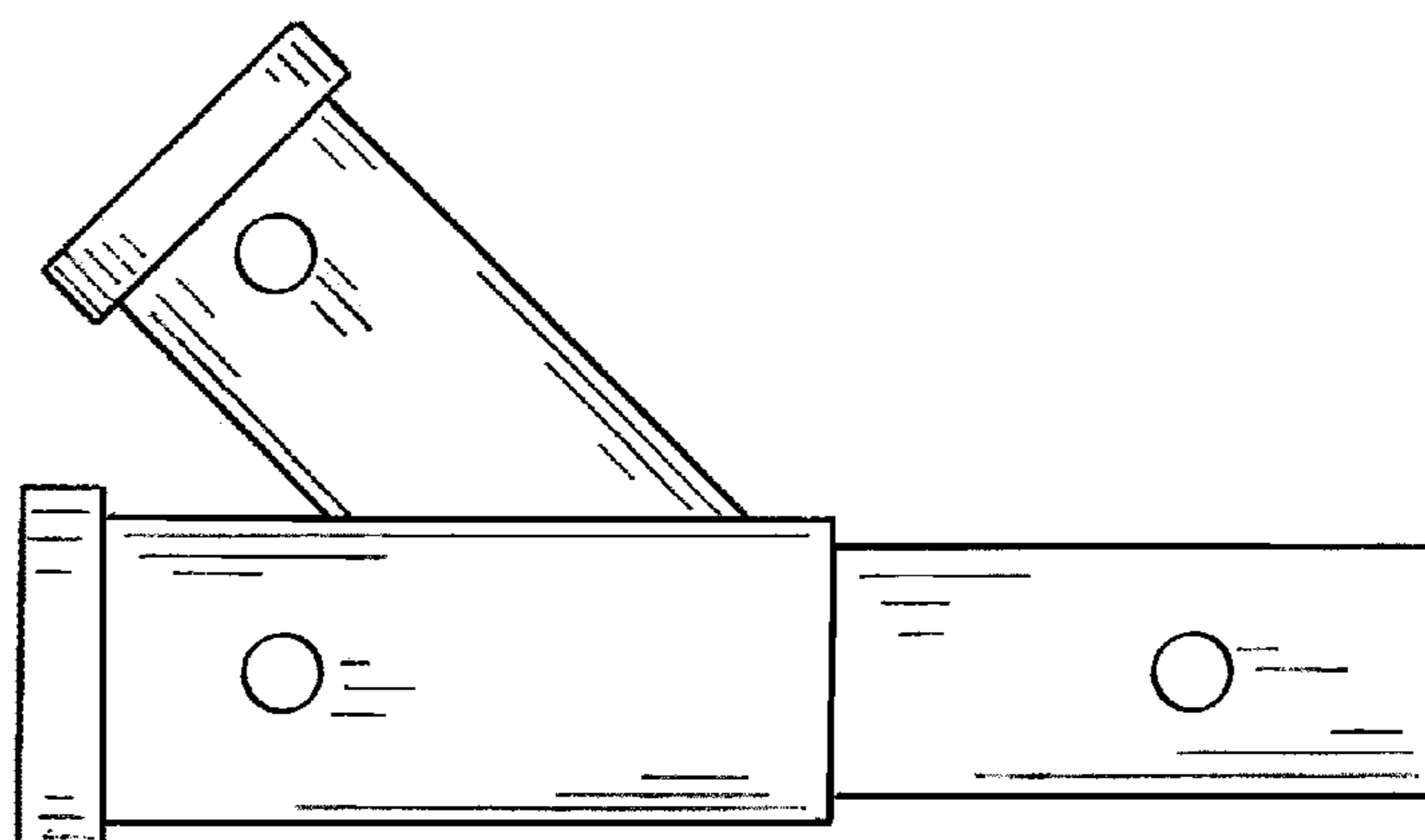


FIG. 4

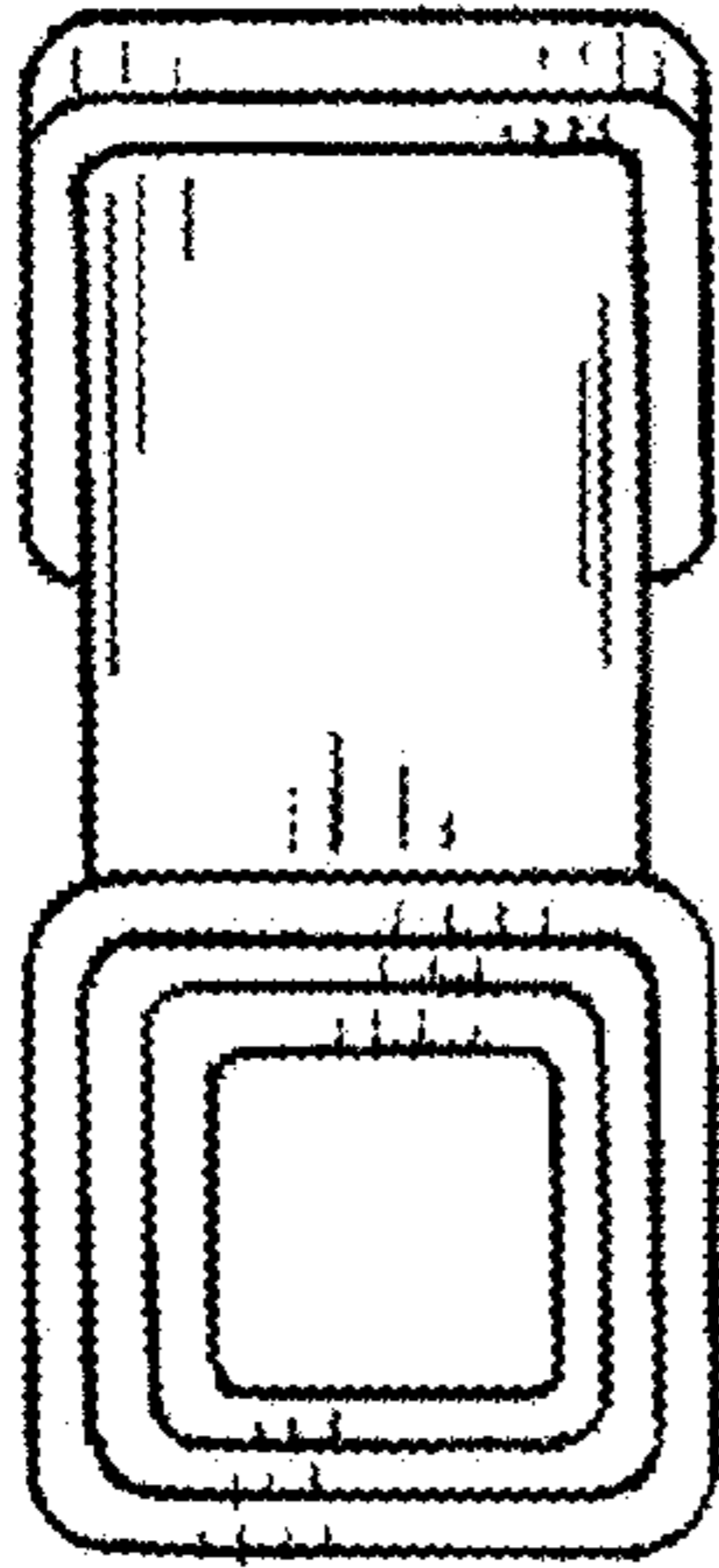


FIG. 5

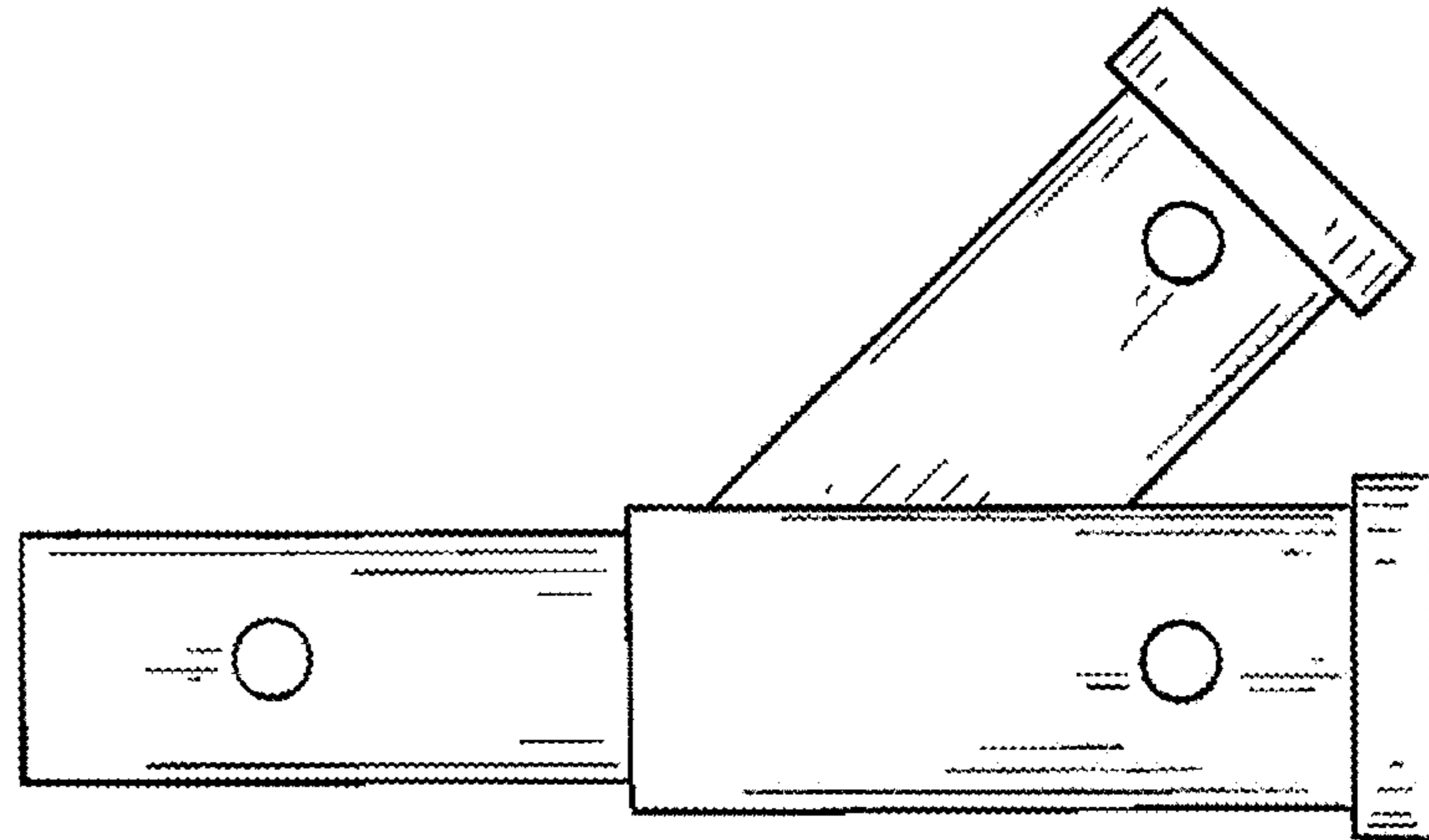


FIG. 6

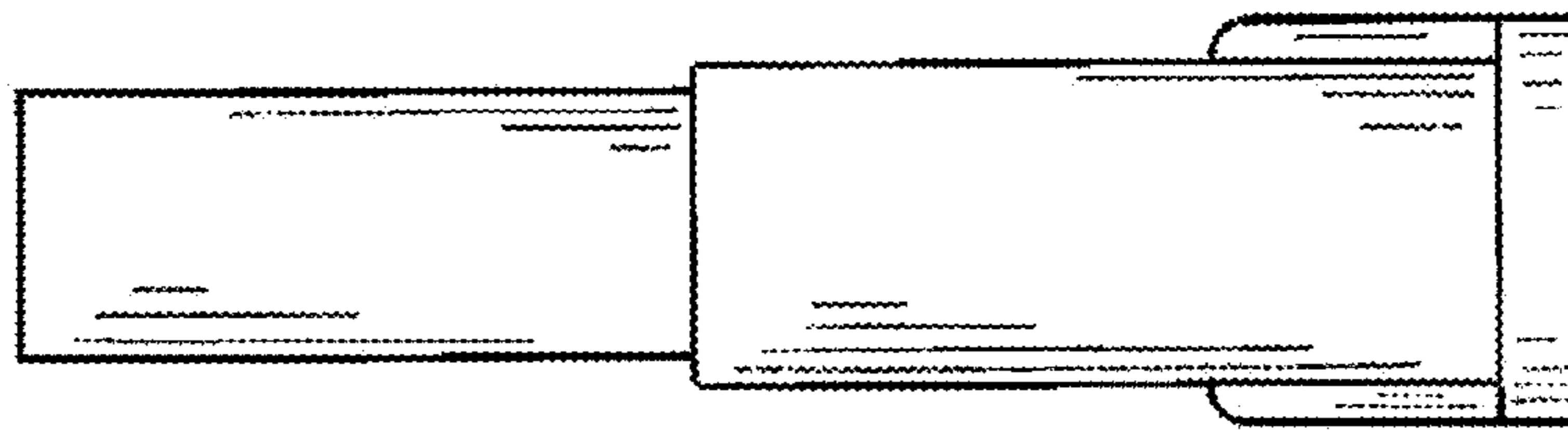


FIG. 7