



US00D709804S

(12) **United States Design Patent**
Provost

(10) **Patent No.:** **US D709,804 S**
(45) **Date of Patent:** **** Jul. 29, 2014**

- (54) **ADJUSTABLE HITCH**
- (71) Applicant: **Mark Provost**, New Iberia, LA (US)
- (72) Inventor: **Mark Provost**, New Iberia, LA (US)
- (**) Term: **14 Years**
- (21) Appl. No.: **29/464,897**
- (22) Filed: **Aug. 22, 2013**
- (51) **LOC (10) Cl.** **12-16**
- (52) **U.S. Cl.**
USPC **D12/162**
- (58) **Field of Classification Search**
USPC D12/162, 159, 161, 160; 56/DIG. 14;
37/399; 280/406.2, 407, 407.1, 408,
280/411.1, 416.1, 416.2, 416.3, 418, 418.1,
280/433, 434, 435, 441.1, 441.2, 455.1,
280/456.1, 480, 493, 504, 507, 508;
224/42.11, 42.12, 42.14, 42.26, 400,
224/401, 412, 413, 488, 494, 500-501, 519,
224/537; 135/88.05; 150/166
See application file for complete search history.

7,338,064	B1 *	3/2008	Williams	280/491.3
7,819,128	B2 *	10/2010	Clark et al.	135/88.08
2007/0102898	A1 *	5/2007	Schulze	280/507
2007/0145716	A1 *	6/2007	Schulze	280/483
2011/0156369	A1 *	6/2011	Schroder	280/491.1

* cited by examiner

Primary Examiner — Katrina A Betton
(74) *Attorney, Agent, or Firm* — Greg R. Mier

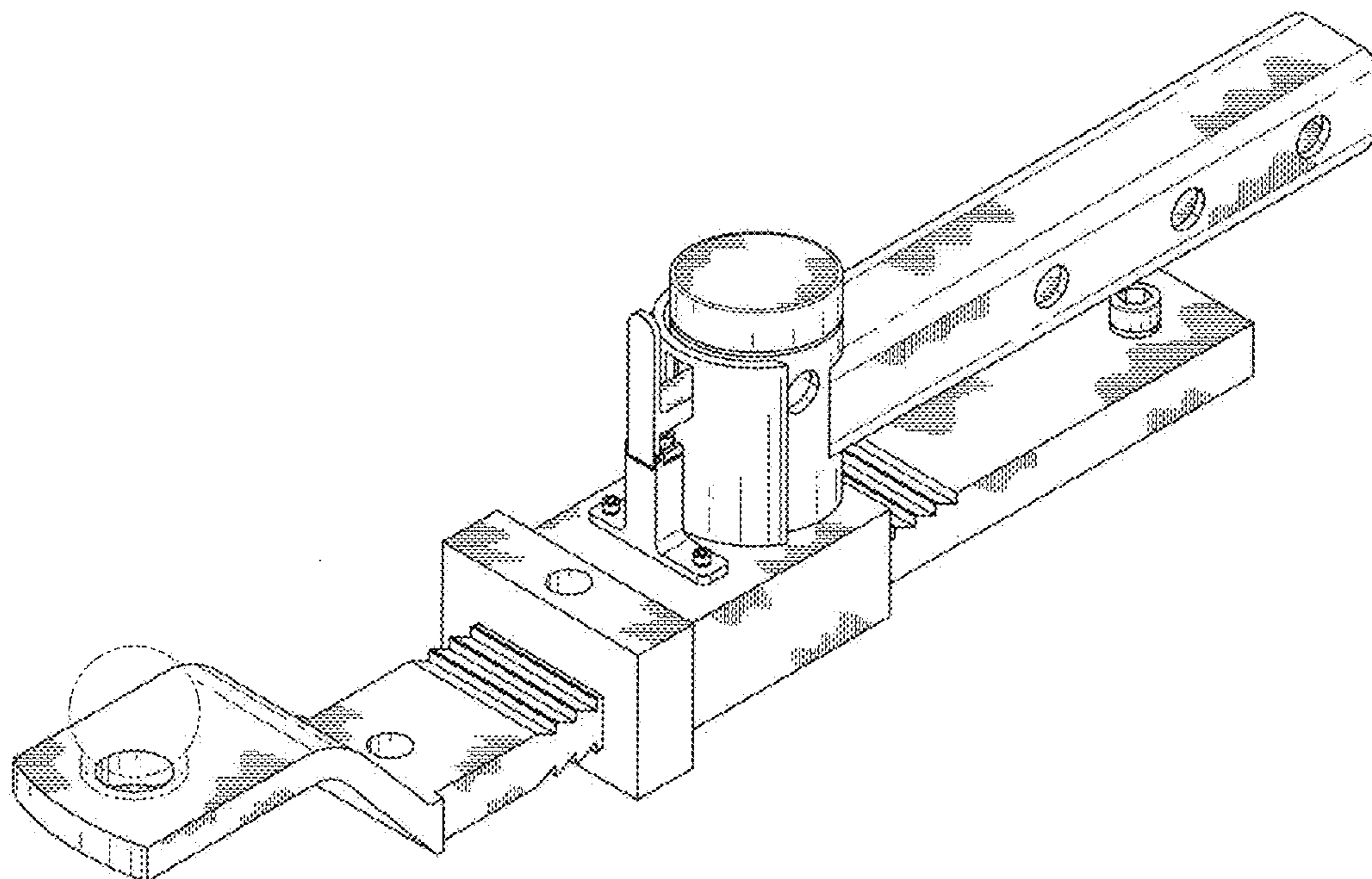
(57) **CLAIM**
The ornamental design for an adjustable hitch, as shown and described.

DESCRIPTION

FIG. 1 is a perspective view of the adjustable hitch showing my new design.
 FIG. 2 is a top view of the adjustable hitch showing my new design.
 FIG. 3 is a side view of the adjustable hitch showing my new design.
 FIG. 4 is another side view of the adjustable hitch showing my new design.
 FIG. 5 is a bottom view of the adjustable hitch showing my new design.
 FIG. 6 is an end view of the adjustable hitch showing my new design; and,
 FIG. 7 is another end view of the adjustable hitch showing my new design.
 In the drawings, the broken lines in FIGS. 1, 3 and 4 depict a hitch ball and form no part of the claimed design.

- (56) **References Cited**
U.S. PATENT DOCUMENTS
D358,570 S * 5/1995 Doherty et al. D12/162
6,634,667 B1 * 10/2003 Tozer 280/514
6,712,381 B1 * 3/2004 Moss 280/491.1
6,745,926 B2 * 6/2004 Chimenti 224/509
7,044,493 B1 * 5/2006 Wilson 280/489

1 Claim, 4 Drawing Sheets



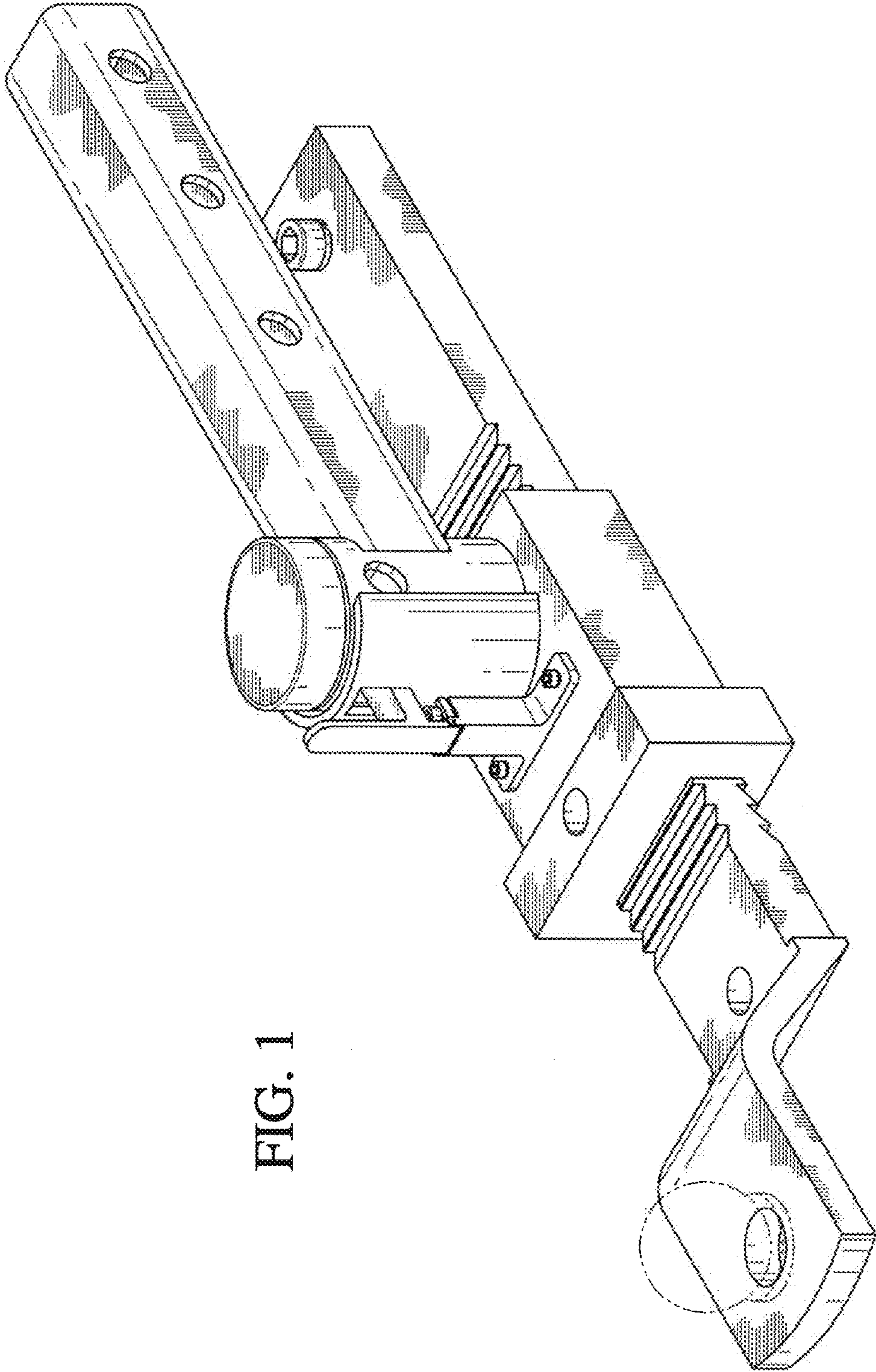


FIG. 1

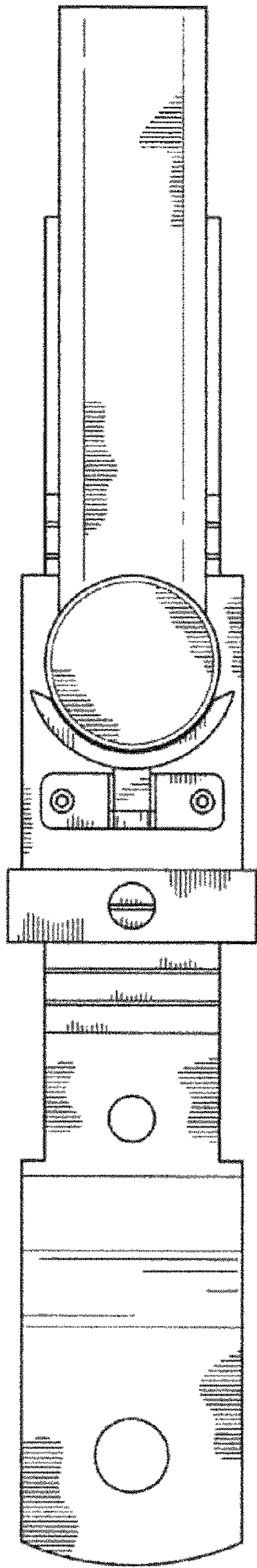


FIG. 2

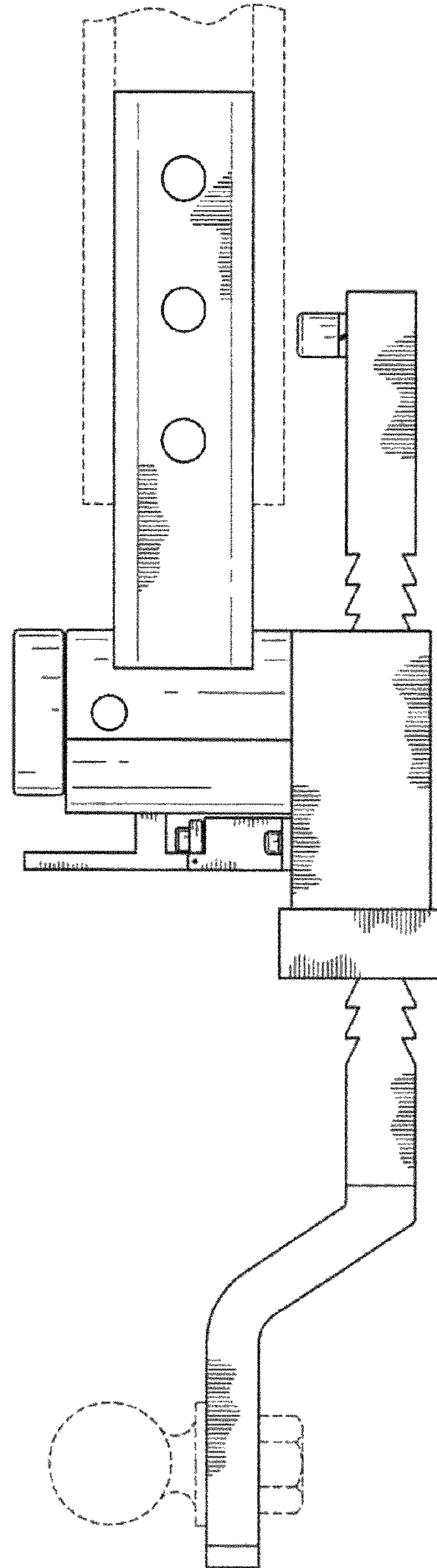


FIG. 3

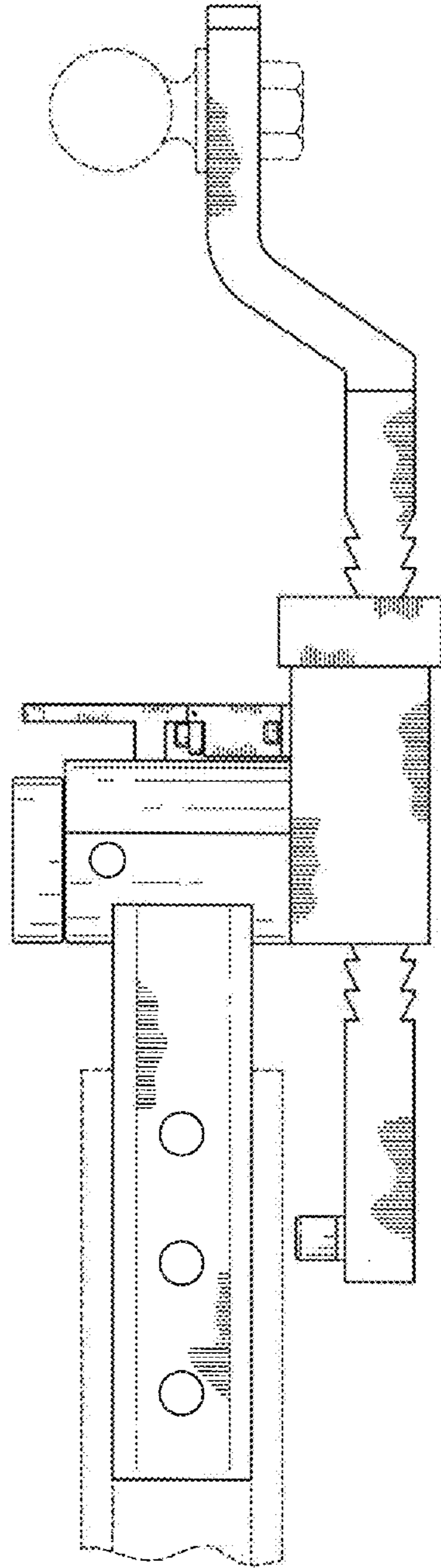


FIG. 4

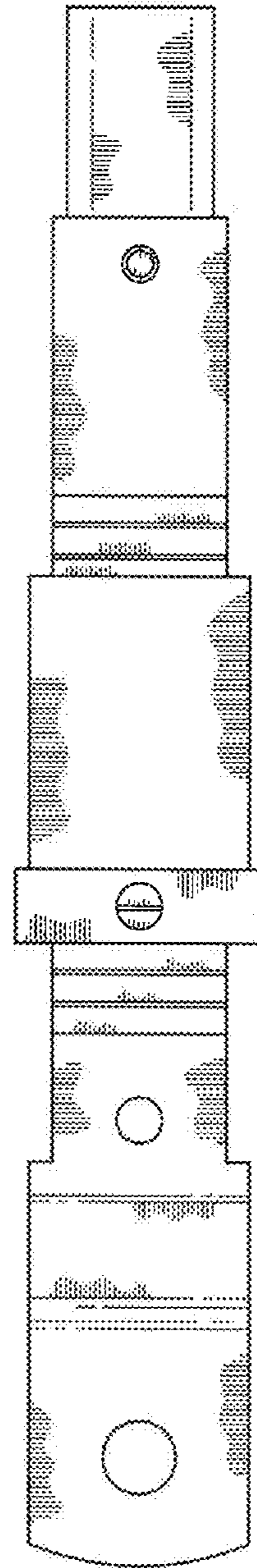


FIG. 5

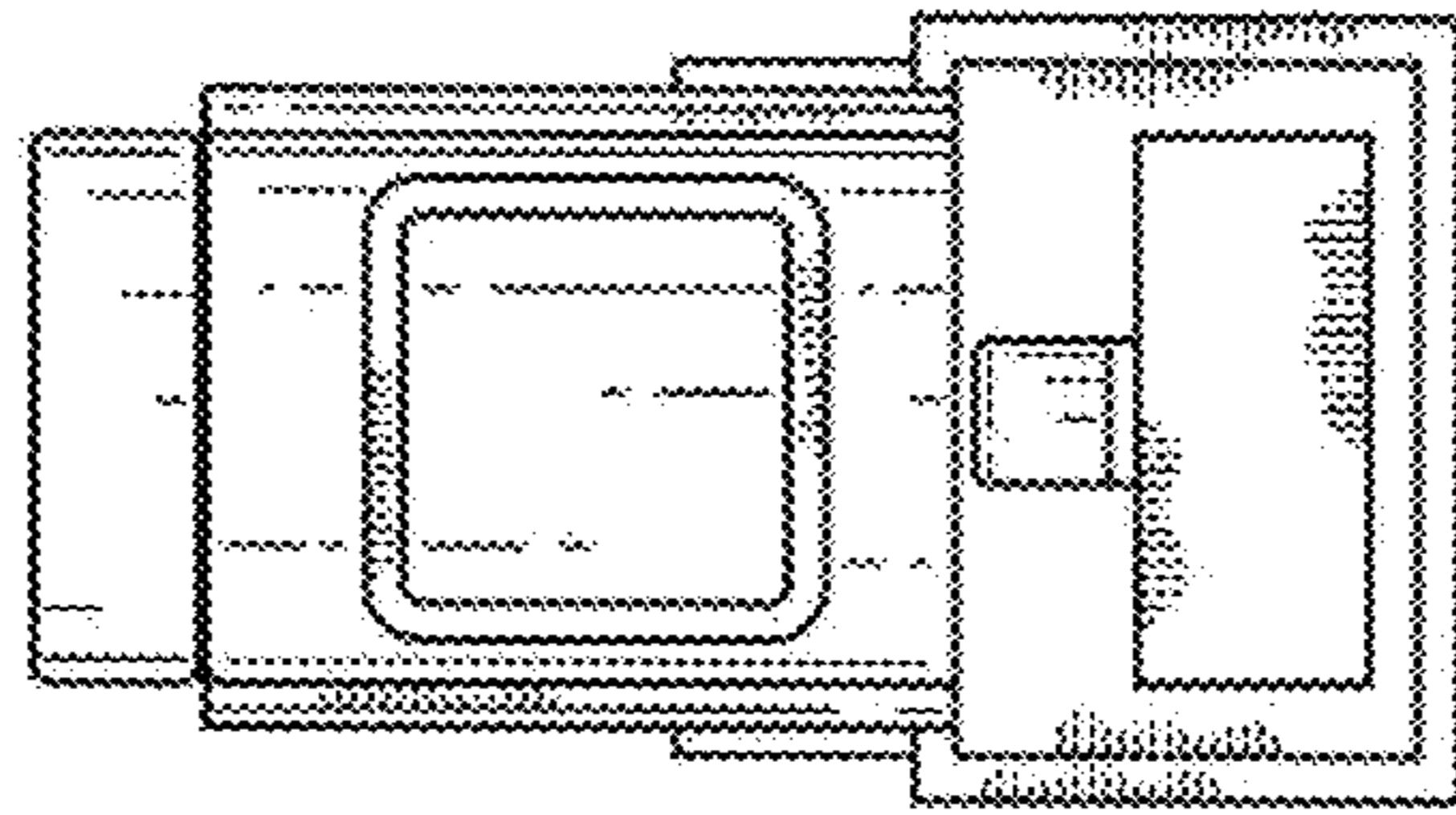


FIG. 7

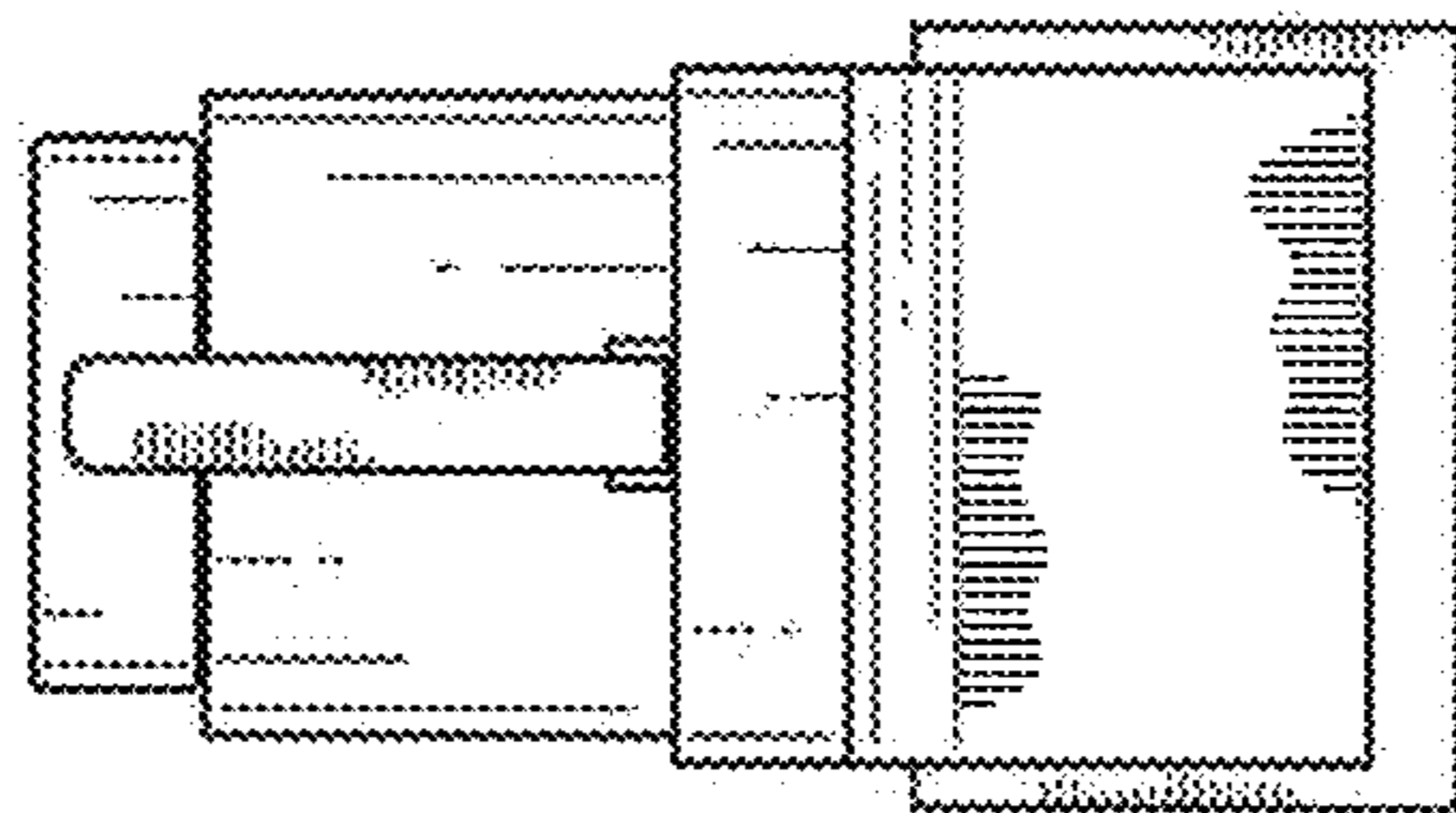


FIG. 6