



US00D709802S

(12) **United States Design Patent**
Miyata

(10) **Patent No.:** **US D709,802 S**
(45) **Date of Patent:** **** Jul. 29, 2014**

(54) **SEAT DAMPER**

(71) Applicant: **Showa Corporation**, Gyoda (JP)

(72) Inventor: **Hiroyuki Miyata**, Hukuroi (JP)

(73) Assignee: **Showa Corporation**, Saitama (JP)

(**) Term: **14 Years**

(21) Appl. No.: **29/445,159**

(22) Filed: **Feb. 8, 2013**

(51) **LOC (10) Cl.** **12-11**

(52) **U.S. Cl.**

USPC **D12/119**

(58) **Field of Classification Search**

CPC B62J 1/02; B62J 1/04; B62J 1/06;
B62J 2001/085; B62K 25/286; B62K 25/28;
B62K 3/10; F16F 9/003; B60G 99/002
USPC D12/119, 107, 114, 117, 118, 159, 223,
D12/297, 307, 310, 400, 416; D6/356, 702,
D6/708.17, 716.7, 718.31; D8/400-499,
D8/51, 349, 354, 373-375, 382, 387,
D8/394-396, 398; D14/483; 267/132, 221;
280/283, 286

See application file for complete search history.

(56) **References Cited**

U.S. PATENT DOCUMENTS

93,953	A *	8/1869	Berkeley	296/35.3
339,762	A *	4/1886	Goewey	267/166
606,455	A *	6/1898	Glennon	267/132
975,827	A *	11/1910	Busch	267/132
1,648,055	A *	11/1927	Mesinger	297/211
2,441,629	A *	5/1948	Hahn	267/221
2,680,472	A *	6/1954	Hempe, Jr.	248/565
3,102,706	A *	9/1963	Goldsmith	248/542

D246,217	S *	11/1977	Doerner	D6/500
D262,959	S *	2/1982	Cowan	D12/159
D277,952	S *	3/1985	Nakano et al.	D12/159
D279,370	S *	6/1985	Ballew	D12/159
D302,672	S *	8/1989	Ueno	D12/159
D328,843	S *	8/1992	Marzano	D8/70
5,236,170	A *	8/1993	Johnsen	248/578
5,590,869	A *	1/1997	Cheng	267/132

(Continued)

FOREIGN PATENT DOCUMENTS

CN 302501843 * 7/2013

OTHER PUBLICATIONS

Modifies Rear Showa Shock (Super Sport Shock). ducati.ms/forums [online] p. 1 of 1. Posted Jul. 25, 2007[retrieved on Jul. 25, 2014]. Retrieved from Internet: <URL <http://www.ducati.ms/forums/57-supersport/26463-modified-rear-showa-shock.html> >.*

(Continued)

Primary Examiner — Susan Bennett Hattan

Assistant Examiner — Marie Fast Horse

(74) *Attorney, Agent, or Firm* — Babcock IP, PLLC

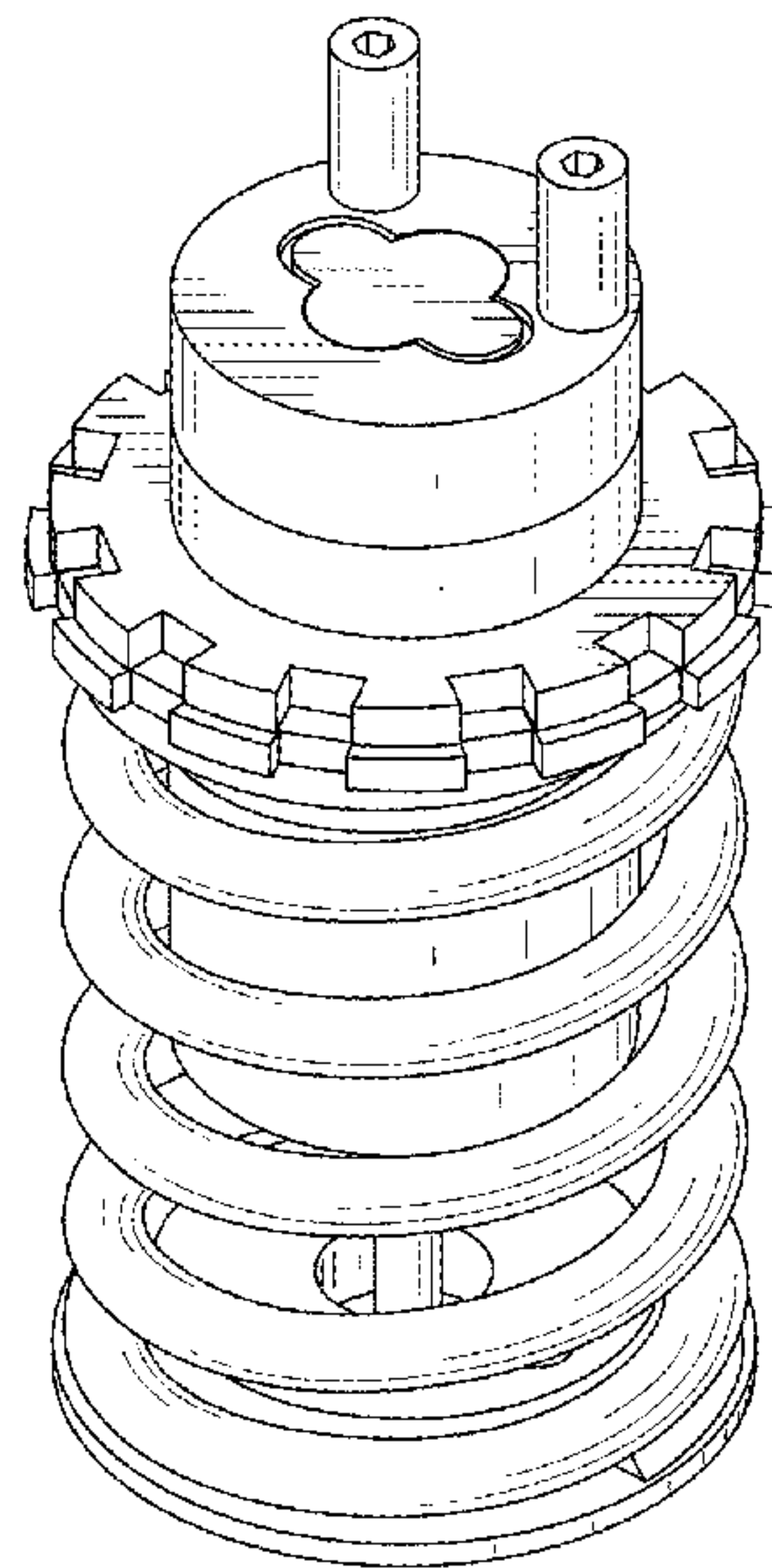
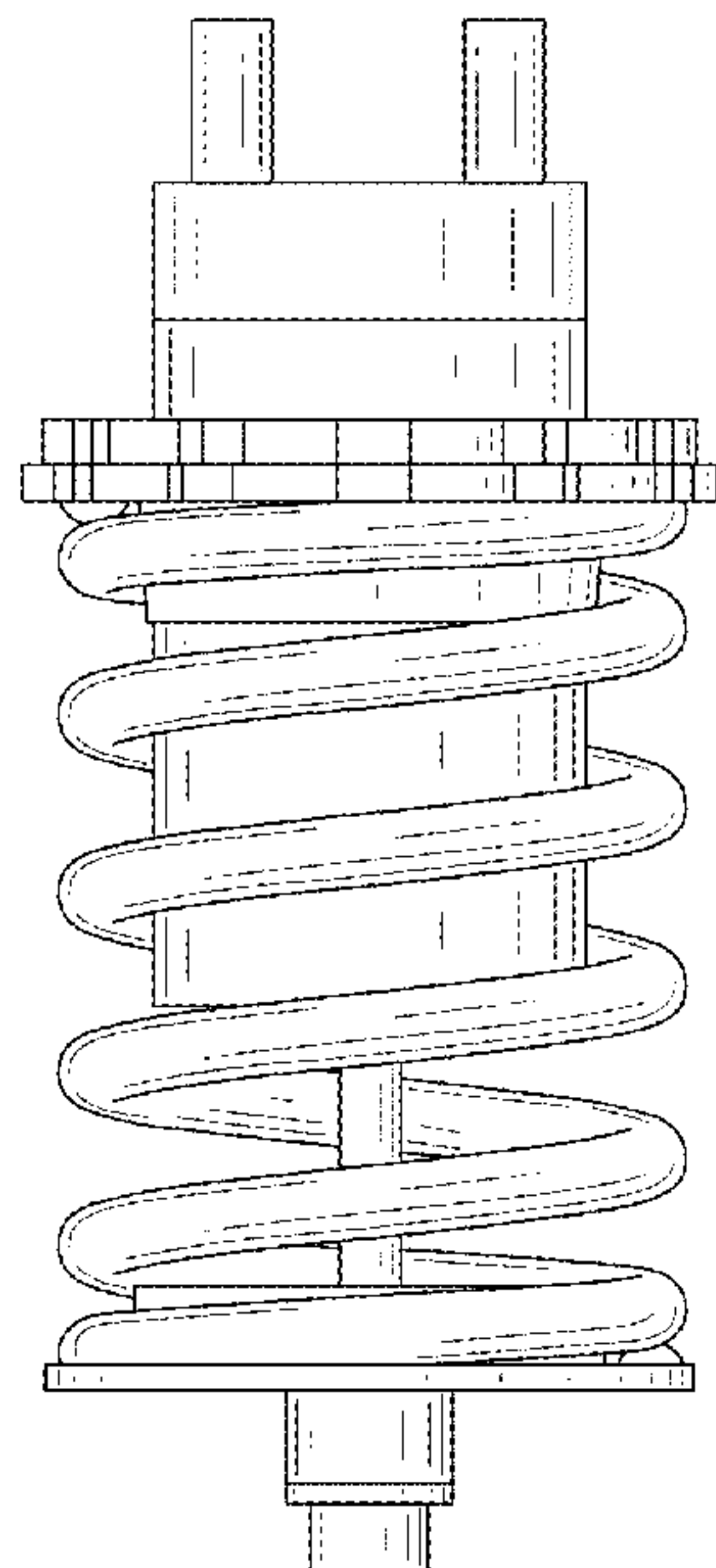
(57) **CLAIM**

The ornamental design for a seat damper, as shown.

DESCRIPTION

FIG. 1 is a front view of the seat damper.
FIG. 2 is a back view of the seat damper.
FIG. 3 is a right side view of the seat damper.
FIG. 4 is a left side view of the seat damper.
FIG. 5 is a top side view of the seat damper.
FIG. 6 is a bottom side view of the seat damper; and,
FIG. 7 is a perspective view of the seat damper.

1 Claim, 4 Drawing Sheets



(56)

References Cited

U.S. PATENT DOCUMENTS

5,711,514 A * 1/1998 Lu 267/221
 D390,506 S * 2/1998 Shiau D12/111
 5,716,067 A * 2/1998 van der Knaap
 et al. 280/93.511
 D391,844 S * 3/1998 Ropponen et al. D8/382
 D398,269 S * 9/1998 Sennuck et al. D12/119
 5,803,443 A * 9/1998 Chang 267/221
 5,911,430 A * 6/1999 Wuschke 280/283
 6,095,538 A * 8/2000 Maret 280/220
 6,142,268 A * 11/2000 Kuo-An 188/274
 D434,707 S * 12/2000 Bauer D12/159
 D491,393 S * 6/2004 Kelterborn D6/496
 7,144,029 B1 * 12/2006 Heady 280/288.4
 D589,284 S * 3/2009 Lenterman D6/495
 7,607,522 B2 * 10/2009 Nygren et al. 188/319.1
 7,661,663 B2 * 2/2010 Fritz et al. 267/221
 D624,398 S * 9/2010 Ham D8/499
 D661,626 S * 6/2012 Aymar D12/159
 D670,303 S * 11/2012 Shimozaki D14/483

8,678,401 B2 * 3/2014 Wohlfarth 280/6.157
 2002/0149170 A1 * 10/2002 Chen 280/283
 2003/0042702 A1 * 3/2003 Chen 280/283
 2004/0195745 A1 * 10/2004 Oliver et al. 267/221
 2006/0137947 A1 * 6/2006 Fujita 188/297
 2010/0219572 A1 * 9/2010 Back 267/221
 2011/0017559 A1 * 1/2011 Sintorn 188/314
 2013/0106038 A1 * 5/2013 Miyamoto et al. 267/286
 2013/0234378 A1 * 9/2013 Ericksen et al. 267/221
 2013/0277898 A1 * 10/2013 Vartolo et al. 267/66
 2013/0285300 A1 * 10/2013 Shimasaki et al. 267/221
 2014/0001684 A1 * 1/2014 Miyata 267/132
 2014/0084556 A1 * 3/2014 Kasuga et al. 280/5.514
 2014/0088829 A1 * 3/2014 Kasuga et al. 701/37

OTHER PUBLICATIONS

Ohlins Suzuki Rear Shock (2003 Suzuki SV650S). texas.typepad.com[online] p. 1 of 1. Posted Unknown [retrieved on May 5, 2014]. Retrieved from Internet: <URL <http://texas.typepad.com/photos/sv650s/ohlins46prcl.html> >.*

* cited by examiner

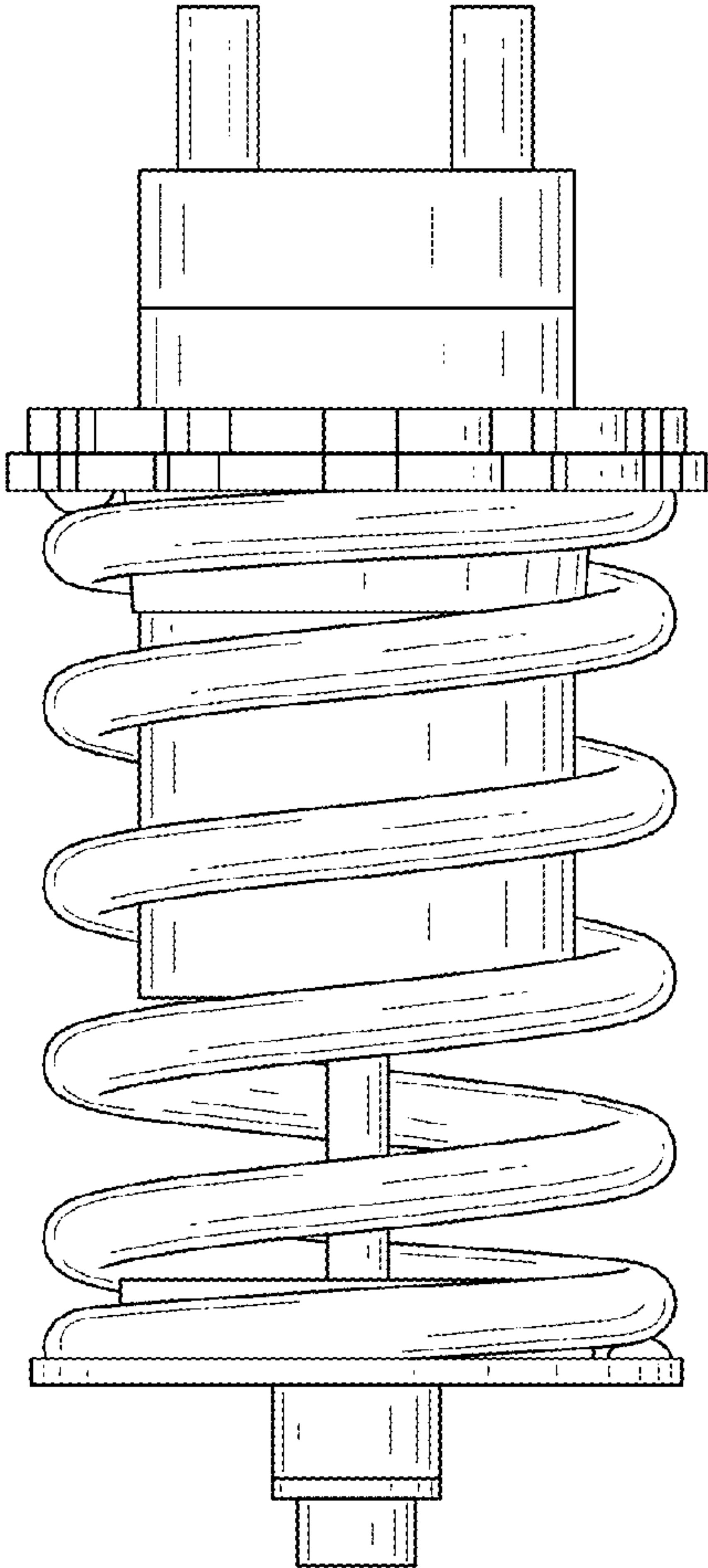


FIG. 1

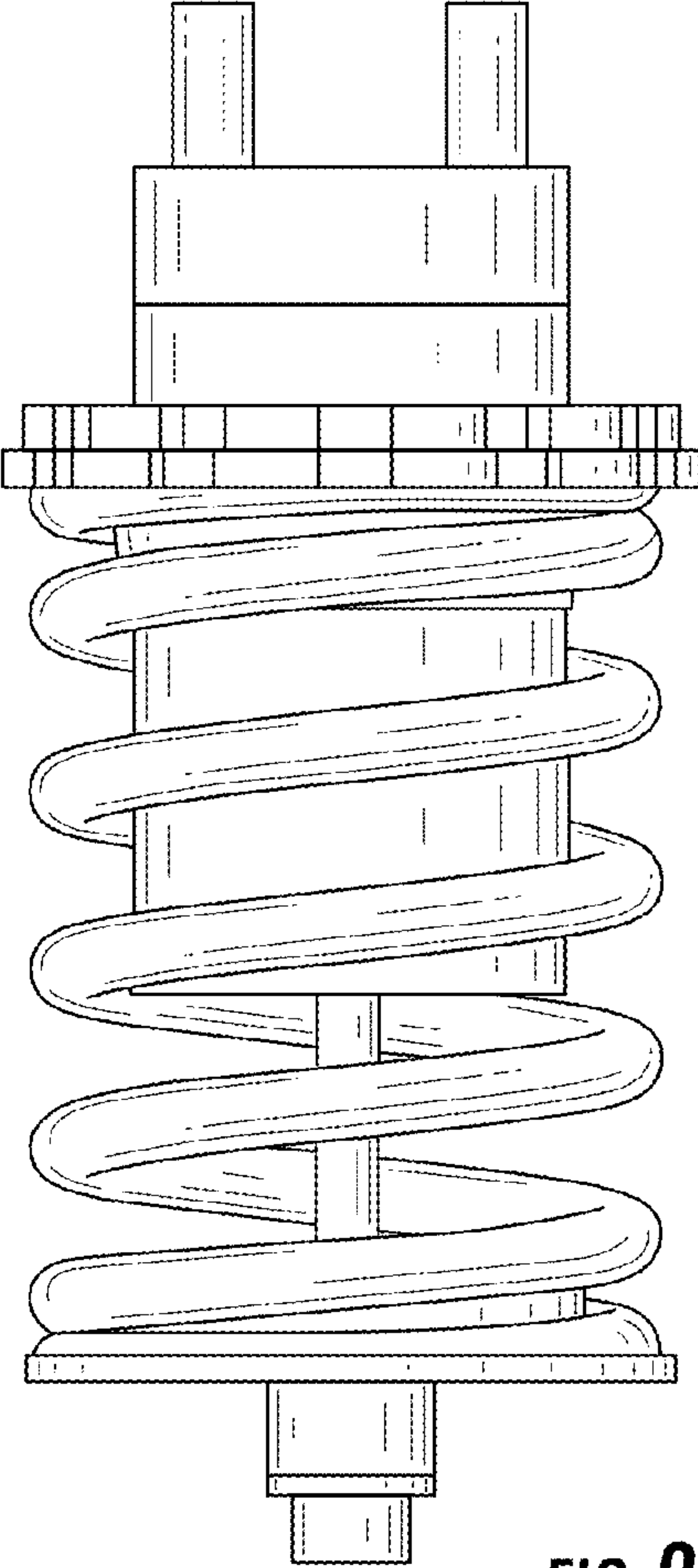


FIG. 2

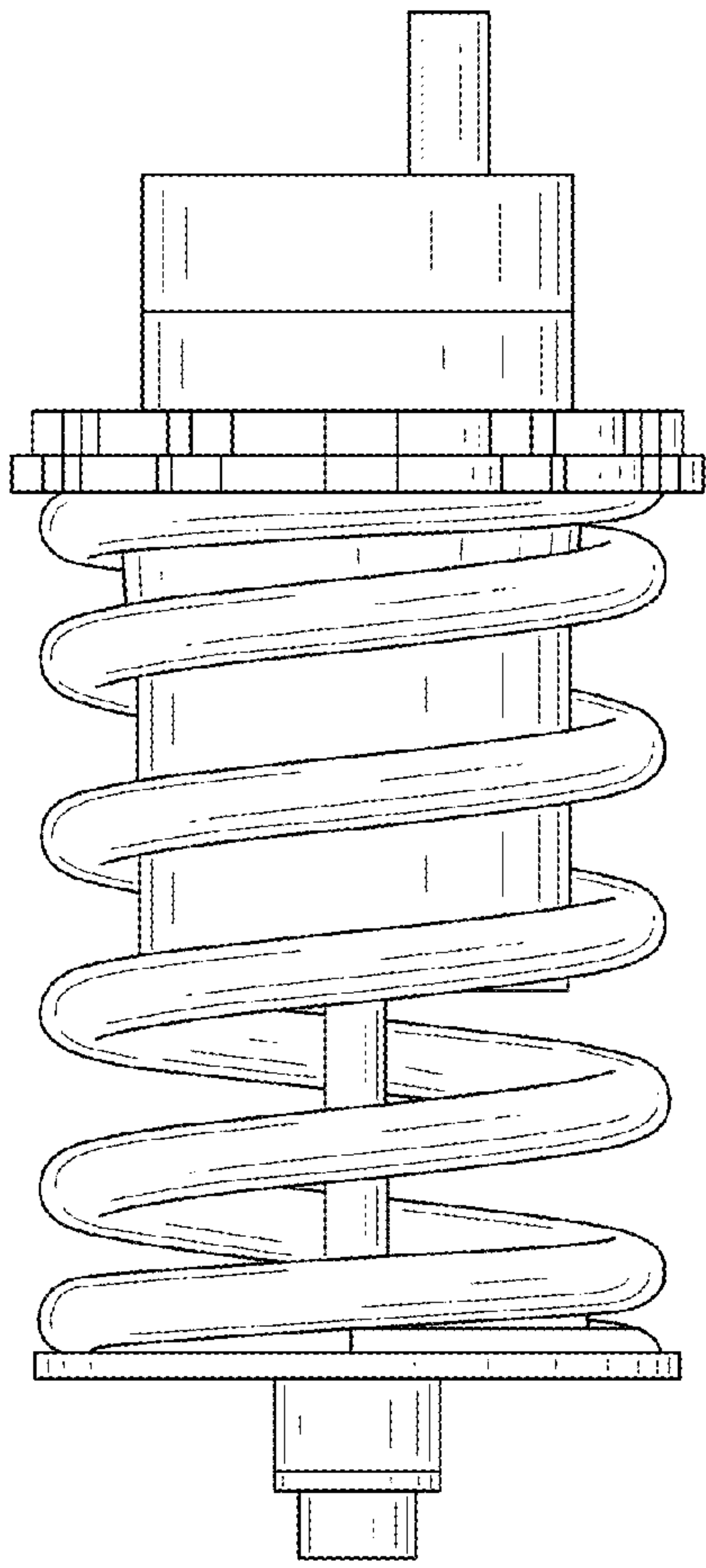


FIG. 3

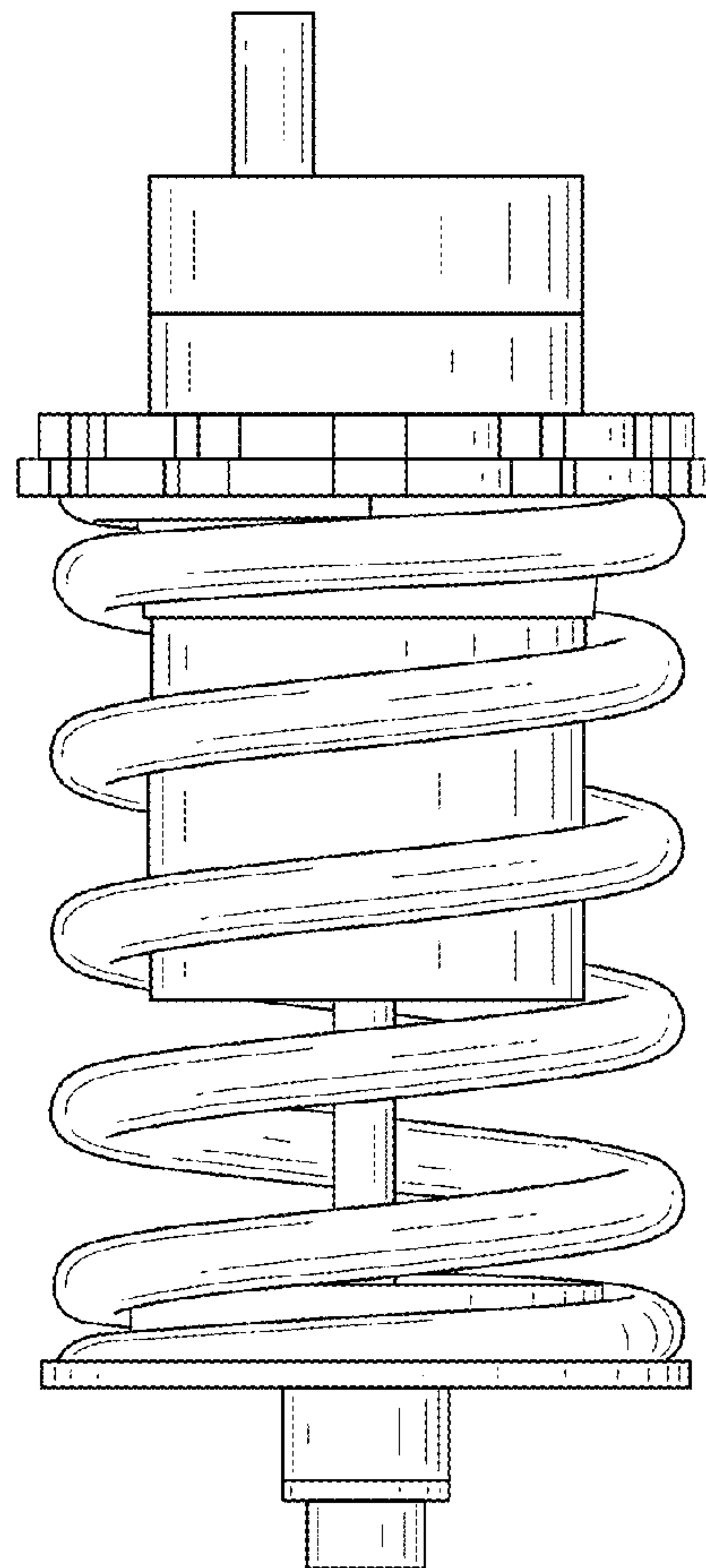


FIG. 4

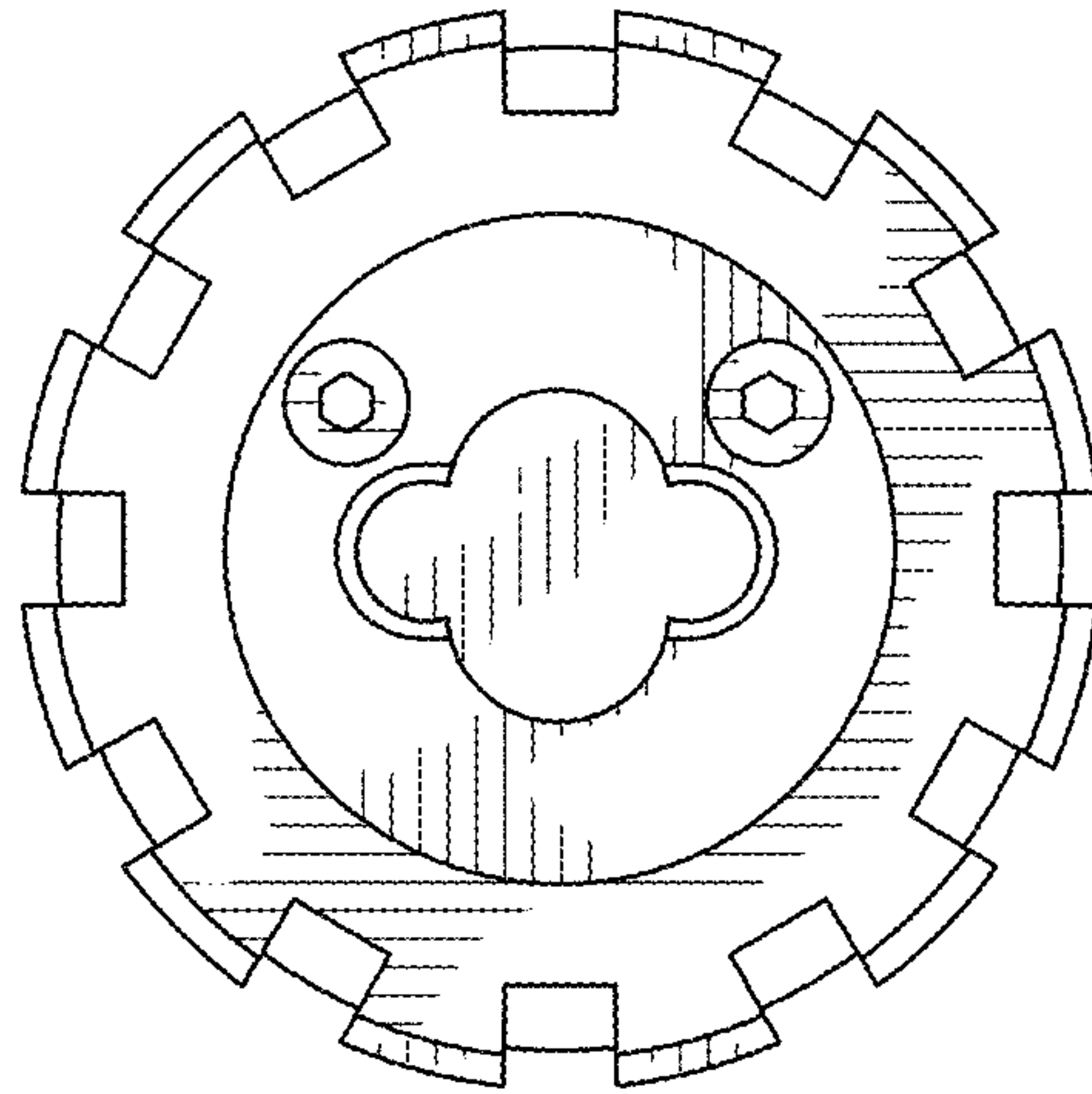


FIG. 5

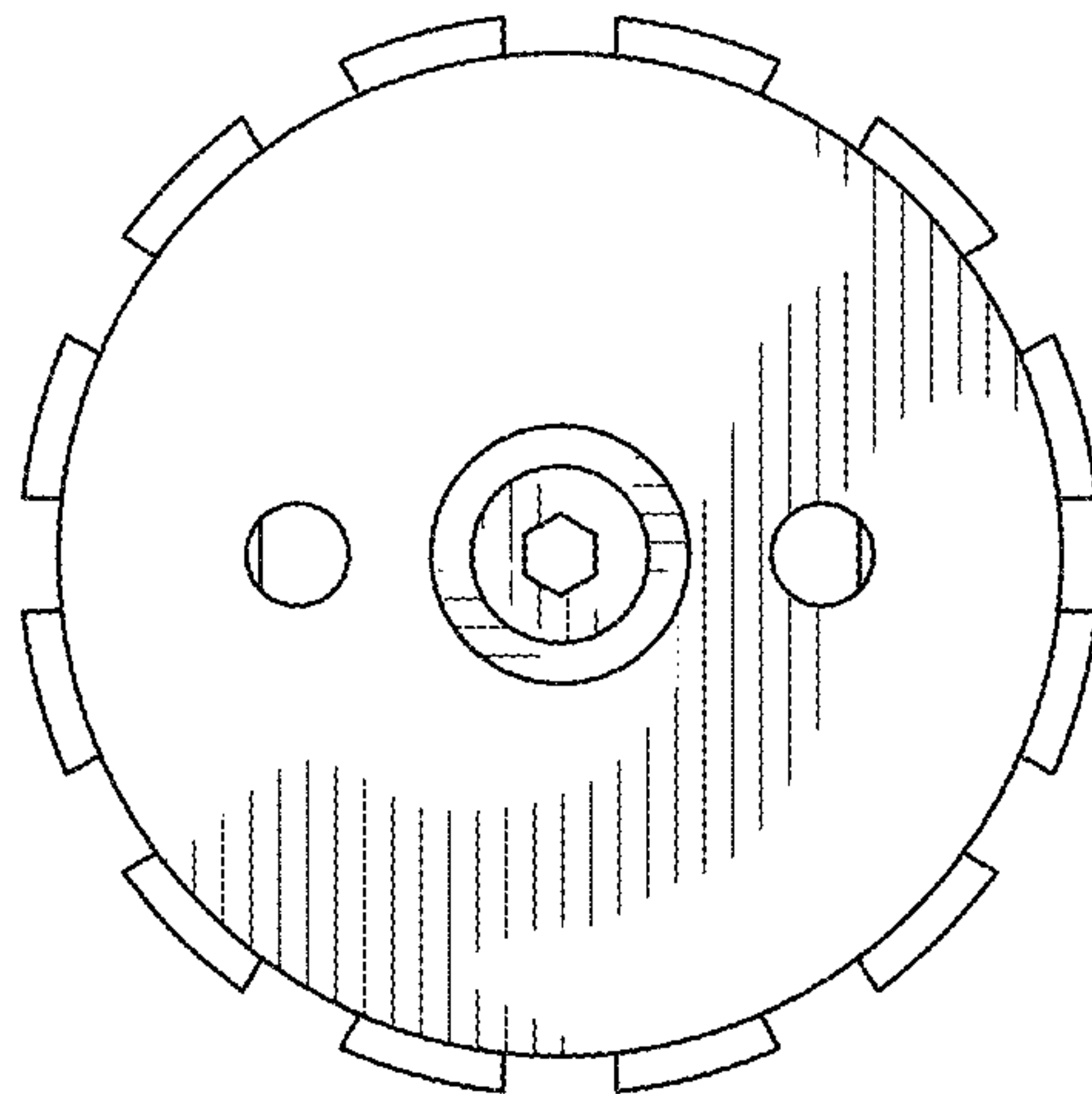


FIG. 6

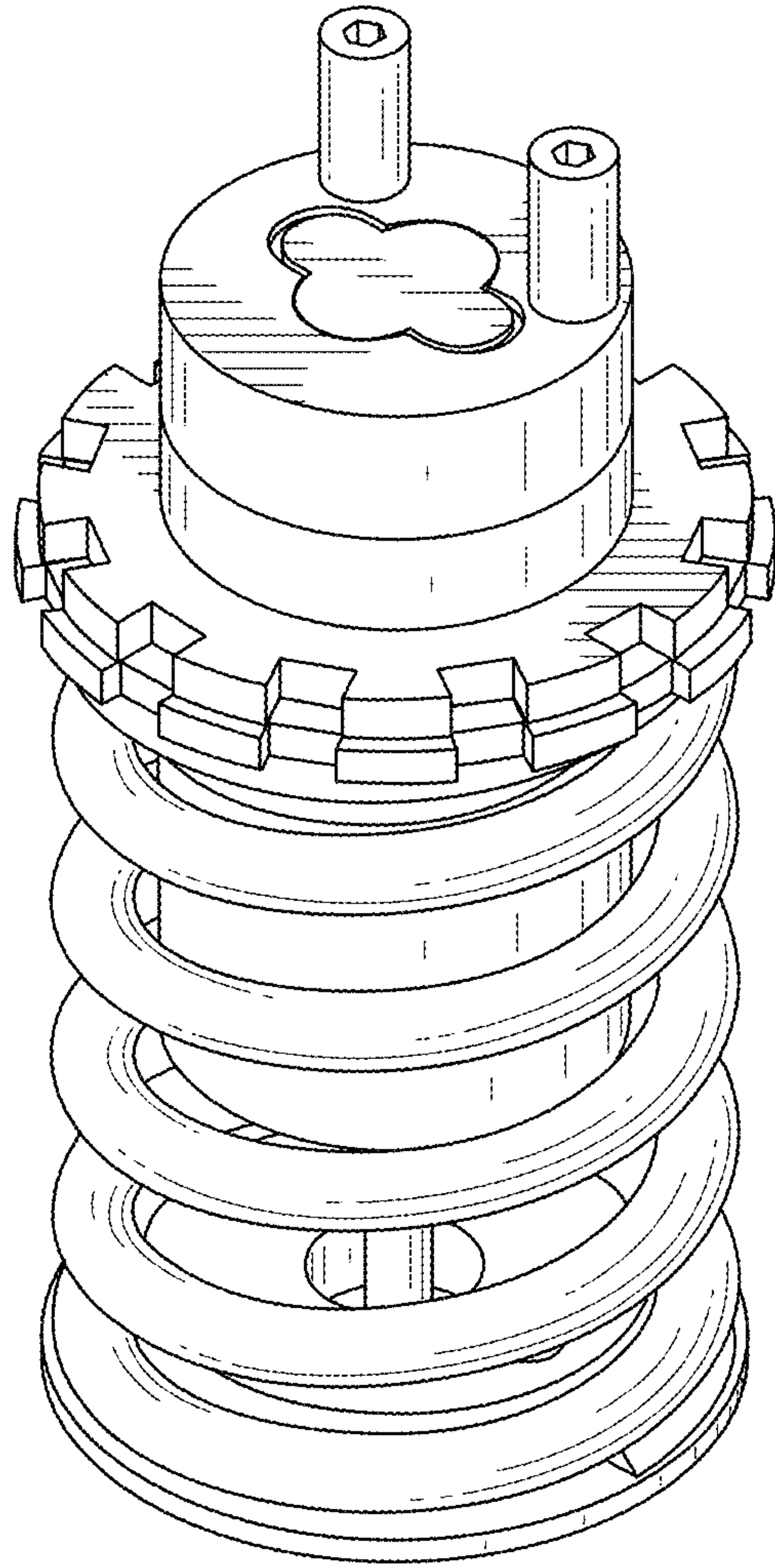


FIG. 7