



US00D709800S

(12) **United States Design Patent**
Cartabiano et al.

(10) **Patent No.:** **US D709,800 S**
(45) **Date of Patent:** **** Jul. 29, 2014**

(54) **MOTOR VEHICLE AND/OR TOY REPLICA THEREOF**

D666,945 S * 9/2012 Ogawa et al. D12/91
D674,726 S * 1/2013 Yamada et al. D12/91
D697,834 S * 1/2014 Okue et al. D12/91
D699,628 S * 2/2014 Kochi et al. D12/91

(71) Applicant: **Toyota Jidosha Kabushiki Kaisha,**
Toyota (JP)

OTHER PUBLICATIONS

(72) Inventors: **Ian Richard Cartabiano,** Torrance, CA (US); **Matthew Niven Sperling,** Huntington Beach, CA (US); **Takayuki Takei,** Ichinomiya (JP)

Infiniti, Infiniti JX, Autoblog, <http://www.autoblog.com/>, available on Nov. 20, 2011.

Mitsubishi, Mitsubishi RVR, "Kokusan & Yunyu SUV no Subete 2011-2012," translated "All of Domestically-produced and Imported SUV 2011-2012," ISBN-13: 978-4779612367, published Jul. 9, 2011 by Sanei Shobo.

(73) Assignee: **Toyota Jidosha Kabushiki Kaisha (JP)**

* cited by examiner

(**) Term: **14 Years**

Primary Examiner — Melody Brown

(21) Appl. No.: **29/449,362**

(74) *Attorney, Agent, or Firm* — SAIDMAN DesignLaw Group

(22) Filed: **Mar. 15, 2013**

(51) **LOC (10) Cl.** **12-08**

(52) **U.S. Cl.**
USPC **D12/91**

(58) **Field of Classification Search**
USPC D12/86, 90-92, 88; D21/424, 433, 434;
296/181.1, 181.5

See application file for complete search history.

(57) **CLAIM**

The ornamental design for a motor vehicle and/or toy replica thereof, as shown and described.

DESCRIPTION

FIG. 1 is a front, perspective view of a motor vehicle and/or toy replica thereof showing our new design;
FIG. 2 is a rear, perspective view thereof;
FIG. 3 is a front view thereof;
FIG. 4 is a rear view thereof;
FIG. 5 is a top view thereof; and,
FIG. 6 is a right side view thereof, the left side view being a mirror image.

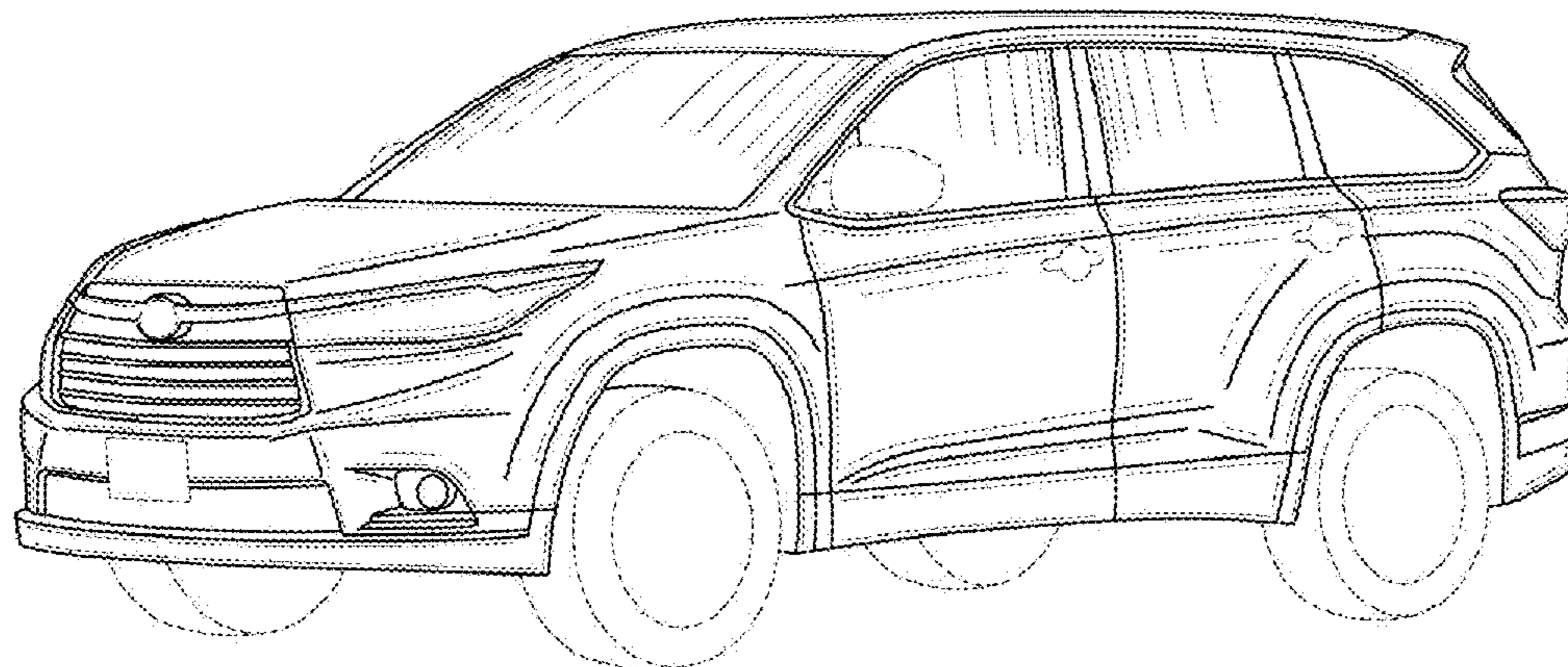
The broken lines illustrate environmental structure and form no part of the claimed design.

(56) **References Cited**

U.S. PATENT DOCUMENTS

D597,446 S * 8/2009 Ikeda et al. D12/91
D604,670 S * 11/2009 Nagura et al. D12/91
D619,500 S * 7/2010 Hsu et al. D12/91
D630,554 S * 1/2011 Kim D12/91
D633,823 S * 3/2011 Matei et al. D12/91
D647,004 S * 10/2011 Nemoto D12/91
D657,715 S * 4/2012 Hakamata et al. D12/91

1 Claim, 3 Drawing Sheets



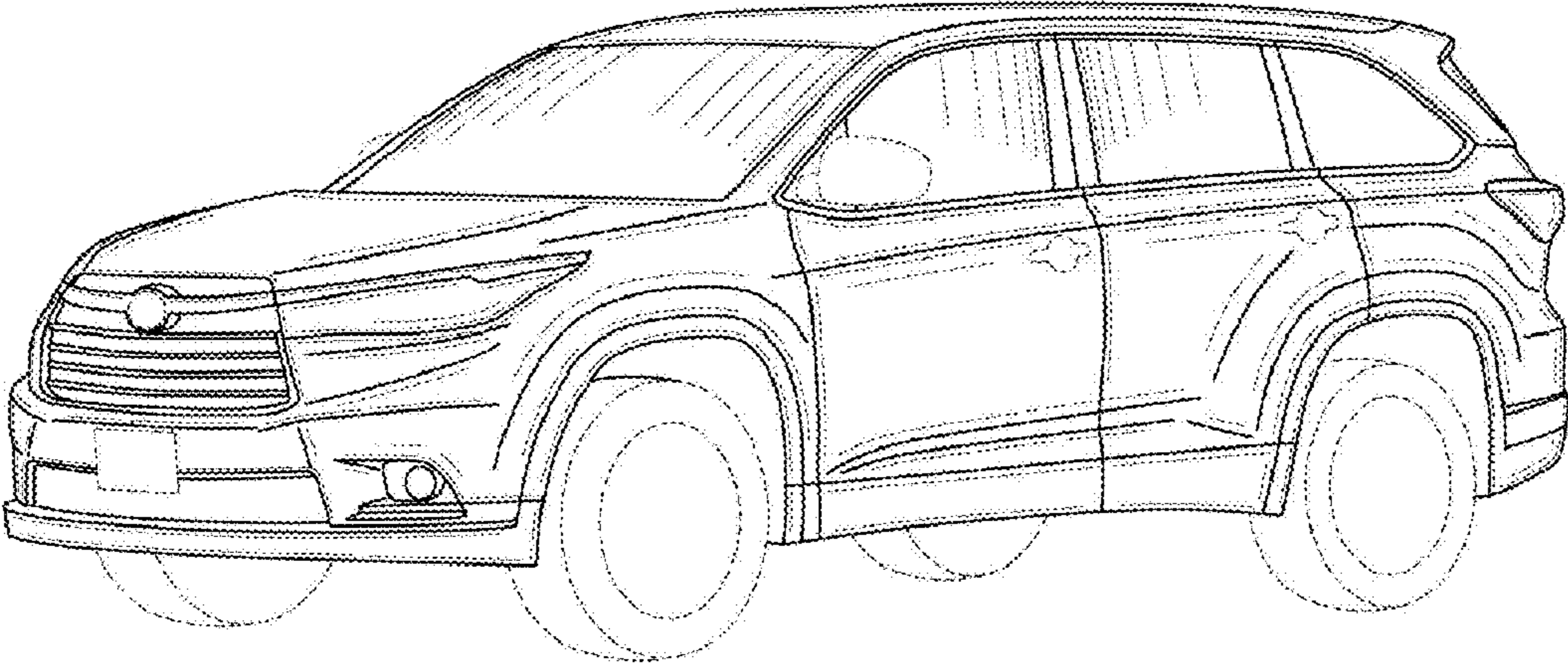


FIG. 1

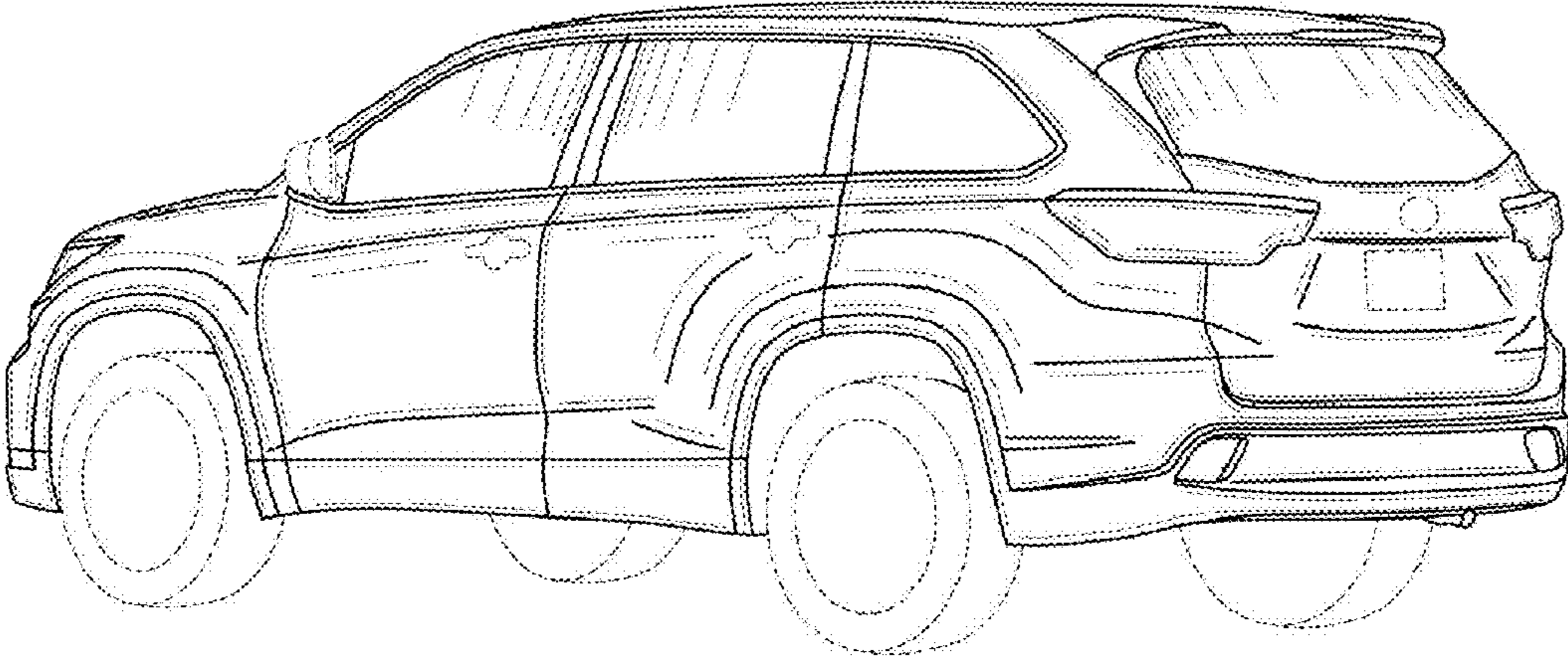


FIG. 2

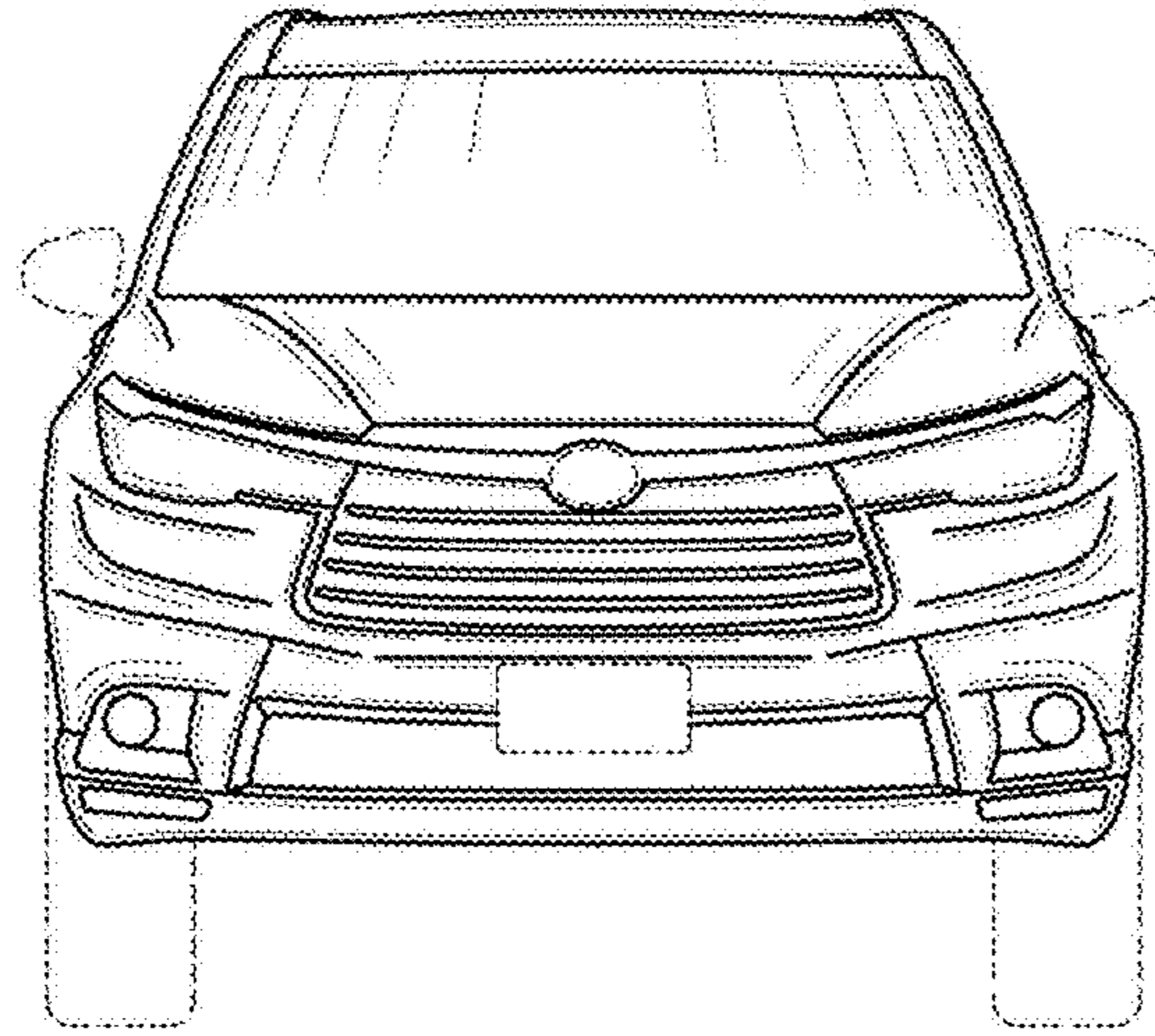


FIG. 3

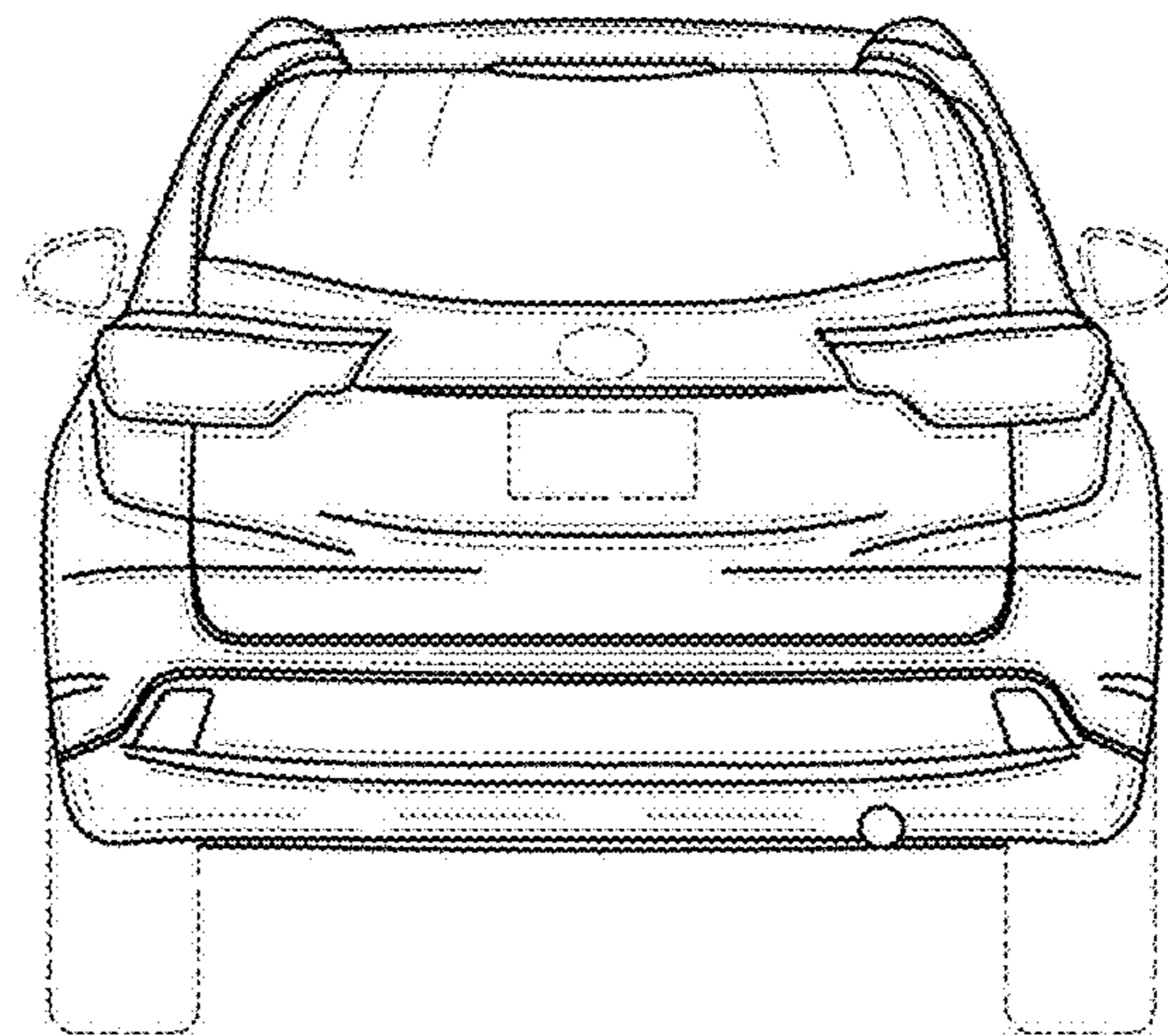


FIG. 4

FIG. 5

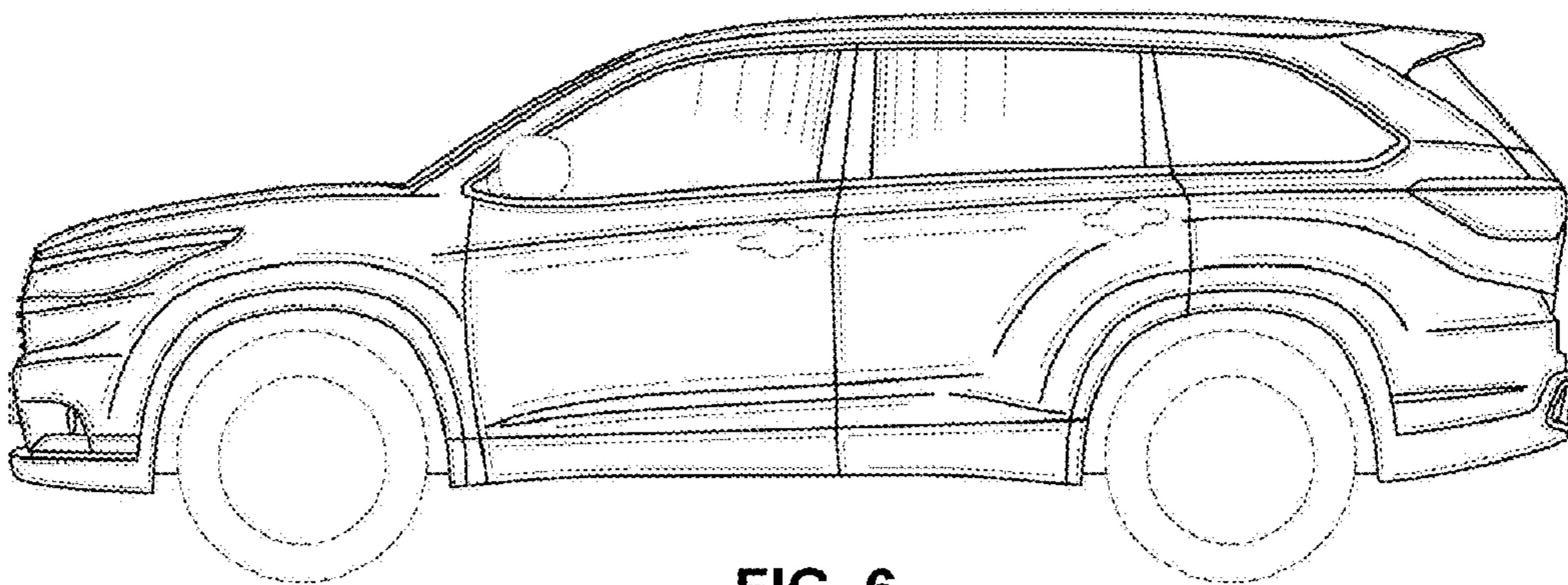
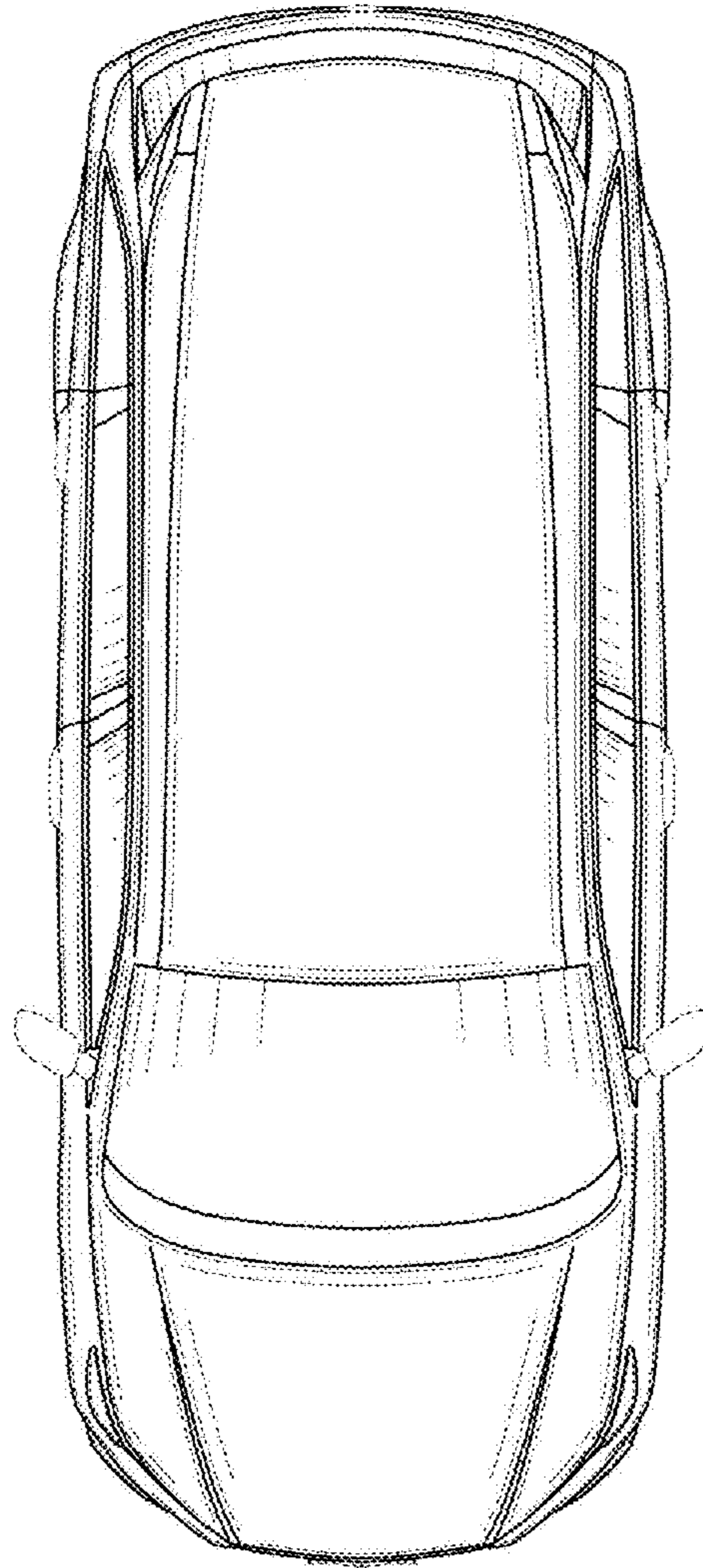


FIG. 6