



US00D709798S

(12) **United States Design Patent**
Matsumura

(10) **Patent No.:** **US D709,798 S**
(45) **Date of Patent:** **** Jul. 29, 2014**

(54) **LOADING PLATFORM FOR UTILITY VEHICLES**

(56) **References Cited**

U.S. PATENT DOCUMENTS

(71) Applicant: **Kawasaki Jukogyo Kabushiki Kaisha,**
Hyogo (JP)

D675,960 S * 2/2013 Hashimoto et al. D12/87
D694,668 S * 12/2013 Li et al. D12/14
D699,627 S * 2/2014 Tang D12/14
2008/0053738 A1* 3/2008 Kosuge et al. 180/311
2012/0161477 A1* 6/2012 Furman et al. 296/203.03

(72) Inventor: **Norikazu Matsumura,** Akashi (JP)

* cited by examiner

(73) Assignee: **Kawasaki Jukogyo Kabushiki Kaisha,**
Hyogo (JP)

Primary Examiner — T. Chase Nelson

Assistant Examiner — Ania Aman

(**) Term: **14 Years**

(57) **CLAIM**

The ornamental design for a loading platform for utility vehicles, as shown and described.

(21) Appl. No.: **29/465,510**

DESCRIPTION

(22) Filed: **Aug. 28, 2013**

FIG. 1 is a front elevational view of a loading platform for utility vehicles showing my new design;
FIG. 2 is a rear elevational view thereof;
FIG. 3 is a left side elevational view thereof;
FIG. 4 is a right side elevational view thereof;
FIG. 5 is a top plan view thereof;
FIG. 6 is a bottom plan view thereof;
FIG. 7 is a front left perspective view thereof;
FIG. 8 is a rear left perspective view thereof;
FIG. 9 is a front right perspective view thereof; and,
FIG. 10 is a rear right perspective view thereof.
The broken lines shown in the views show portions of a utility vehicle that form no part of the claimed design.

(51) **LOC (10) Cl.** **12-13**

(52) **U.S. Cl.**
USPC **D12/14**

(58) **Field of Classification Search**
USPC D12/14, 1, 87, 86, 433, 15, 16, 107, 82,
D12/88, 89, 90, 91, 92, 93, 98; D21/803;
180/233, 908; 208/DIG. 5, 183, 184,
208/185, 186, 28, 37.7

See application file for complete search history.

1 Claim, 10 Drawing Sheets

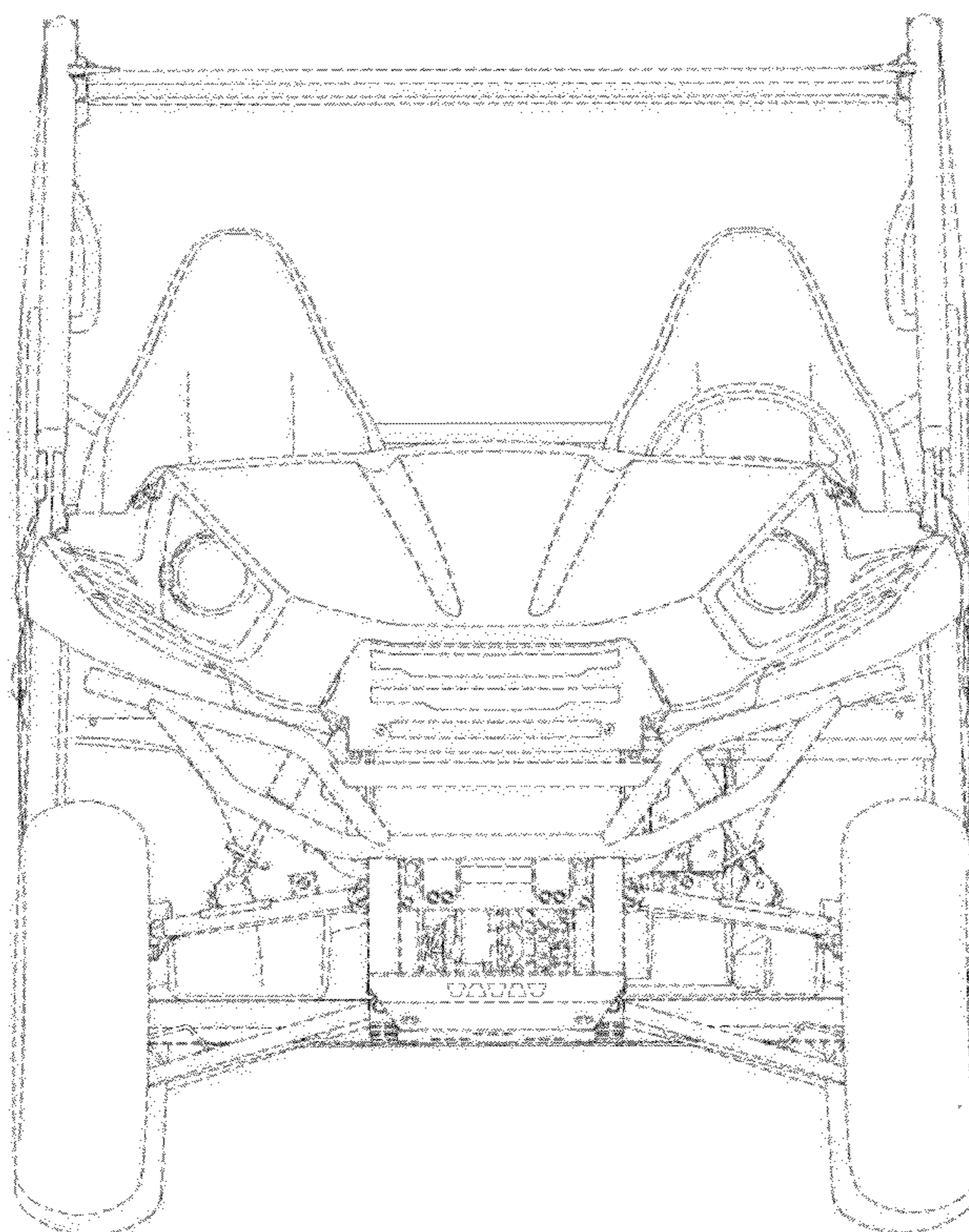


Fig. 1

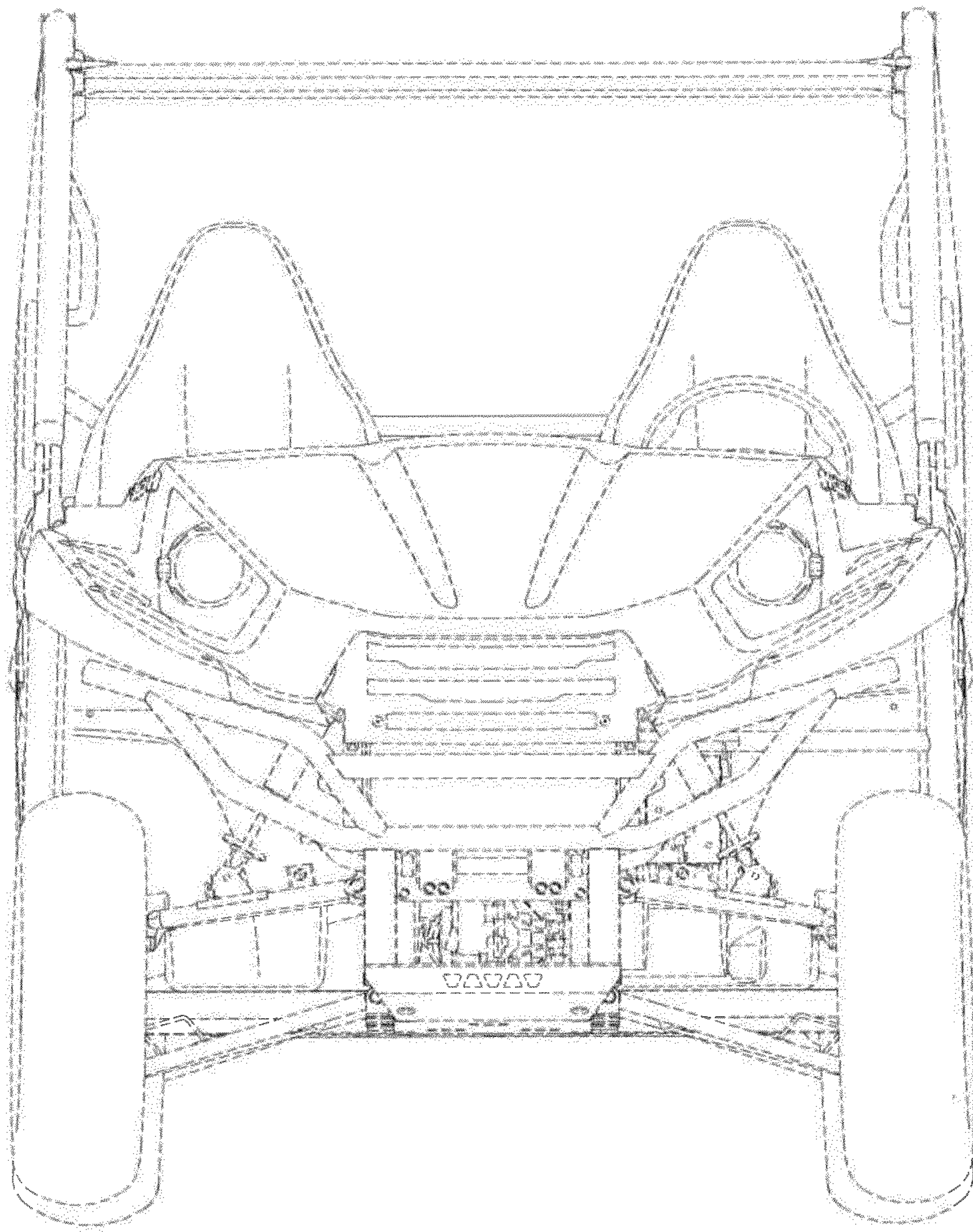
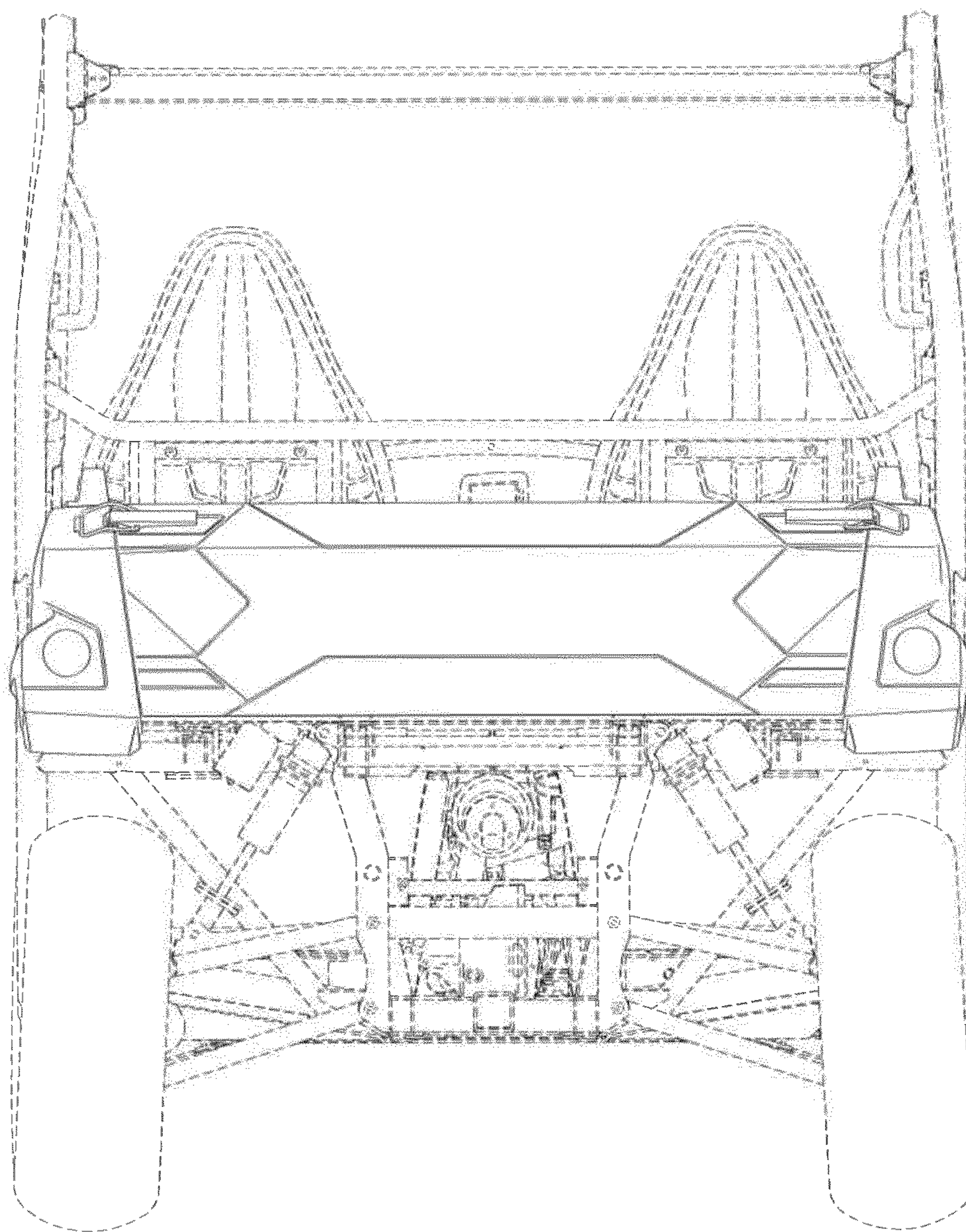


Fig. 2



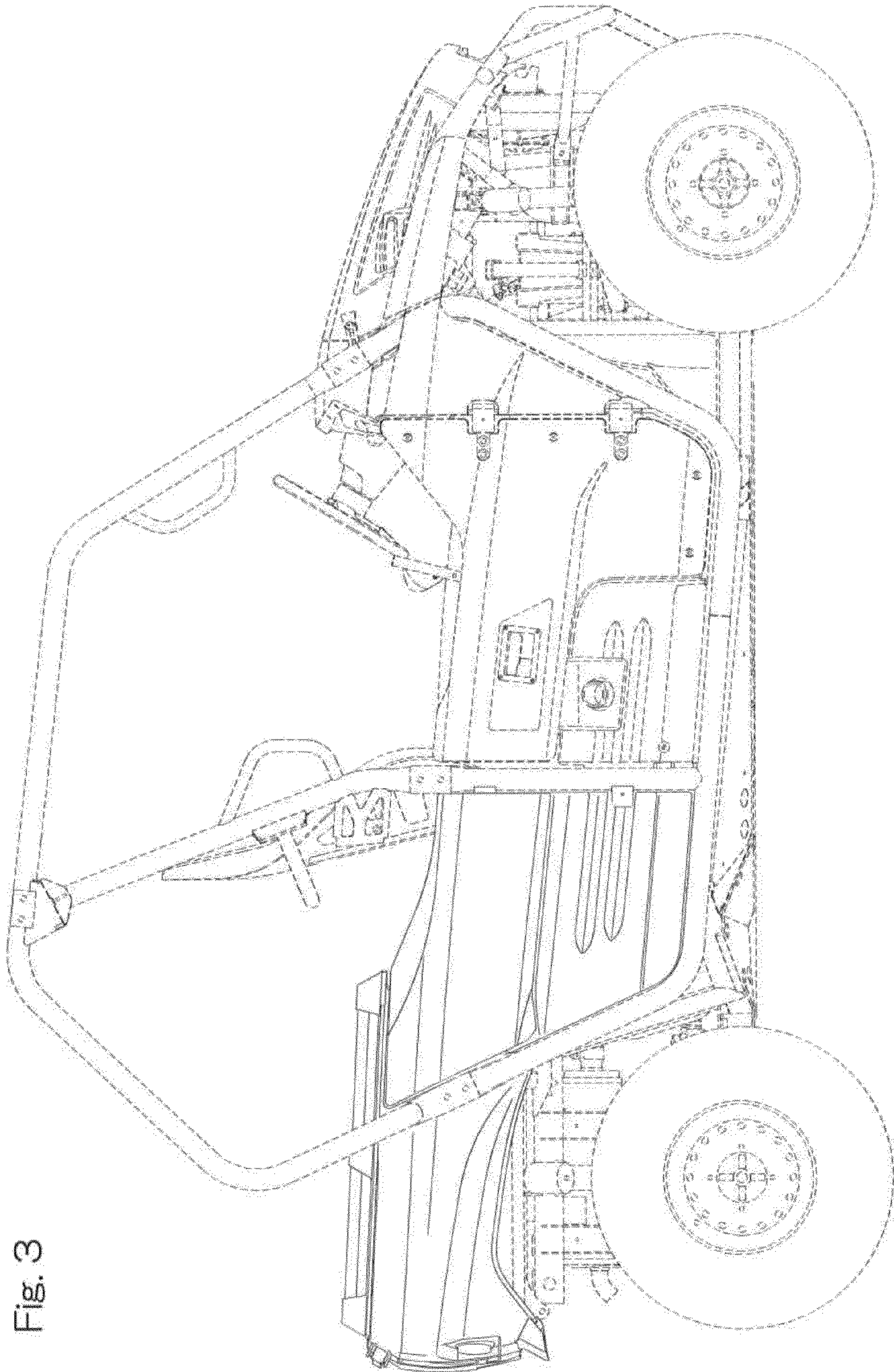


Fig. 3

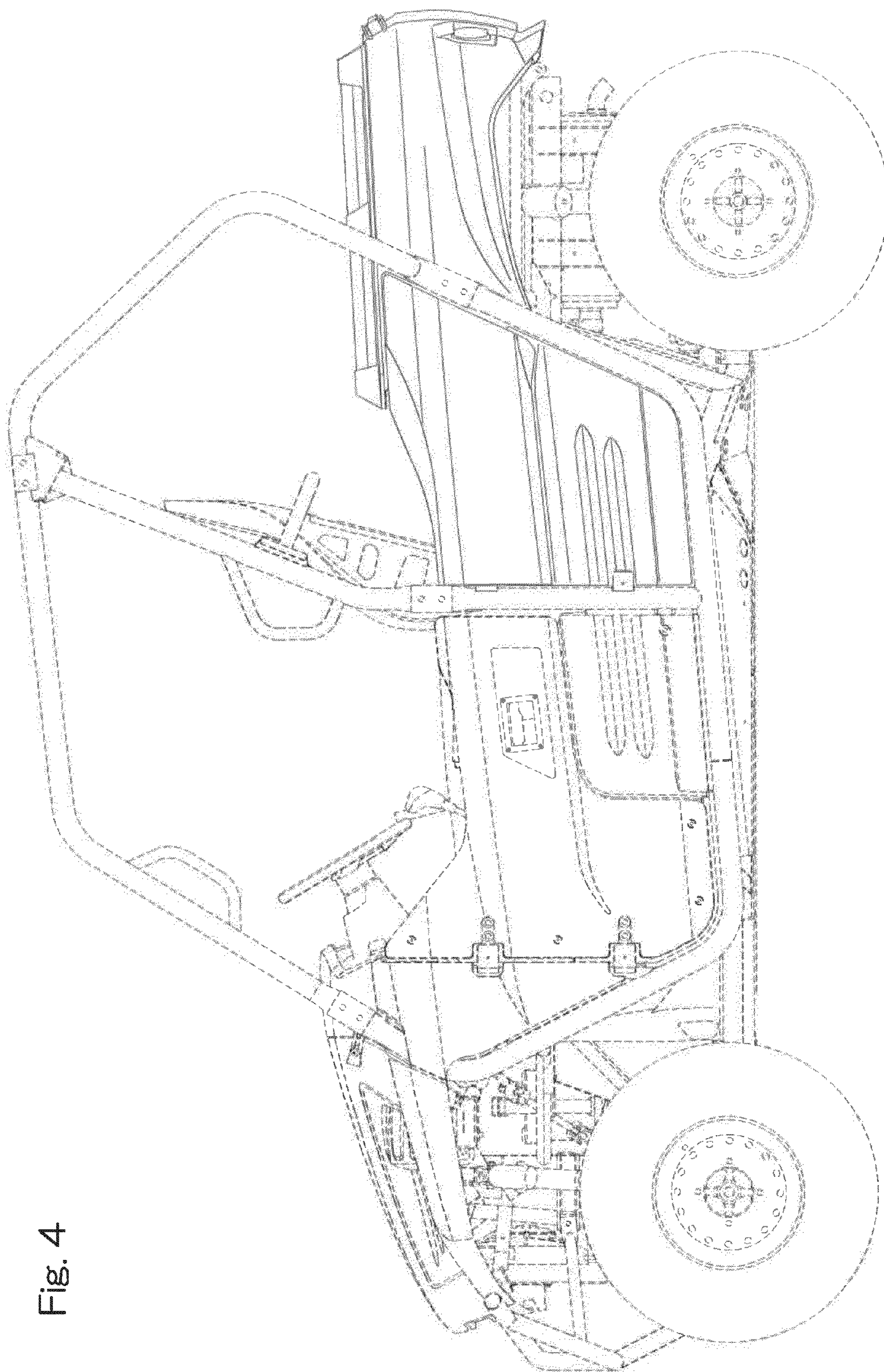


Fig. 4

Fig. 5

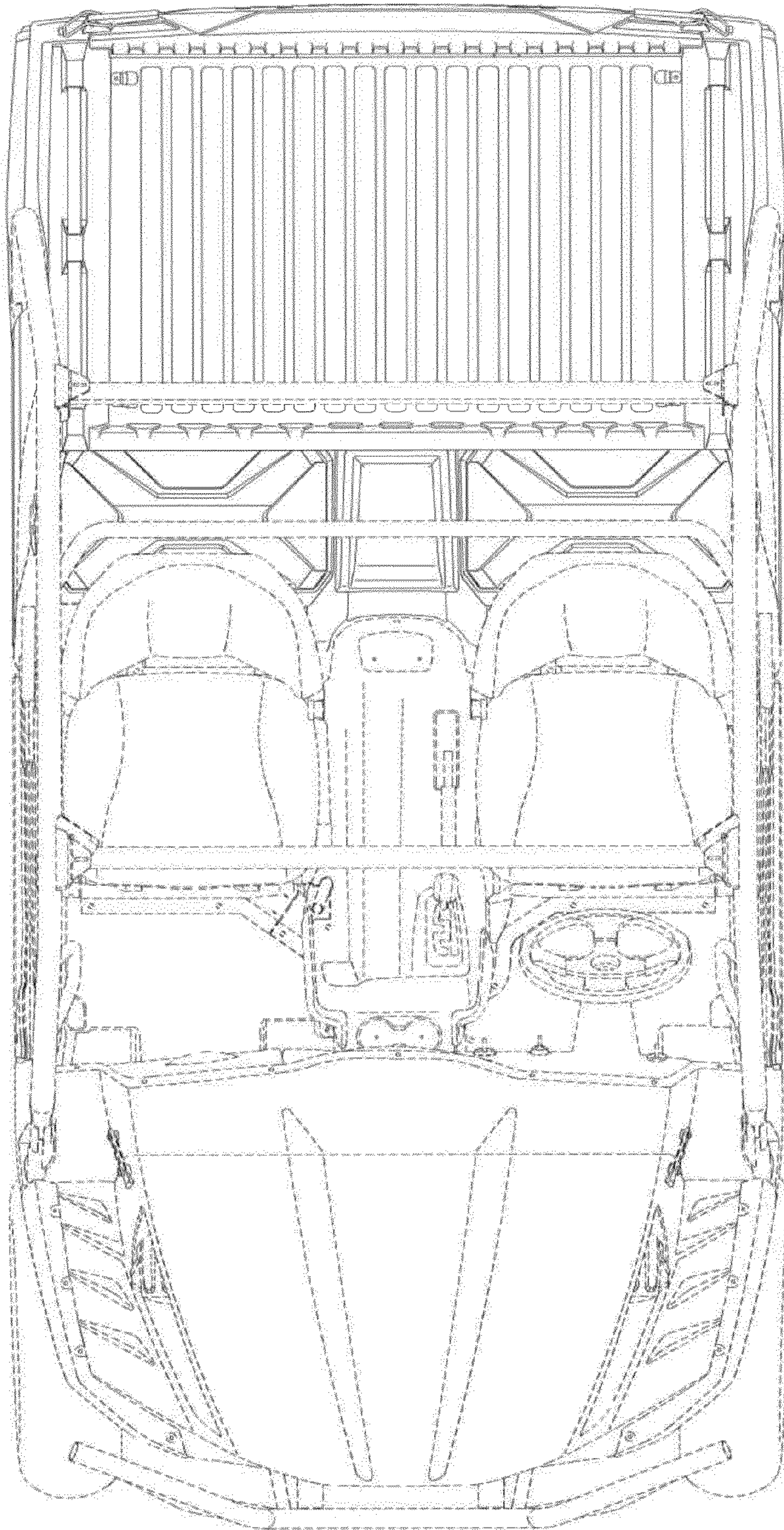
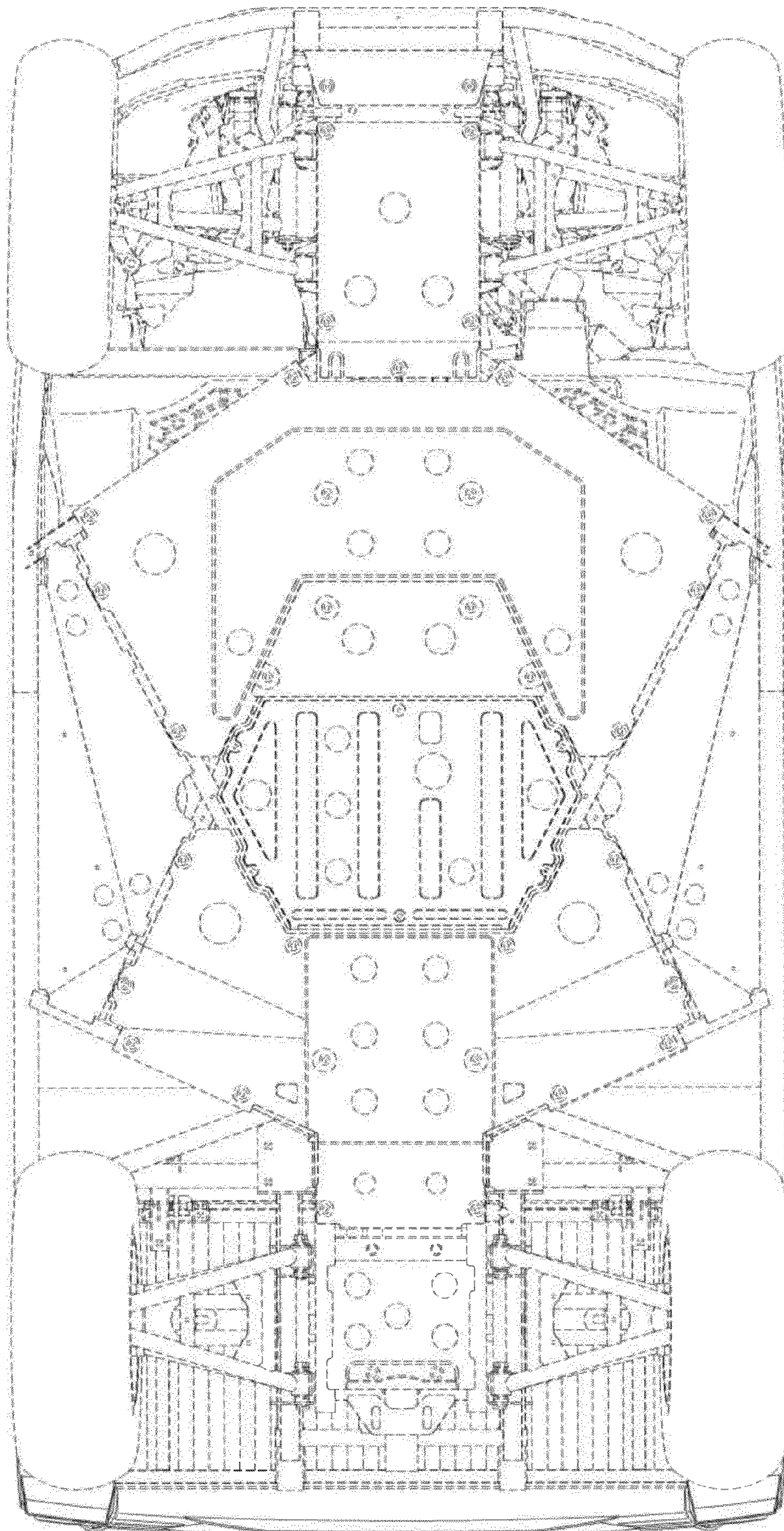


Fig. 6



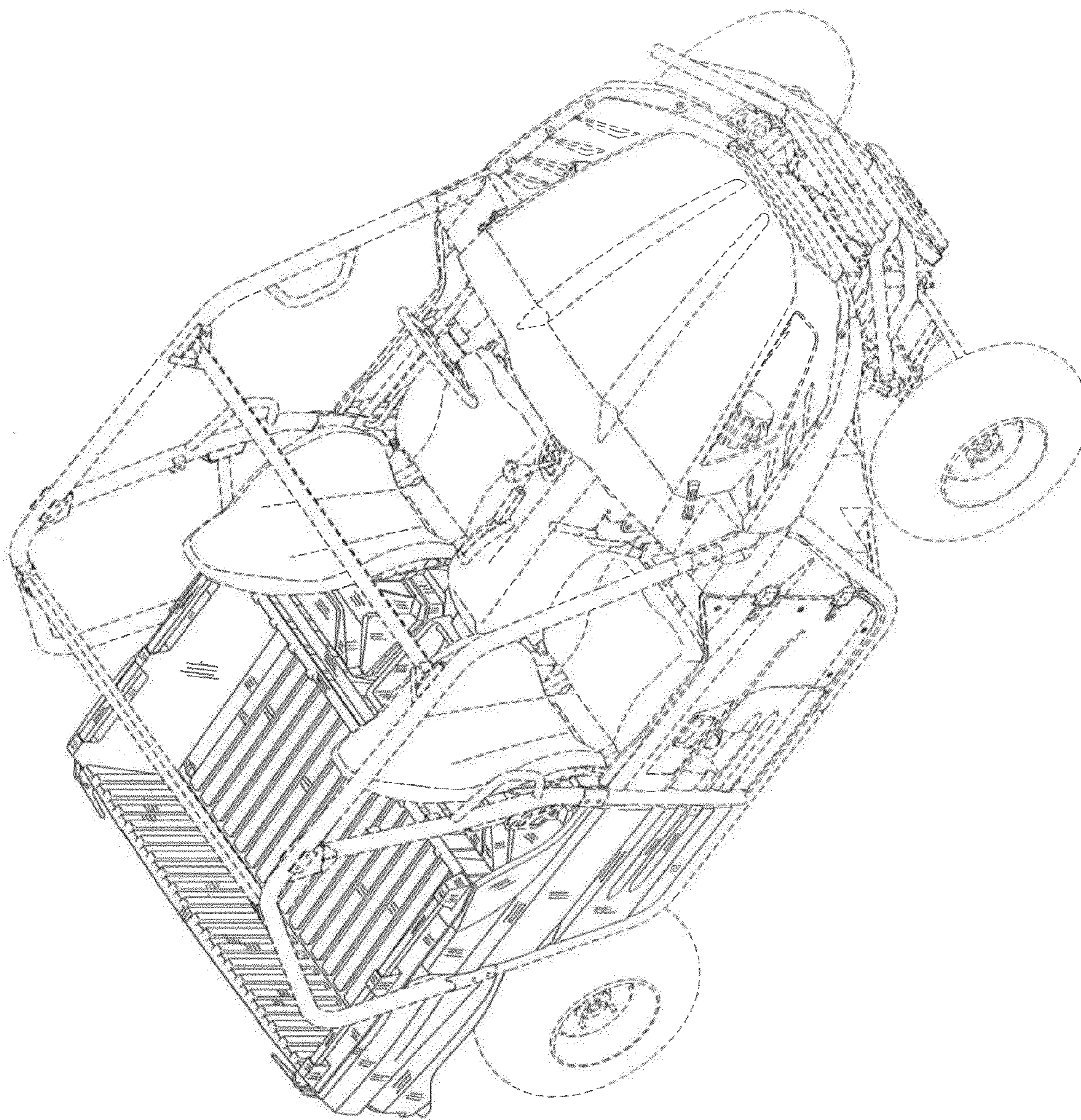


Fig. 7

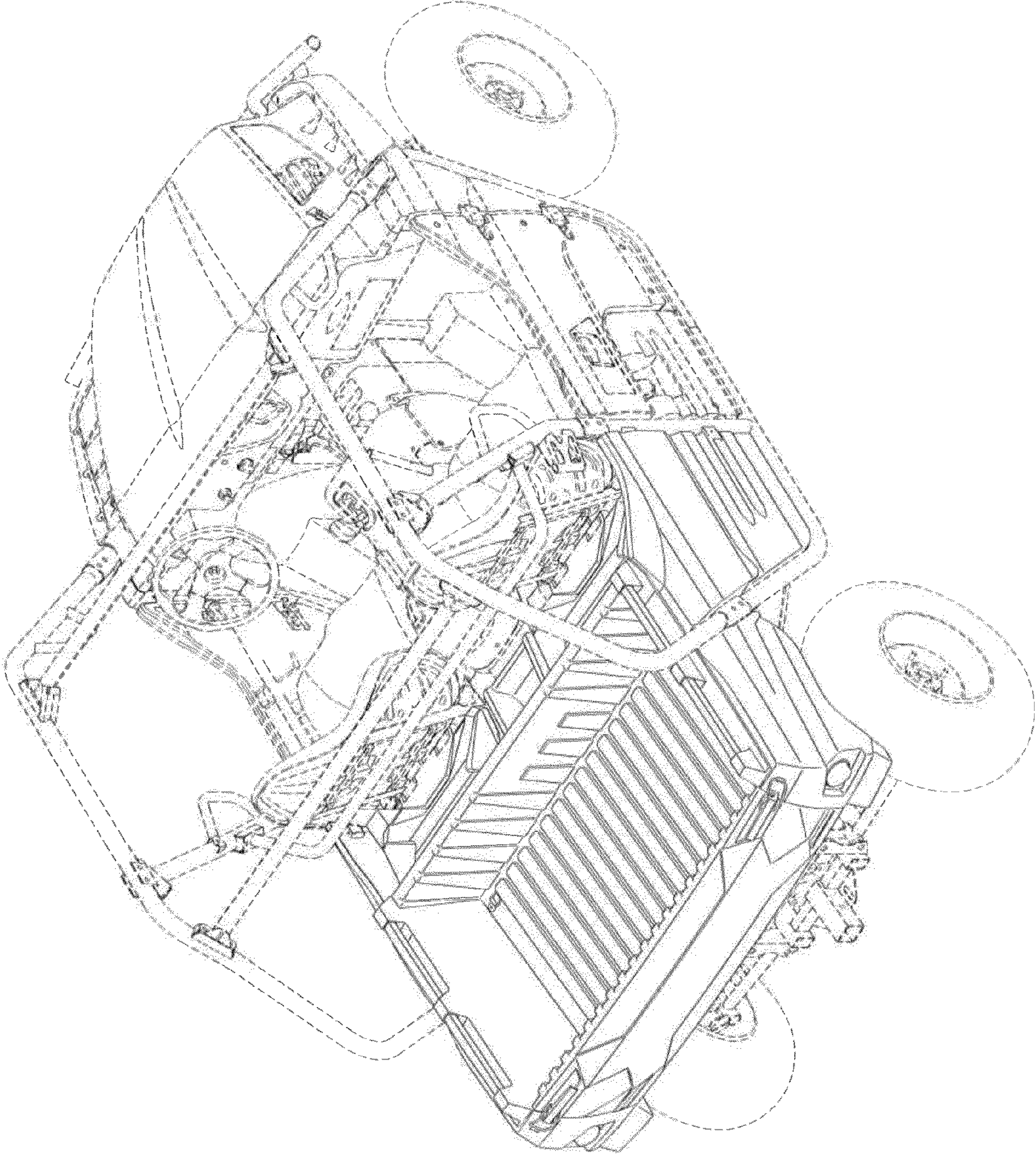


Fig. 8

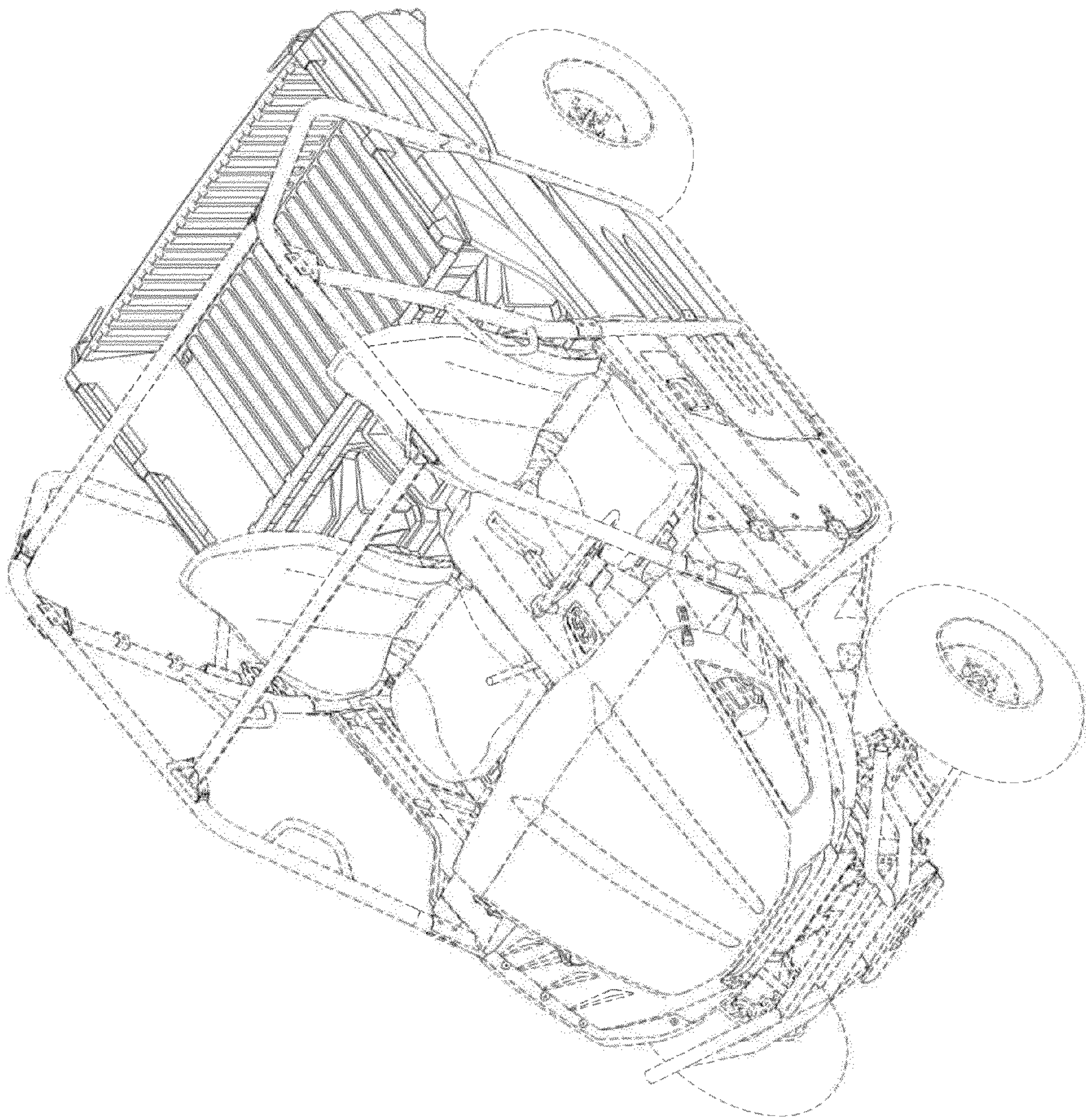


Fig. 9

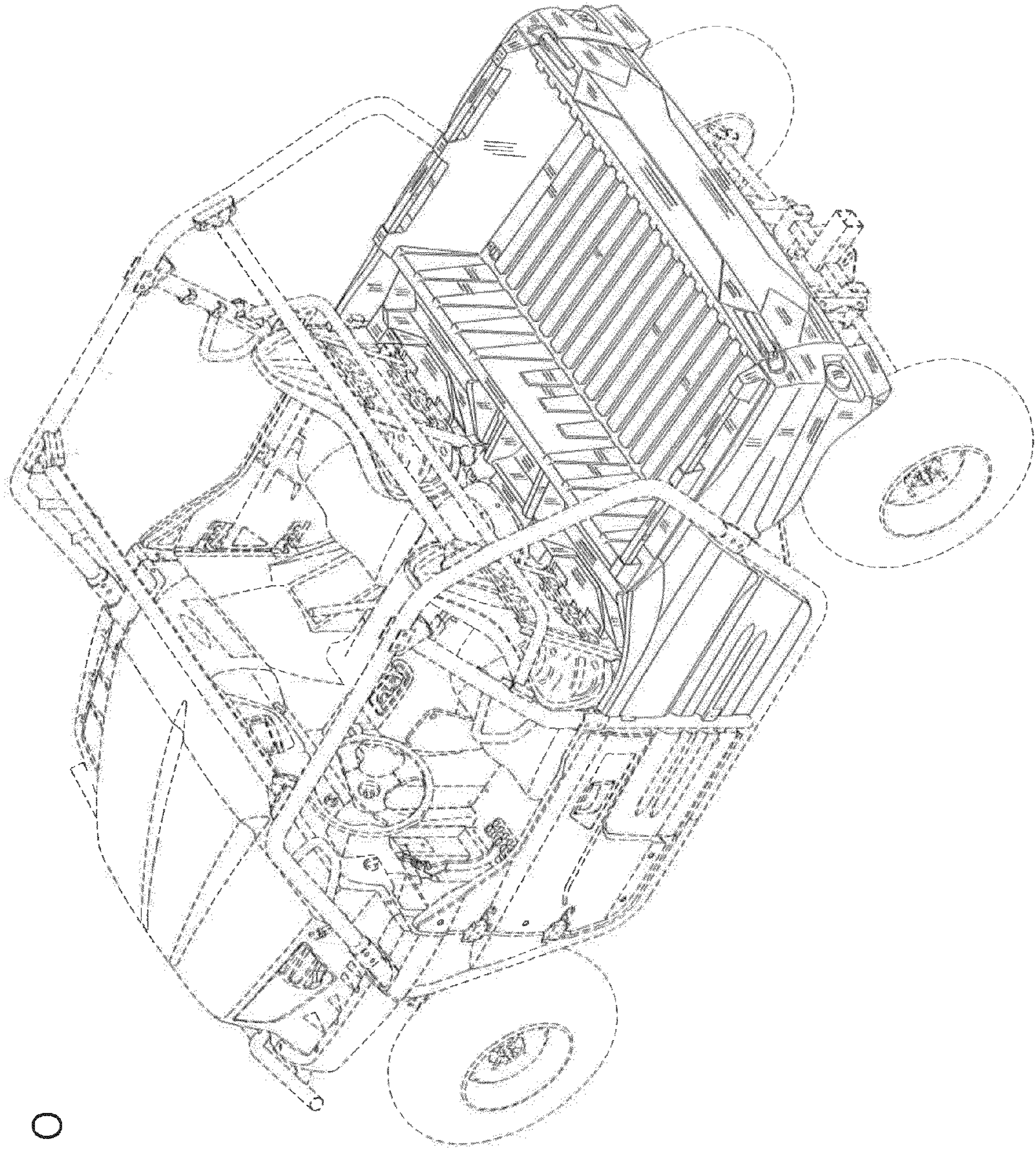


Fig. 10