



US00D709796S

(12) **United States Design Patent**
Zak et al.

(10) **Patent No.:** **US D709,796 S**
(45) **Date of Patent:** **** Jul. 29, 2014**

(54) **FLOWERPOT**

(75) Inventors: **Zvi Zak**, Herzliya (IL); **Reut Sigron**, Herzelia (IL)

(73) Assignee: **Keter Plastic Ltd.**, Herzeliya (IL)

(**) Term: **14 Years**

(21) Appl. No.: **29/414,665**

(22) Filed: **Mar. 1, 2012**

(30) **Foreign Application Priority Data**

Sep. 1, 2011 (EM) 1910928-0001/0005

(51) **LOC (10) Cl.** **11-02**

(52) **U.S. Cl.**
USPC **D11/143**

(58) **Field of Classification Search**
USPC D6/403-405, 556-558; D8/1;
D11/143-156, 164; D19/77, 80, 81,
D19/84; D25/100; D26/9-11, 16, 19;
D34/1, 2, 4-6; D99/5, 19; 47/17, 32.4,
47/32.5, 33, 39, 41.01, 41.1, 41.11-41.15,
47/44-47, 65, 65.5, 65.9, 66.1, 66.6, 66.7,
47/67-71

See application file for complete search history.

(56) **References Cited**

U.S. PATENT DOCUMENTS

3,135,389 A * 6/1964 Farley D11/152
D279,175 S * 6/1985 Eklof D11/164
4,614,056 A * 9/1986 Farkas 47/67
D306,985 S * 4/1990 Mason, Jr. D11/143

D353,248 S * 12/1994 Brussing D34/1
D445,062 S * 7/2001 Wong D11/147
D489,286 S * 5/2004 Rogers D11/143
D595,915 S * 7/2009 Skalka D34/6
D609,872 S * 2/2010 Tuncel D34/1
D614,081 S * 4/2010 Potts et al. D11/152

* cited by examiner

Primary Examiner — Elizabeth Albert

(74) *Attorney, Agent, or Firm* — Vorys, Sater, Seymour and Pease LLP; Susanne M. Hopkins; William L. Klima

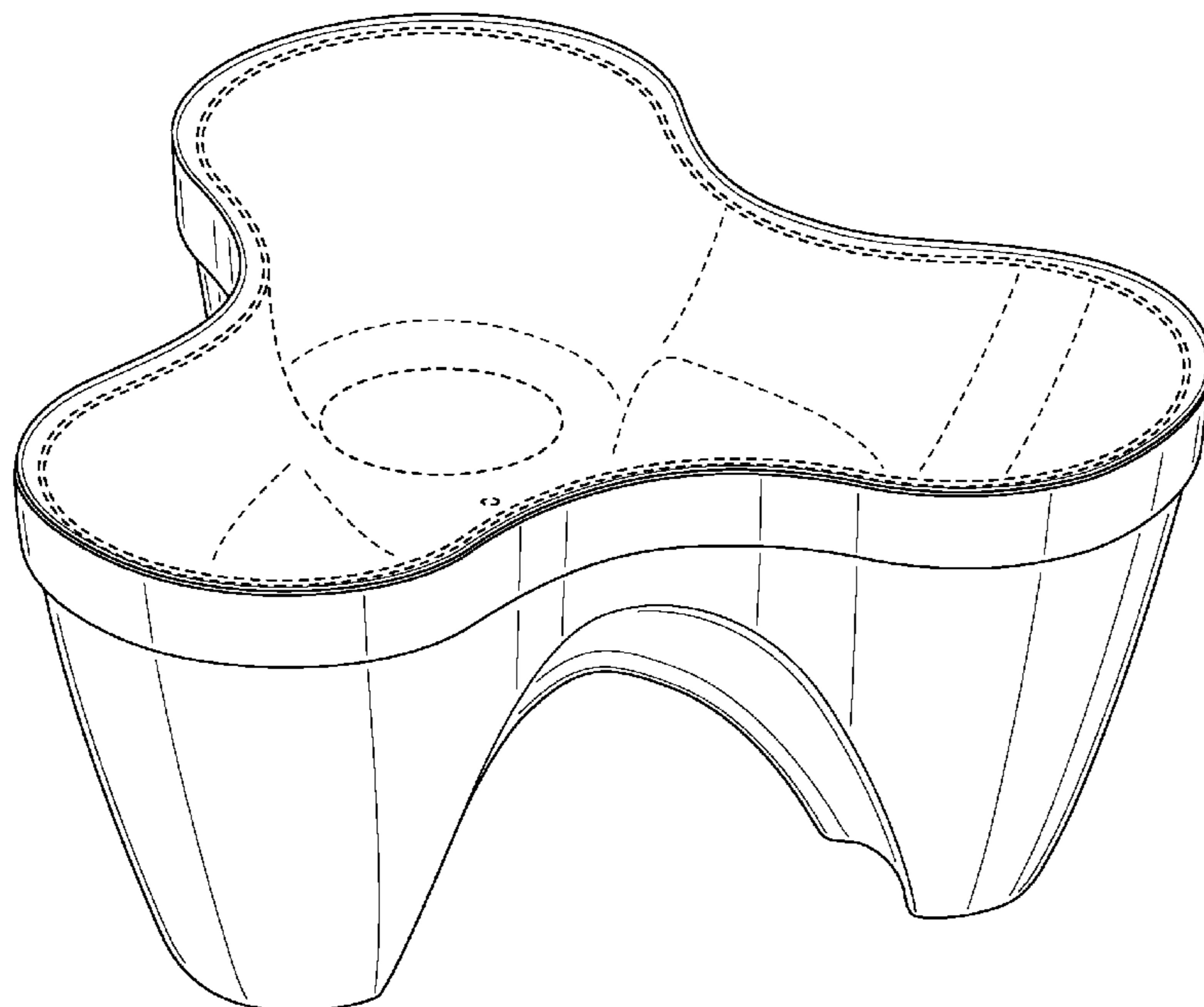
(57) **CLAIM**

The ornamental design for a flowerpot, as shown and described.

DESCRIPTION

FIG. 1 is a front perspective view of the flowerpot illustrating our new design;
FIG. 2 is a front elevational view of the flowerpot of FIG. 1;
FIG. 3 is a rear elevational view of the flowerpot of FIG. 1;
FIG. 4 is a side elevational view of one side of the flowerpot, with the opposite side being a mirror image thereof;
FIG. 5 is a top plan view of the flowerpot of FIG. 1;
FIG. 6 is a front perspective view of the flowerpot of FIG. 1 in a stacked configuration;
FIG. 7 is another perspective view of the flowerpot of FIG. 1 in a stacked configuration; and,
FIG. 8 is a third perspective view of the flowerpot of FIG. 1 in a stacked configuration.
The broken lines are included for the purpose of showing portions of the liner and flowerpot and additional flowerpots that form no part of the claimed design.

1 Claim, 8 Drawing Sheets



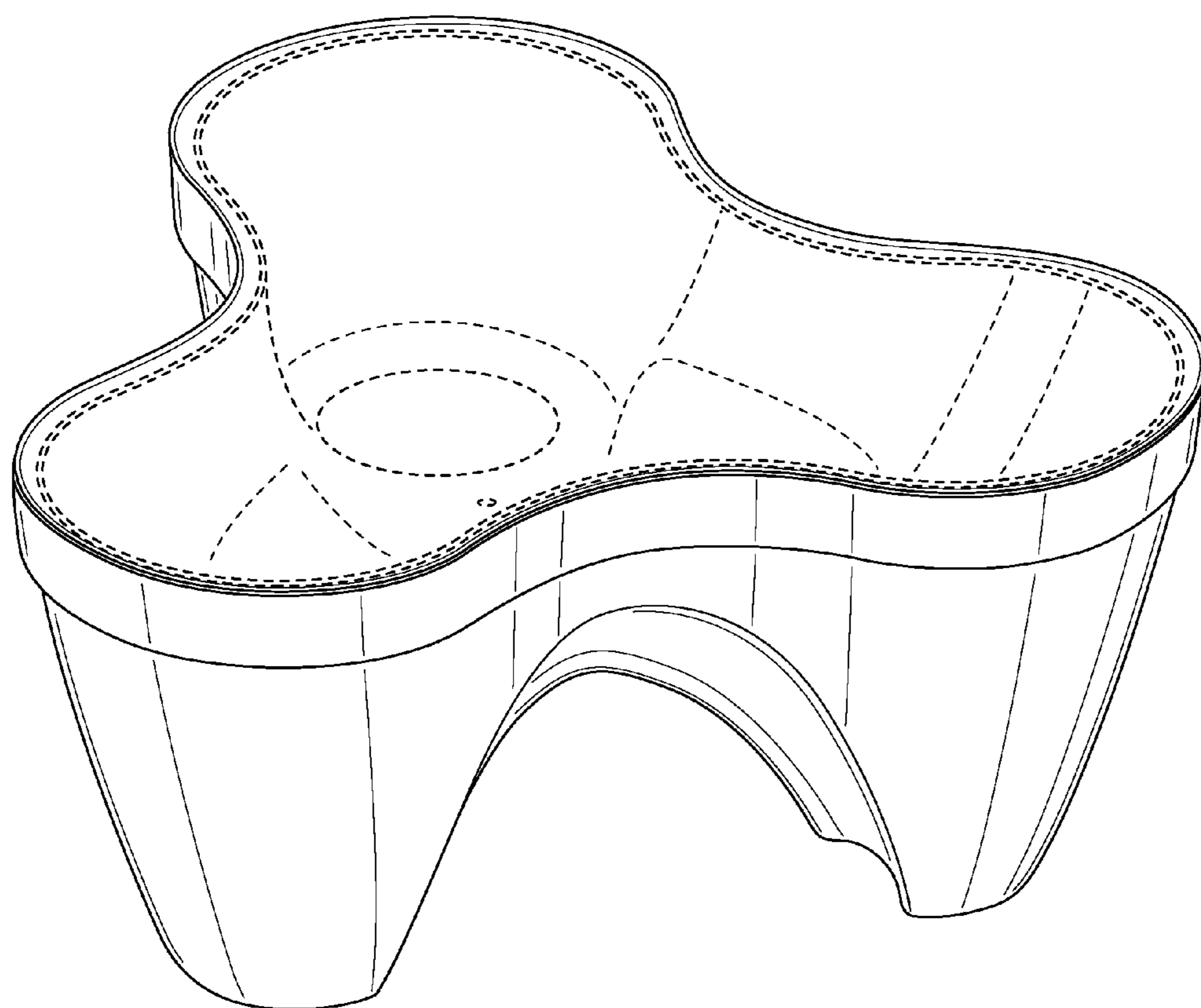


FIG. 1

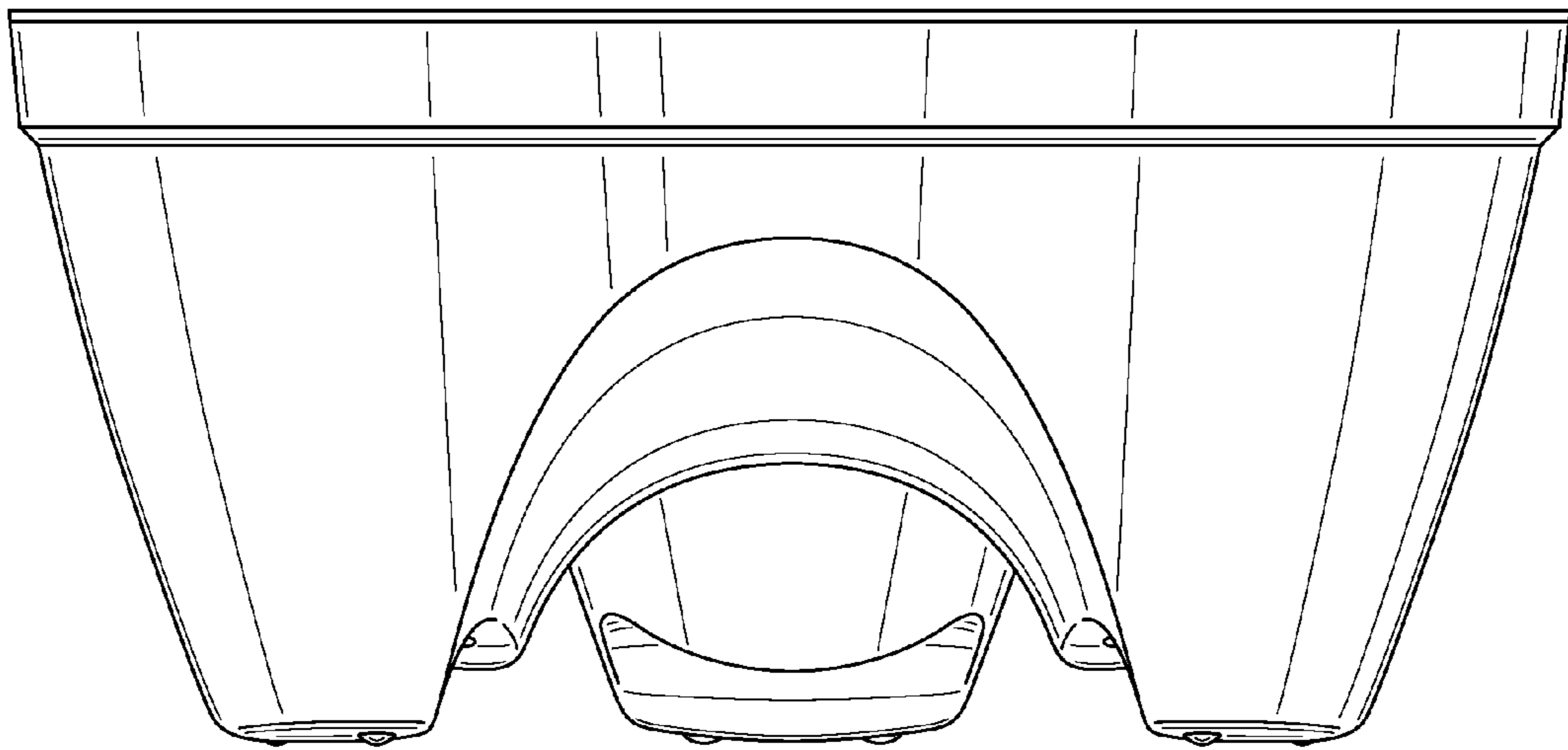


FIG. 2

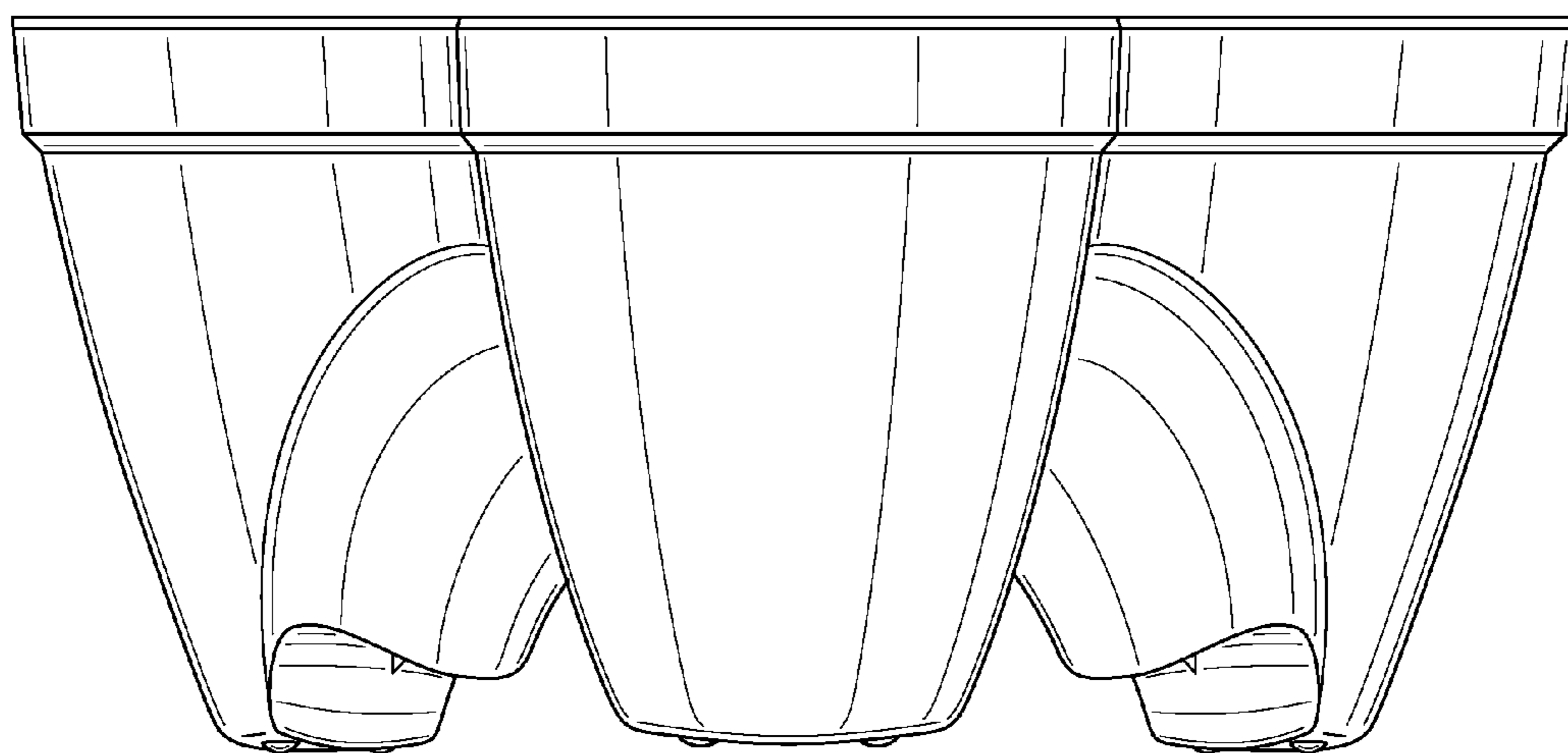


FIG. 3

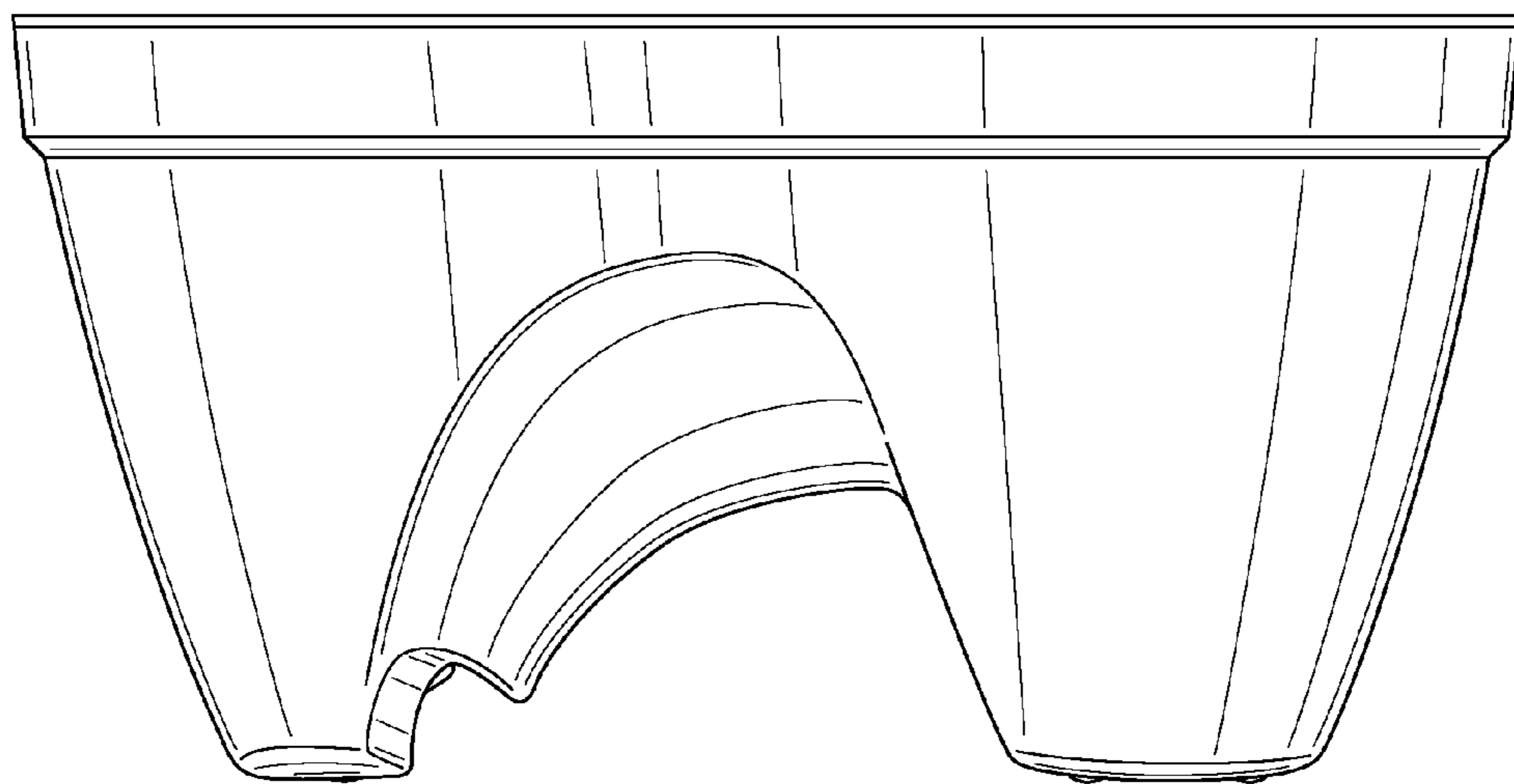


FIG. 4

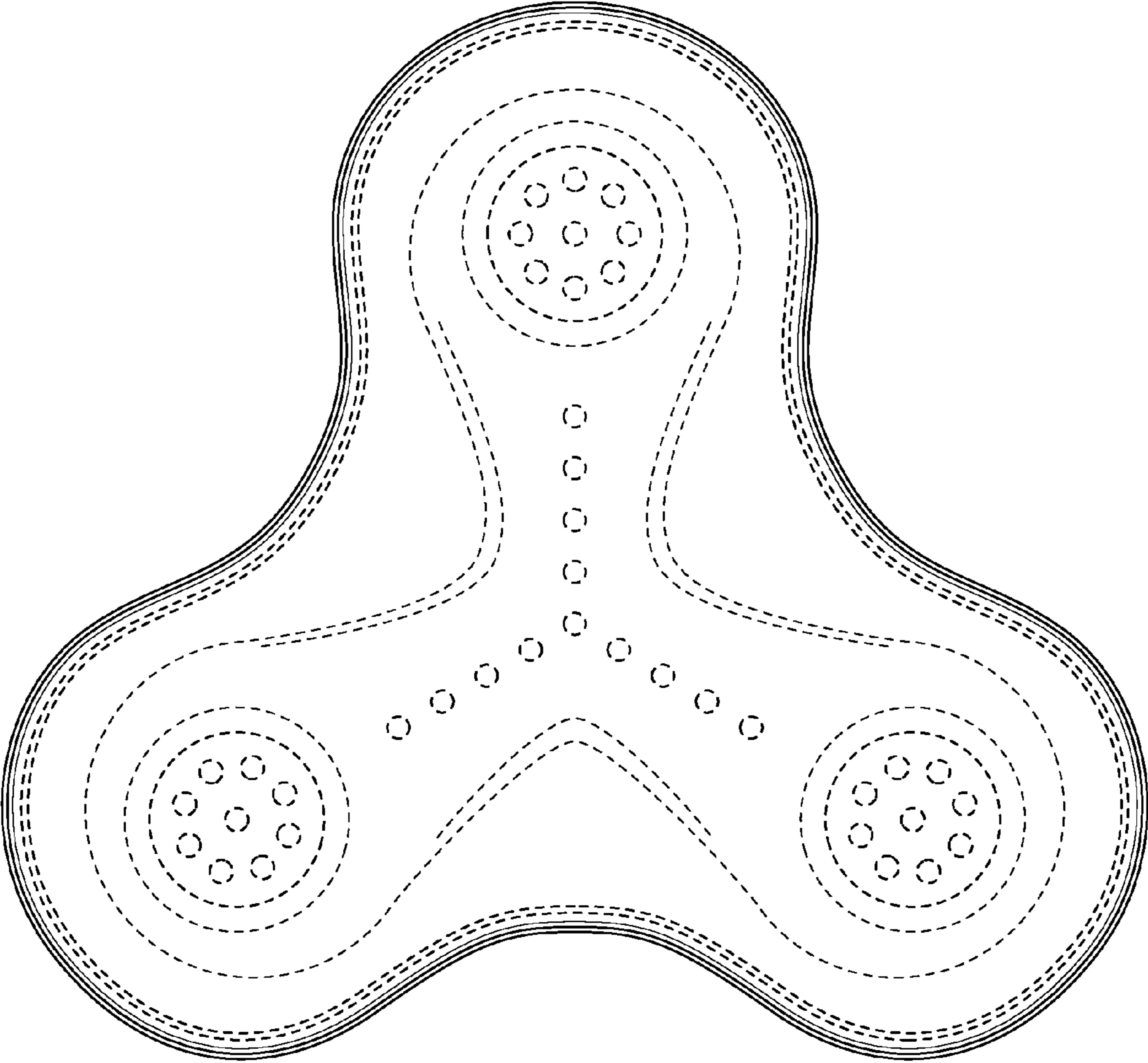


FIG. 5

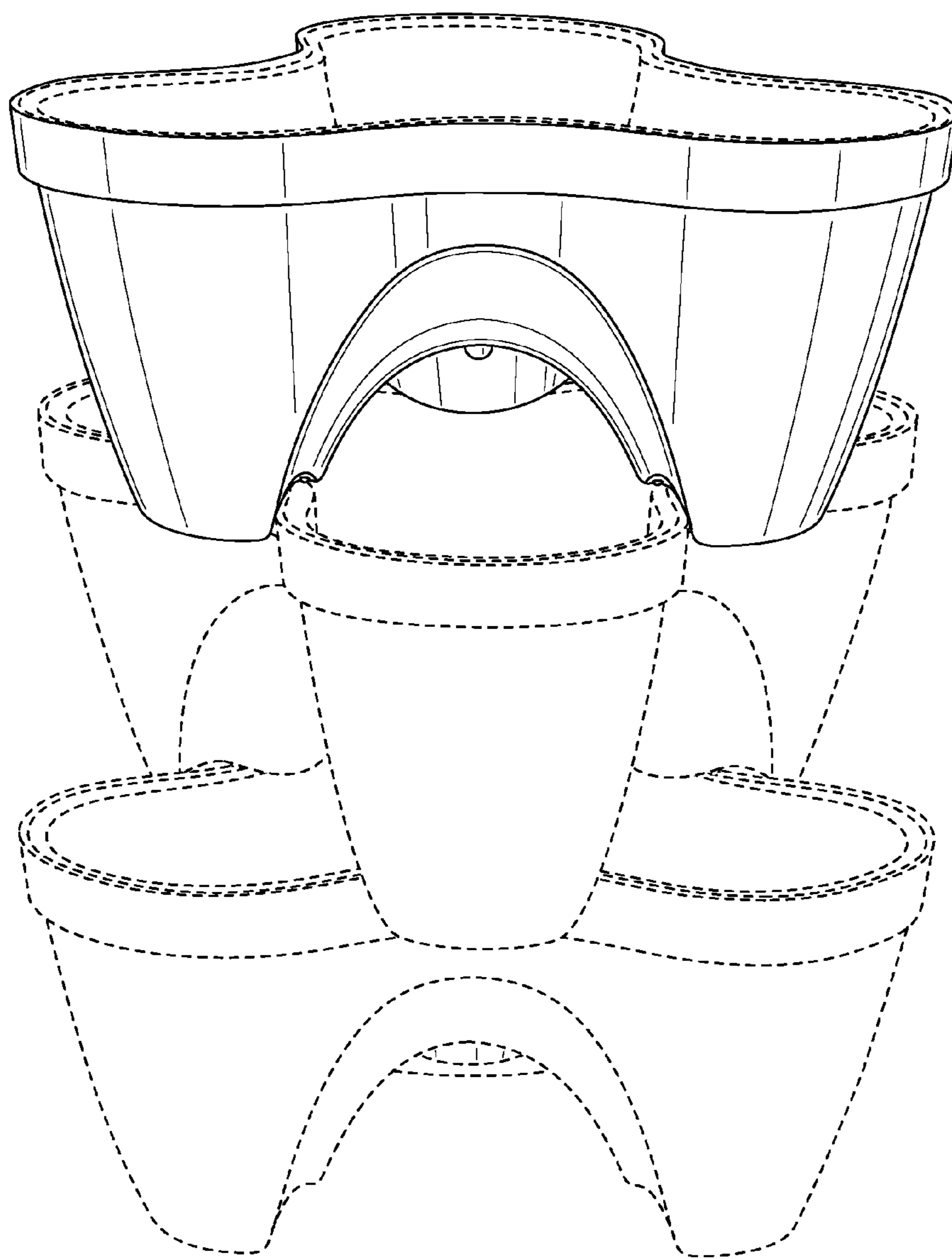


FIG. 6

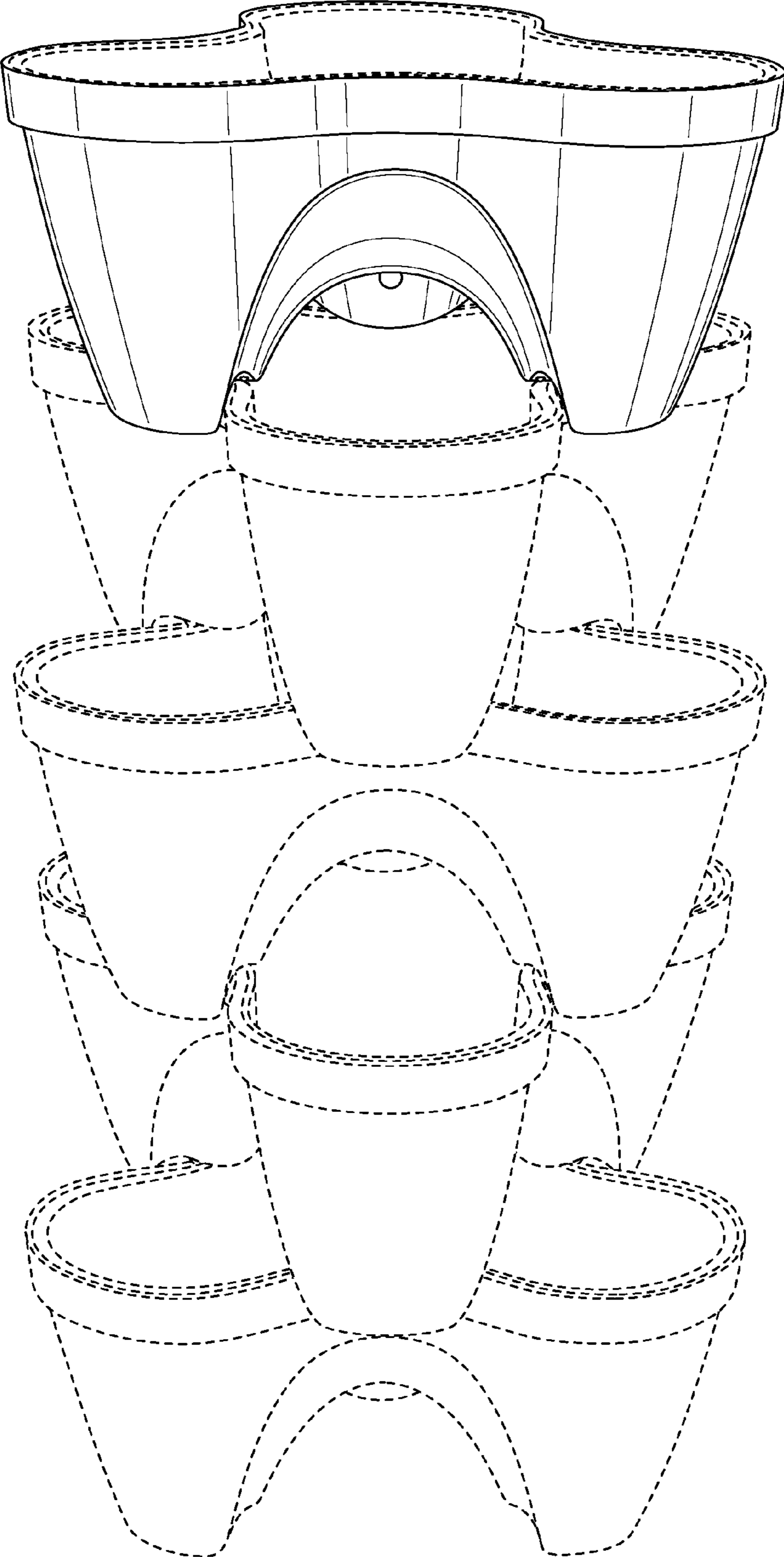


FIG. 7

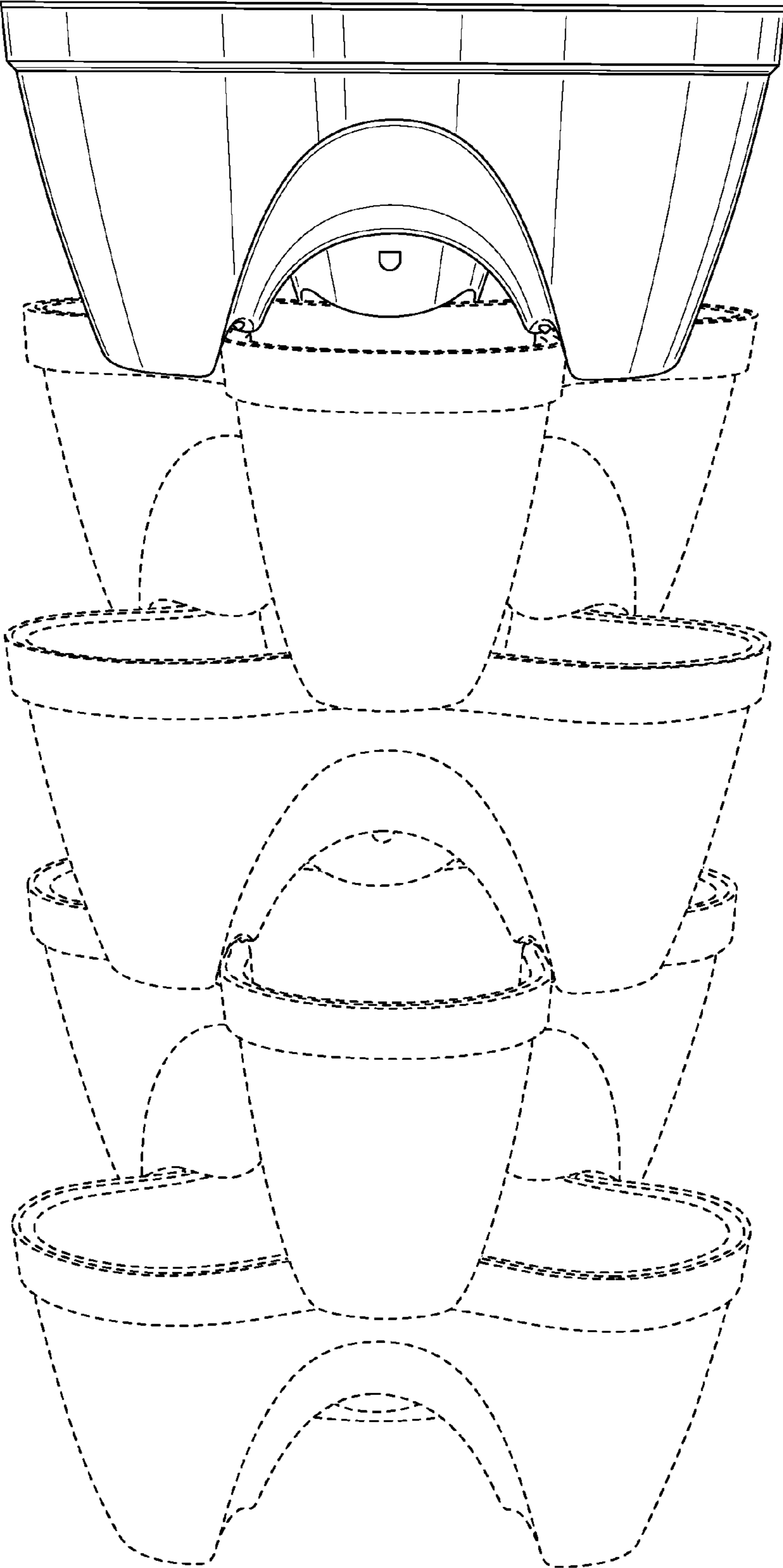


FIG. 8