



US00D709794S

(12) **United States Design Patent**
Gage, Jr.

(10) **Patent No.:** **US D709,794 S**
(45) **Date of Patent:** **** Jul. 29, 2014**

- (54) **CHRISTMAS TREE STAND**
- (71) Applicant: **James F. Gage, Jr.**, Bay City, MI (US)
- (72) Inventor: **James F. Gage, Jr.**, Bay City, MI (US)
- (**) Term: **14 Years**
- (21) Appl. No.: **29/463,546**
- (22) Filed: **Dec. 28, 2013**
- (51) **LOC (10) Cl.** **06-99**
- (52) **U.S. Cl.**
USPC **D11/130.1**
- (58) **Field of Classification Search**
CPC E04H 12/2238; E04H 12/2246; A47G 33/12;
A47G 33/1206; A47G 33/1213; A47G
33/1226; A47G 33/1246; A47G 33/126
USPC D11/117, 121, 130, 130.1, 131, 143,
D11/144, 152, 153, 154; 428/7, 8, 9, 12, 15,
428/19, 20; 248/519, 523-526; 47/39, 40.5,
47/41.01, 41.1, 41.11-41.15, 42, 43
See application file for complete search history.

5,076,009 A	12/1991	Cibor	
D329,208 S *	9/1992	Bowling et al.	D11/130.1
5,157,868 A	10/1992	Munoz	
D330,875 S *	11/1992	Boucher	D11/130.1
D351,570 S *	10/1994	Fillipp	D11/130.1
D354,930 S *	1/1995	Rush et al.	D11/130.1
D366,008 S *	1/1996	Newcomer	D11/130.1
5,522,179 A	6/1996	Hollis	
D373,327 S *	9/1996	Rush et al.	D11/130.1
D374,195 S *	10/1996	Wright et al.	D11/130.1
5,575,110 A	11/1996	Couture	
5,580,026 A *	12/1996	Newcomer	248/523
D396,824 S *	8/1998	Bolster	D11/130.1
D418,083 S *	12/1999	Wilson, Jr.	D11/130.1
D451,839 S *	12/2001	Pomeroy et al.	D11/130.1
D480,014 S	9/2003	Goerke	
D497,832 S *	11/2004	Glover	D11/130.1
D498,172 S *	11/2004	Verni	D11/130.1
D543,895 S	6/2007	Bolster	
D546,240 S	7/2007	Pacheco et al.	
D575,188 S	8/2008	Bycraft	
D676,353 S	2/2013	Bycraft	

* cited by examiner

Primary Examiner — Elizabeth J Oswecki
(74) *Attorney, Agent, or Firm* — Suzanne Kikel

(56) **References Cited**

U.S. PATENT DOCUMENTS

1,742,212 A *	1/1930	Muldoon	362/134
1,846,891 A *	2/1932	Miller	47/40.5
2,613,899 A *	10/1952	Wagner et al.	47/40.5
D172,007 S *	4/1954	Cousland	D11/130.1
2,763,454 A *	9/1956	Lindsell	248/517
D178,974 S *	10/1956	Schulz	D11/130.1
2,847,175 A *	8/1958	Farley et al.	47/40.5
2,905,414 A *	9/1959	Zierden	47/40.5
D188,862 S *	9/1960	Krastel	D11/130.1
3,411,740 A *	11/1968	Schulz	47/40.5
D287,476 S *	12/1986	Craft et al.	D11/130.1
4,653,224 A	3/1987	Weckesser	
D307,729 S *	5/1990	Zonni	D11/130.1
4,930,252 A	6/1990	Krause et al.	

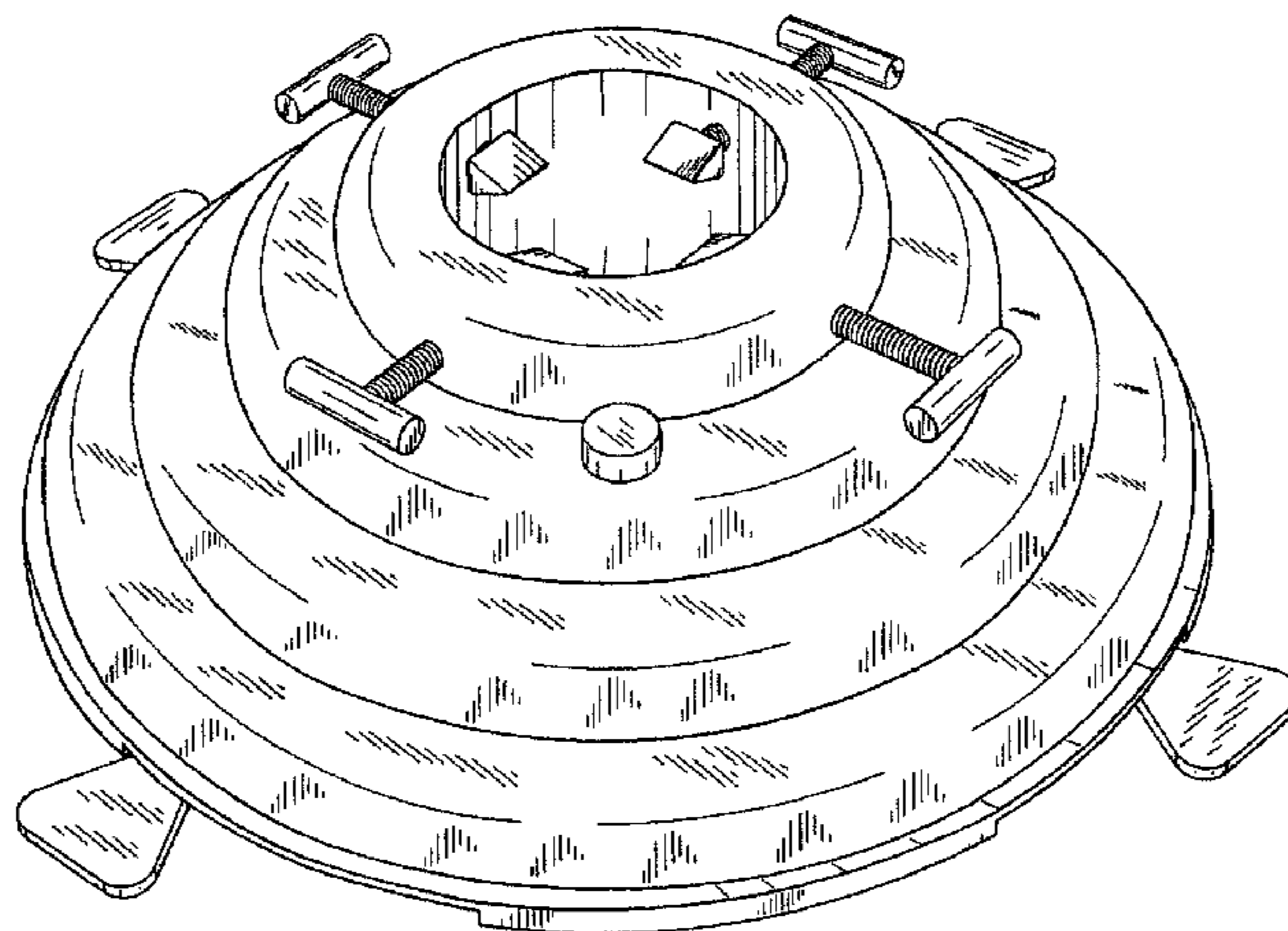
(57) **CLAIM**

The ornamental design for a Christmas tree stand, as shown and described.

DESCRIPTION

FIG. 1 is a perspective view of a Christmas tree stand showing my new design with the support legs extended.
FIG. 2 is a top plan view of the design of FIG. 1 with the support legs retracted.
FIG. 3 is a bottom plan view of FIG. 2 with the support legs retracted; and,
FIG. 4 is a side view of the Christmas tree stand of FIG. 2, with all four sides being identical.

1 Claim, 4 Drawing Sheets



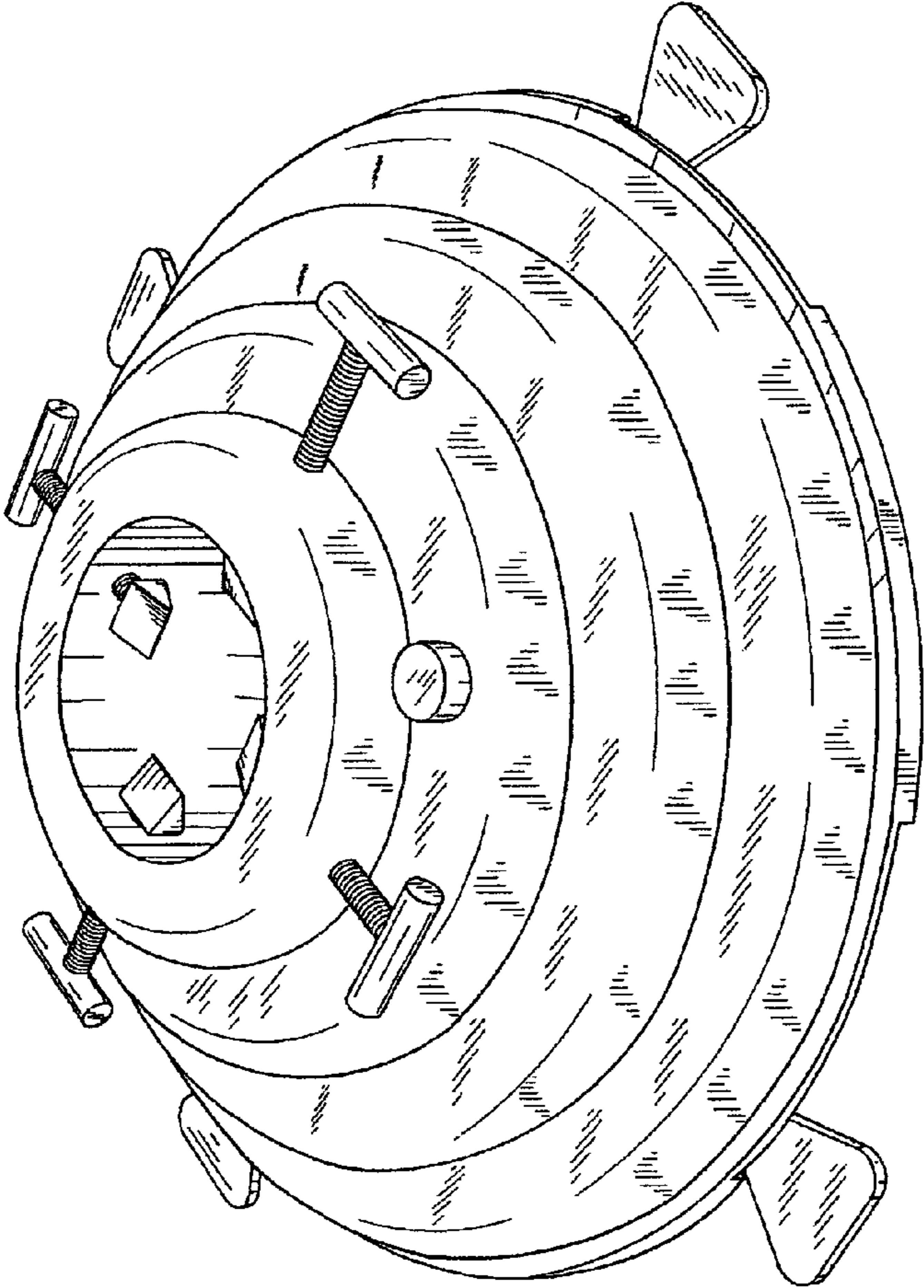


FIG. 1

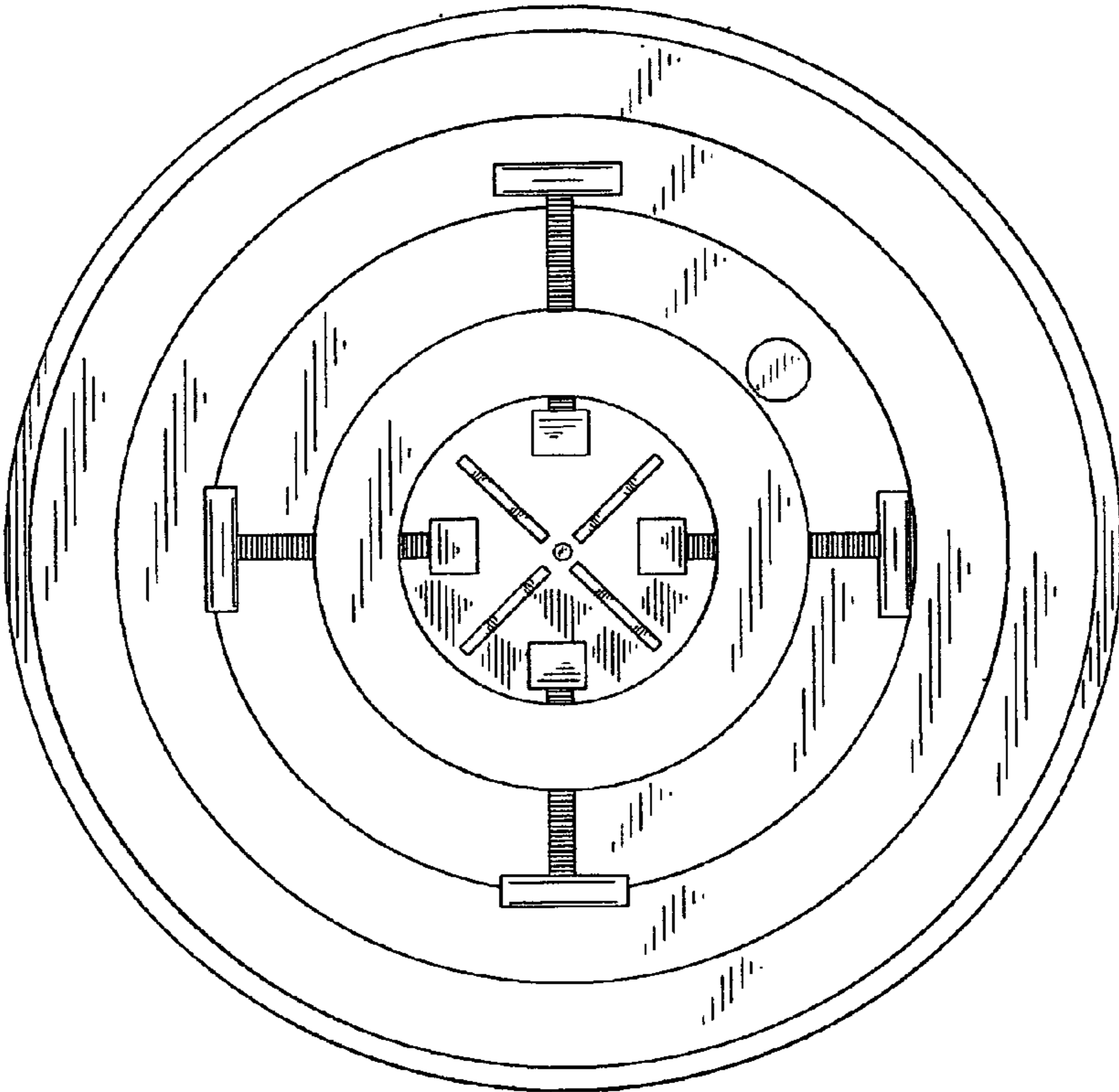


FIG. 2

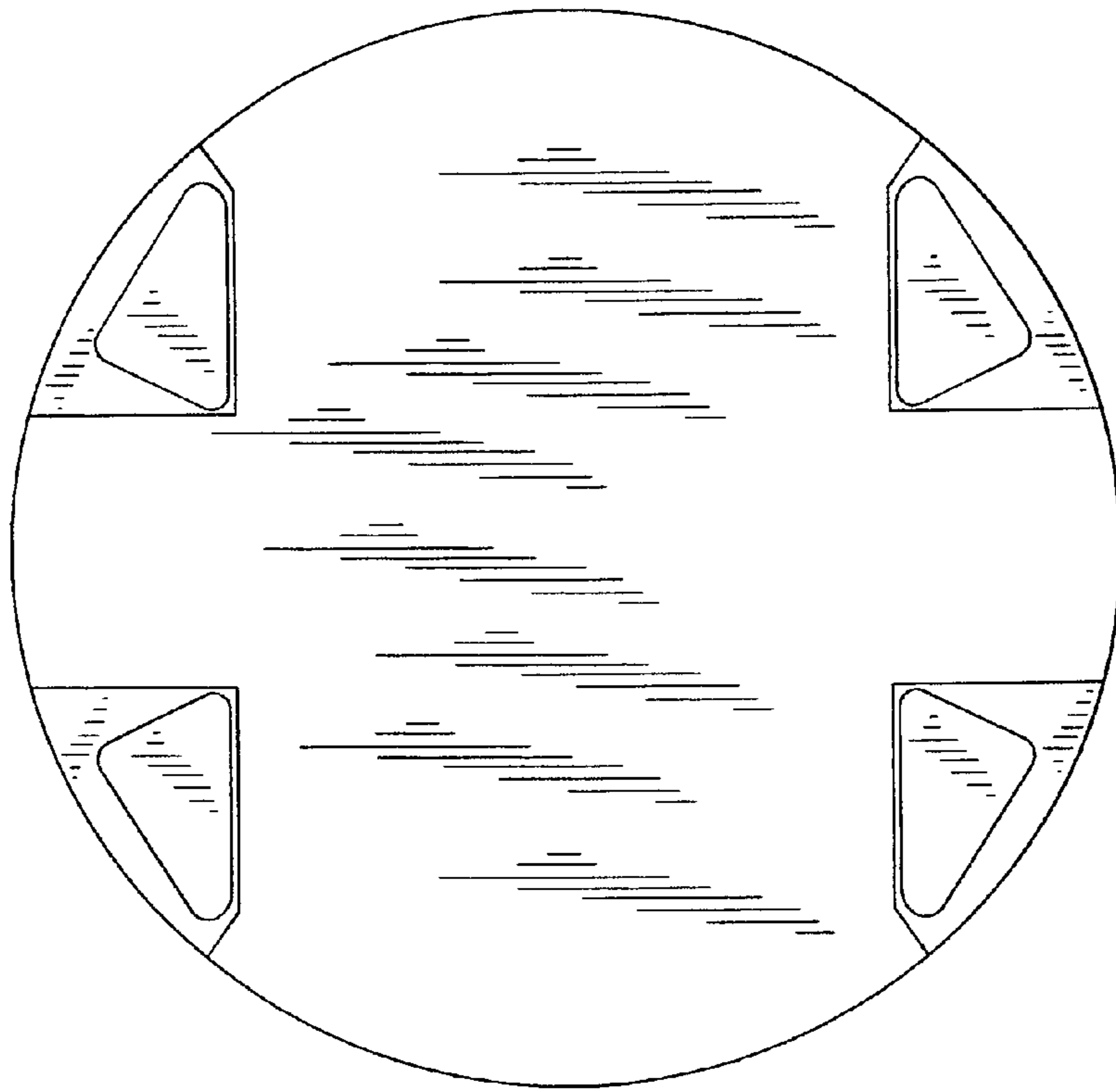


FIG. 3

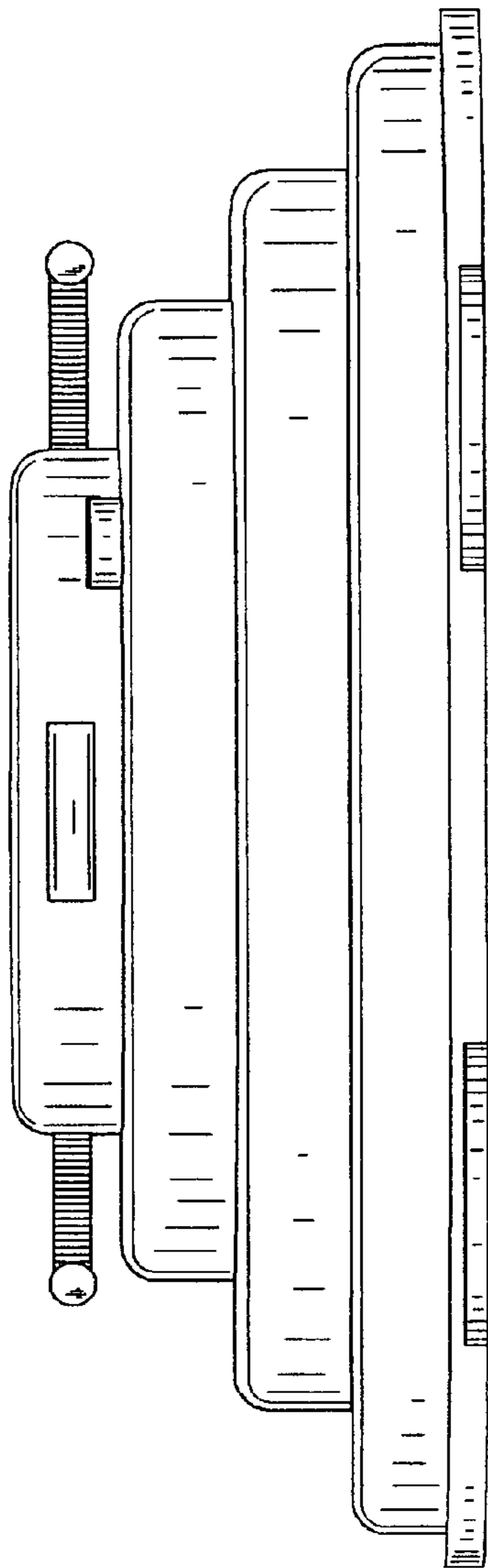


FIG. 4