



US00D709792S

(12) **United States Design Patent**
Singer et al.

(10) **Patent No.:** **US D709,792 S**
(45) **Date of Patent:** **** Jul. 29, 2014**

- (54) **FASTENER FOR EARRING**
- (71) Applicants: **Alexander Singer**, New York, NY (US);
Viktor Kapiliovich, Holland, PA (US)
- (72) Inventors: **Alexander Singer**, New York, NY (US);
Viktor Kapiliovich, Holland, PA (US)
- (**) Term: **14 Years**
- (21) Appl. No.: **29/455,381**
- (22) Filed: **May 20, 2013**
- (51) **LOC (10) Cl.** **11-01**
- (52) **U.S. Cl.**
USPC **D11/93**
- (58) **Field of Classification Search**
USPC D11/1-25, 32, 93, 94; 59/78, 79.2;
63/1.11, 3, 3.1, 3.2, 5.1, 5.2, 7-11;
224/175; D10/30-32
See application file for complete search history.

(56) **References Cited**

U.S. PATENT DOCUMENTS

216,954 A	7/1879	Heckman	
1,080,735 A	12/1913	Tolchin	
1,402,827 A	1/1922	Arkin	
2,308,412 A	1/1943	Ballou	
3,523,339 A	8/1970	La Viano	
4,184,343 A	1/1980	Green	
4,733,544 A	3/1988	Londaro	
4,774,817 A *	10/1988	Beam et al.	63/12
4,869,078 A	9/1989	Leith	
D363,683 S	10/1995	Spurgeon	
5,588,309 A	12/1996	Chioffe	
5,845,378 A *	12/1998	Karmeli et al.	24/705
5,893,278 A	4/1999	Float	
5,894,641 A	4/1999	Hurtz	
5,987,718 A	11/1999	Kelly	

6,058,581 A	5/2000	Ehrlund	
D429,658 S *	8/2000	Biagi	D11/41
6,134,917 A	10/2000	Kohl	
6,138,333 A	10/2000	Hollingworth	
6,138,475 A	10/2000	Kohl	
6,317,941 B1	11/2001	Hamm	
6,389,662 B1	5/2002	Hamm	
6,557,220 B1	5/2003	Hamm	
6,584,656 B1 *	7/2003	Karmeli	24/705
D488,087 S	4/2004	Hamm	
D516,940 S *	3/2006	Friedman	D11/90
7,013,675 B2	3/2006	Marquez-Pickering	
D545,240 S *	6/2007	Taussig	D11/91
D552,007 S *	10/2007	Taussig	D11/47
7,617,576 B2 *	11/2009	Tanio	24/705
7,818,852 B2 *	10/2010	Van der Greft	24/705
7,878,024 B2	2/2011	Baik	
8,621,887 B1 *	1/2014	Arlow	63/29.2

* cited by examiner

Primary Examiner — Zenia Bennett

(74) *Attorney, Agent, or Firm* — Steven N. Fox, Esq.

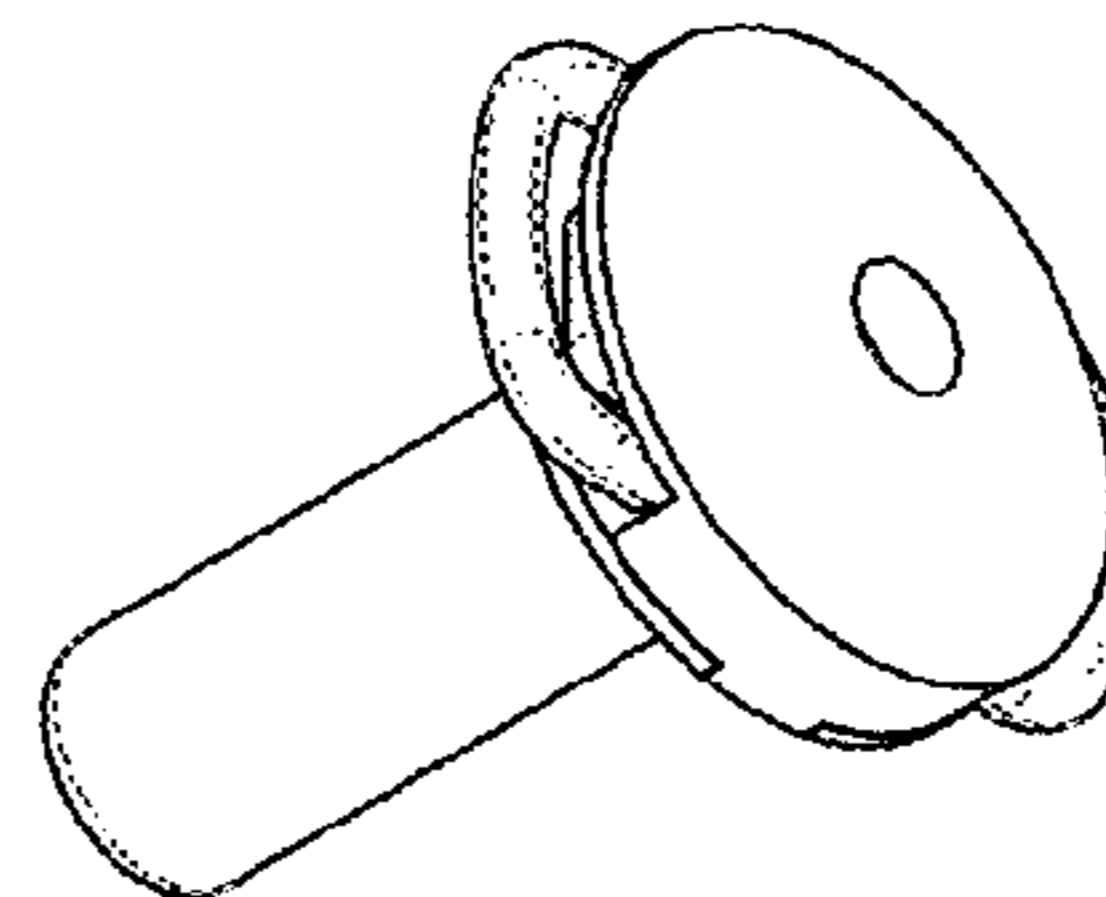
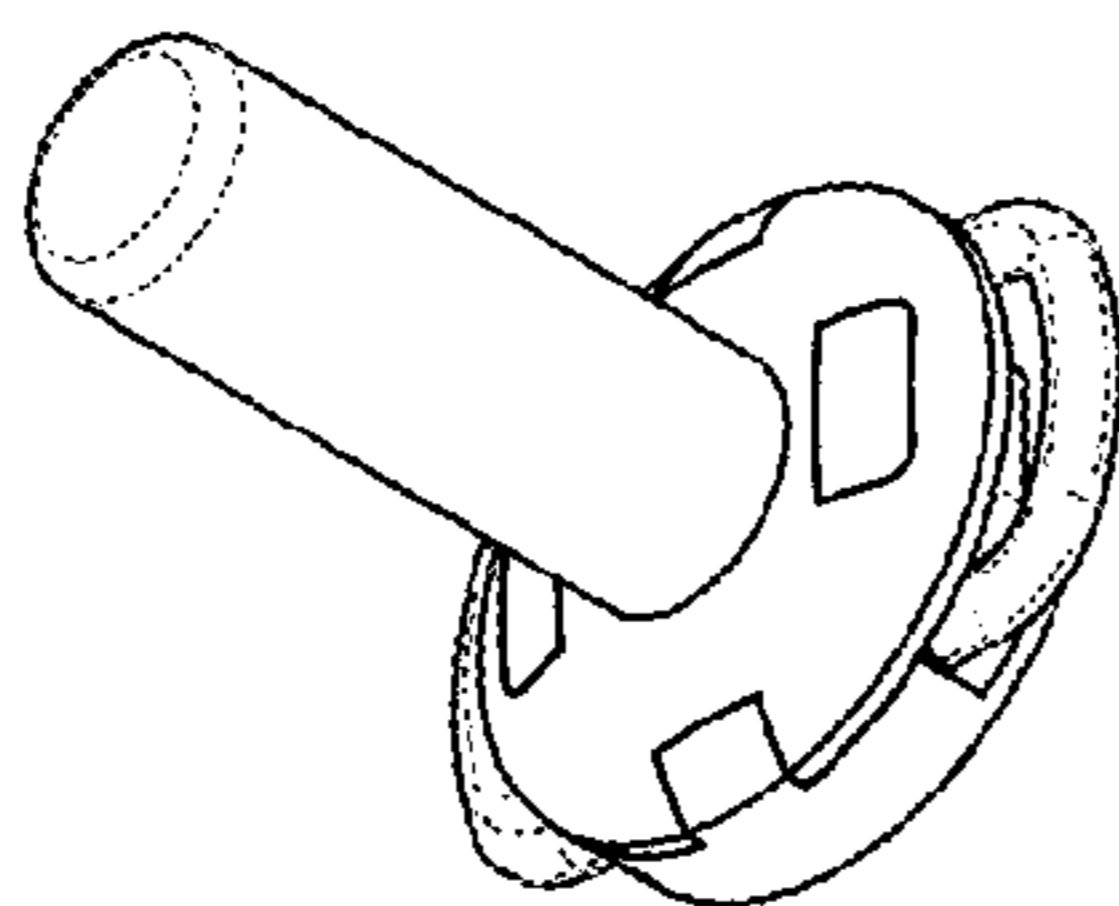
(57) **CLAIM**

The ornamental design for an fastener for earring, as shown and described.

DESCRIPTION

FIG. 1 is a front perspective view of an fastener for earring according to the present invention;
 FIG. 2 is a front view thereof;
 FIG. 3 is a rear view thereof;
 FIG. 4 is a left side view thereof; the right side view being a mirror image thereof
 FIG. 5 is a top view thereof; and,
 FIG. 6 is a bottom view thereof.
 The broken lines in the drawings illustrate environmental structure and form no part of the claimed design.

1 Claim, 1 Drawing Sheet



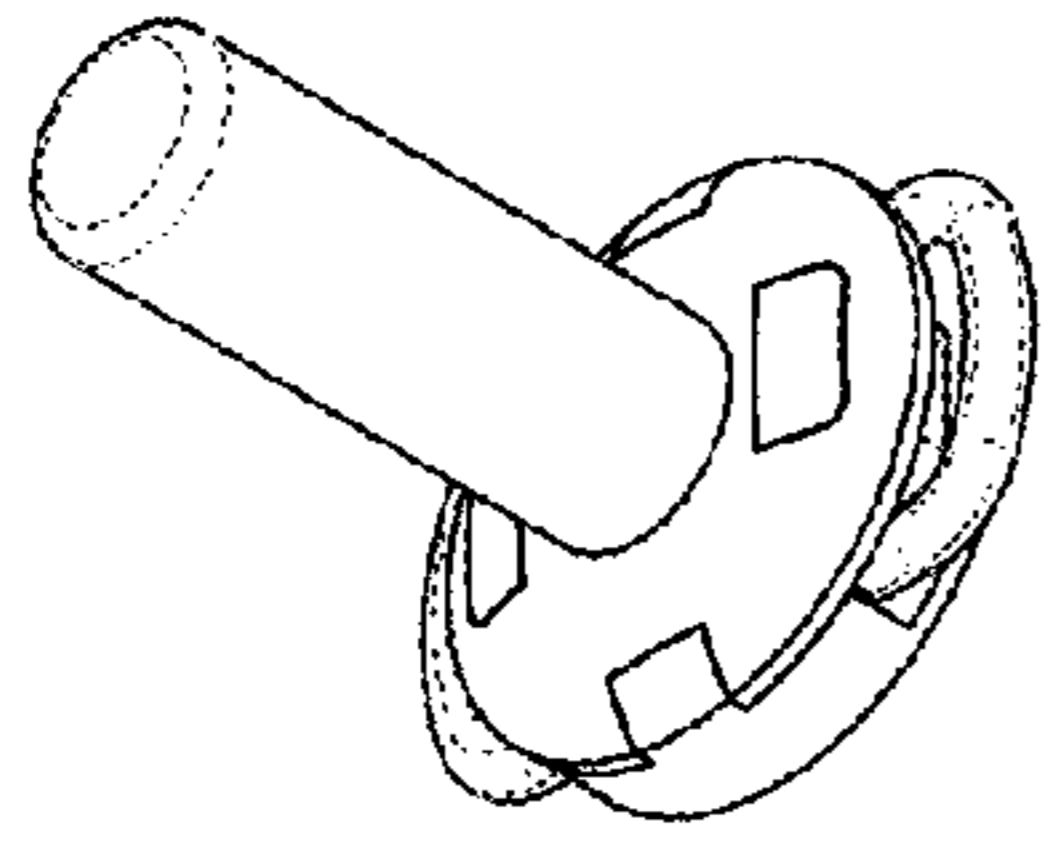


FIG. 1

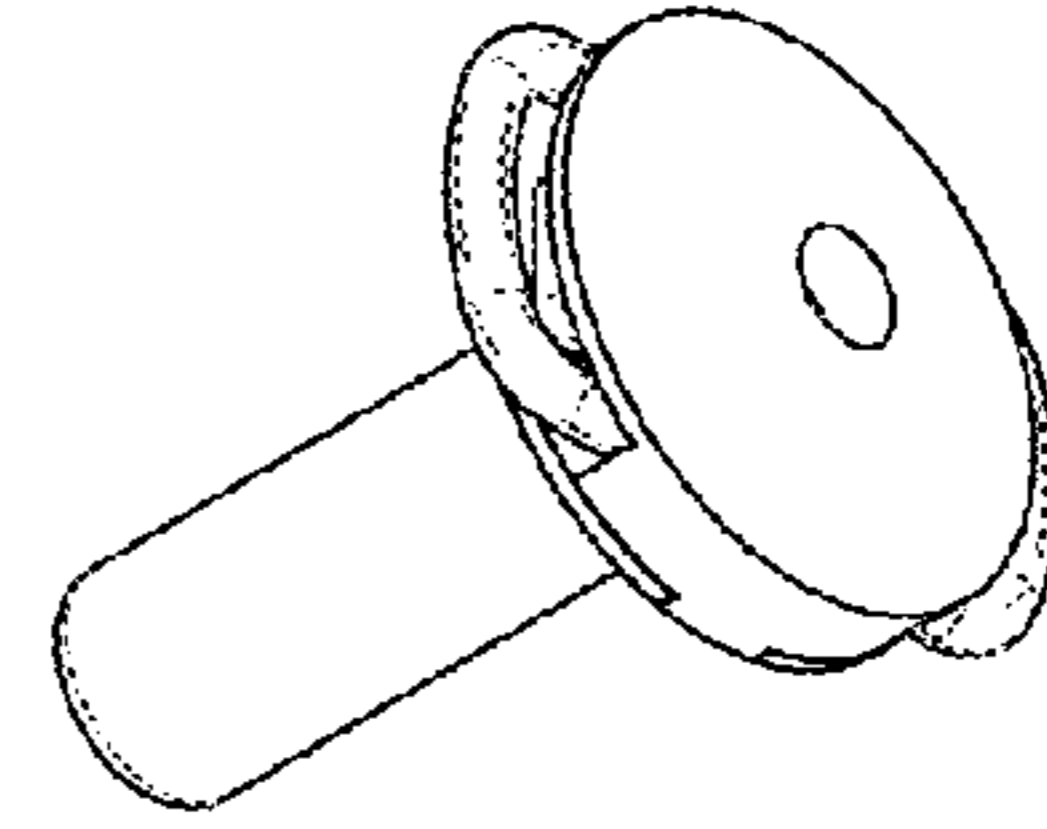


FIG. 2

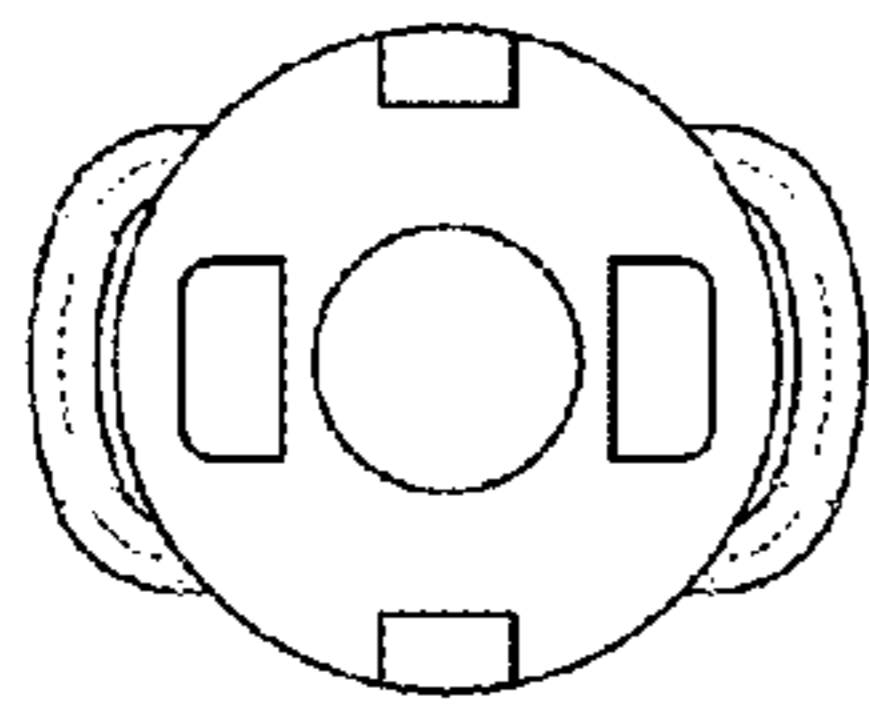


FIG. 3

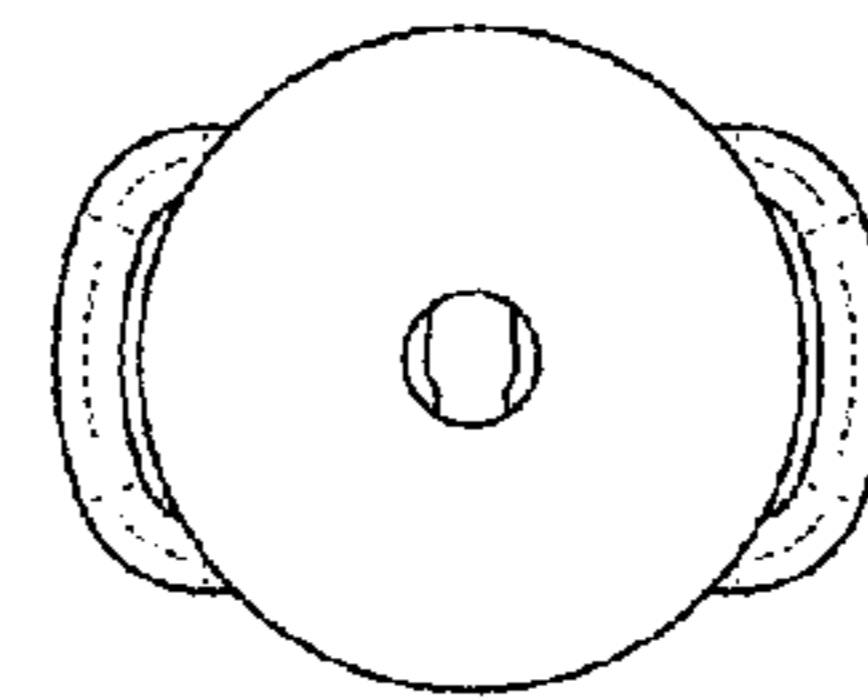


FIG. 5

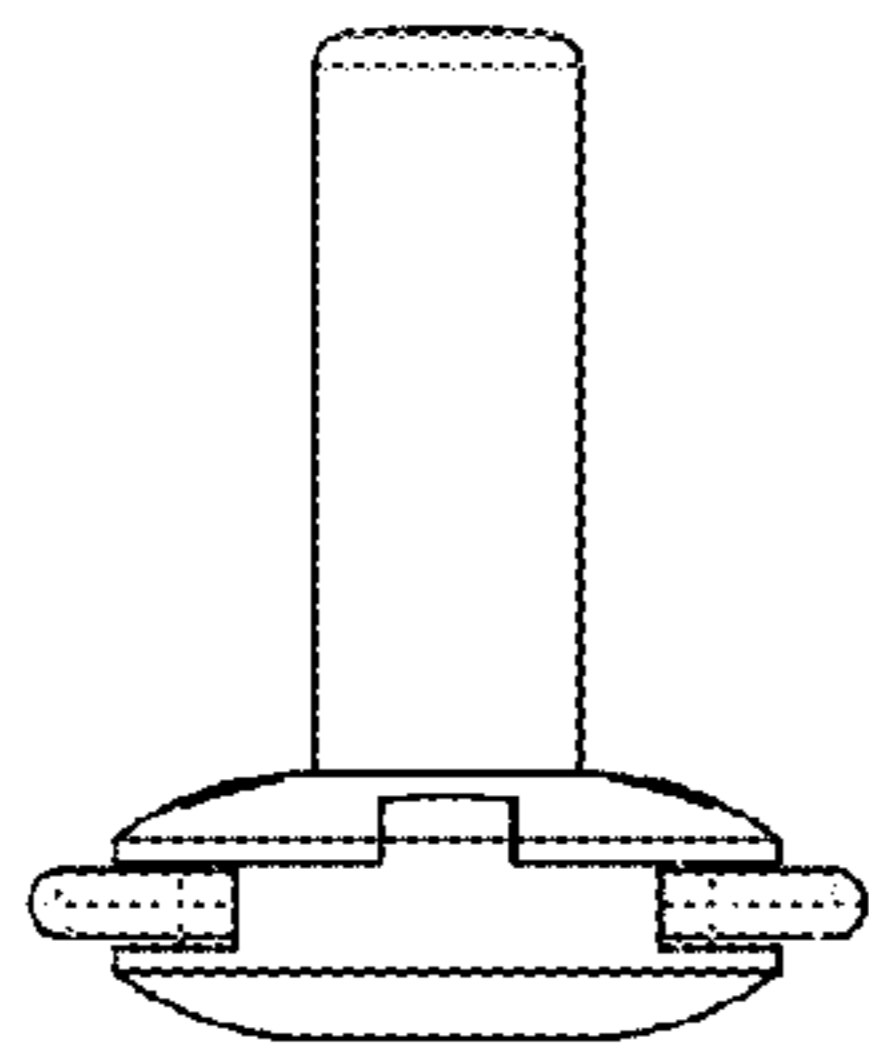


FIG. 4

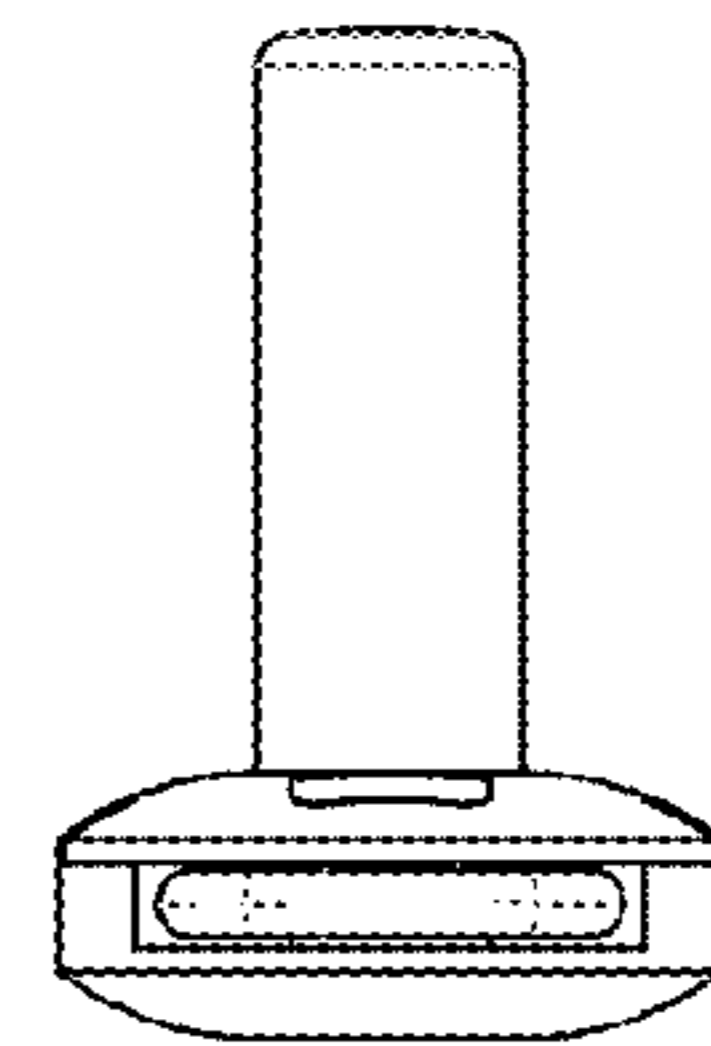


FIG. 6