



US00D709785S

(12) **United States Design Patent**
Stegmann

(10) **Patent No.:** **US D709,785 S**

(45) **Date of Patent:** **** Jul. 29, 2014**

(54) **WATCH DIAL**

(71) Applicant: **Glashütter Uhrenbetrieb GmbH**,
Glashütte (DE)

(72) Inventor: **Katharina Stegmann**, Paulsdorf (DE)

(73) Assignee: **Glashütter Uhrenbetrieb GmbH**,
Glashütte (DE)

(**) Term: **14 Years**

(21) Appl. No.: **29/462,471**

(22) Filed: **Aug. 5, 2013**

(30) **Foreign Application Priority Data**

Feb. 5, 2013 (WO) DM/080 075

(51) **LOC (10) CL.** **10-07**

(52) **U.S. CL.**
USPC **D10/126**

(58) **Field of Classification Search**

CPC G04B 19/06; G04B 19/12; G04B 19/10
USPC D10/30-39, 122-126; 368/223, 228,
368/232, 80

See application file for complete search history.

(56) **References Cited**

U.S. PATENT DOCUMENTS

D357,193	S	*	4/1995	Lefevre	D10/39
D371,080	S	*	6/1996	Gueit	D10/39
6,208,593	B1	*	3/2001	Liao	368/232
6,404,704	B1	*	6/2002	Bossel et al.	368/232
D464,276	S	*	10/2002	Mittersinker et al.	D10/39
D505,086	S	*	5/2005	Fernandez	D10/39
D515,947	S	*	2/2006	Jorst et al.	D10/39
D523,358	S	*	6/2006	Lillegard et al.	D10/39
D526,913	S	*	8/2006	Calvani	D10/39
D528,019	S	*	9/2006	Bedat	D10/39

D546,711	S	*	7/2007	Montgomery	D10/32
D596,049	S	*	7/2009	Jorst et al.	D10/32
D617,662	S	*	6/2010	Monachon	D10/32
D655,631	S	*	3/2012	Ruefenacht	D10/39
8,199,612	B2	*	6/2012	Jolidon	368/223
D674,710	S	*	1/2013	Monachon	D10/32

OTHER PUBLICATIONS

Wristwatch Annual, The Catalog of Producers, Prices, Models, and Specifications, 2008, Abbeville Press Publishers, p. 344, Piaget Emperor Coussin watch.*

* cited by examiner

Primary Examiner — Lucy Lieberman

(74) *Attorney, Agent, or Firm* — Donald J. Ranft; Collen IP

(57) **CLAIM**

The ornamental design for a watch dial, as shown.

DESCRIPTION

FIG. 1 is a front and right side perspective view of a watch dial showing a first embodiment of my new design;

FIG. 2 is a front view thereof;

FIG. 3 is a rear view thereof;

FIG. 4 is a left side view thereof;

FIG. 5 is a right side view thereof;

FIG. 6 is a top view thereof;

FIG. 7 is a bottom view thereof; and

FIG. 8 is a rear left perspective view thereof.

FIG. 9 is a front and right side perspective view of a second embodiment of the watch dial;

FIG. 10 is a front view thereof;

FIG. 11 is a rear view thereof;

FIG. 12 is a left side view thereof;

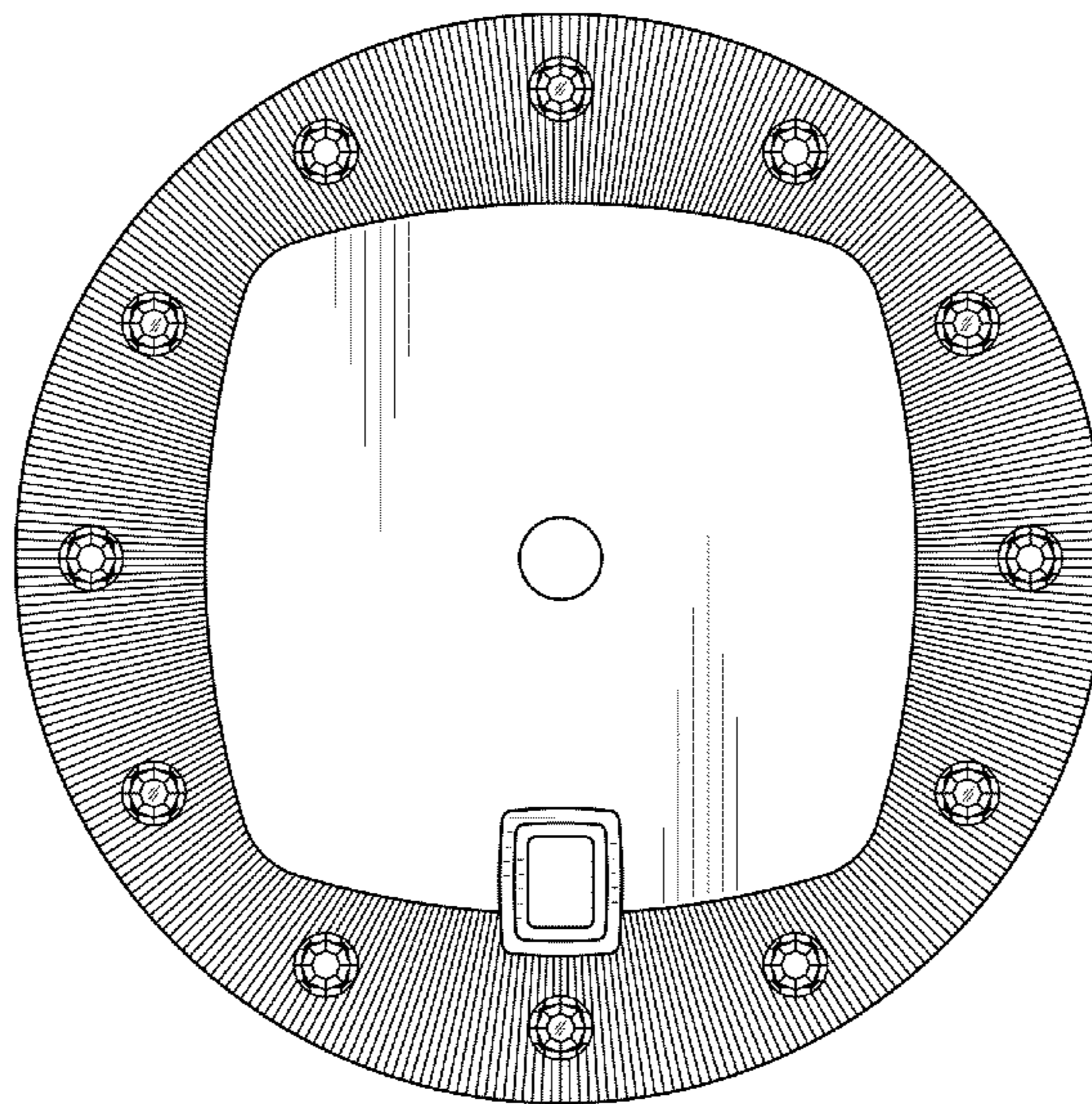
FIG. 13 is a right side view thereof;

FIG. 14 is a top view thereof;

FIG. 15 is a bottom view thereof; and,

FIG. 16 is a rear left perspective view thereof.

1 Claim, 8 Drawing Sheets



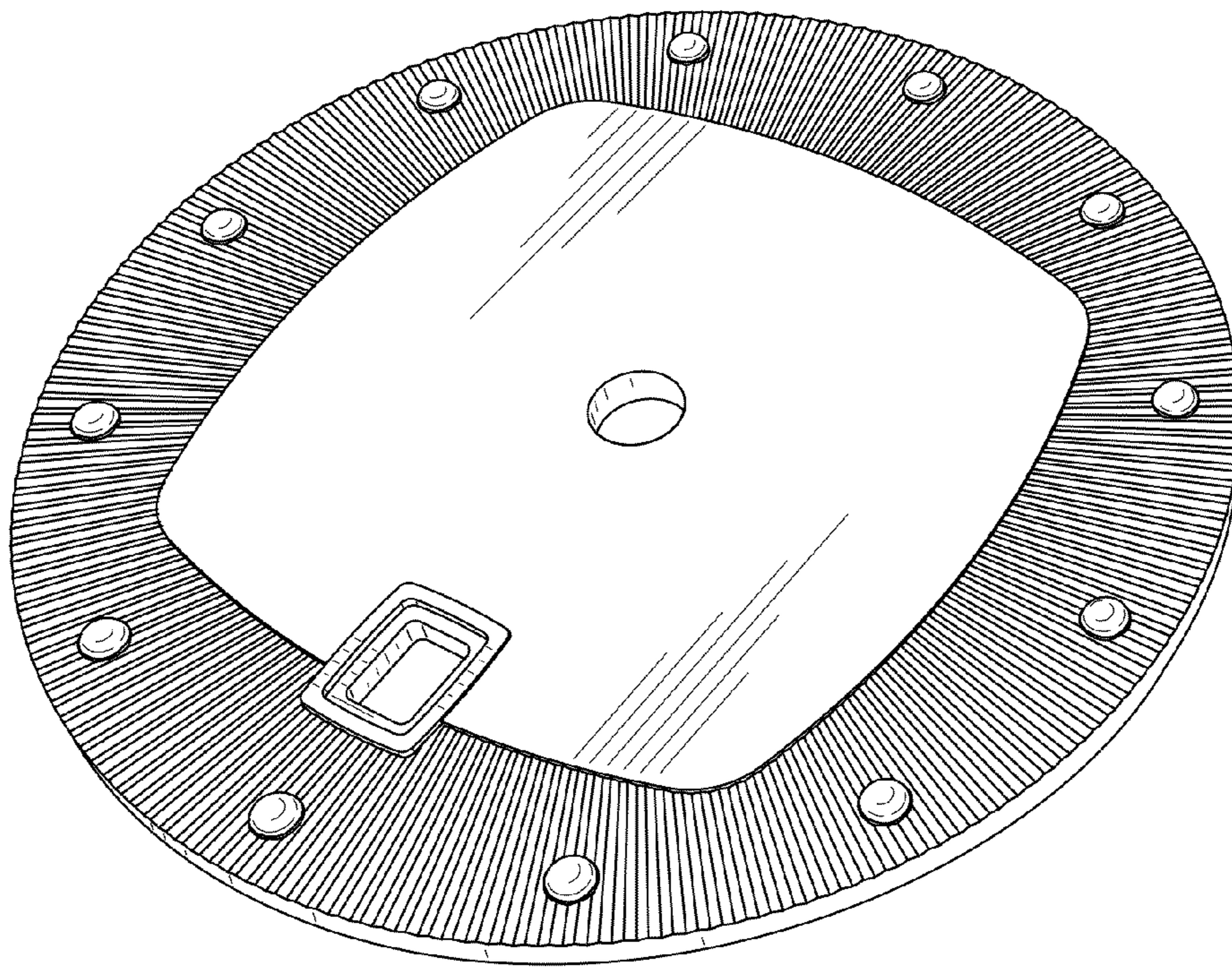


FIG. 1

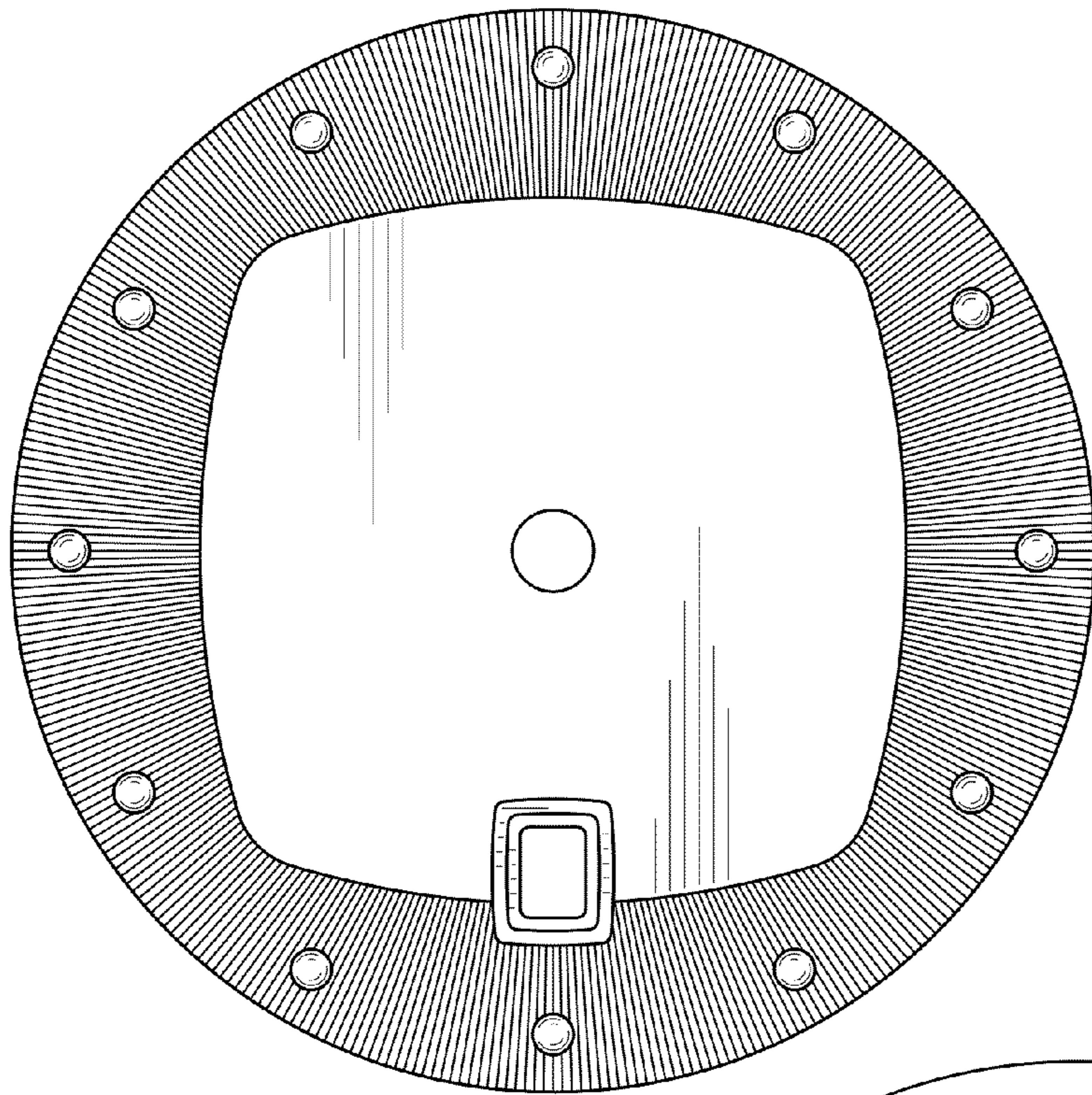


FIG. 2

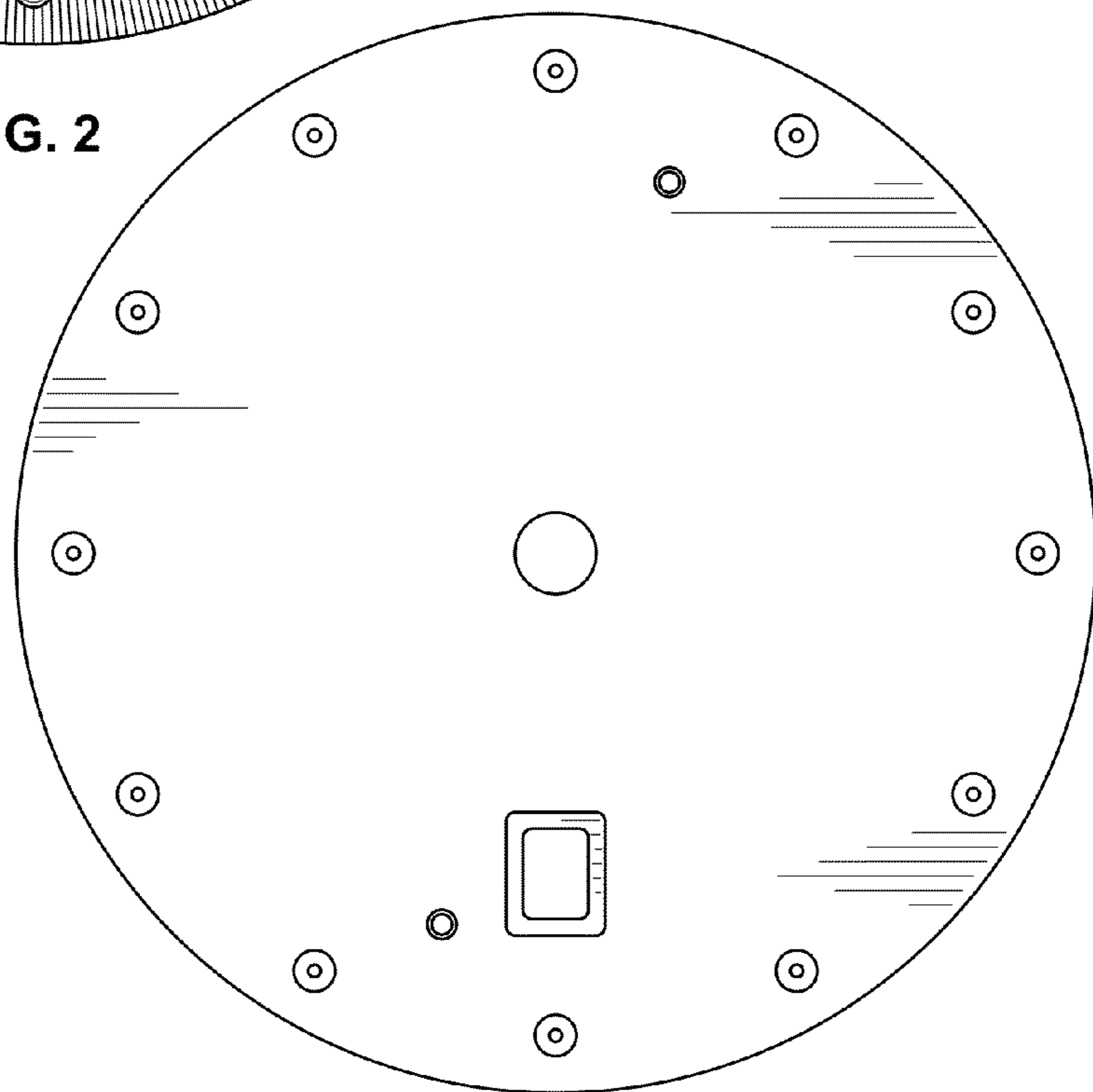


FIG. 3

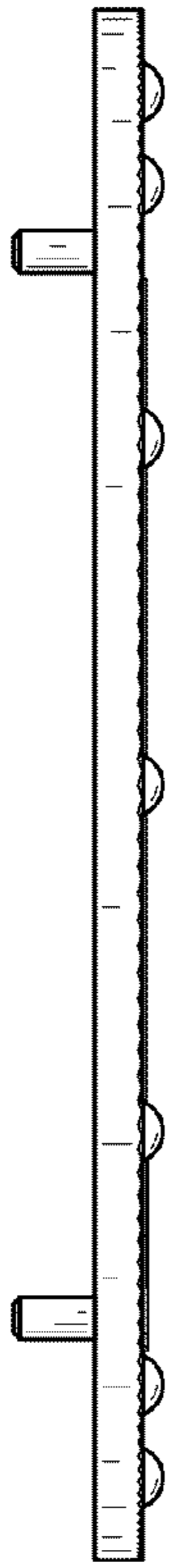


FIG. 4

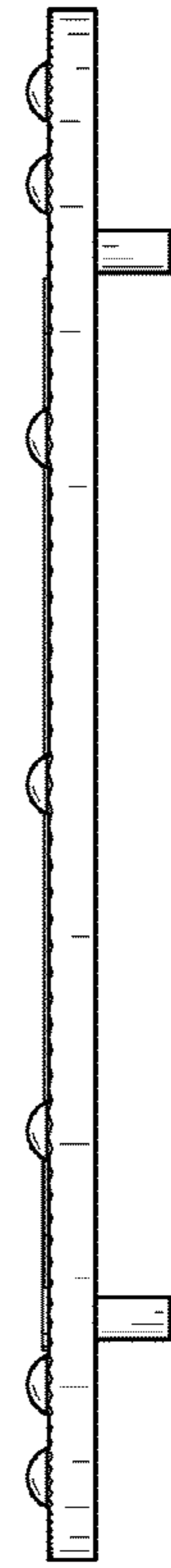


FIG. 5

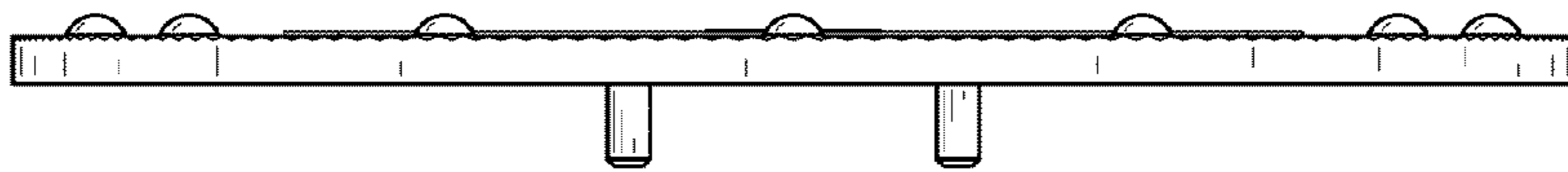


FIG. 6

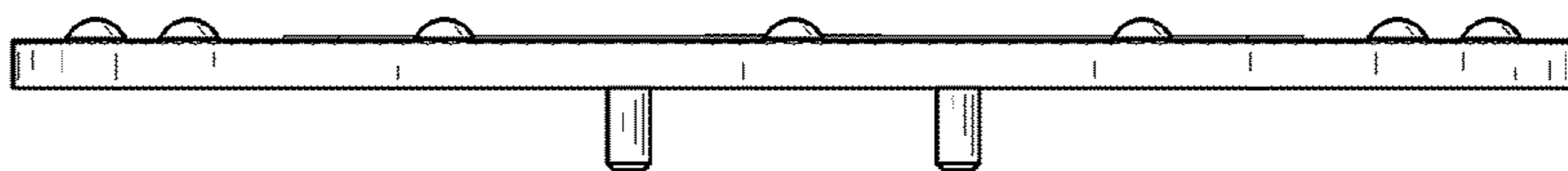


FIG. 7

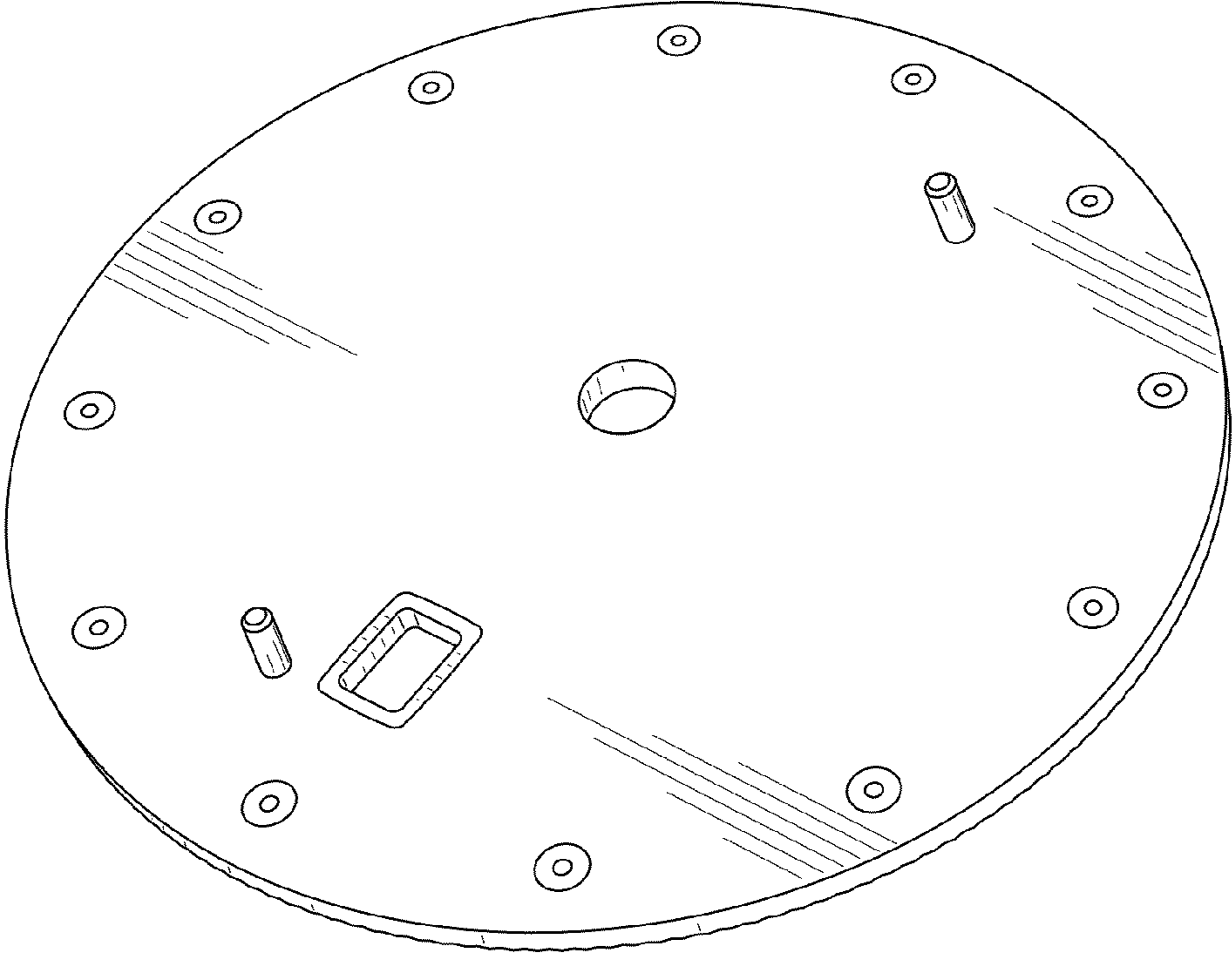


FIG. 8

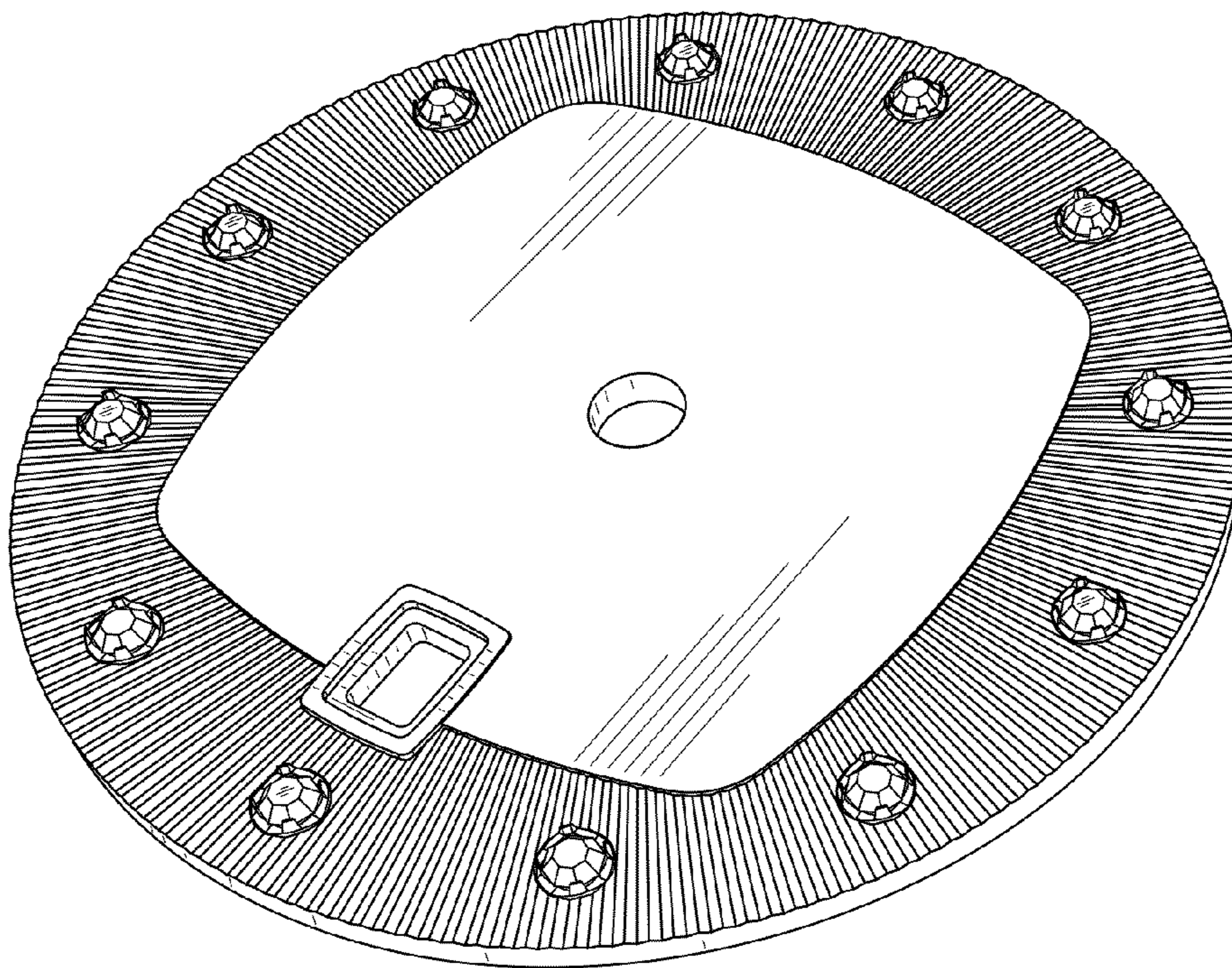


FIG. 9

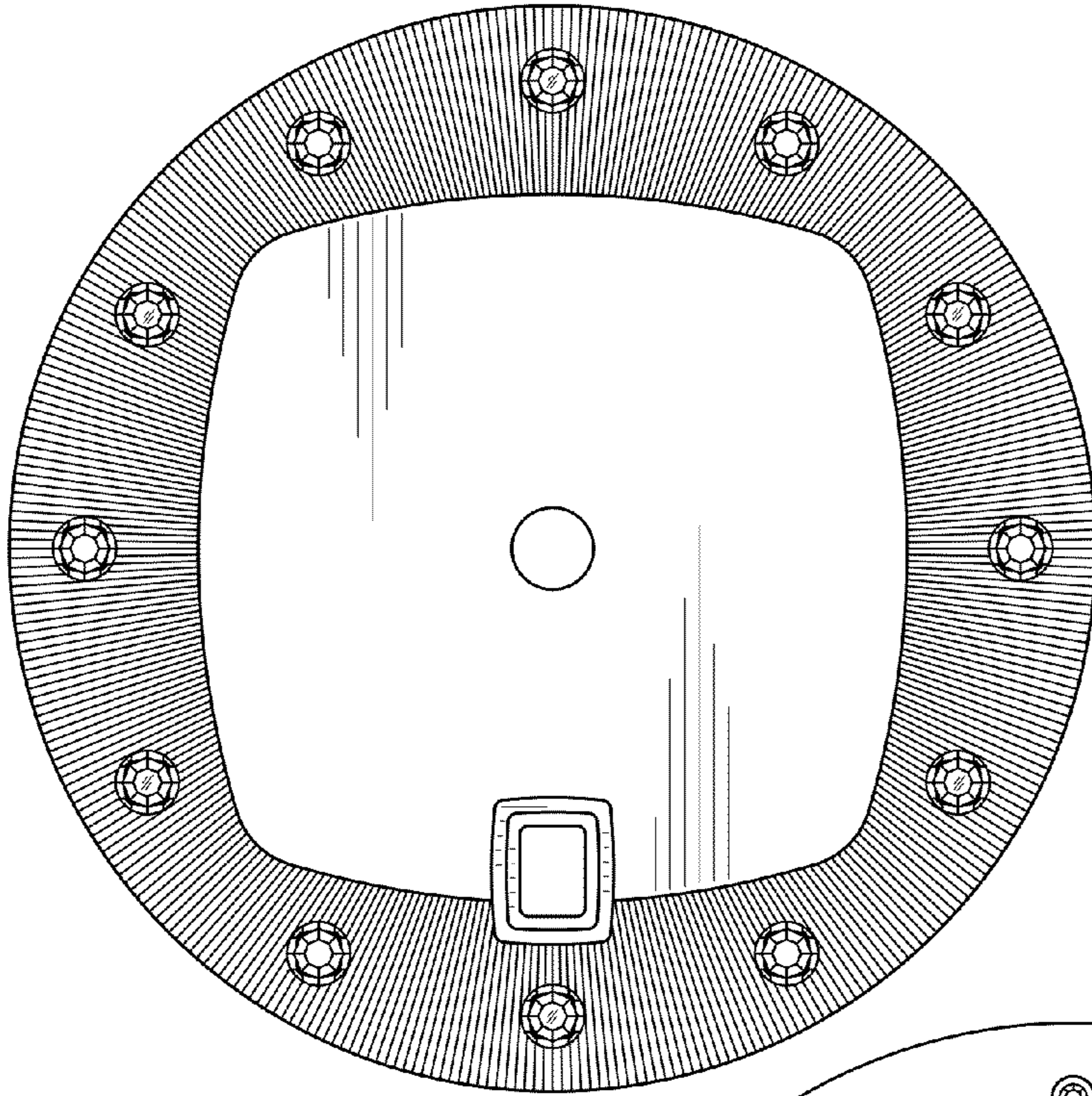


FIG. 10

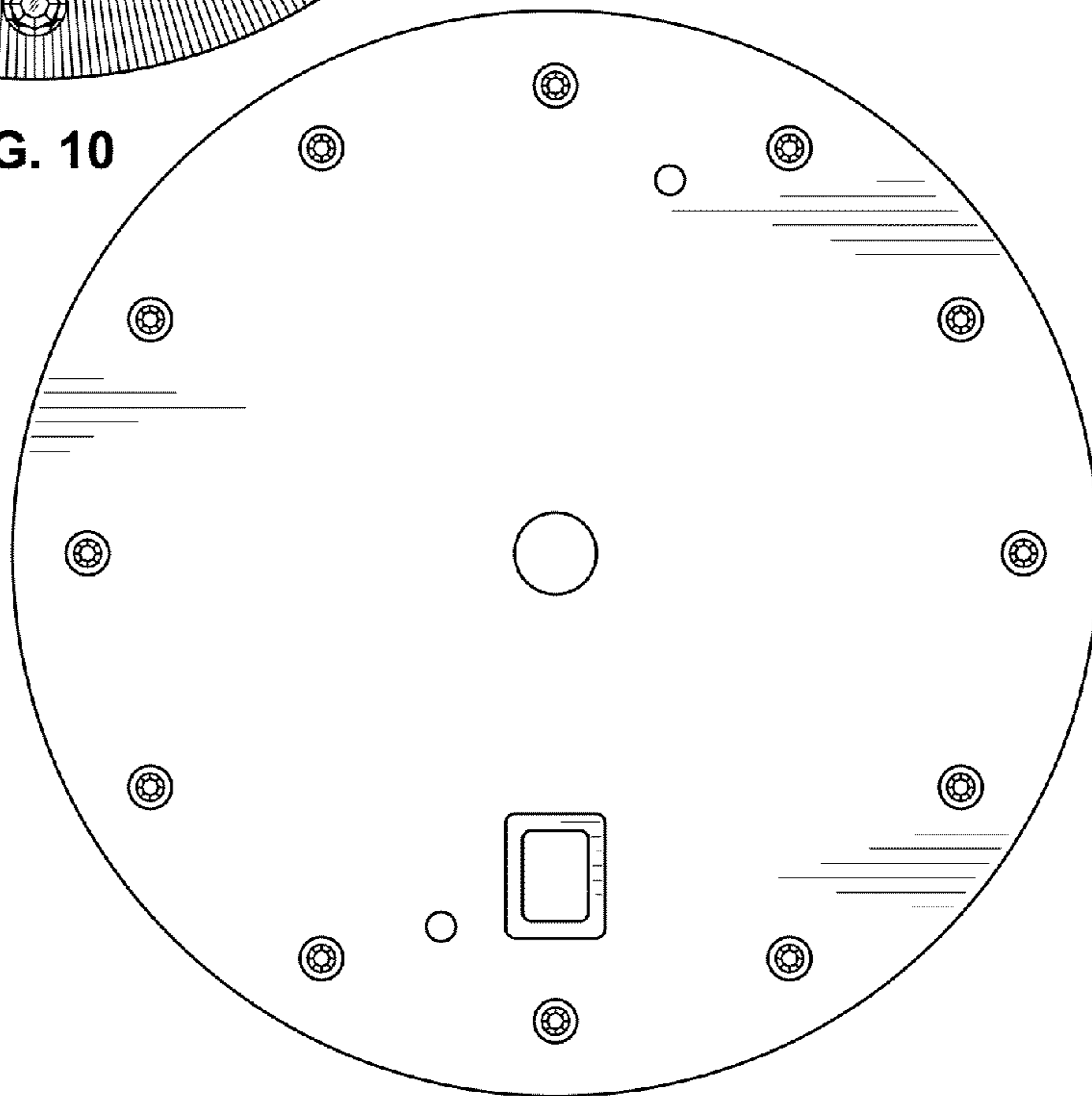


FIG. 11

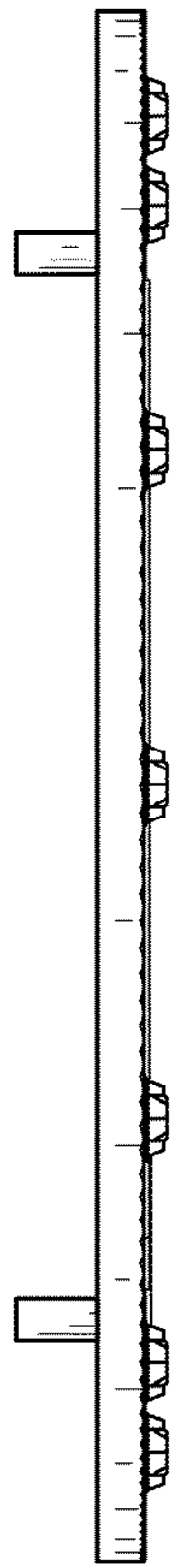


FIG. 12

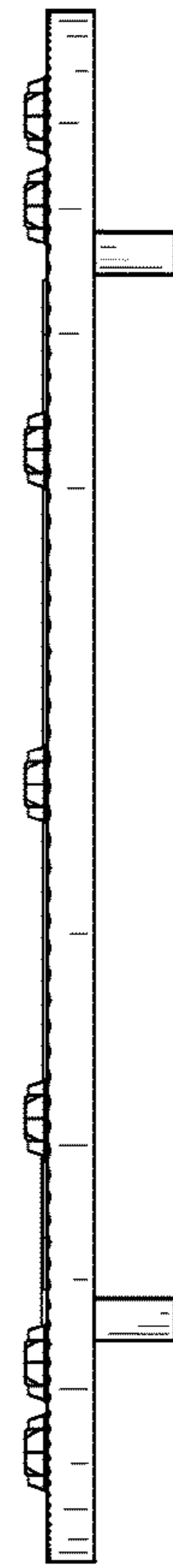


FIG. 13

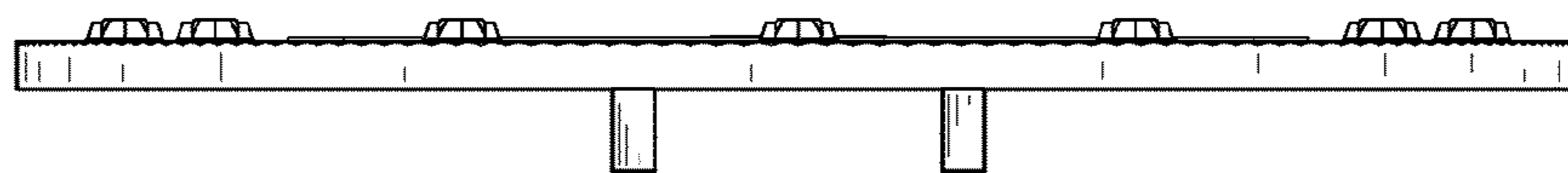


FIG. 14

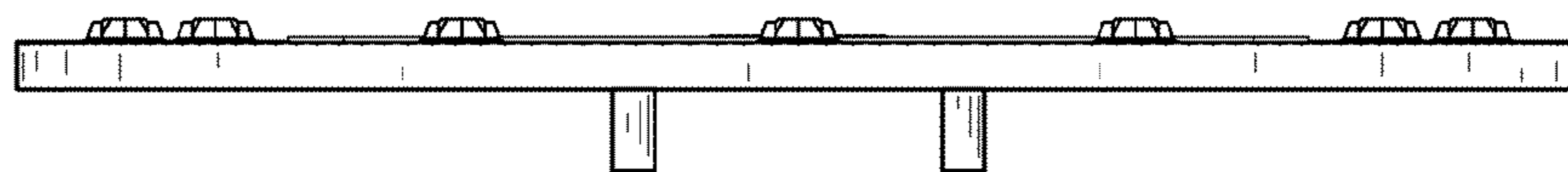


FIG. 15

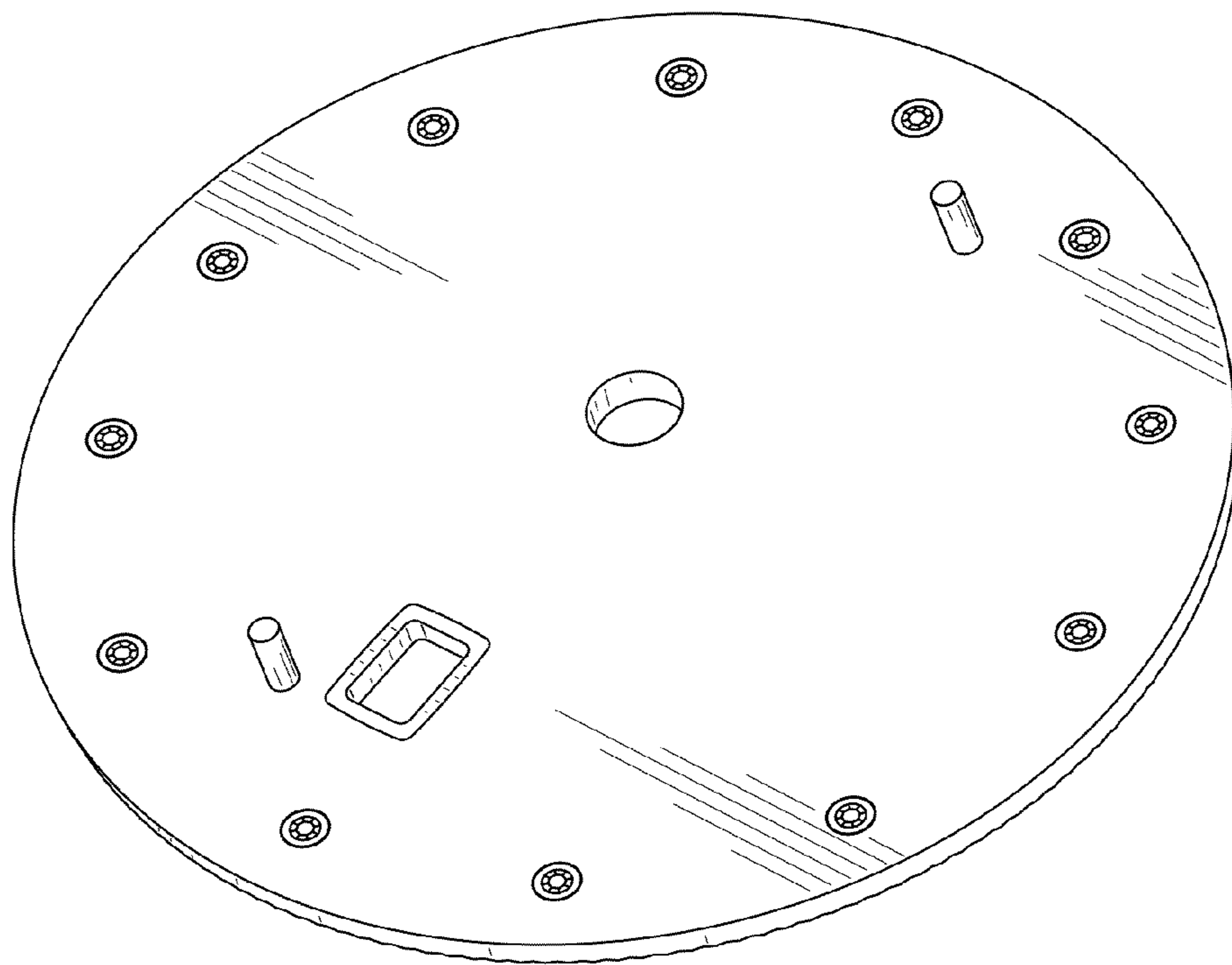


FIG. 16