



US00D709783S

(12) **United States Design Patent**  
**Stuffle**

(10) **Patent No.:** **US D709,783 S**

(45) **Date of Patent:** **\*\* Jul. 29, 2014**

(54) **WARNING SIREN**

(71) Applicant: **WERMA Holding GmbH + Co. KG,**  
Rietheim-Weilheim (DE)

(72) Inventor: **Werner Stuffle,** DE-Balgheim (DE)

(73) Assignee: **WERMA Holding GmbH + Co. KG,**  
Rietheim-Weilheim (DE)

(\*\*) Term: **14 Years**

(21) Appl. No.: **29/442,022**

(22) Filed: **Nov. 15, 2012**

(30) **Foreign Application Priority Data**

May 16, 2012 (DE) ..... 40 2012 002 247

(51) **LOC (10) Cl.** ..... **10-05**

(52) **U.S. Cl.**  
USPC ..... **D10/120**

(58) **Field of Classification Search**  
USPC ..... D10/116.1-120; 340/388.1; 116/142 FP,  
116/142 R; 367/140

See application file for complete search history.

(56) **References Cited**

U.S. PATENT DOCUMENTS

D99,177 S \* 4/1936 Armstrong ..... D10/120  
D224,276 S \* 7/1972 Kahn ..... D10/120  
5,146,434 A \* 9/1992 Bromley ..... 367/140

\* cited by examiner

*Primary Examiner* — George D Kirschbaum

(74) *Attorney, Agent, or Firm* — Breneman & Georges

(57) **CLAIM**

The ornamental design for a warning siren, as shown and described.

**DESCRIPTION**

FIG. 1 is a perspective side view of a warning siren showing my new design;

FIG. 2 is a right side elevational view thereof with the left side being a mirror image thereof;

FIG. 3 is a front elevational view thereof;

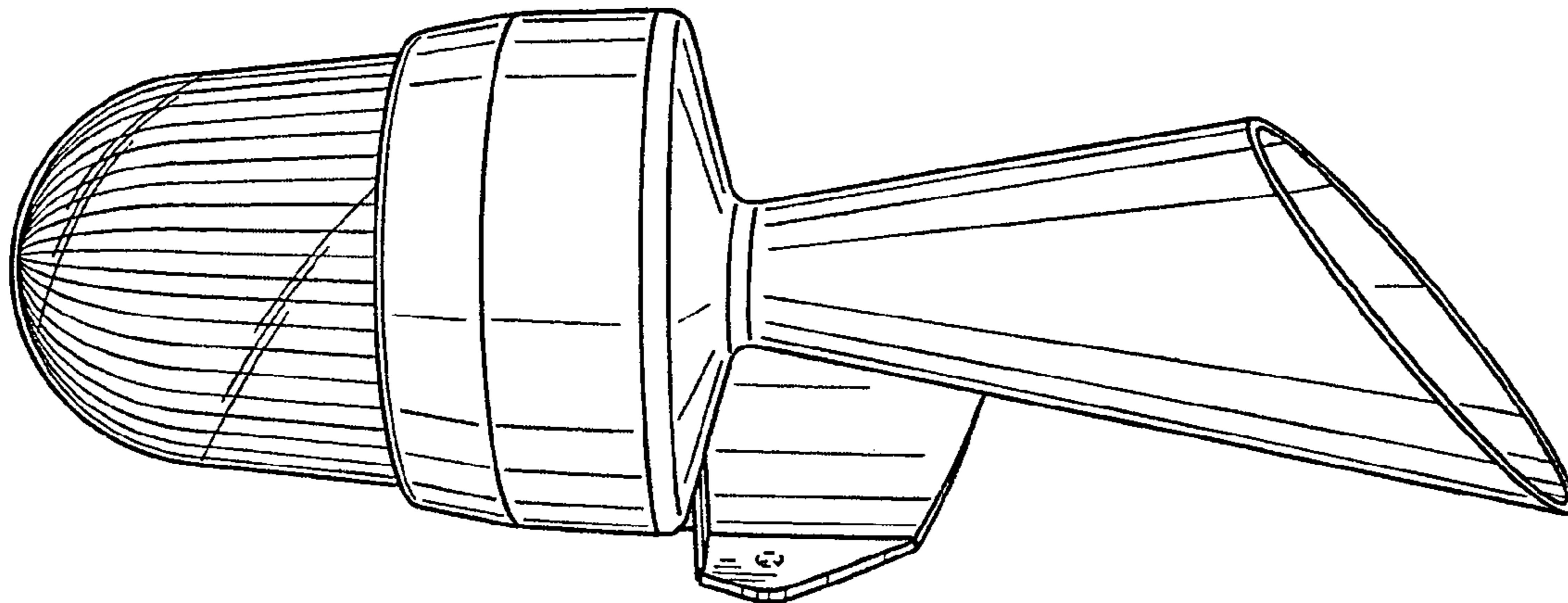
FIG. 4 is a rear elevational view thereof;

FIG. 5 is a top plan view thereof; and,

FIG. 6 is a bottom plan view thereof.

The broken line showing of mounting holes is included for the purpose of illustrating portions of the "article" and forms no part of the claimed design.

**1 Claim, 3 Drawing Sheets**



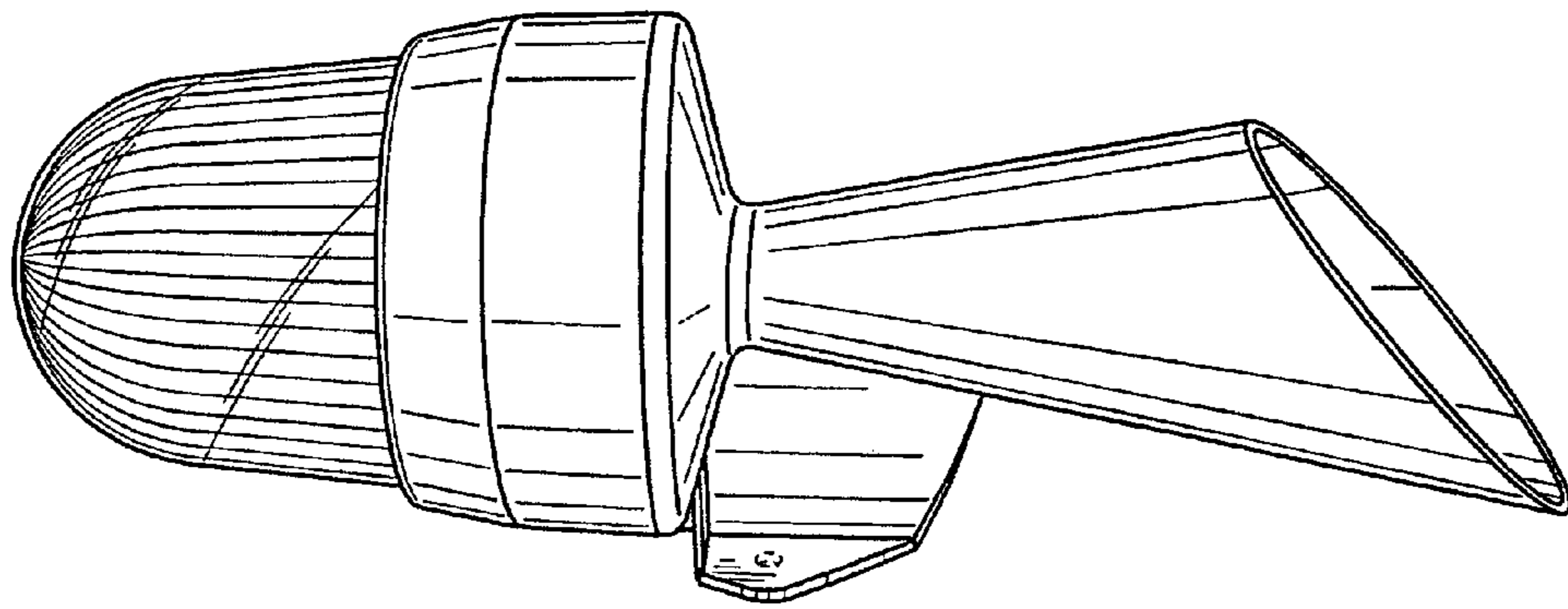


Fig. 1

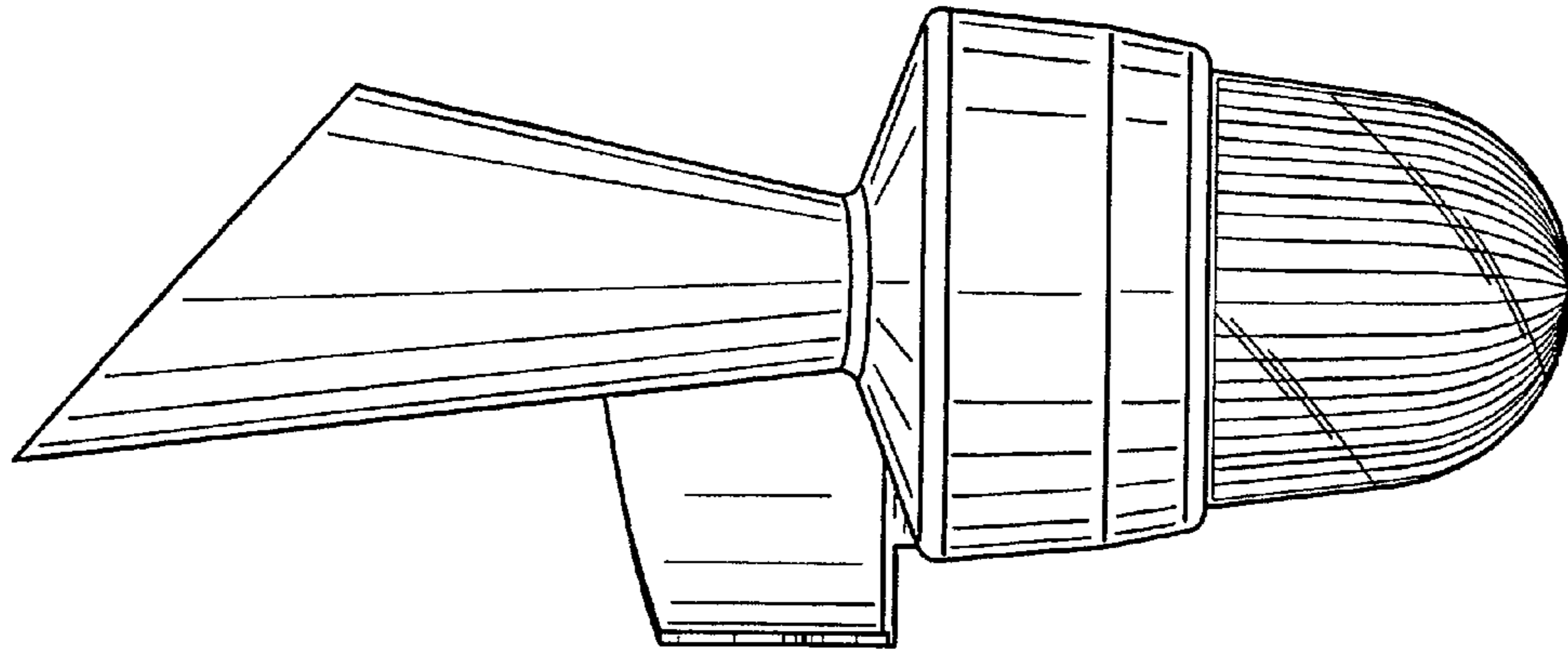


Fig. 2

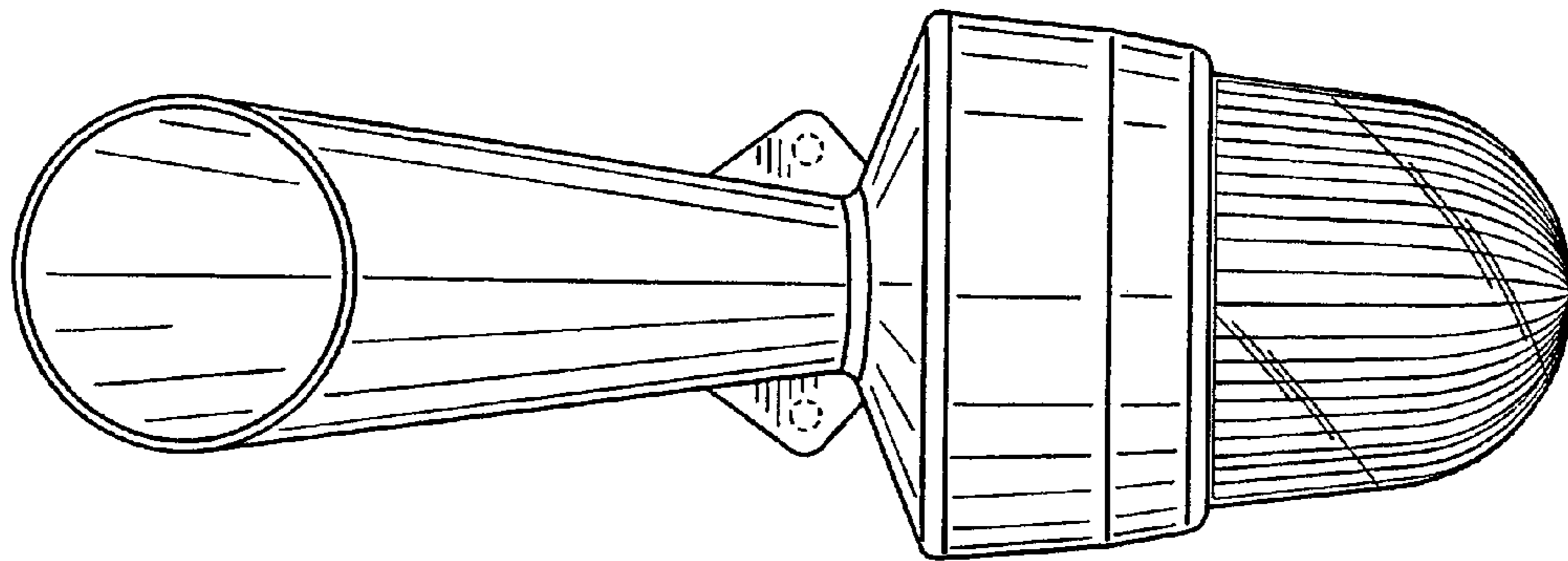


Fig. 3

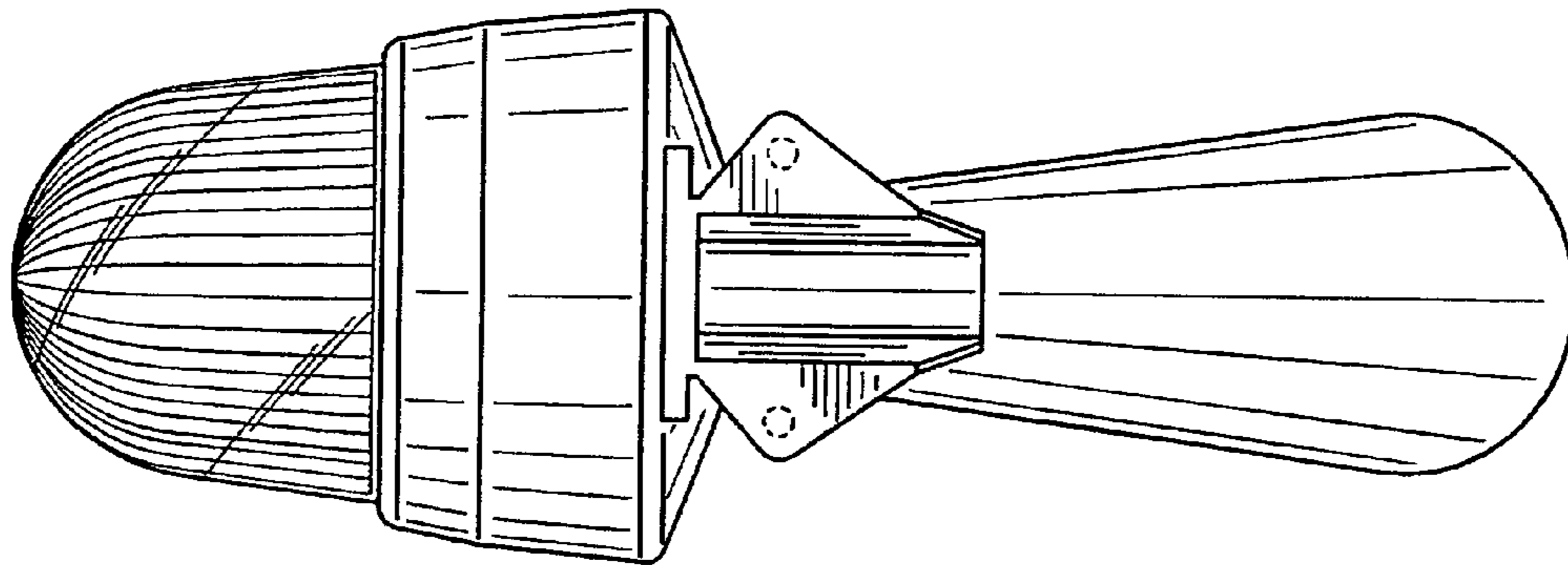


Fig. 4

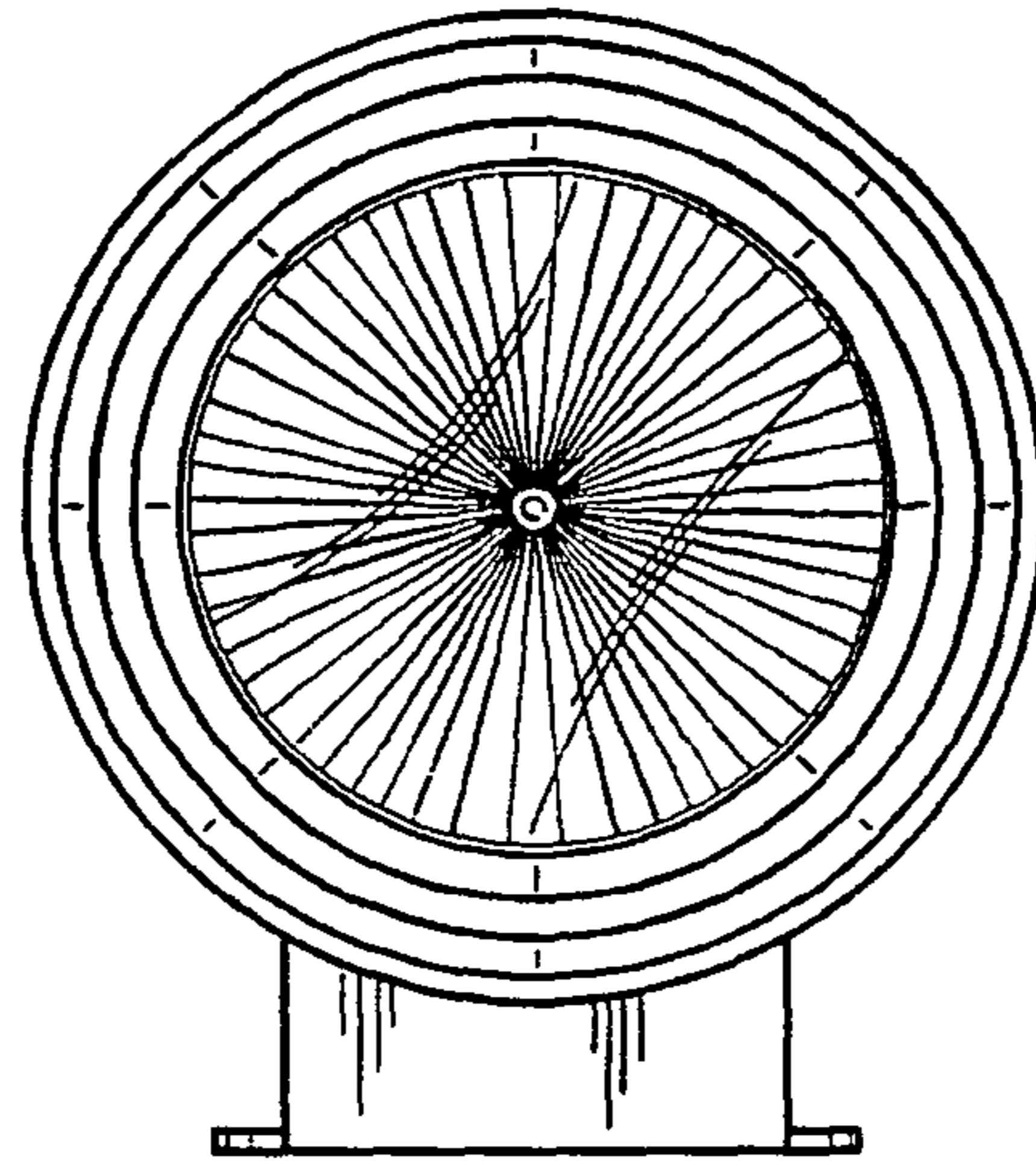


Fig. 5

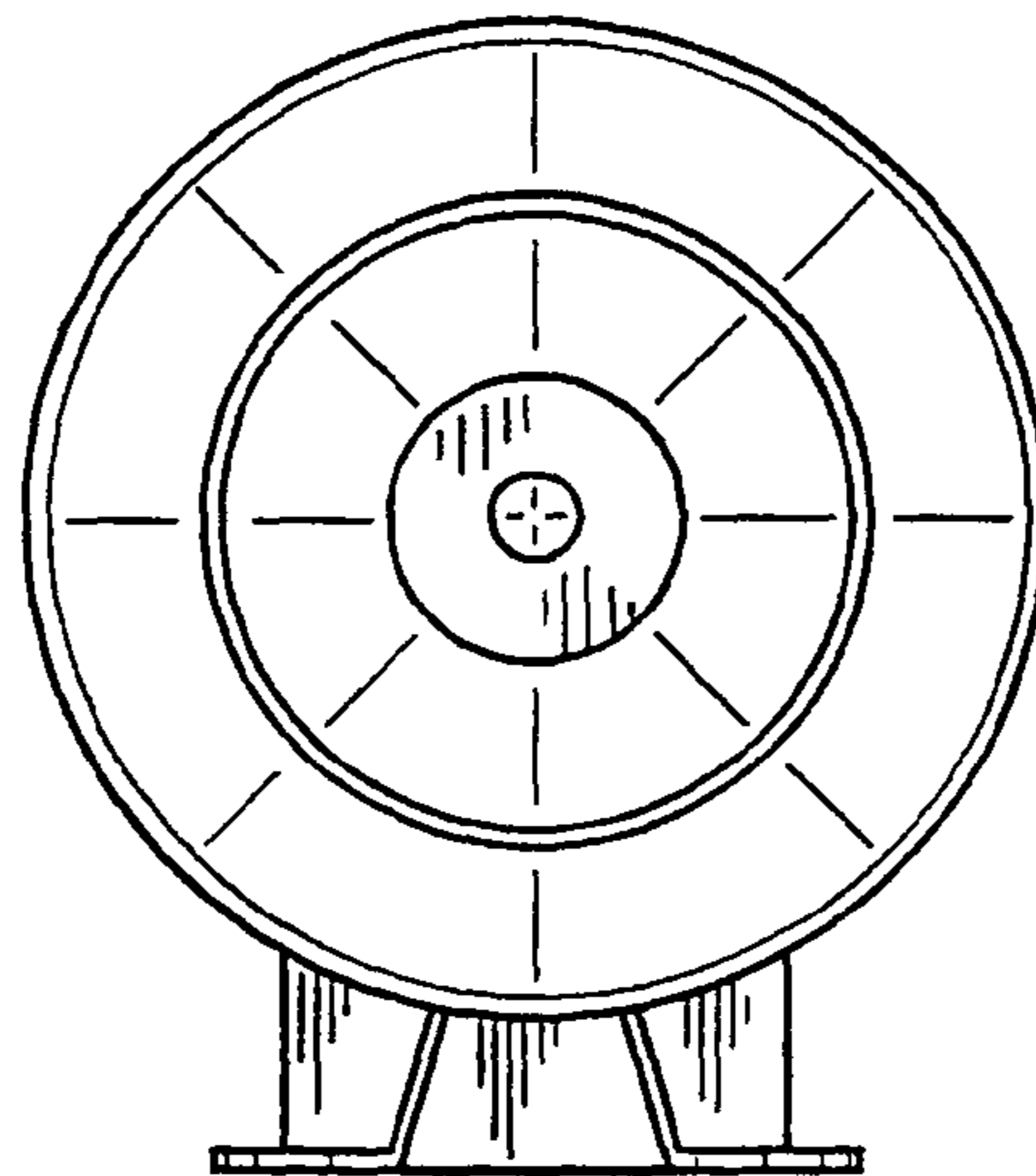


Fig. 6