



US00D709781S

(12) **United States Design Patent**
Chung

(10) **Patent No.:** **US D709,781 S**
(45) **Date of Patent:** **** Jul. 29, 2014**

(54) **GROUNDING CONDUCTOR**

(71) Applicant: **Young-ki Chung**, Seoul (KR)

(72) Inventor: **Young-ki Chung**, Seoul (KR)

(**) Term: **14 Years**

(21) Appl. No.: **29/453,322**

(22) Filed: **Apr. 26, 2013**

(30) **Foreign Application Priority Data**

Mar. 19, 2013 (KR) 30-2013-0013857

(51) **LOC (10) Cl.** **10-05**

(52) **U.S. Cl.**
USPC **D10/105**

(58) **Field of Classification Search**
USPC D10/105, 121; D30/124; 428/28; 174/3
See application file for complete search history.

(56) **References Cited**

U.S. PATENT DOCUMENTS

492,512 A * 2/1893 Hum 428/28
D56,715 S * 11/1920 Thompson D10/121
D428,537 S * 7/2000 Miller D30/124
D497,116 S * 10/2004 Chung D10/105
D558,625 S * 1/2008 Chung D10/105

D567,689 S * 4/2008 Chung D10/105
2004/0238193 A1 * 12/2004 Panico et al. 174/3

* cited by examiner

Primary Examiner — George D Kirschbaum

(57) **CLAIM**

The ornamental design for a grounding conductor, as shown and described.

DESCRIPTION

FIG. 1 is a perspective view of an grounding conductor showing my new design;

FIG. 2 is a front side view of the grounding conductor shown in FIG. 1;

FIG. 3 is a rear side view of the grounding conductor shown in FIG. 1;

FIG. 4 is a left side view of the grounding conductor shown in FIG. 1;

FIG. 5 is a right side view of the grounding conductor shown in FIG. 1;

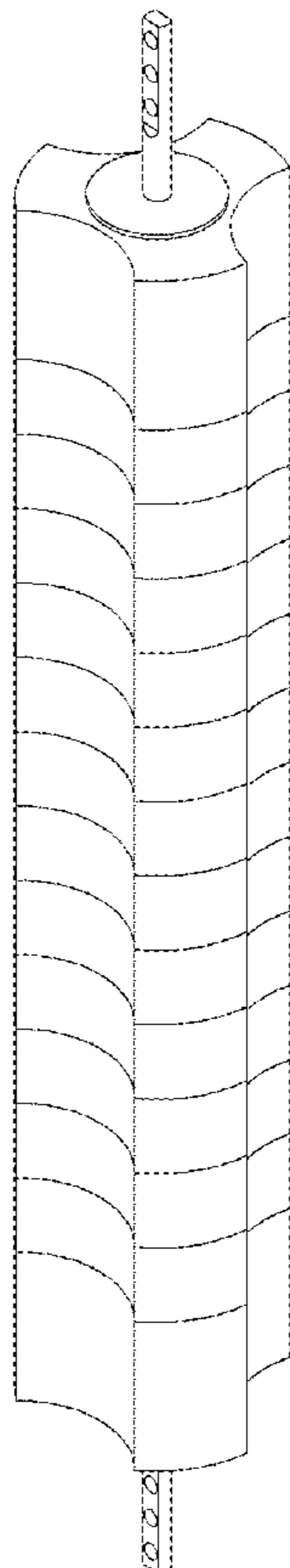
FIG. 6 is a top view of the grounding conductor shown in FIG. 1;

FIG. 7 is a bottom view of the grounding conductor shown in FIG. 1; and

FIG. 8 is a cross sectional view taken along the line 8-8 in FIG. 6; and,

FIG. 9 is an enlarged view taken along the lines 9-9 in FIG. 8.

1 Claim, 8 Drawing Sheets



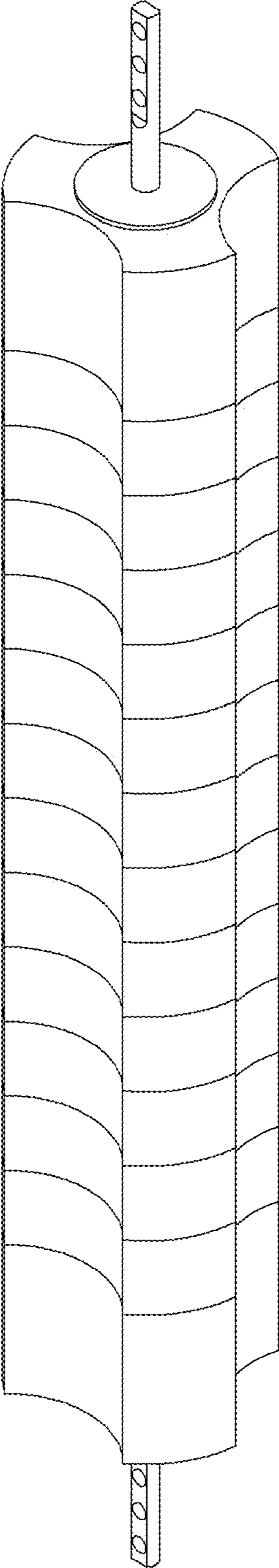


FIG. 1

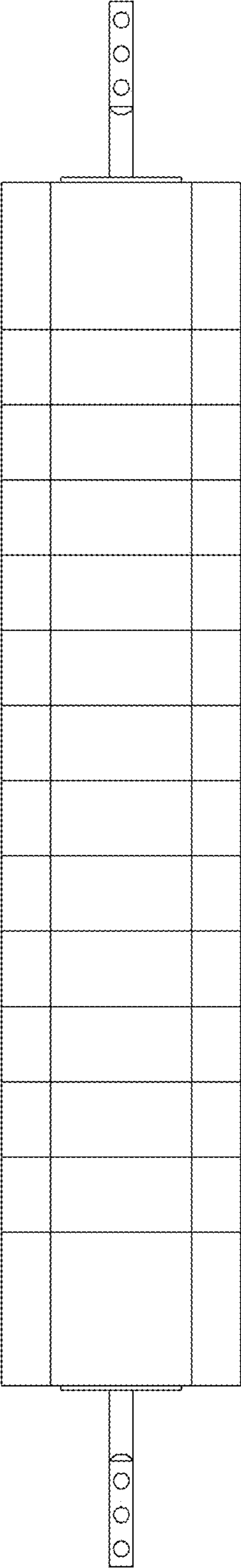


FIG. 2

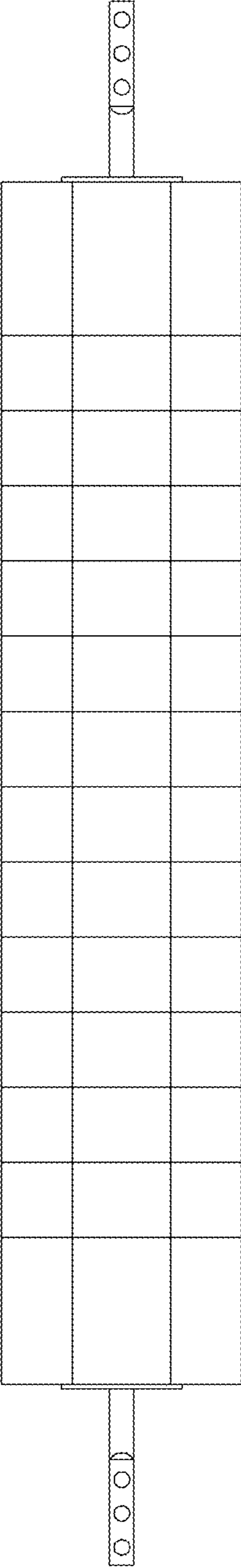


FIG. 3

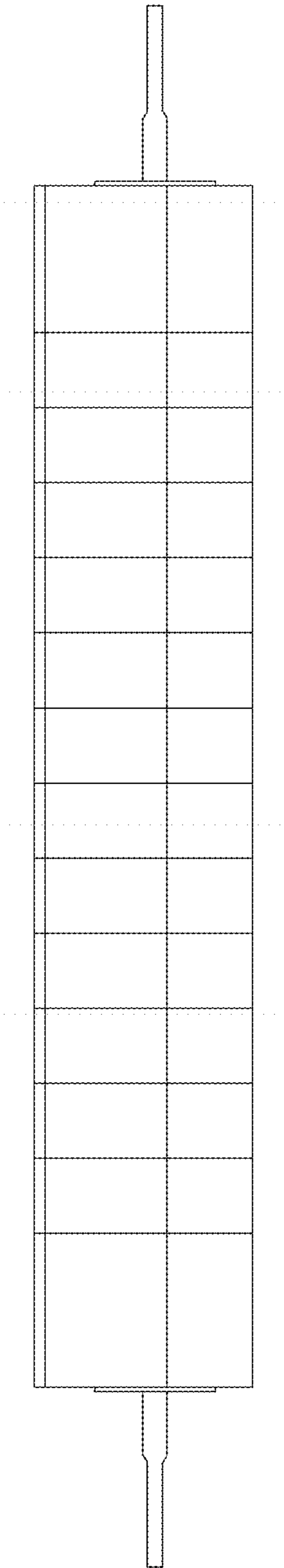


FIG. 4

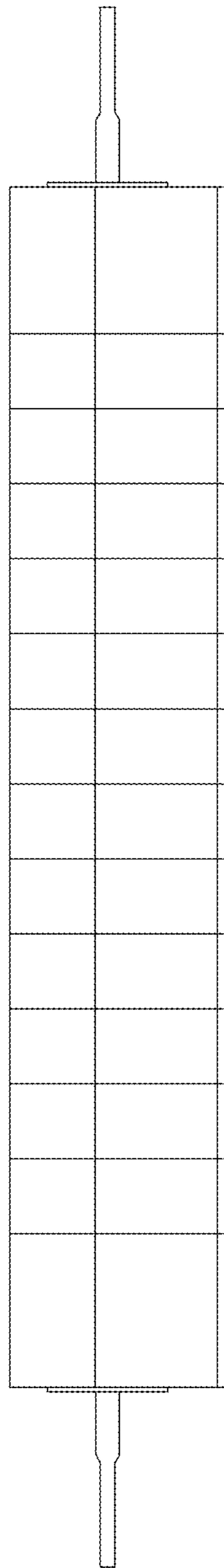


FIG. 5

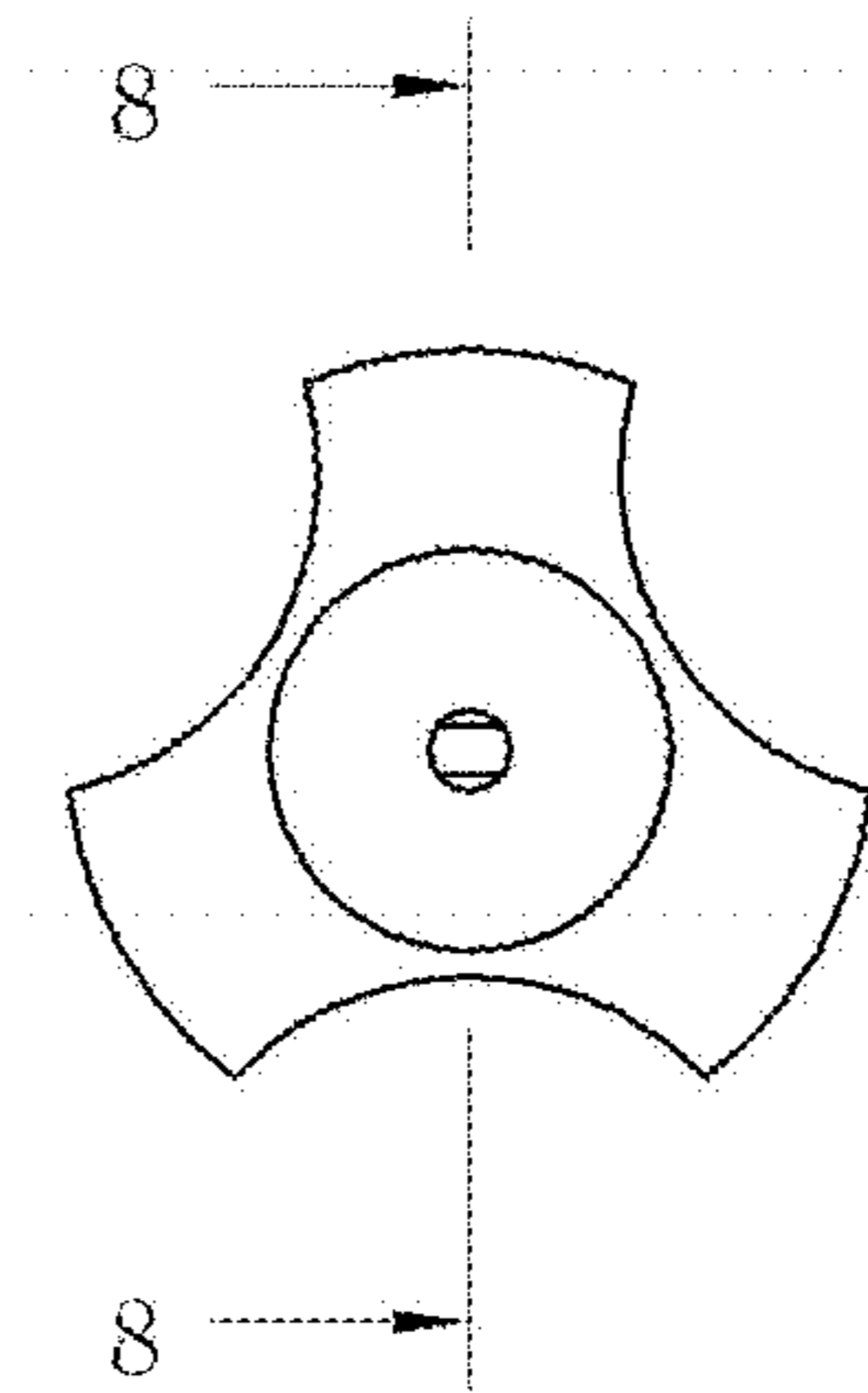


FIG. 6

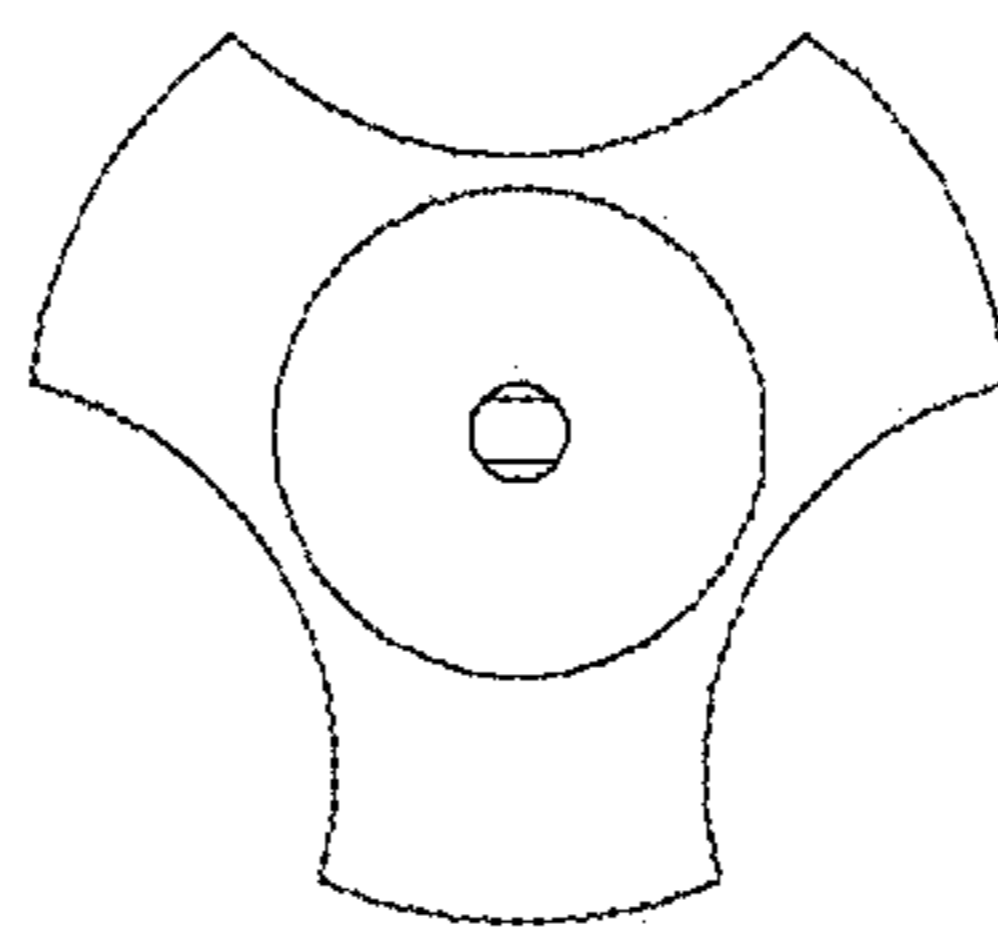


FIG. 7

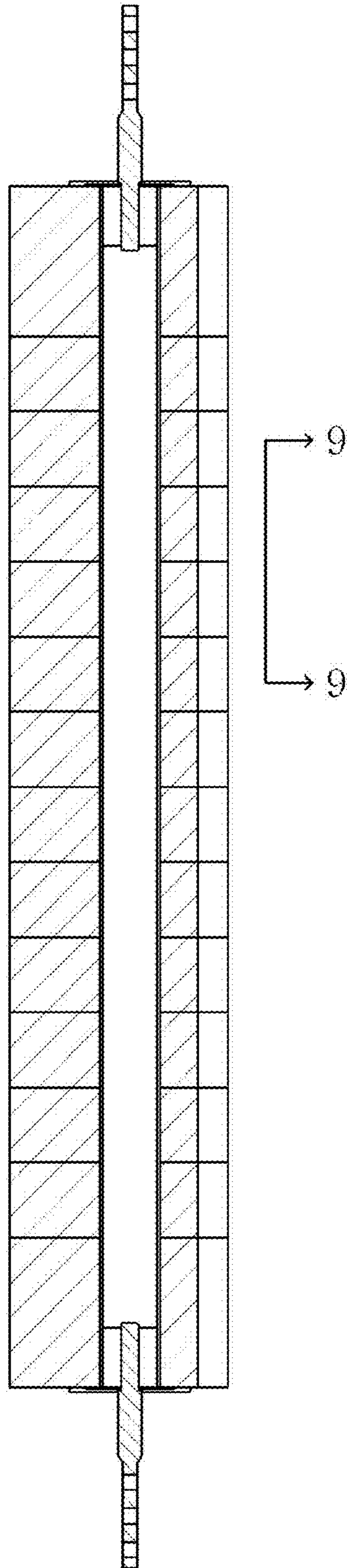


FIG. 8

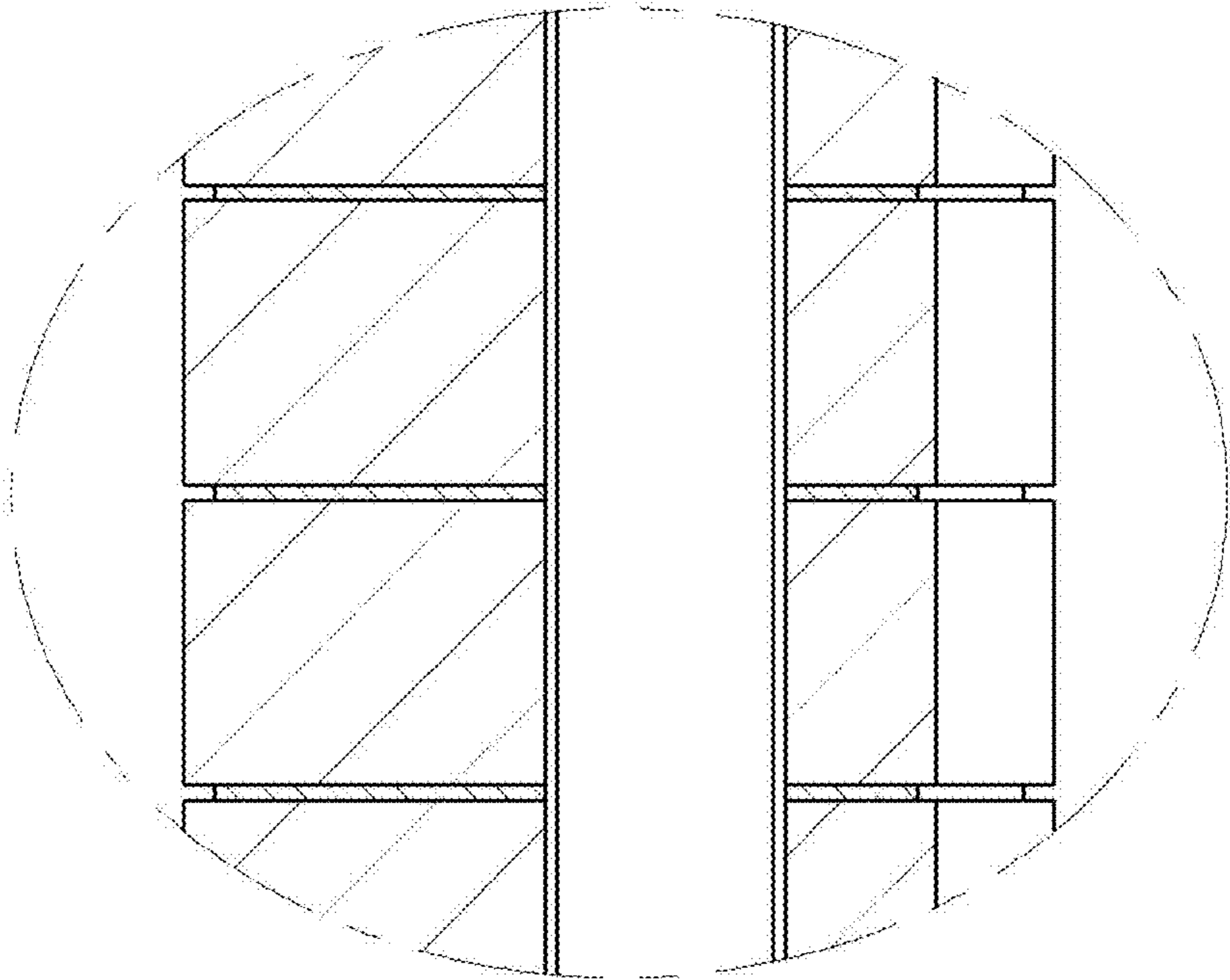


FIG. 9