



US00D709780S

(12) **United States Design Patent**
Hogg

(10) **Patent No.:** **US D709,780 S**
(45) **Date of Patent:** **** Jul. 29, 2014**

(54) **PERSONAL ALERT SAFETY SYSTEM**

(56) **References Cited**

(71) Applicant: **Draeger Safety UK Limited**, Blyth (GB)

U.S. PATENT DOCUMENTS

(72) Inventor: **Simon C. Hogg**, Monkseaton (GB)

5,541,579 A *	7/1996	Kiernan	340/573.1
D420,301 S *	2/2000	Henderson	D10/104.1
D666,367 S *	8/2012	Miller et al.	D30/152
D673,473 S *	1/2013	Hogg	D10/104.1
2013/0257612 A1 *	10/2013	Finet	340/539.11

(73) Assignee: **Draeger Safety UK Limited** (GB)

* cited by examiner

(**) Term: **14 Years**

Primary Examiner — George D Kirschbaum

(21) Appl. No.: **29/467,340**

(74) *Attorney, Agent, or Firm* — DLA Piper LLP (US)

(22) Filed: **Sep. 18, 2013**

(57) **CLAIM**

The ornamental design for a personal alert safety system, as shown and described.

(30) **Foreign Application Priority Data**

DESCRIPTION

Mar. 19, 2013 (EM) 002205393

(51) **LOC (10) Cl.** **10-05**

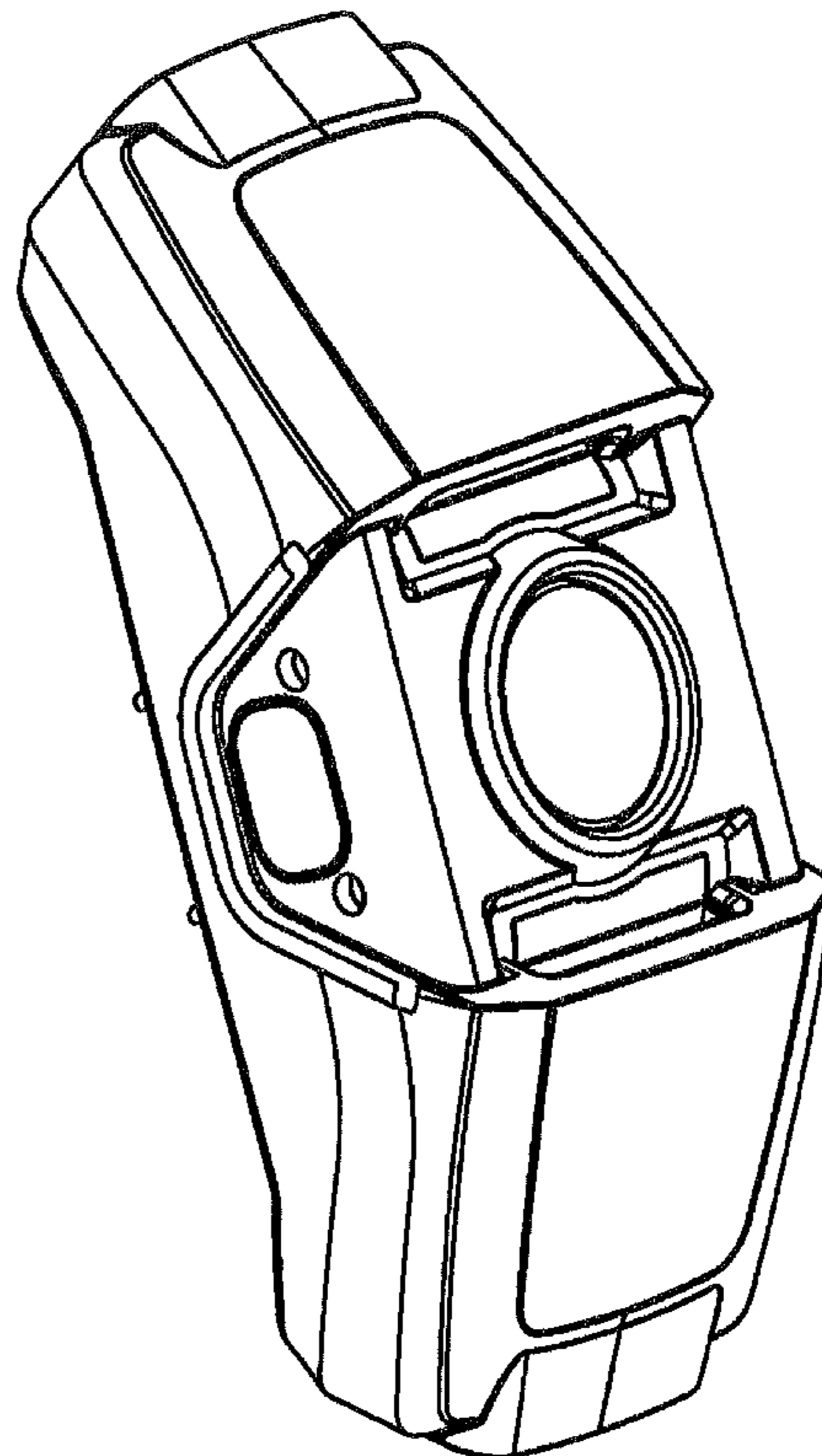
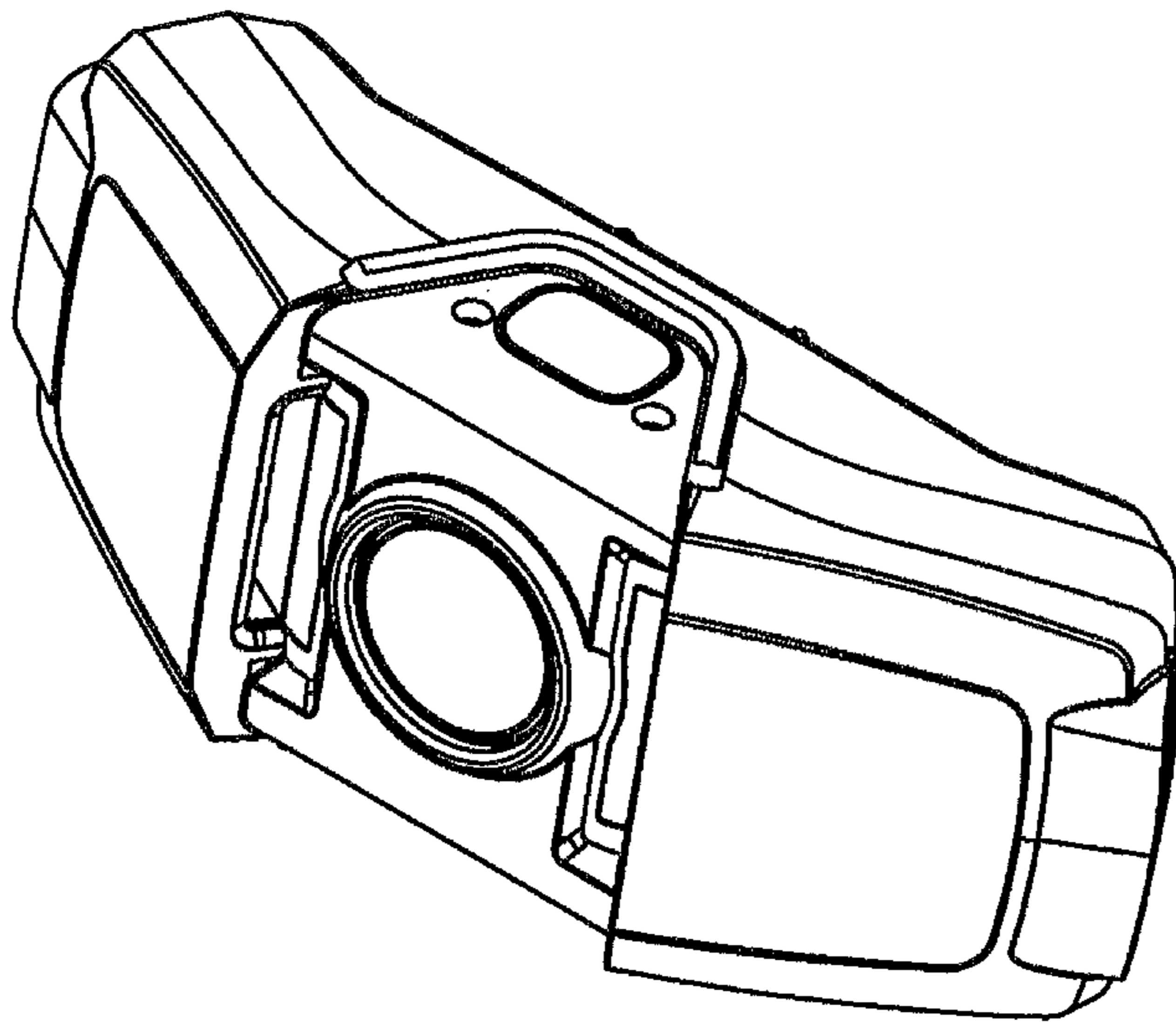
(52) **U.S. Cl.**
USPC **D10/104.1**

(58) **Field of Classification Search**
USPC D10/104.1, 104.2, 31, 32, 70; D30/152;
340/539.11

FIG. 1 shows a top view of the invention;
FIG. 2 shows a front view of the invention;
FIG. 3 shows a rear view of the invention;
FIG. 4 shows a first perspective view of the invention;
FIG. 5 shows a second perspective view of the invention;
FIG. 6 shows a third perspective view of the invention; and,
FIG. 7 shows a fourth perspective view of the invention.

See application file for complete search history.

1 Claim, 6 Drawing Sheets



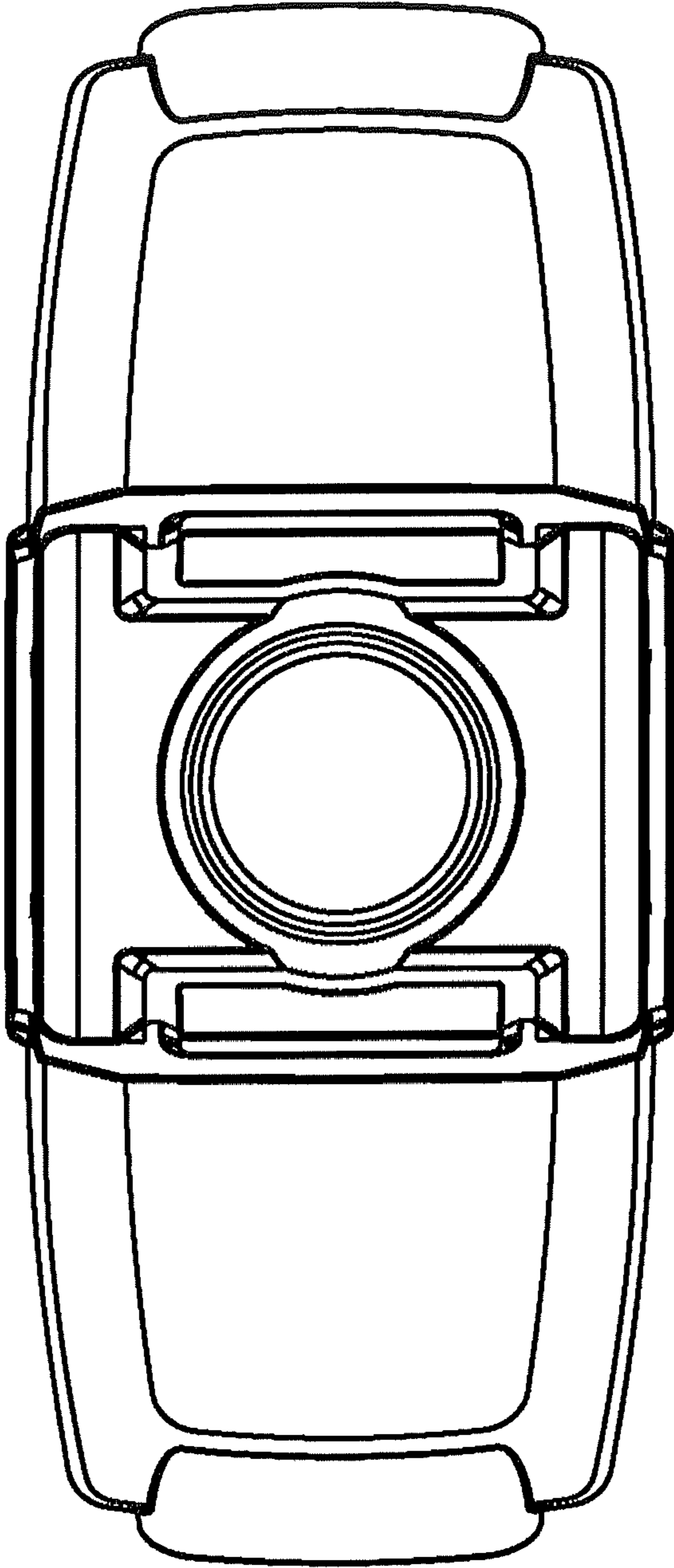


FIG. 1

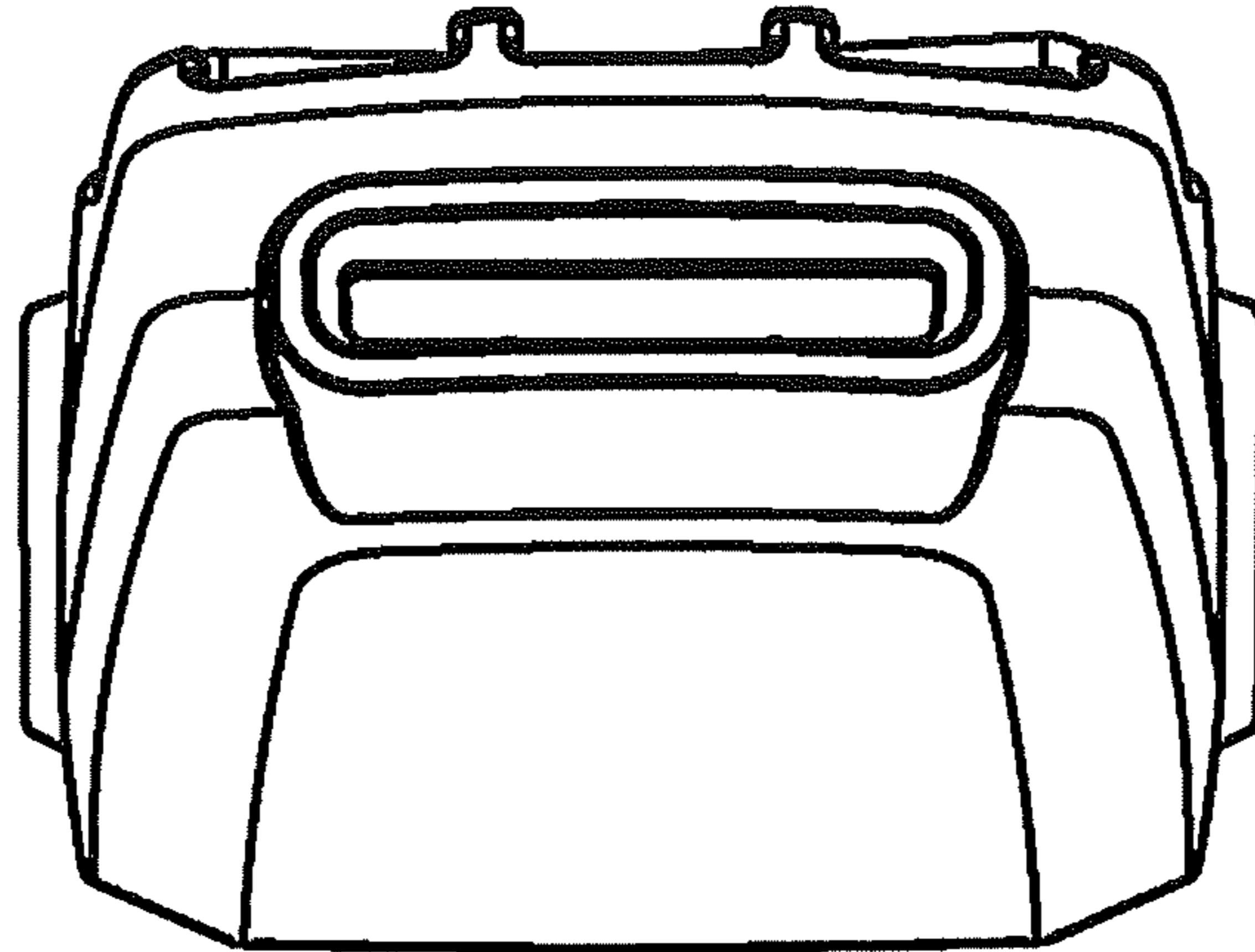


FIG. 2

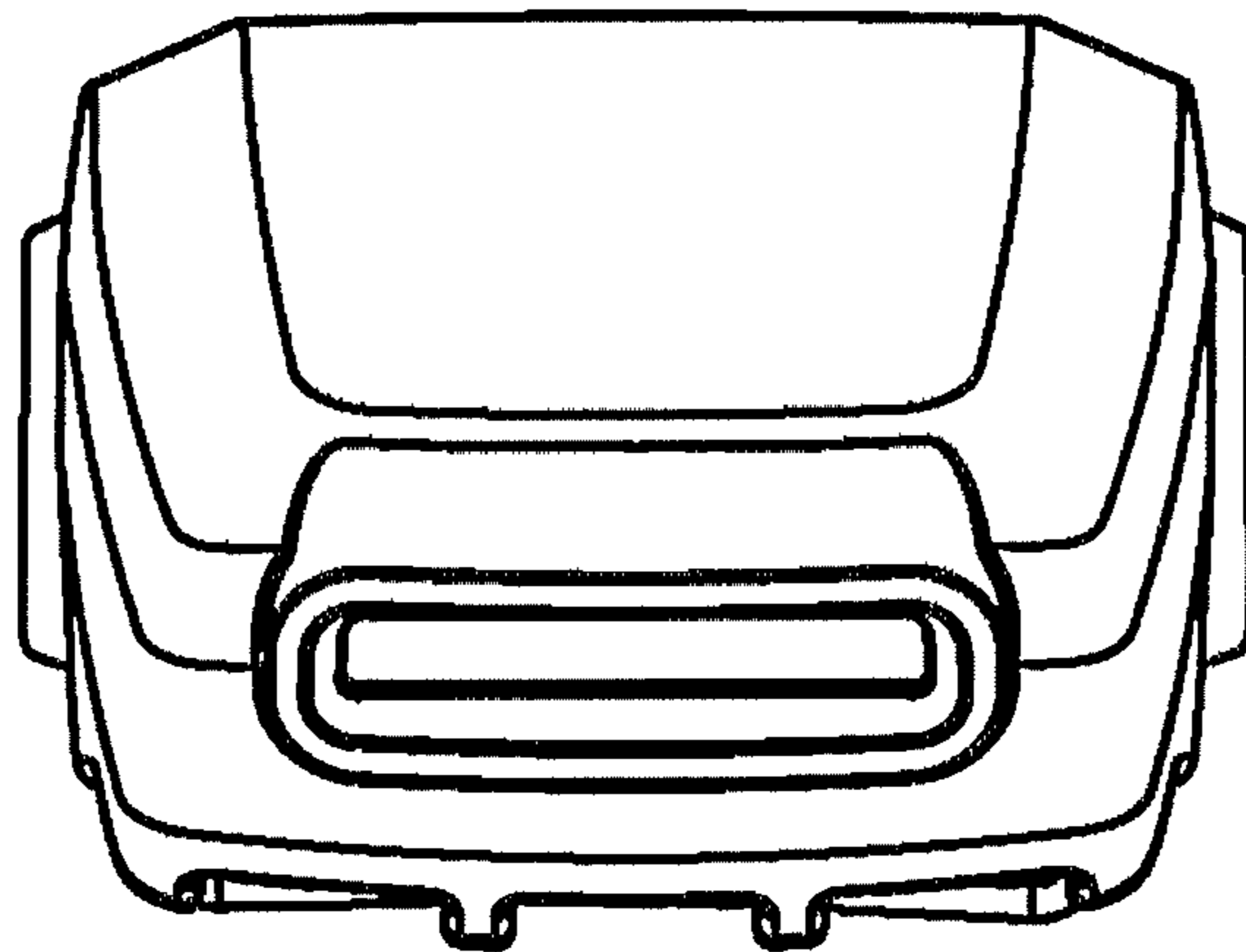


FIG. 3

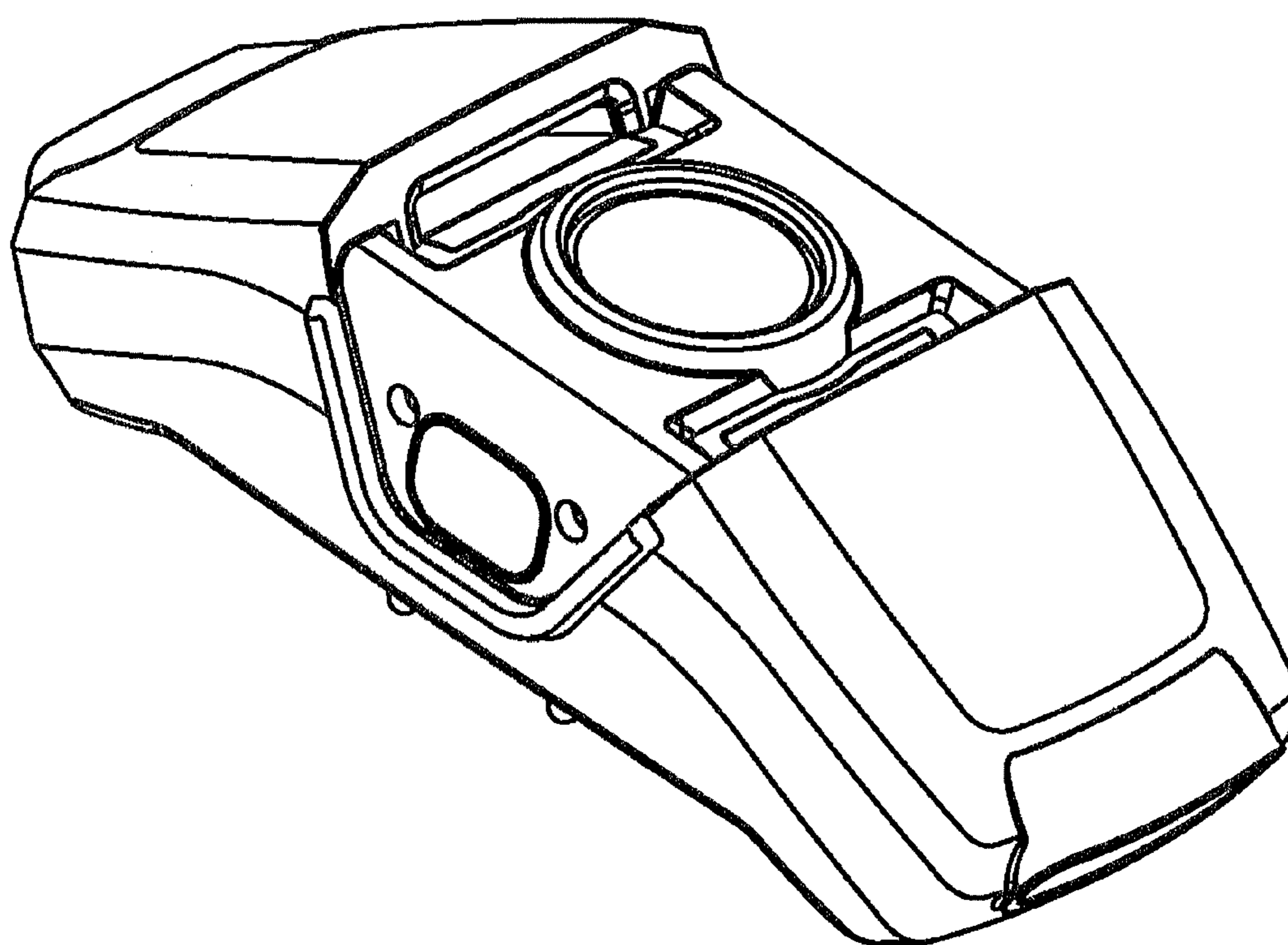


FIG. 4

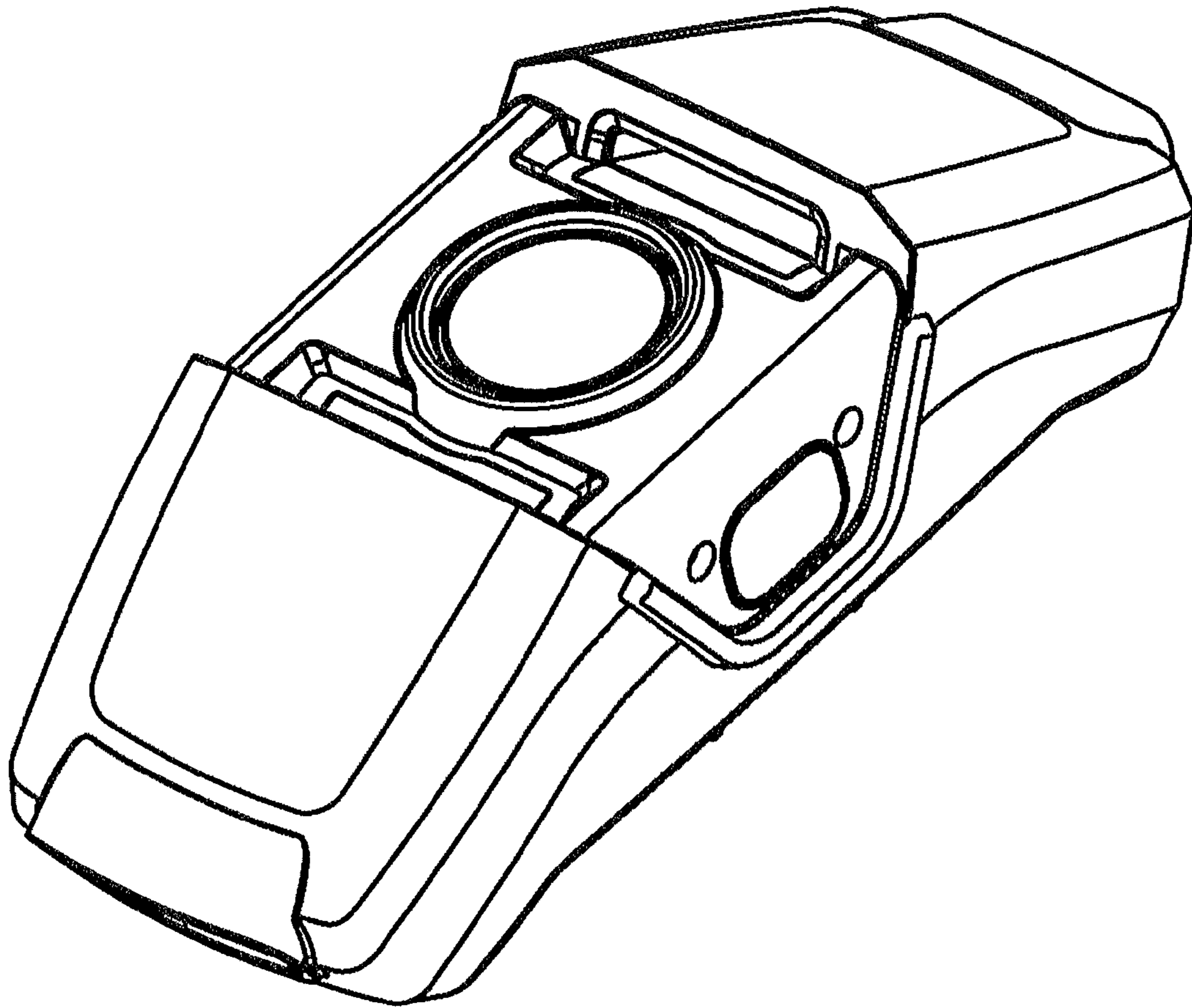


FIG. 5

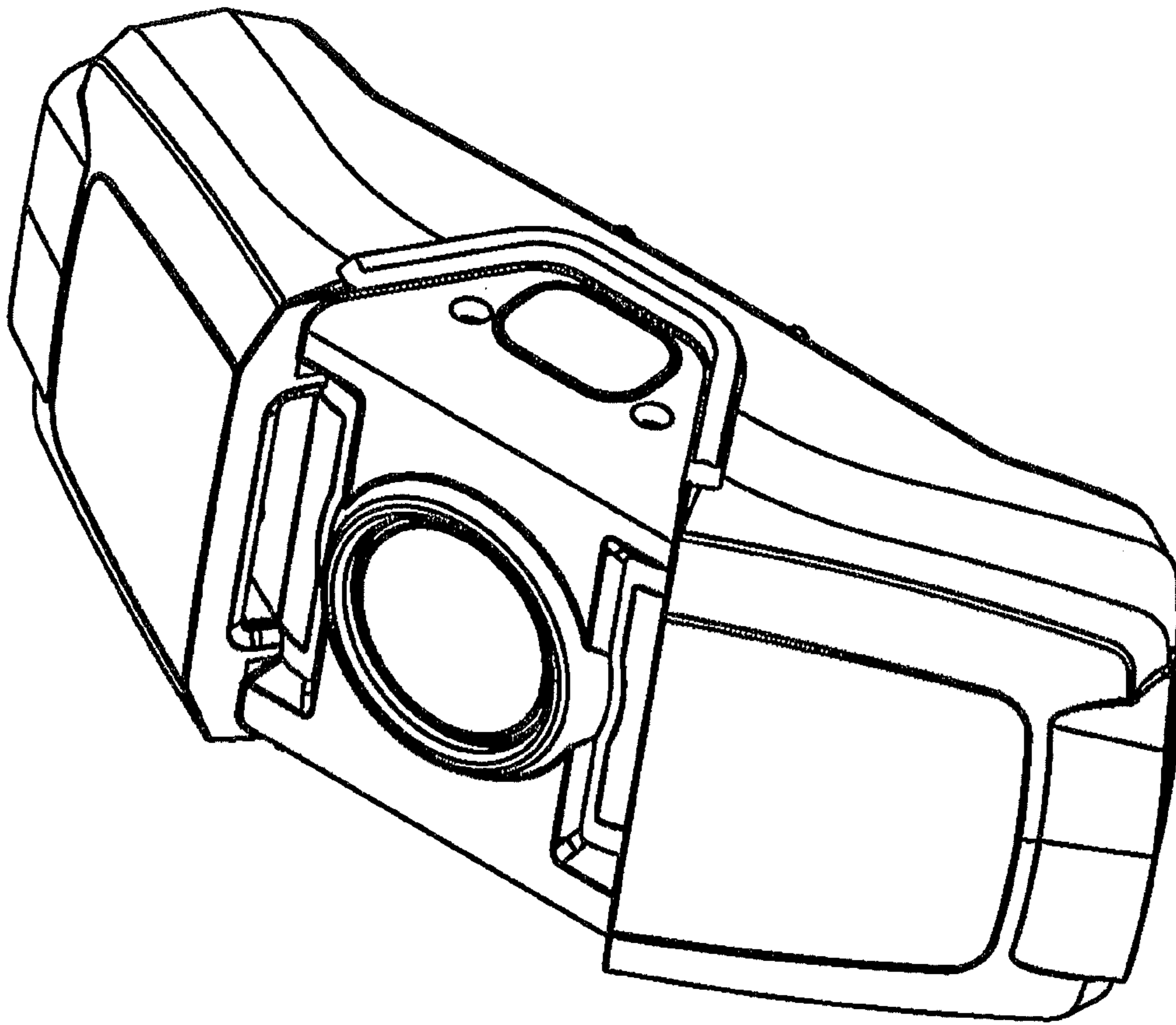


FIG. 6

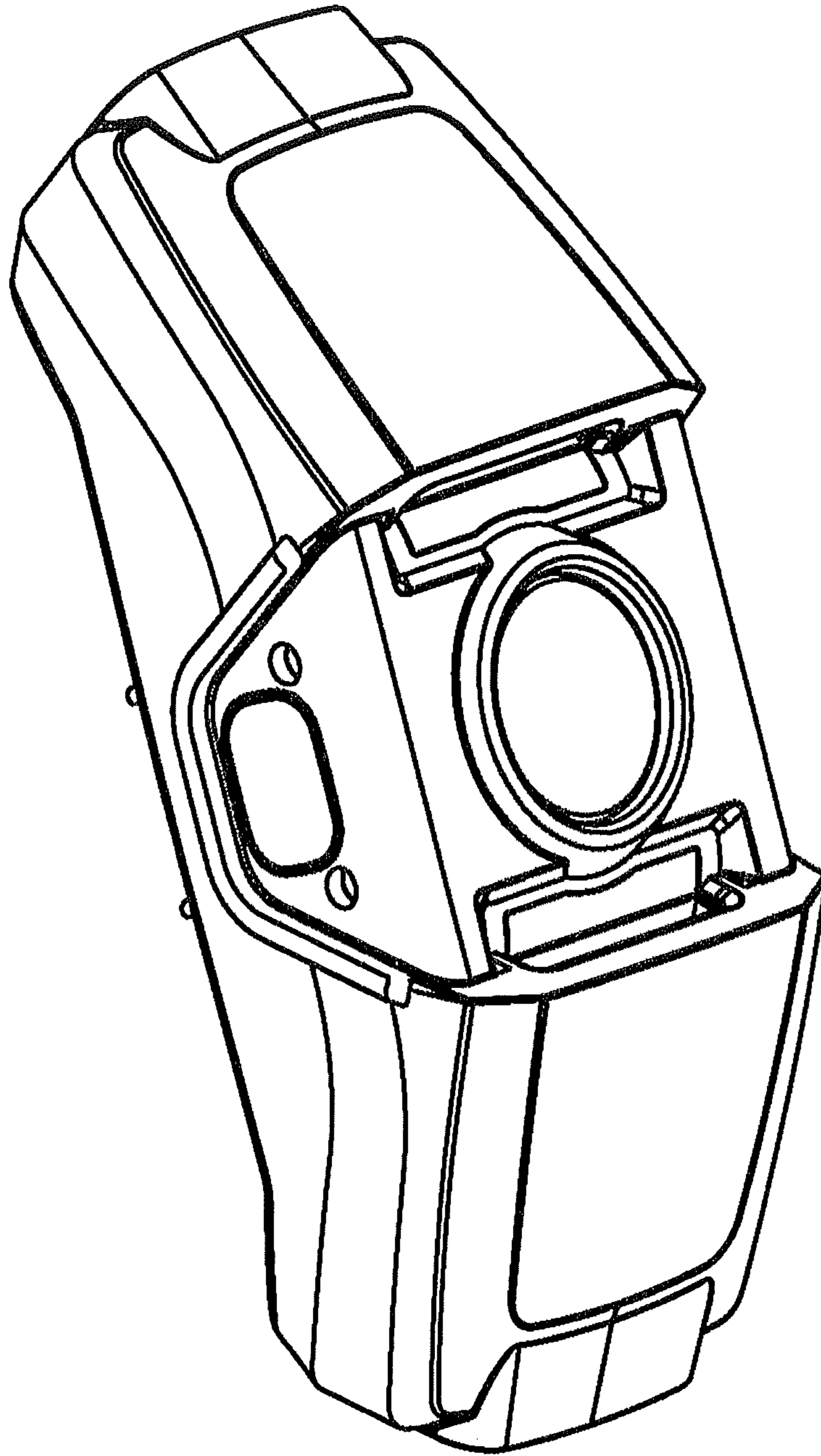


FIG. 7