



US00D709777S

(12) **United States Design Patent**
Matsumiya et al.

(10) **Patent No.:** **US D709,777 S**
(45) **Date of Patent:** **** Jul. 29, 2014**

(54) **OPTICAL MEASUREMENT HEAD FOR MEASURING COORDINATES**

(71) Applicant: **Mitutoyo Corporation**, Kanagawa (JP)

(72) Inventors: **Sadayuki Matsumiya**, Kawasaki (JP); **Yu Sugai**, Kawasaki (JP); **Shigeru Ohtani**, Kawasaki (JP); **Osamu Saito**, Kawasaki (JP); **Shinichiro Aoyagi**, Kawasaki (JP); **Yoshiro Asano**, Tokyo (JP)

(73) Assignee: **Mitutoyo Corporation**, Kanagawa (JP)

(**) Term: **14 Years**

(21) Appl. No.: **29/448,406**

(22) Filed: **Mar. 12, 2013**

(30) **Foreign Application Priority Data**

Oct. 5, 2012 (JP) 2012-024379

(51) **LOC (10) Cl.** **10-04**

(52) **U.S. Cl.**
USPC **D10/74**

(58) **Field of Classification Search**
CPC G01B 5/008; G01B 5/012; G01B 5/016; G01B 11/002; G01B 11/2545; G01B 11/2513; G01B 11/005; G01B 11/007; G01B 21/365; G01B 21/0016; G01B 21/045; G01B 21/047
USPC D10/63, 74; 250/559.15–559.49, 250/206–214 SW, 239; 33/359, 360, 503, 33/556, DIG. 3; 356/601–640, 231–236
See application file for complete search history.

(56) **References Cited**

U.S. PATENT DOCUMENTS

5,757,496 A * 5/1998 Yamazaki 356/600
7,428,061 B2 9/2008 Coppenolle et al.
D686,927 S * 7/2013 Matuschek et al. D10/74

OTHER PUBLICATIONS

English Catalog published on the Web in 2011, Nikon Metrology “XC65Dx (-LS) Digital Cross Scanners”.
English Catalog published on the Web in 2010, Nikon Metrology Solutions “XC65D(-LS) Cross Scanner”, p. 9.
English Catalog published on the Web in 2007, Metris “XC50(-LS) Cross Scanner”.

* cited by examiner

Primary Examiner — Antoine D Davis

(74) *Attorney, Agent, or Firm* — Oliff PLC

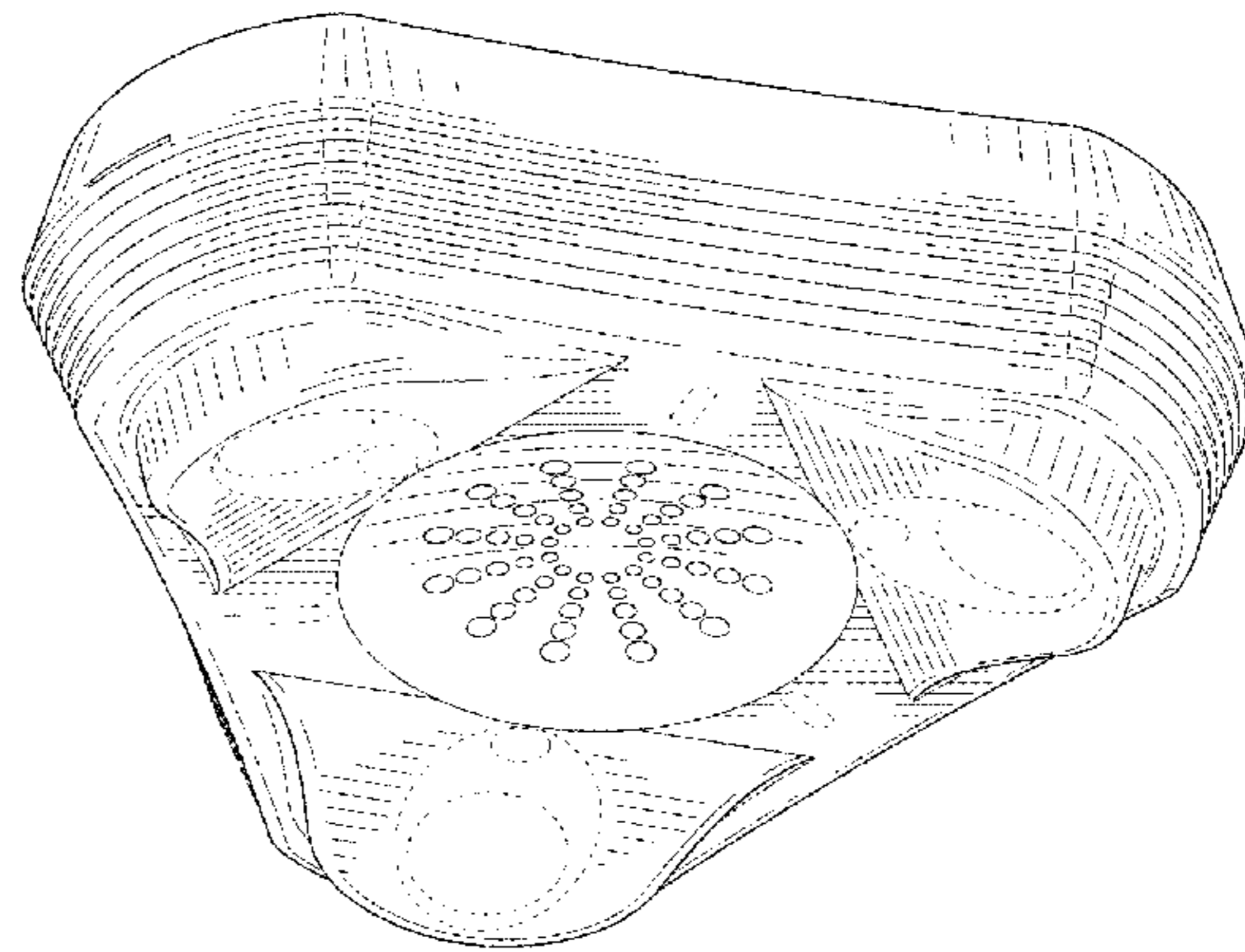
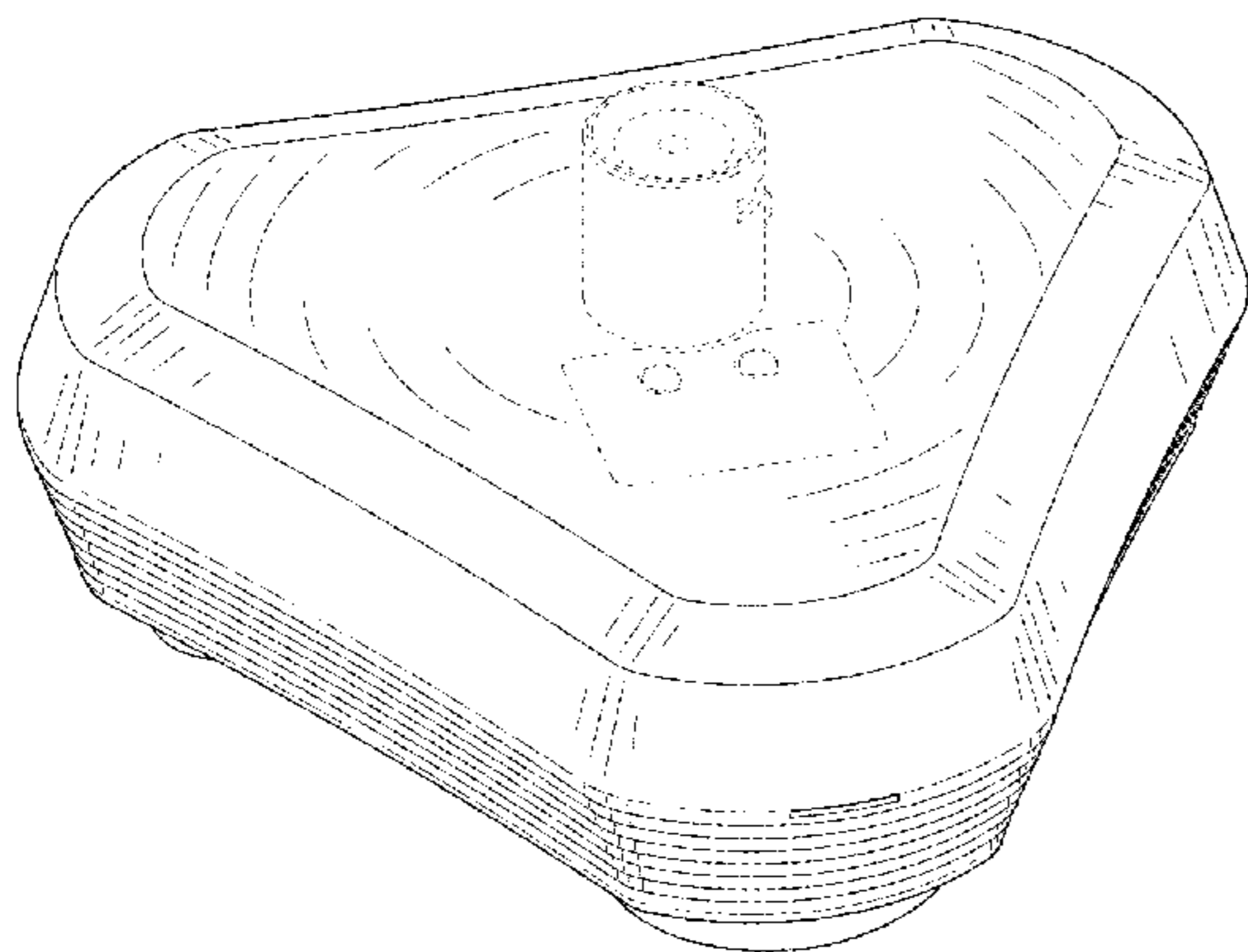
(57) **CLAIM**

The ornamental design for an optical measurement head for measuring coordinates, as shown and described.

DESCRIPTION

FIG. 1 is a front, top, right-side perspective view of an optical measurement head for measuring coordinates;
FIG. 2 is a front view thereof;
FIG. 3 is a top view thereof;
FIG. 4 is a right-side view thereof;
FIG. 5 is a left-side view thereof;
FIG. 6 is a rear view thereof;
FIG. 7 is a bottom view thereof; and,
FIG. 8 is a bottom, front perspective view thereof.
The broken lines depict environmental subject matter only and form no part of the claimed design.

1 Claim, 5 Drawing Sheets



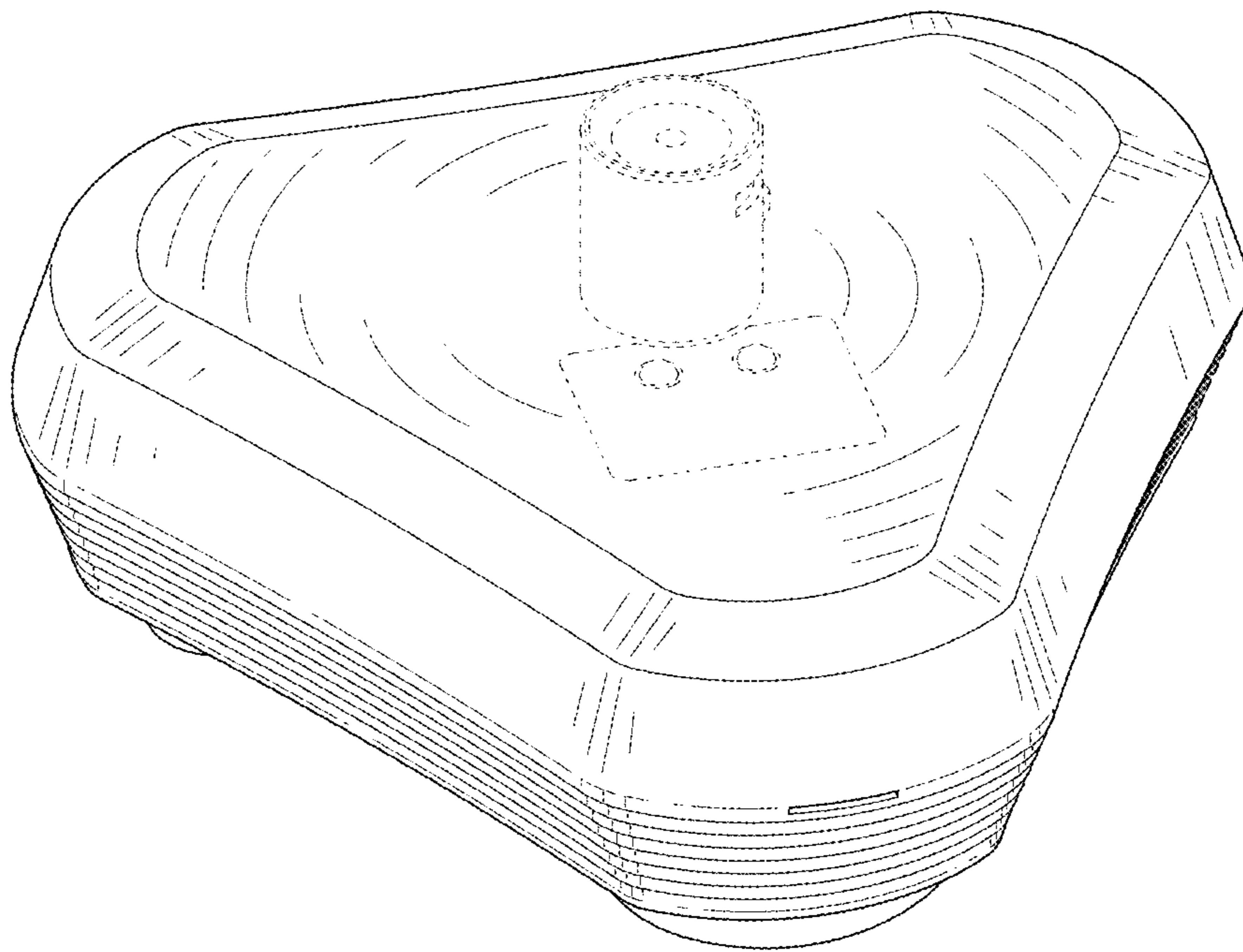


FIG. 1

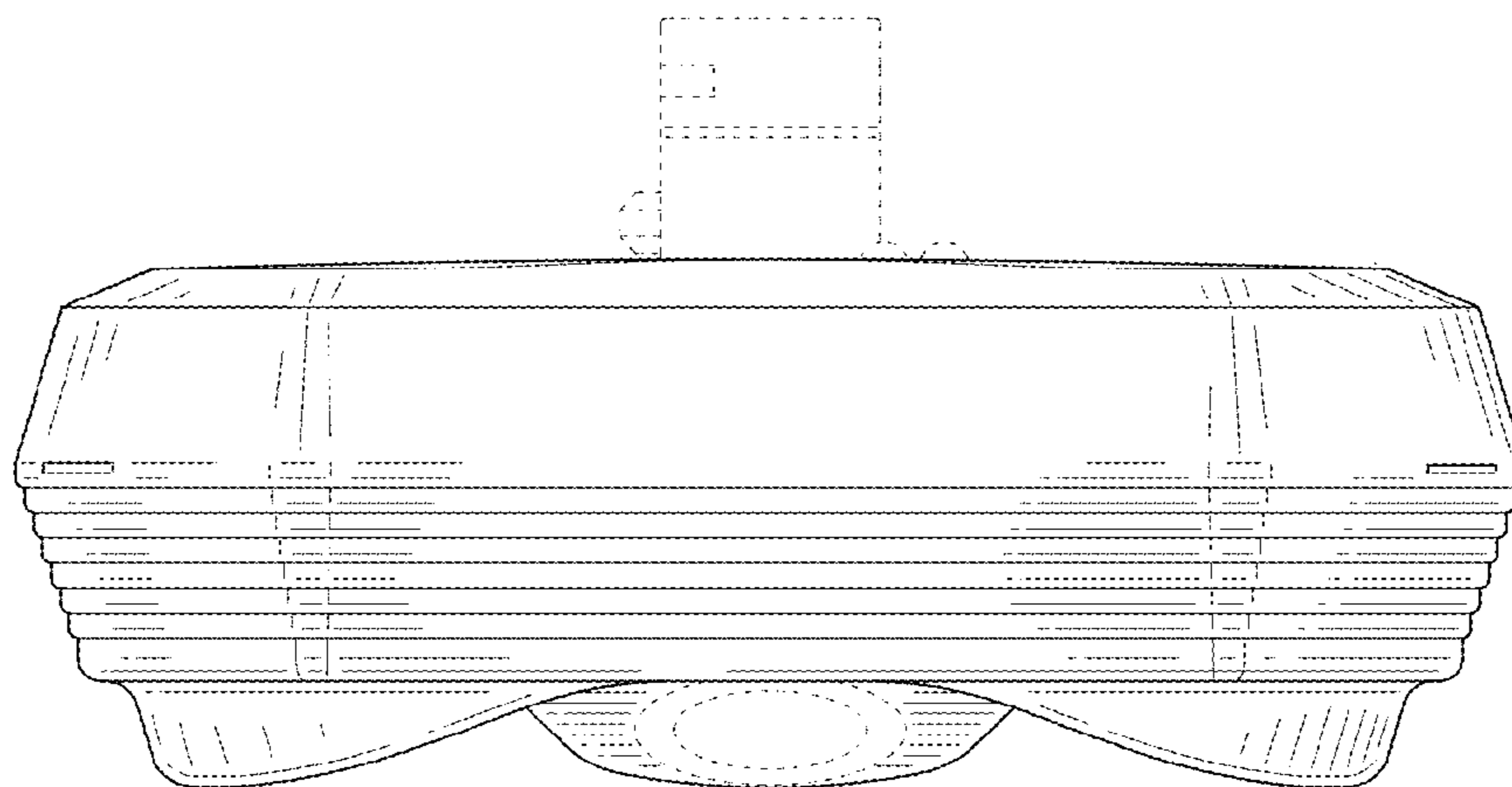


FIG. 2

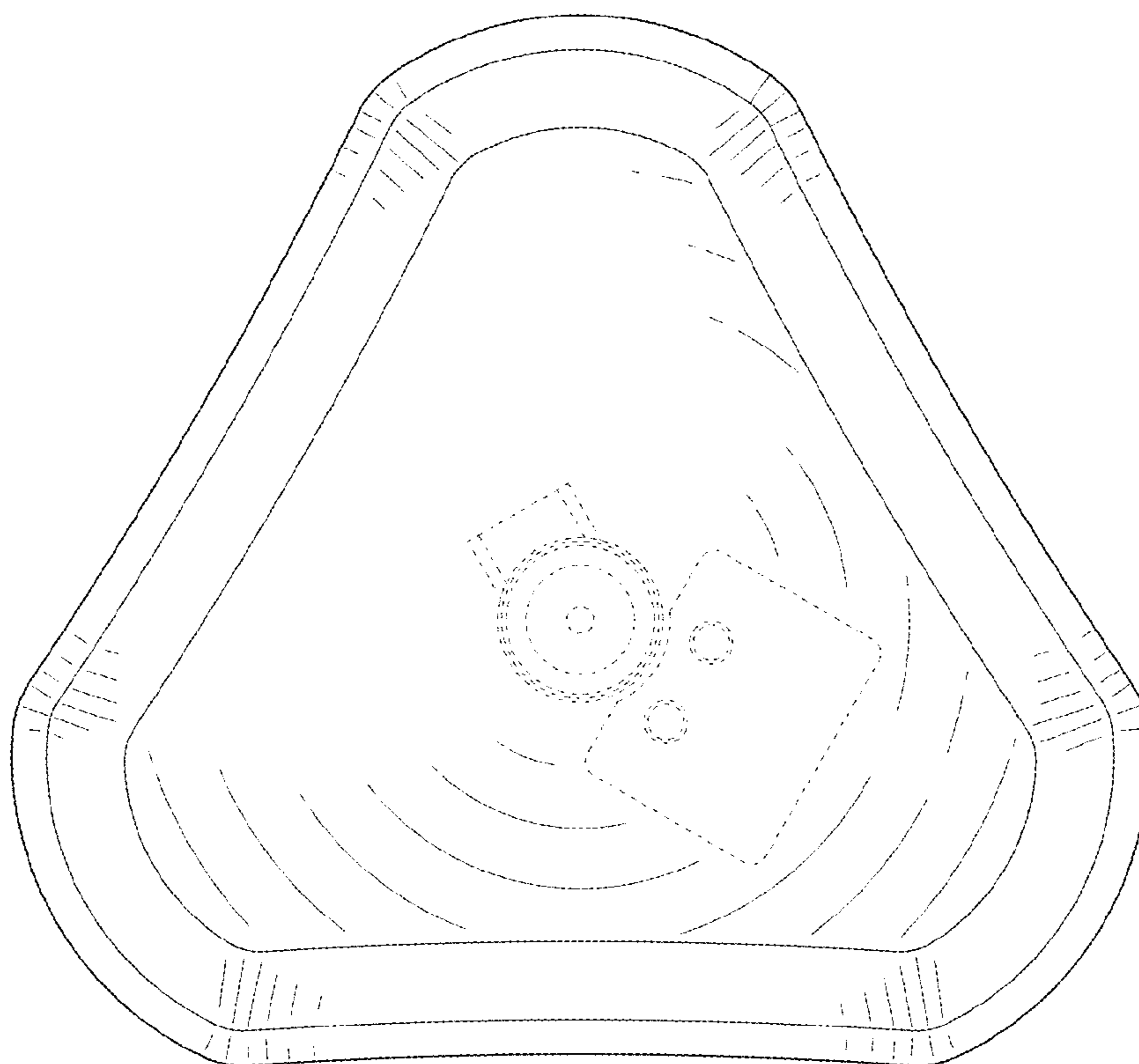


FIG. 3

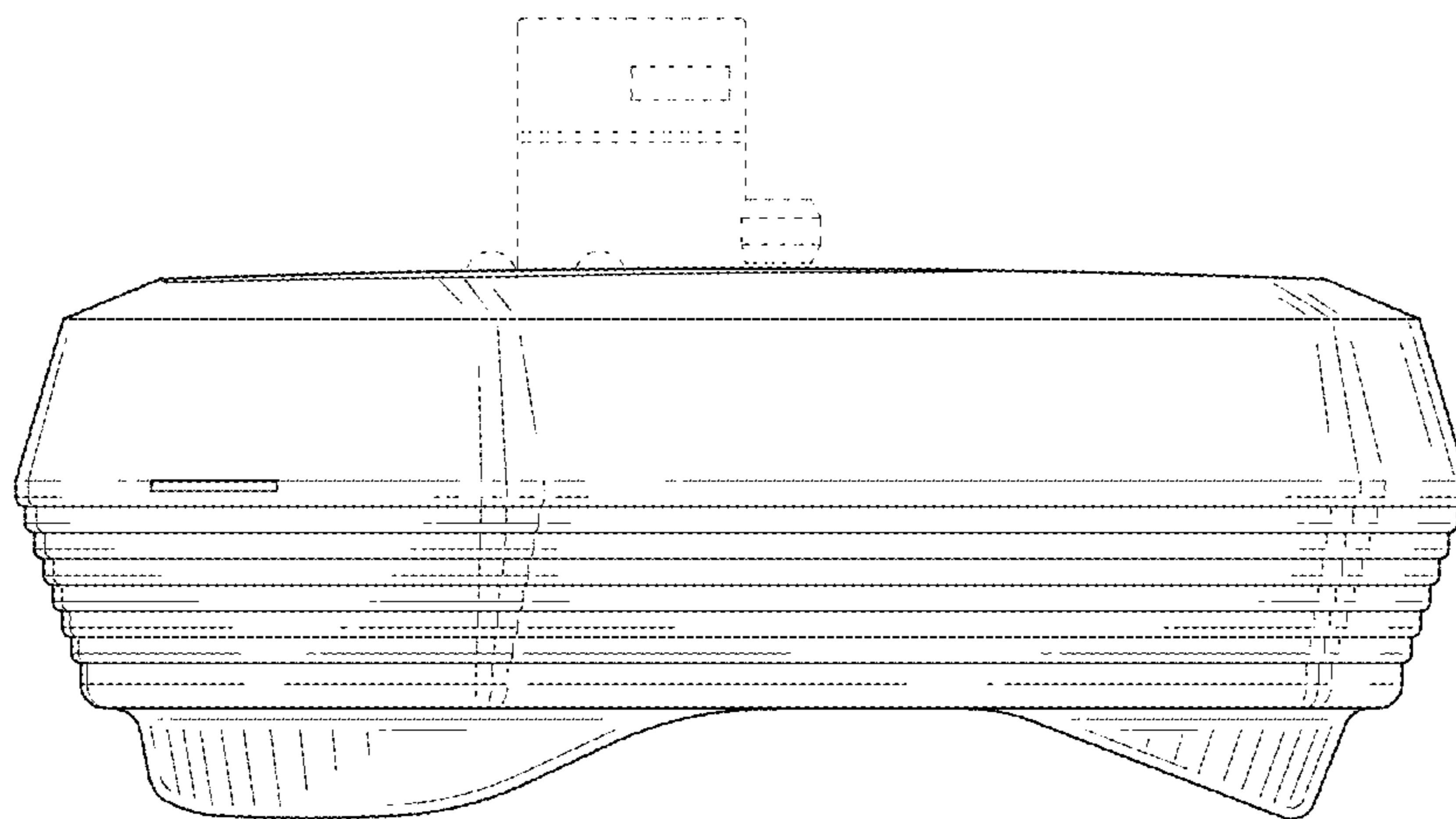


FIG. 4

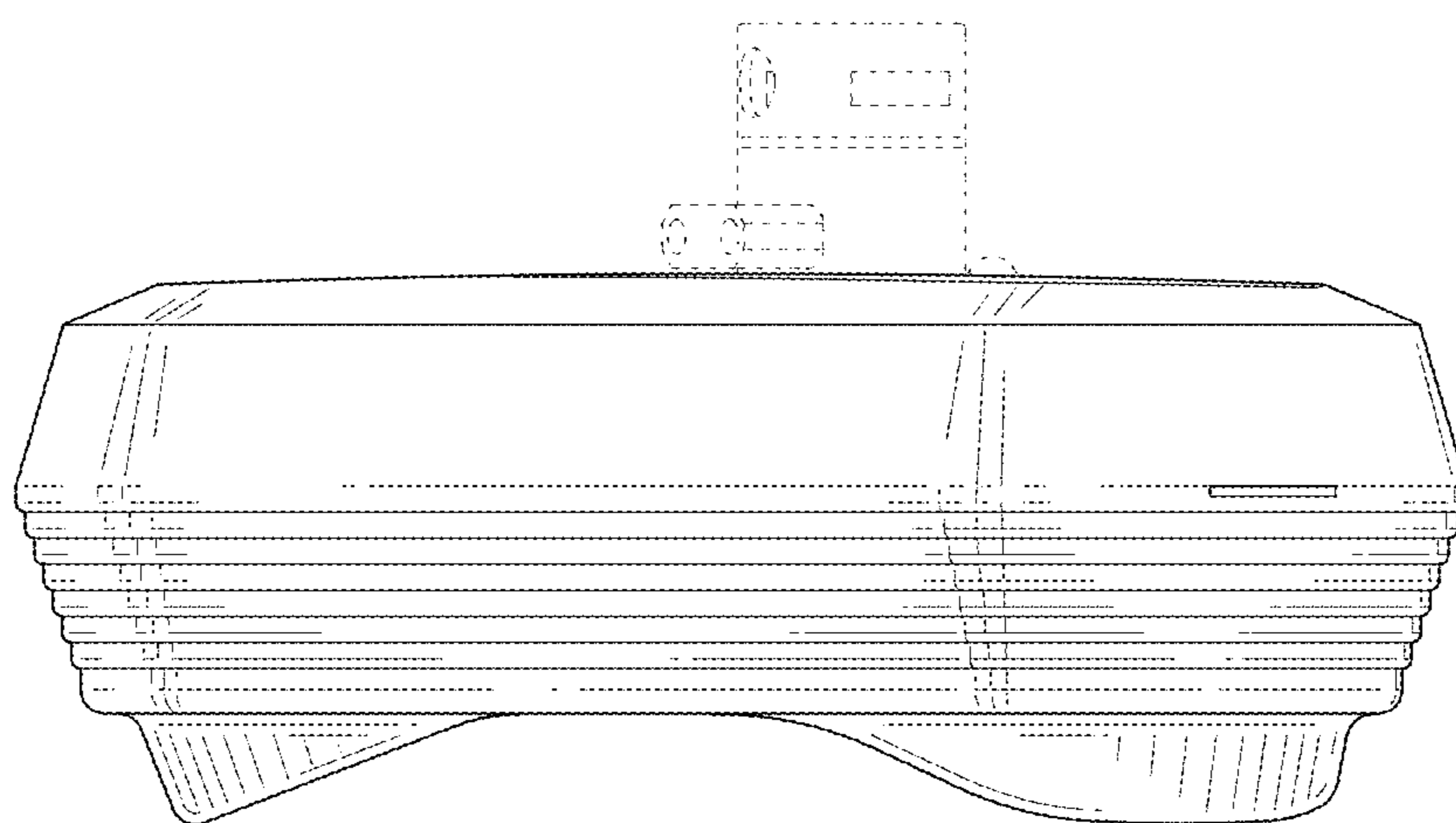


FIG. 5

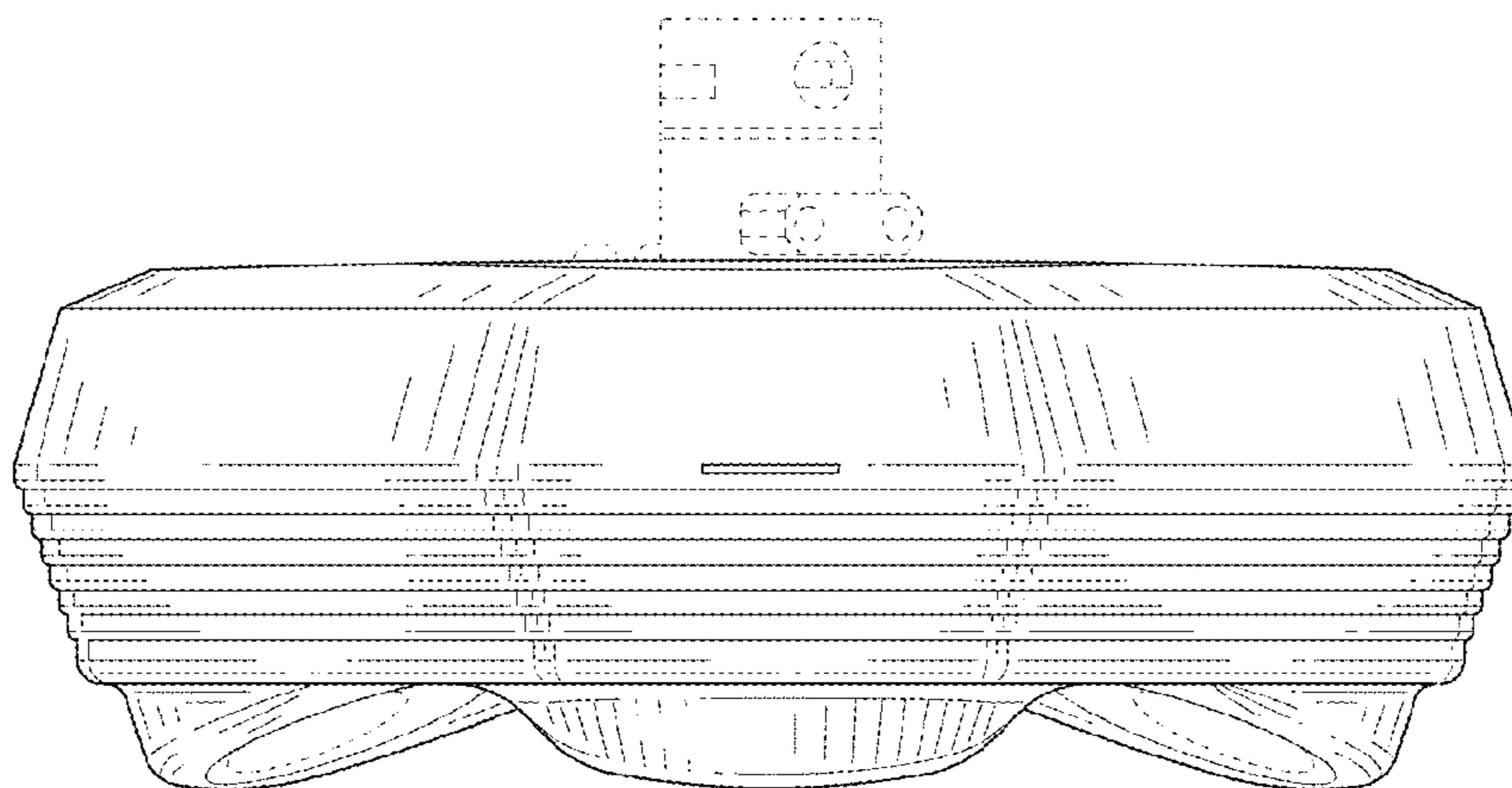


FIG. 6

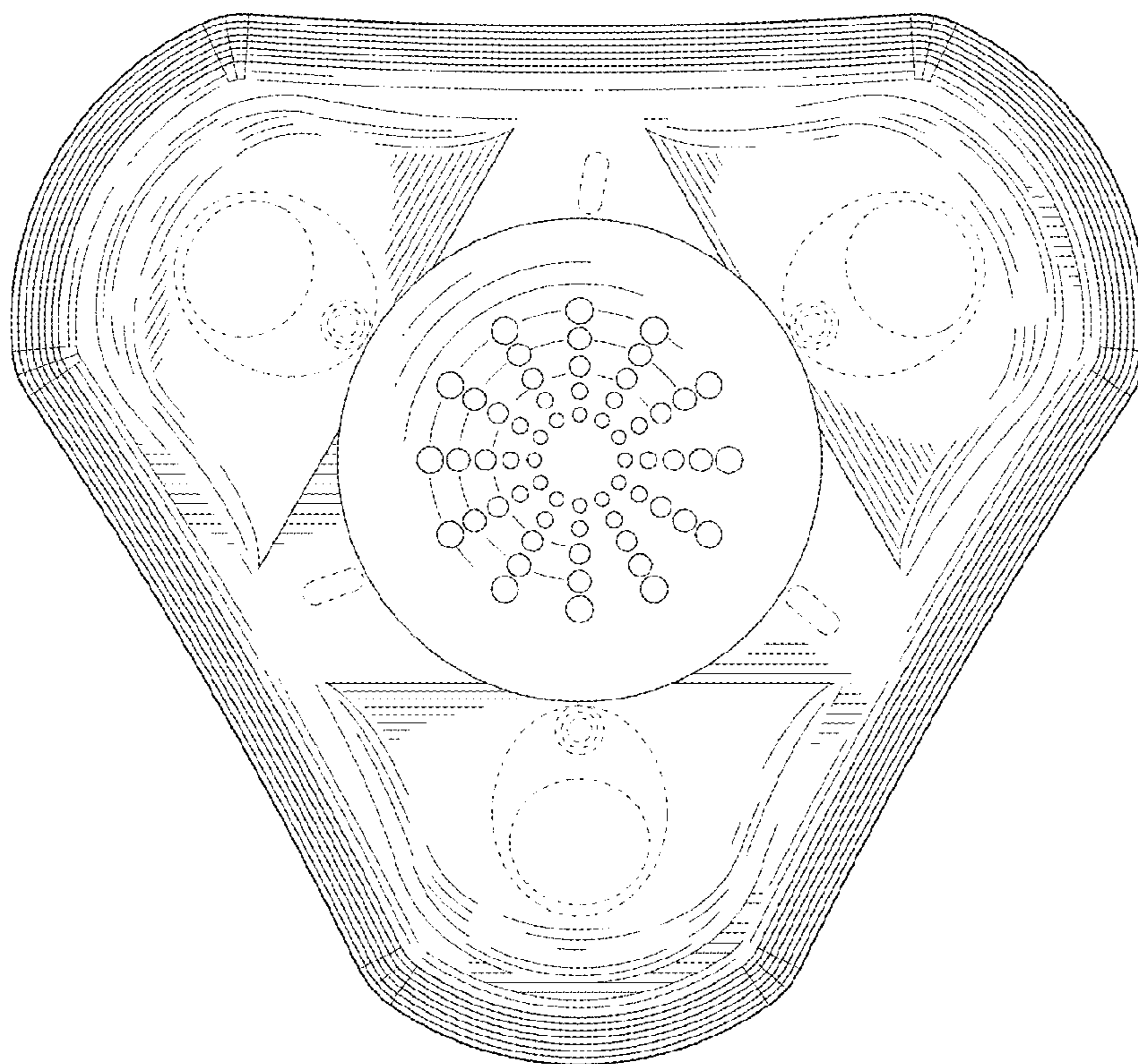


FIG. 7

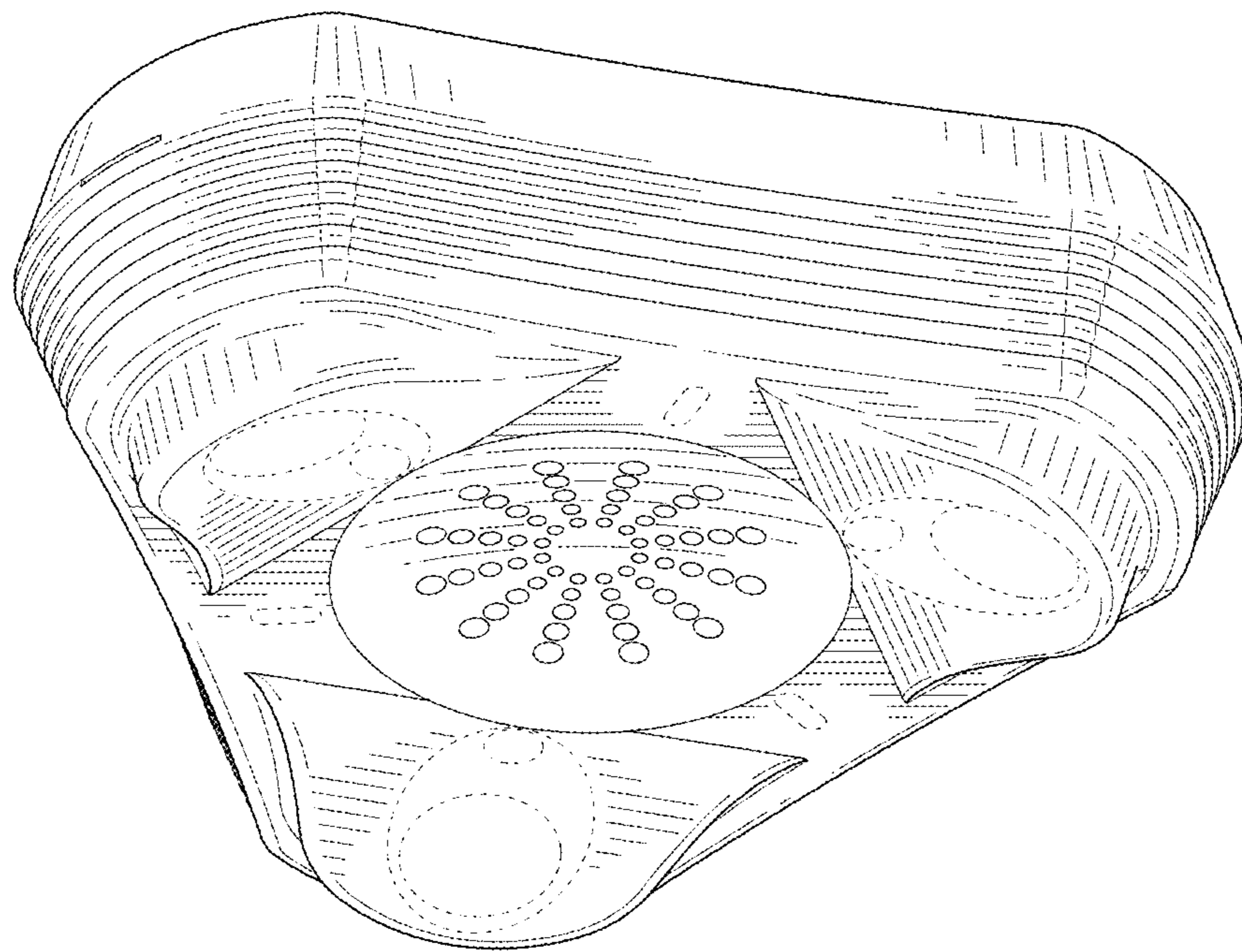


FIG. 8