



US00D709774S

(12) **United States Design Patent**
Bechyne et al.

(10) **Patent No.:** **US D709,774 S**
(45) **Date of Patent:** **** Jul. 29, 2014**

(54) **CONTAINER FOR STORING AND DISPENSING WIPES**

- (71) Applicant: **Kimberly-Clark Worldwide, Inc.**,
Neenah, WI (US)
- (72) Inventors: **Christopher M. Bechyne**, Menasha, WI (US); **Brian J. Brigham**, Kyoto (JP); **Jereme N. Dumm**, River Forest, IL (US); **Scott A. Ternovits**, Chicago, IL (US)
- (73) Assignee: **Kimberly-Clark Worldwide, Inc.**,
Neenah, WI (US)

- (**) Term: **14 Years**
- (21) Appl. No.: **29/446,684**
- (22) Filed: **Feb. 26, 2013**

Related U.S. Application Data

- (63) Continuation of application No. 13/721,633, filed on Dec. 20, 2012.
- (51) **LOC (10) Cl.** **09-01**
- (52) **U.S. Cl.**
USPC **D9/734**
- (58) **Field of Classification Search**
USPC D9/734, 414, 416, 420, 423, 424, 425, D9/428, 432, 494, 501, 503, 529, 537, 564, D9/730; D7/507, 511, 538, 584, 586, 587, D7/589, 591, 597, 601, 602; D3/202; 206/225, 233, 389, 391, 440, 441, 438, 206/486, 489, 494, 499, 581, 804; D6/515-523; 221/26, 33, 45, 63; D28/73, 76, 82, 83; 220/315, 659, 675, 220/662, 660, 700, 729, 744, 916

See application file for complete search history.

(56) **References Cited**

U.S. PATENT DOCUMENTS

1,232,404	A *	7/1917	Skankewitz	220/315
1,809,742	A	6/1931	McWhorter		
2,532,857	A	12/1950	Ricciardi		
3,221,873	A	12/1965	Bowes et al.		
3,319,782	A	5/1967	Bowes		
4,458,810	A *	7/1984	Mahoney	206/210
4,863,064	A	9/1989	Dailey, III		
6,000,538	A *	12/1999	Lee	206/233
6,045,002	A *	4/2000	Wierschke	221/48
D460,665	S	7/2002	Lillelund et al.		
6,523,690	B1	2/2003	Buck et al.		

(Continued)

FOREIGN PATENT DOCUMENTS

CN	2920832	Y	7/2007
EP	1035026	A1	9/2000

(Continued)

Primary Examiner — Derrick Holland

Assistant Examiner — Lauren Calve

(74) *Attorney, Agent, or Firm* — Kimberly-Clark Worldwide, Inc.

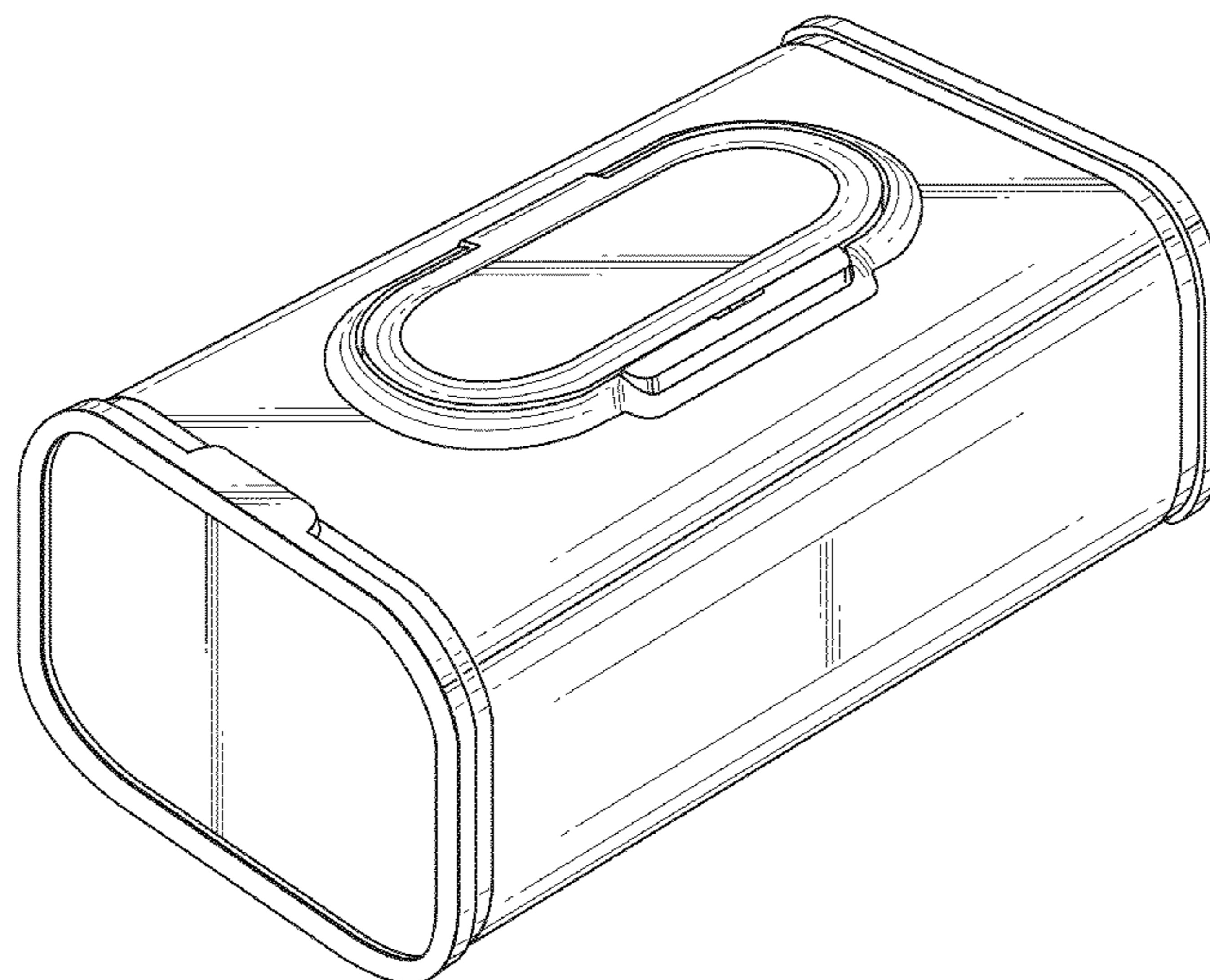
(57) **CLAIM**

We claim the ornamental design for a container for storing and dispensing wipes, as shown and described.

DESCRIPTION

FIG. 1 is a perspective view of a container for storing and dispensing wipes according to the present design; FIG. 2 is a back elevation view thereof; FIG. 3 is a front elevation view thereof; FIG. 4 is an end elevation view thereof; FIG. 5 is a second end elevation view thereof; FIG. 6 is a top plan view thereof; and, FIG. 7 is a bottom plan view thereof. The broken lines shown in FIG. 2 represent unclaimed subject matter and form no part of the claimed design.

1 Claim, 6 Drawing Sheets



(56)

References Cited

U.S. PATENT DOCUMENTS

6,592,004 B2 * 7/2003 Huang et al. 221/63
 D546,175 S * 7/2007 Sainz D9/420
 D547,647 S * 7/2007 Kutsch et al. D9/420
 D564,812 S * 3/2008 Tomic et al. D6/518
 7,621,401 B2 11/2009 Alegre
 D608,660 S * 1/2010 Mau D9/734
 7,934,597 B2 * 5/2011 Zwick et al. 206/233
 D684,364 S 6/2013 Leblanc
 2002/0179625 A1 12/2002 Huang et al.
 2003/0006253 A1 1/2003 Yelton et al.
 2004/0118862 A1 6/2004 Amundson
 2005/0173442 A1 8/2005 Gilliam et al.
 2005/0205594 A1 9/2005 Evans et al.

2006/0151518 A1 7/2006 Sarbo et al.
 2008/0142536 A1 6/2008 Cohen et al.
 2009/0194553 A1 8/2009 Hoefing et al.
 2011/0101004 A1 5/2011 Spirk et al.
 2011/0240514 A1 * 10/2011 Bando et al. 206/555
 2012/0111751 A1 * 5/2012 Kryshak et al. 206/389
 2012/0160864 A1 6/2012 Shoaf et al.

FOREIGN PATENT DOCUMENTS

FR 2442776 A1 6/1980
 GB 2284801 A 6/1995
 JP 2002-053126 A 2/2002
 JP 2008-307779 A 12/2008
 WO WO 03/017237 A1 2/2003

* cited by examiner

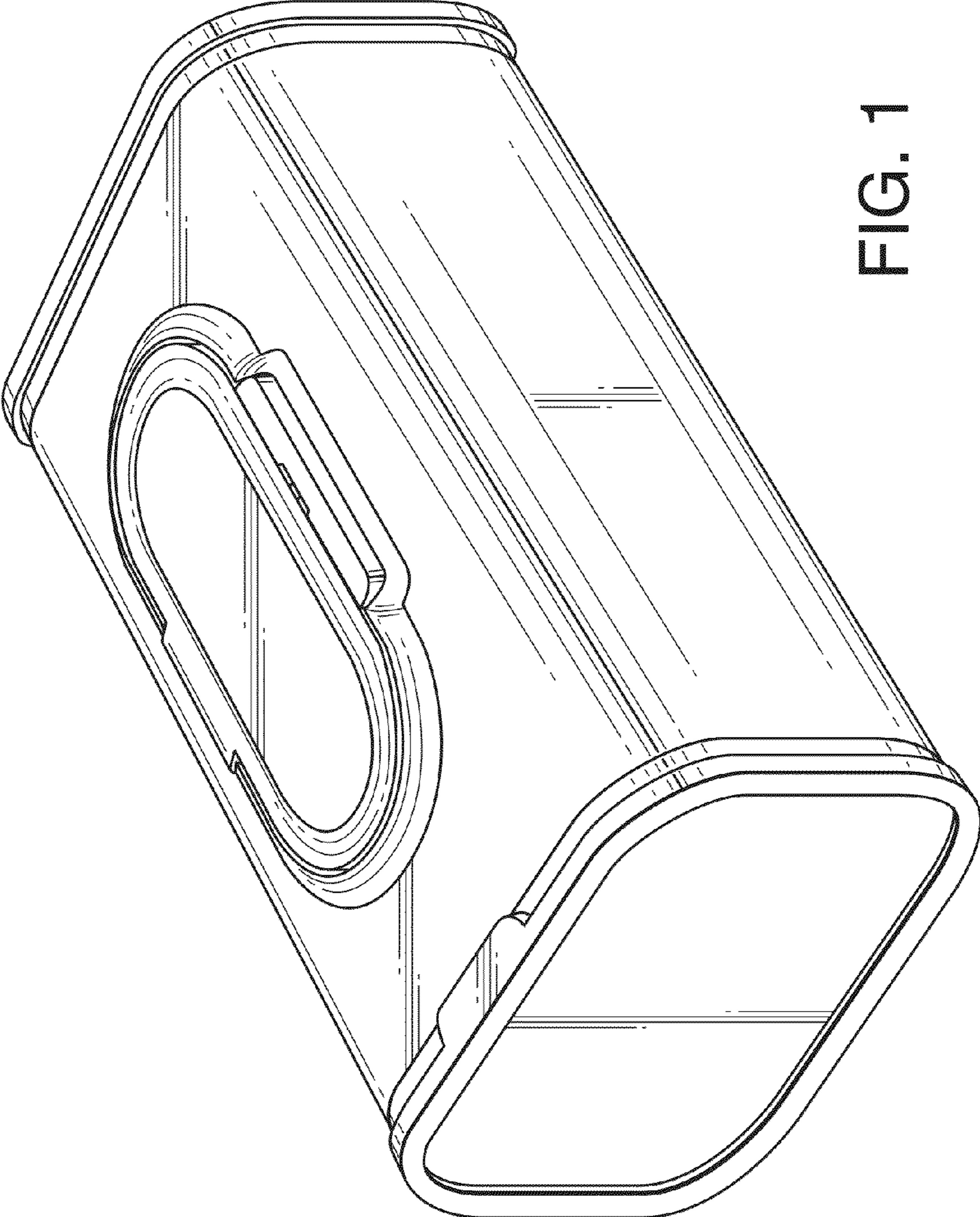


FIG. 1

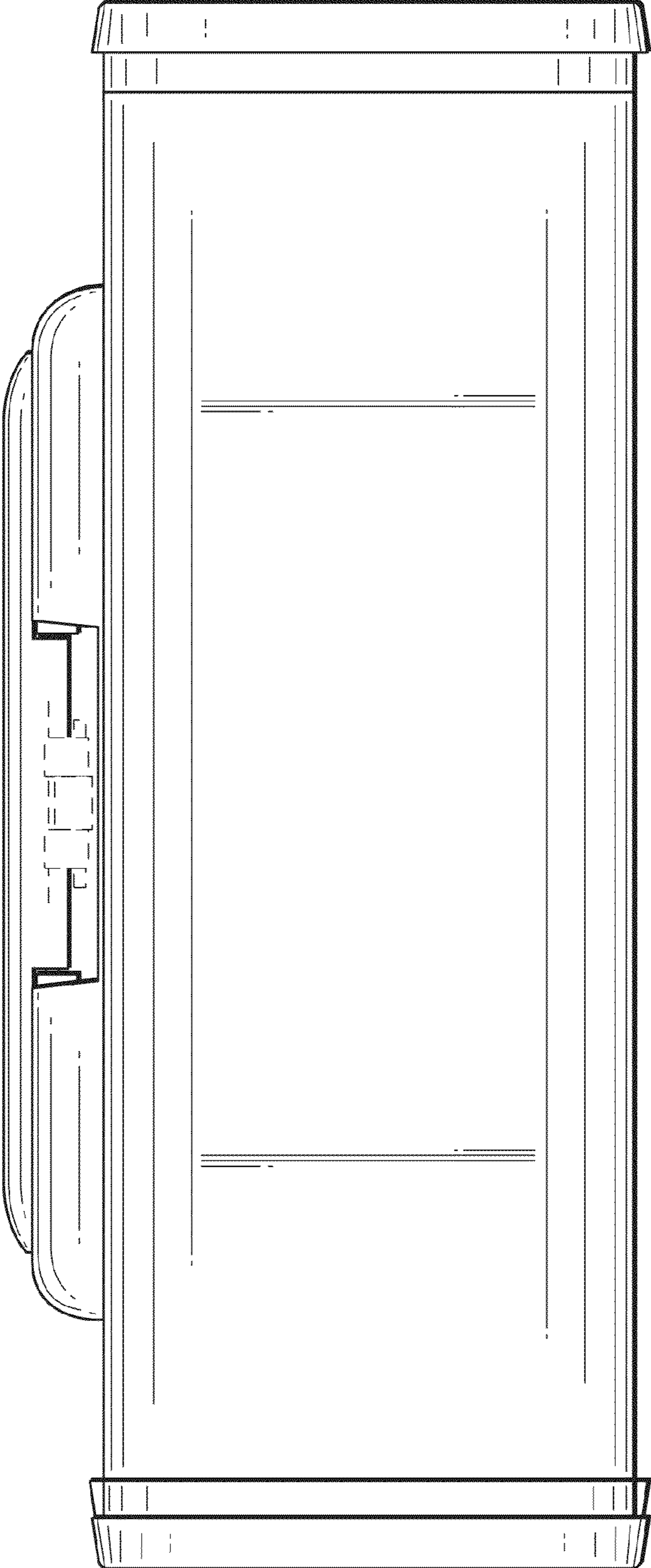


FIG. 2

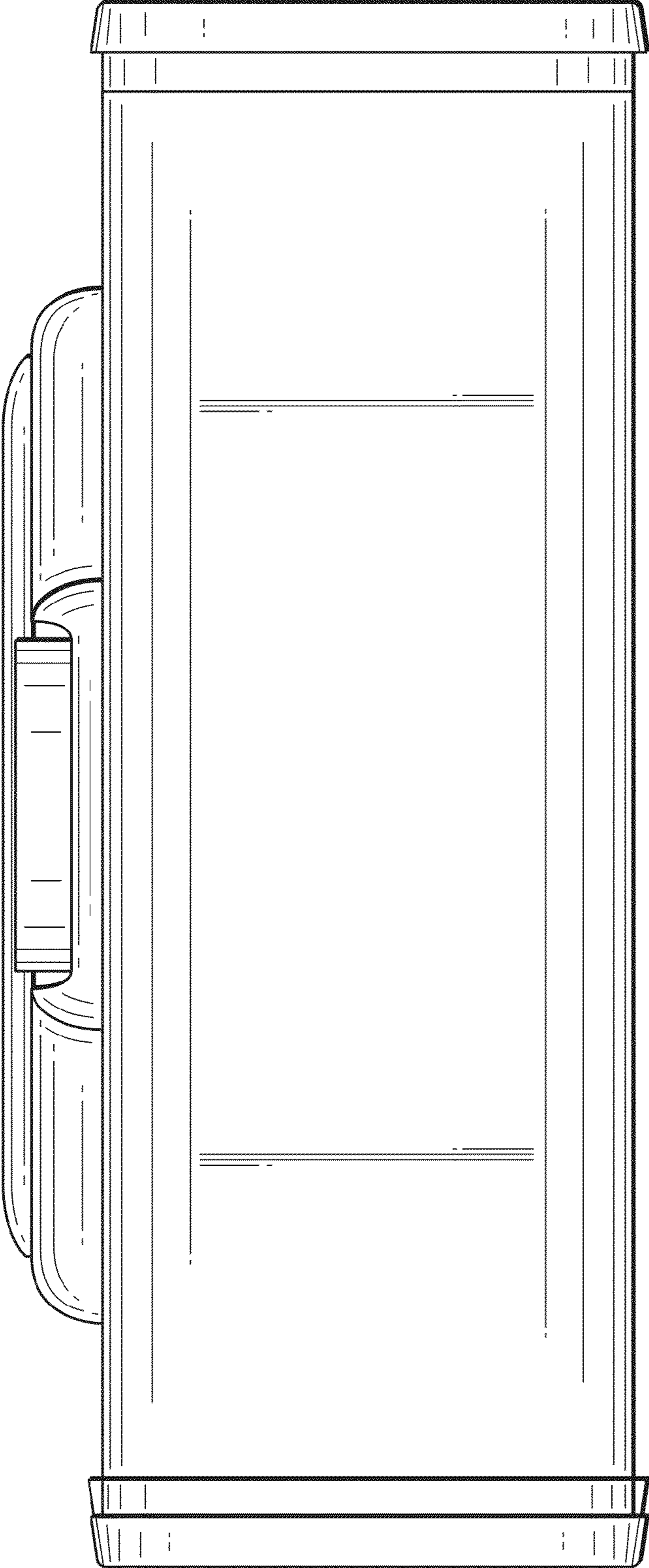


FIG. 3

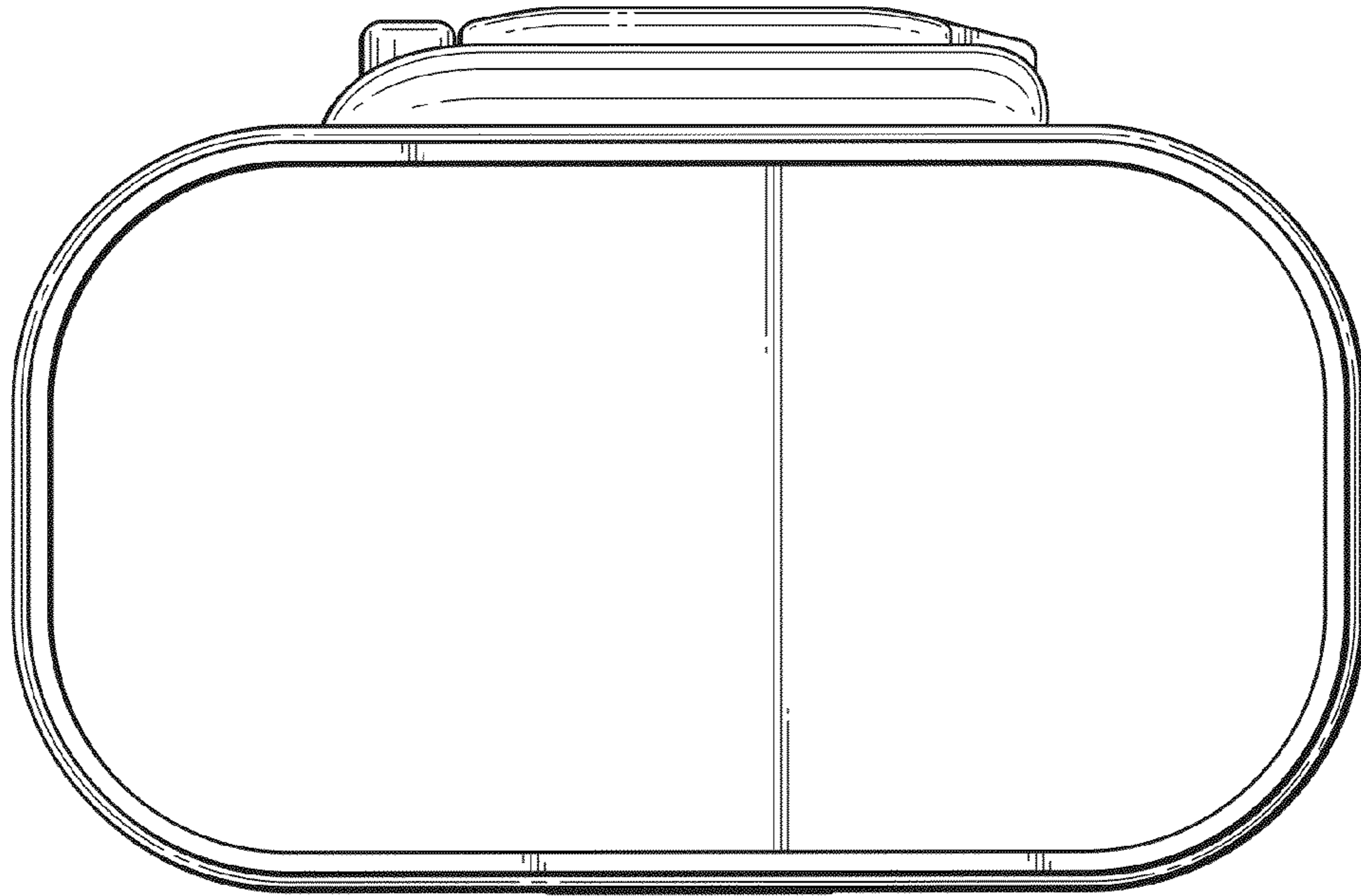


FIG. 4

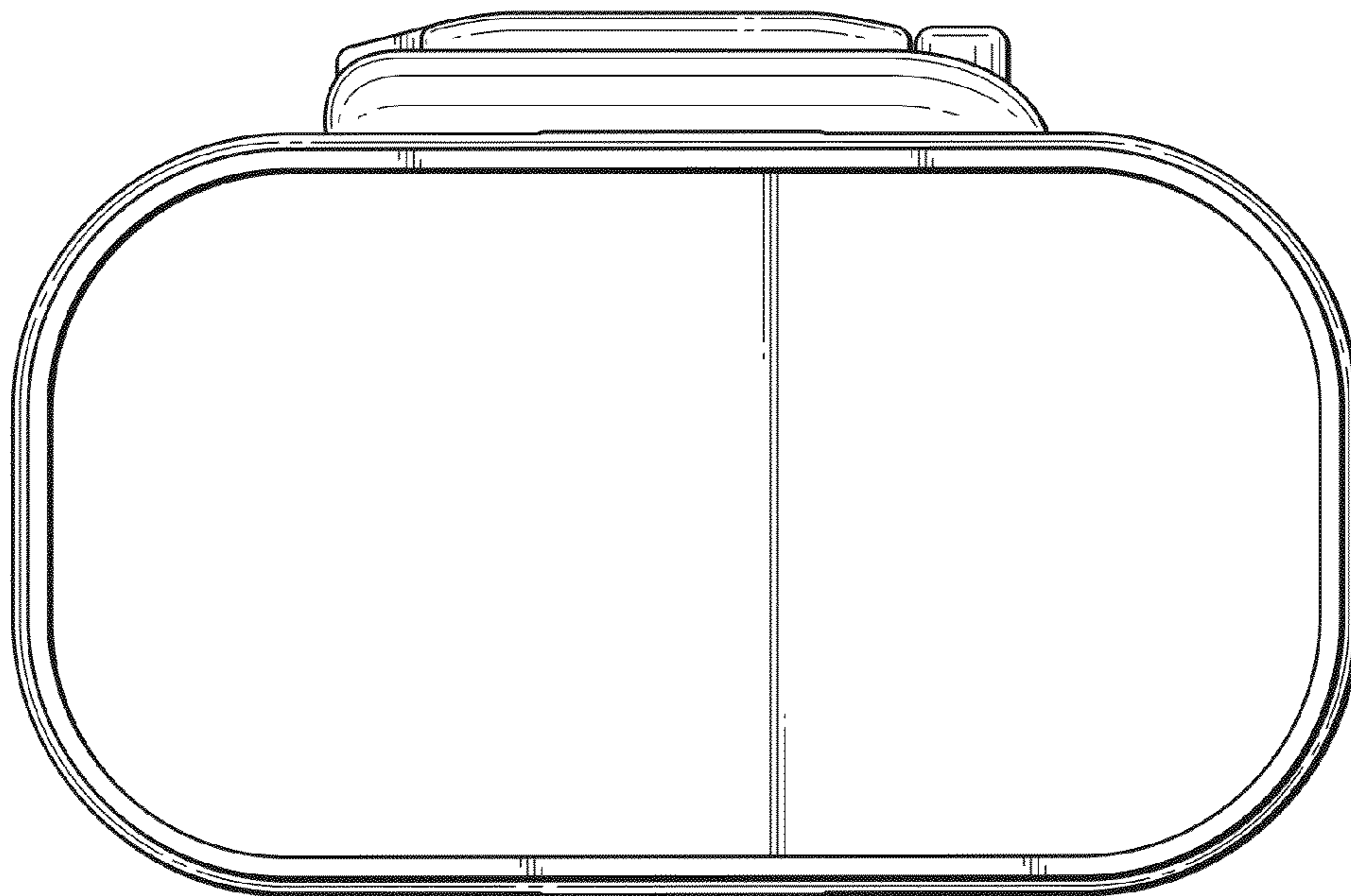


FIG. 5

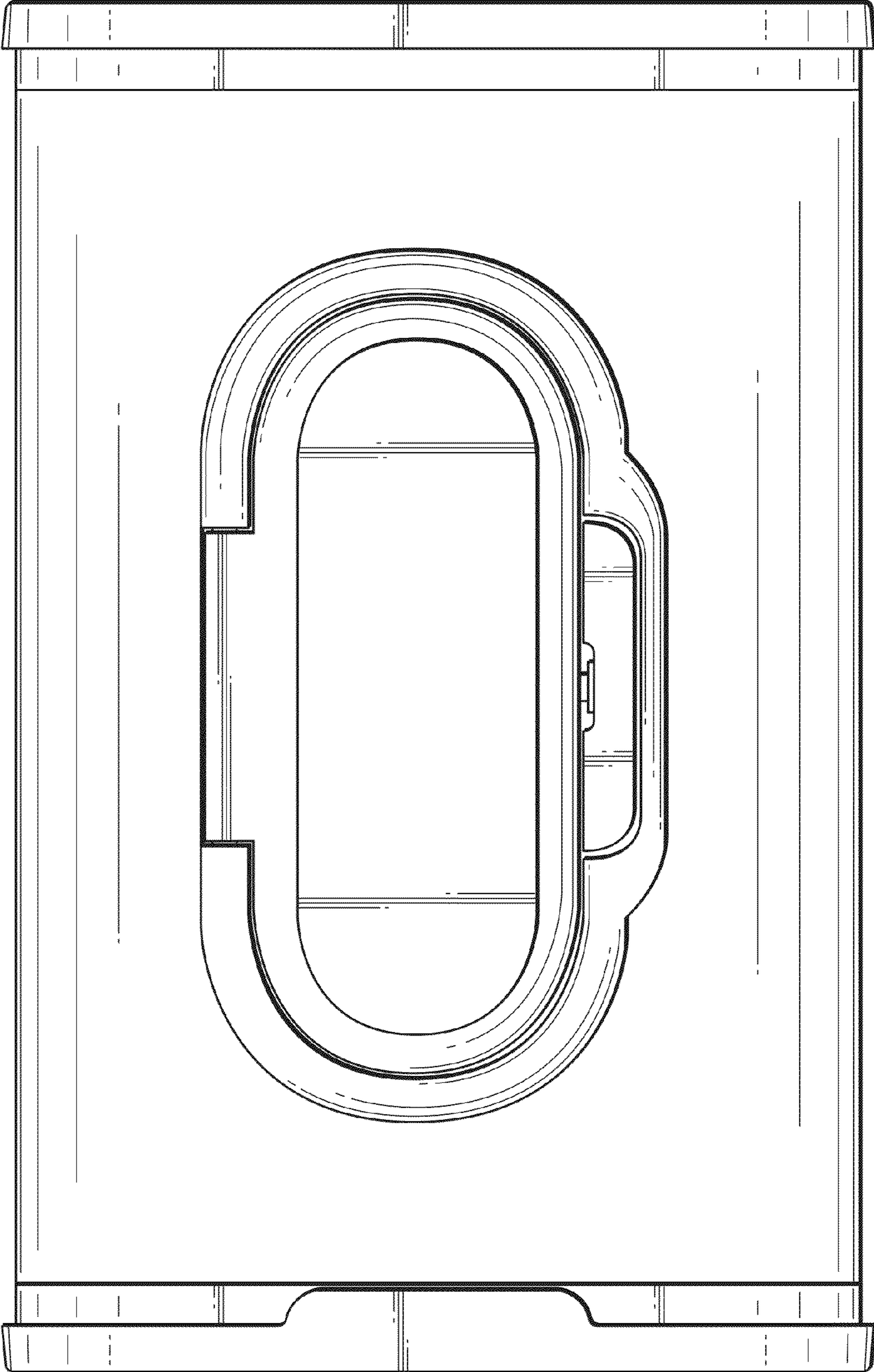


FIG. 6

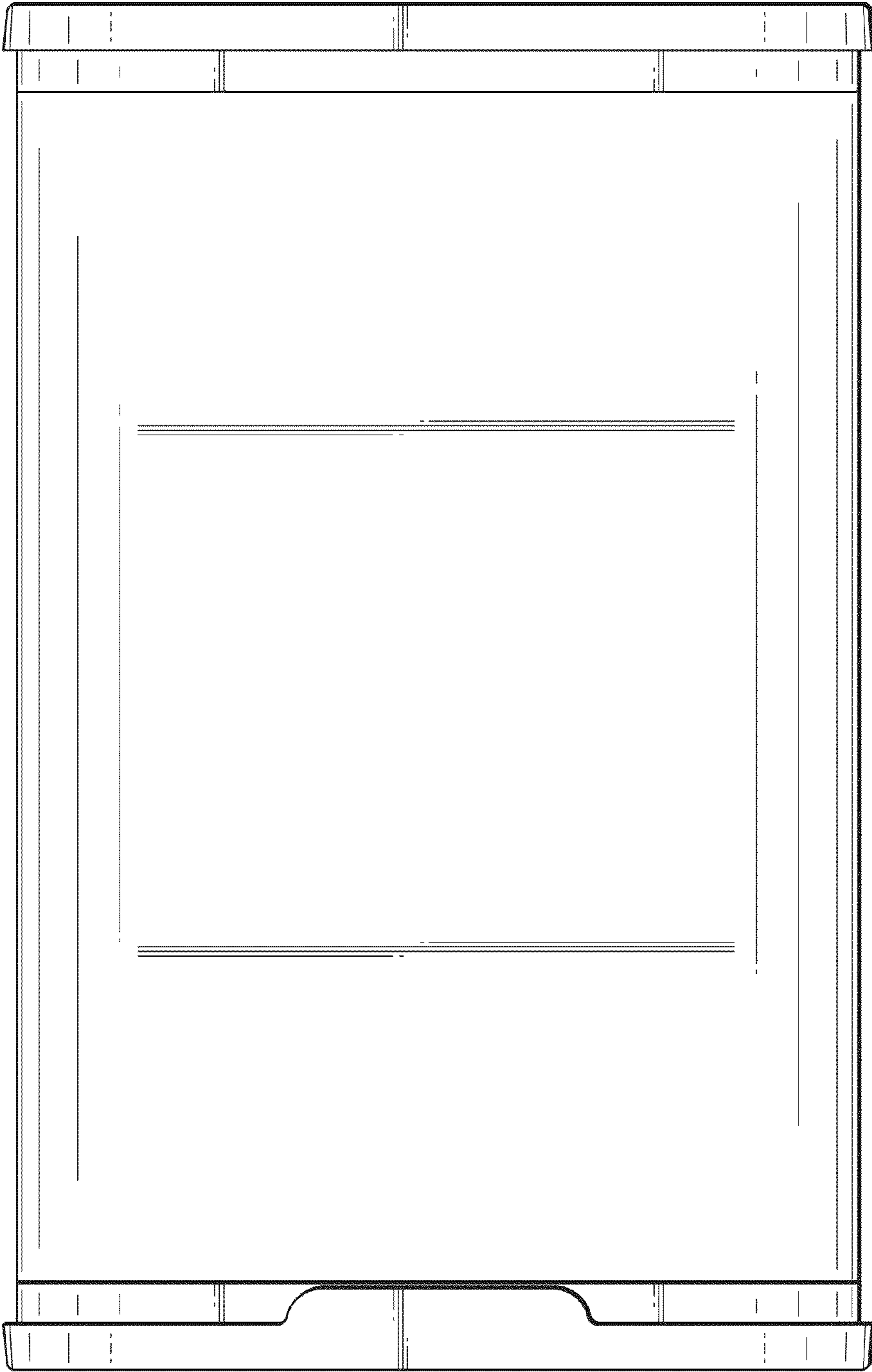


FIG. 7