



US00D709767S

(12) **United States Design Patent**
Morrison et al.

(10) **Patent No.:** **US D709,767 S**
(45) **Date of Patent:** **** Jul. 29, 2014**

(54) **PACKAGE PORTION FOR A MEDICAL PRODUCT**

(71) Applicant: **Becton, Dickinson and Company**,
Franklin Lakes, NJ (US)
(72) Inventors: **Matthew Morrison**, Morristown, NJ
(US); **Joshua Horvath**, Foster City, CA
(US); **James Sullivan**, Shrewsbury, MA
(US); **Stephen Richards**, Carrywood, ID
(US); **Victor Politis**, Framingham, MA
(US)

(73) Assignee: **Becton, Dickinson and Company**,
Franklin Lakes, NJ (US)

(**) Term: **14 Years**

(21) Appl. No.: **29/449,331**

(22) Filed: **Mar. 14, 2013**

(51) **LOC (10) Cl.** **09-07**

(52) **U.S. Cl.**
USPC **D9/456**

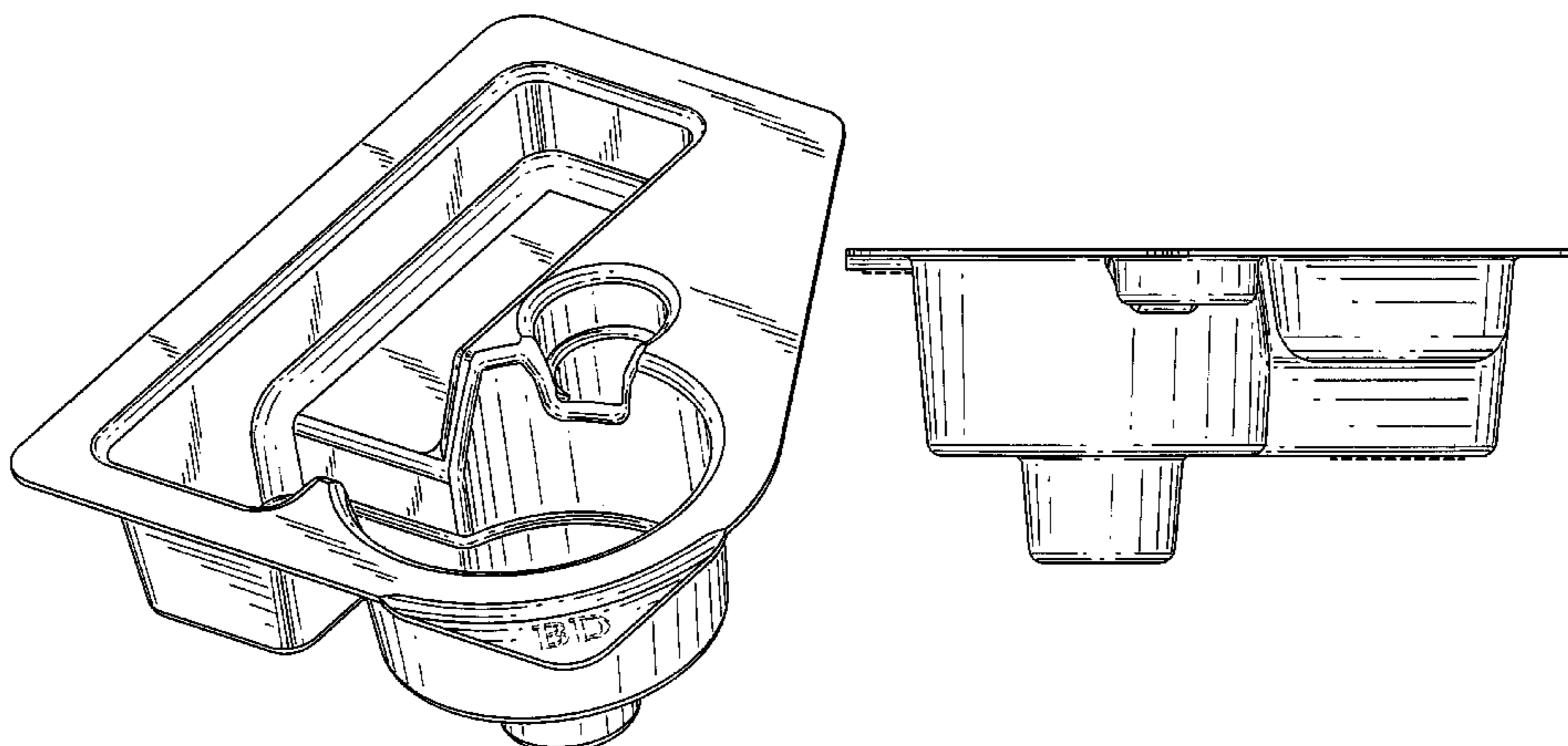
(58) **Field of Classification Search**
USPC D9/424, 414, 415, 418, 419, 425, 426,
D9/429, 430, 432, 457, 456, 748, 749, 416,
D9/423, 439, 440, 455, 506, 518, 522, 523,
D9/529, 530, 544, 545, 553, 564, 566, 763,
D9/753, 757, 760, 761, 764, 772, 773,
D9/776; D3/200, 218, 273; 360/99.21,
360/99.16; 206/272, 365, 367, 363, 370,
206/470, 461, 463, 469, 505, 508, 521, 543,
206/557, 570, 771; 29/428; 604/506;
D24/107, 108, 117, 121, 123, 128, 131,
D24/227, 229; D7/354, 392.1, 394, 396.1,
D7/538, 543-545, 550.1, 554.1, 575, 584,
D7/586, 560, 601, 602, 605, 629

See application file for complete search history.

(56) **References Cited**

U.S. PATENT DOCUMENTS

2,966,986	A	1/1961	Jones	
D218,403	S *	8/1970	Friedberg	D9/415
3,825,002	A	7/1974	Paige	
D260,368	S *	8/1981	Dunshee et al.	D9/415
4,469,226	A *	9/1984	Matney	206/470
4,605,399	A	8/1986	Weston et al.	
D355,600	S *	2/1995	Ford	D9/415
5,474,181	A	12/1995	Shillington et al.	
5,485,917	A *	1/1996	Early	206/363
D371,071	S *	6/1996	Ford	D9/415
5,545,145	A	8/1996	Clinton et al.	
D373,527	S *	9/1996	Phillips	D9/415
5,582,599	A	12/1996	Daneshvar	
D380,272	S *	6/1997	Partika et al.	D24/229
D396,632	S *	8/1998	Lee	D9/415
5,797,882	A	8/1998	Purdy et al.	
D405,688	S *	2/1999	Lee et al.	D9/415
5,868,245	A	2/1999	Alt	
5,925,017	A	7/1999	Kriesel et al.	
5,968,021	A	10/1999	Ejlersen	
D427,061	S	6/2000	Niksich	
6,159,193	A	12/2000	Tuerk	
6,293,925	B1	9/2001	Safabash et al.	
D478,001	S *	8/2003	Milan	D9/415
D484,044	S *	12/2003	Milan	D9/415
6,830,562	B2	12/2004	Mogensen et al.	
6,921,383	B2	7/2005	Vitello	
D512,157	S *	11/2005	Wu et al.	D24/227
7,100,771	B2	9/2006	Massengale et al.	
7,207,974	B2	4/2007	Safabash et al.	
D554,493	S *	11/2007	Bochmann et al.	D9/415
D579,541	S	10/2008	Mogensen et al.	
D589,340	S *	3/2009	Busse et al.	D9/424
7,585,287	B2	9/2009	Bresina et al.	
7,621,395	B2	11/2009	Mogensen et al.	
D606,856	S	12/2009	Ginsberg et al.	
7,699,807	B2	4/2010	Faust et al.	
7,731,691	B2	6/2010	Cote et al.	
D625,994	S *	10/2010	Krupa	D9/424
D642,048	S *	7/2011	Ocampo et al.	D9/424
D642,904	S *	8/2011	Turvey	D9/424
8,113,348	B2 *	2/2012	Foster	206/363
8,162,892	B2	4/2012	Mogensen et al.	
8,172,805	B2	5/2012	Mogensen et al.	
8,231,602	B2	7/2012	Anderson et al.	
D674,687	S	1/2013	Cote et al.	
D692,749	S *	11/2013	Larson et al.	D9/424
2003/0121812	A1	7/2003	Sprieck et al.	
2004/0195145	A1 *	10/2004	Roshdy	206/570



2006/0058599	A1	3/2006	Cummings et al.	
2009/0218243	A1	9/2009	Gyrn et al.	
2010/0063457	A1	3/2010	Crossman	
2010/0179508	A1	7/2010	Mogensen et al.	
2010/0185178	A1	7/2010	Sharp et al.	
2010/0274200	A1	10/2010	Nielsen	
2011/0132796	A1 *	6/2011	Epstein et al.	206/557
2011/0137257	A1	6/2011	Gyrn et al.	
2011/0226652	A1	9/2011	Hickmott et al.	
2012/0022460	A1	1/2012	Horvath et al.	
2012/0029440	A1	2/2012	Boyd et al.	
2013/0066271	A1	3/2013	West	

FOREIGN PATENT DOCUMENTS

EP	0916355	5/1999
EP	2201976	6/2010
GB	2437923	11/2011
WO	WO9109637	7/1991
WO	WO9109639	7/1991
WO	WO9742901	11/1997
WO	WO9933504	7/1999
WO	WO02083021	10/2002
WO	WO2005046780	5/2005
WO	WO2005046781	5/2005
WO	WO2010090734	8/2010
WO	WO2011146042	11/2011

OTHER PUBLICATIONS

Comfort Infusion Set, Photographs of Packaging, Ref. 89-030-2622, Maersk Medical A/S, Denmark.
 Disetronic Ultraflex Subcutaneous Infusion Set, Photographs of Packaging, Ref. 1500133, Disetronic Medical Systems, Inc., St. Paul, MN.
 Mio Infusion Set, Photographs of Packaging, Ref. MMT-923, Medtronic MiniMed, Northridge, CA.
 Orbit 90 Infusion Set, Photographs of Packaging, Ref. P1861, ICU Medical, Inc., San Clemente, CA.
 Orbit 90 Teflon Infusion Set Brochure, http://www.orbit90.ca/Teflon_2.jpg (last visited Feb. 27, 2013).
 Sof-set Micro QR Infusion Set, Photographs of Packaging, Ref. MMT-320, MiniMed, Northridge, CA.
 Spring Infusion Set, Spring Universal Infusion Set, YouTube Video, http://www.youtube.com/watch?feature=player_embedded&v=gWzGbeLDNsQ#t=20s (uploaded Oct. 26, 2011).
 Spring Infusion Set, Unboxing the Spring Infusion Set, YouTube Video, <http://www.youtube.com/watch?v=2zJcbHY3Y8I> (uploaded Aug. 5, 2011).
 Thinset Infusion Set, Photographs of Packaging, Applied Diabetes Research, Inc., Carrollton, TX.

* cited by examiner

Primary Examiner — Eric Goodman
Assistant Examiner — Marie Fast Horse
 (74) *Attorney, Agent, or Firm* — Roylance, Abrams, Berdo & Goodman, L.L.P.

(57) **CLAIM**
 The ornamental design for a package portion for a medical product, as shown and Described.

DESCRIPTION

This application is filed on the same day as U.S. patent application Ser. No. 13/830,009, the disclosure of which is incorporated herein by reference in its entirety.
 FIG. 1 is a perspective view of an embodiment of a package portion for a medical product showing our new design;
 FIG. 2 is another perspective view of the package portion shown in FIG. 1, taken from a different angle;
 FIG. 3 is a top view of the package portion shown in FIG. 1;
 FIG. 4 is a left side elevational view of the package portion shown in FIG. 1;
 FIG. 5 is a front elevational view of the package portion shown in FIG. 1;
 FIG. 6 is a right side elevational view of the package portion shown in FIG. 1;
 FIG. 7 is a rear elevational view of the package portion shown in FIG. 1;
 FIG. 8 is a bottom view of the package portion shown in FIG. 1;
 FIG. 9 is a cross-sectional view of the package portion shown in FIG. 1 taken along the line 9-9 of FIG. 3;
 FIG. 10 is a perspective view of another embodiment of a package portion for a medical product showing our new design;
 FIG. 11 is another perspective view of the package portion shown in FIG. 10, taken from a different angle;
 FIG. 12 is a top view of the package portion shown in FIG. 10;
 FIG. 13 is a left side elevational view of the package portion shown in FIG. 10;
 FIG. 14 is a front elevational view of the package portion shown in FIG. 10;
 FIG. 15 is a right side elevational view of the package portion shown in FIG. 10;
 FIG. 16 is a rear elevational view of the package portion shown in FIG. 10;
 FIG. 17 is a bottom view of the package portion shown in FIG. 10; and,
 FIG. 18 is a cross-sectional view of the package shown in FIG. 10 taken along the line 18-18 of FIG. 12.
 The embodiment of FIGS. 10-18 is substantially the same as the embodiment of FIGS. 1-9, with the exception of certain elements, shown, for example, in FIGS. 12, 17, and 18.
 The broken lines showing symbols and alphanumeric characters are for the purpose of illustrating portions of the article, and form no part of the claimed design.

1 Claim, 17 Drawing Sheets

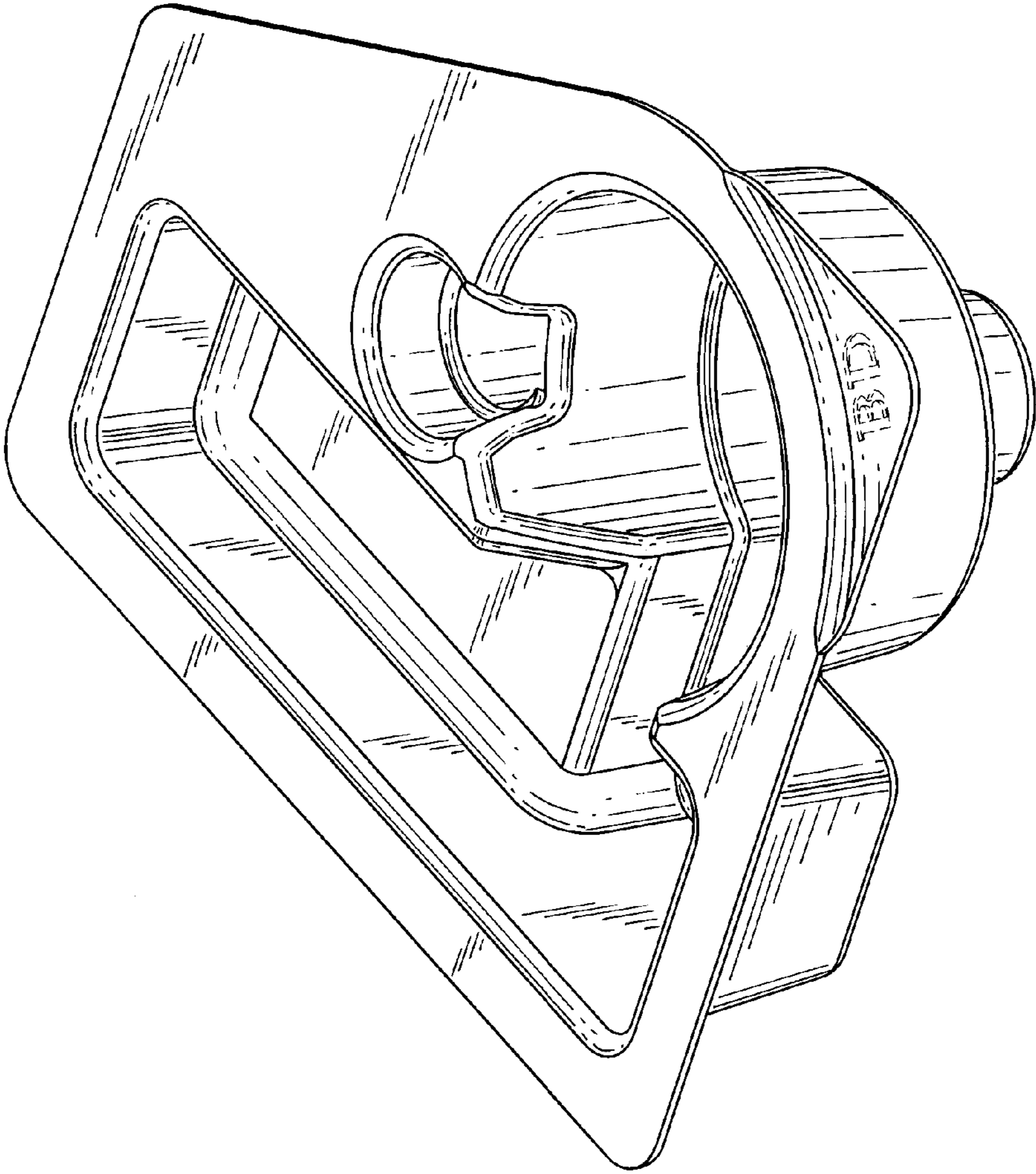


FIG. 1

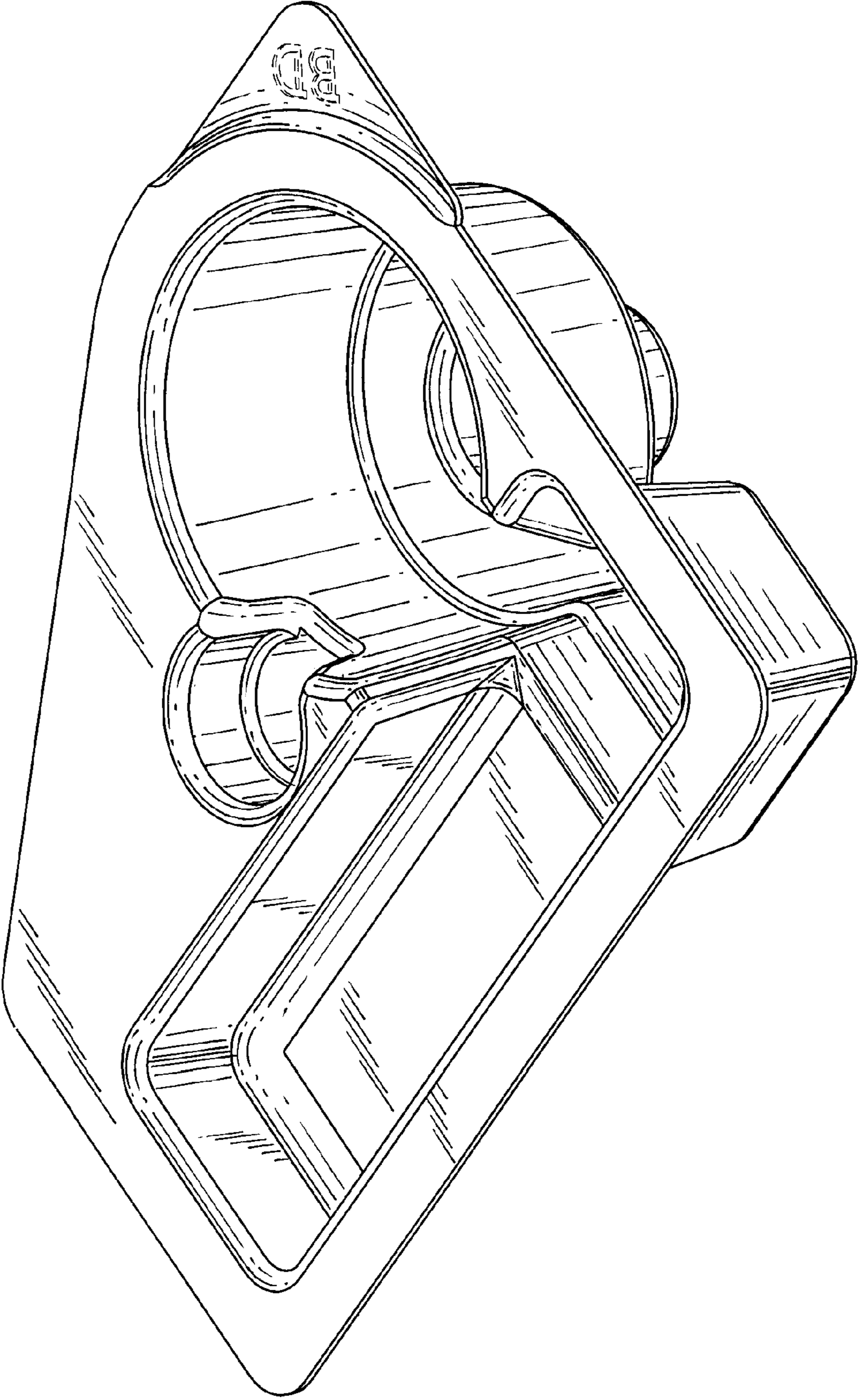


FIG. 2

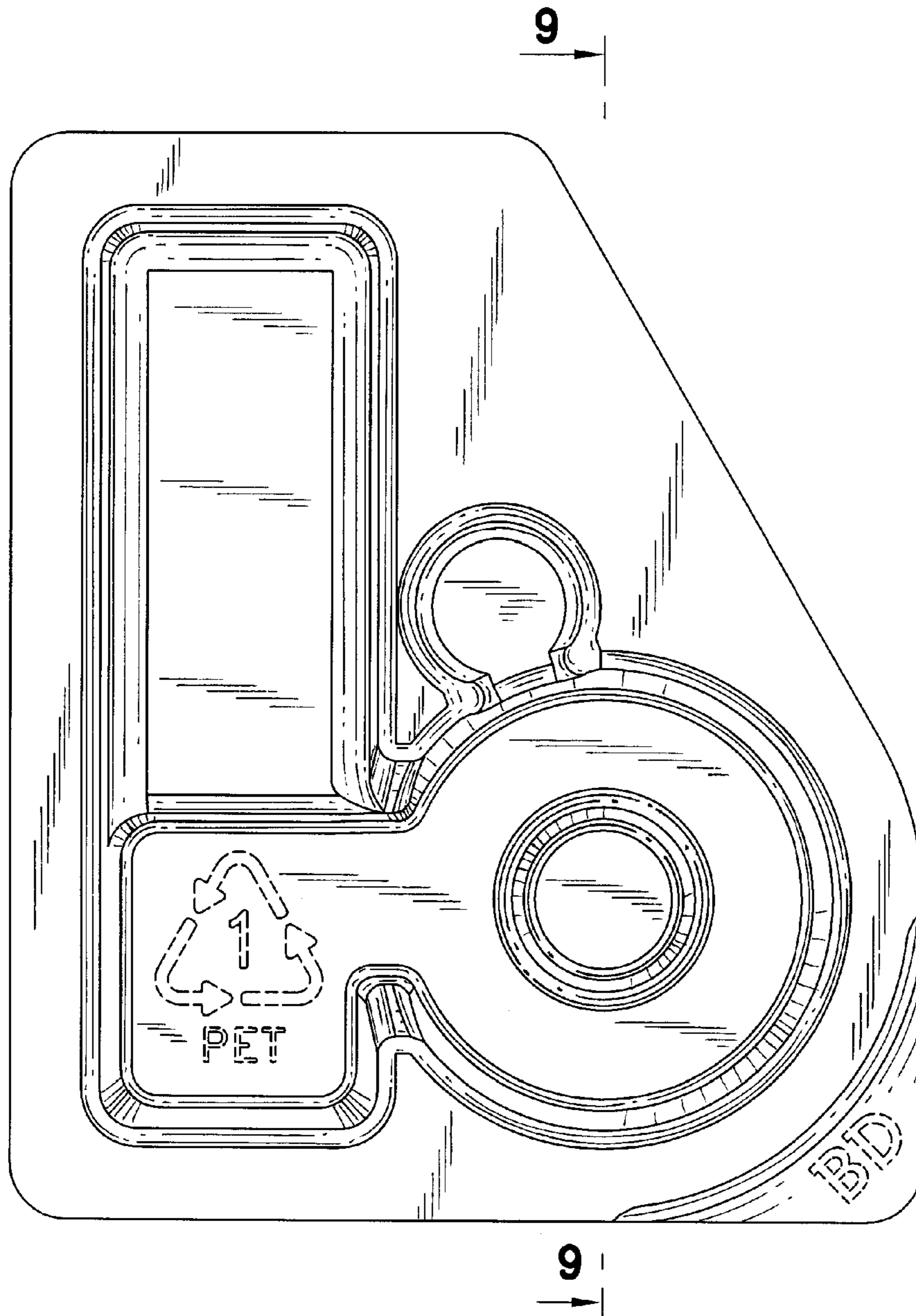


FIG.3

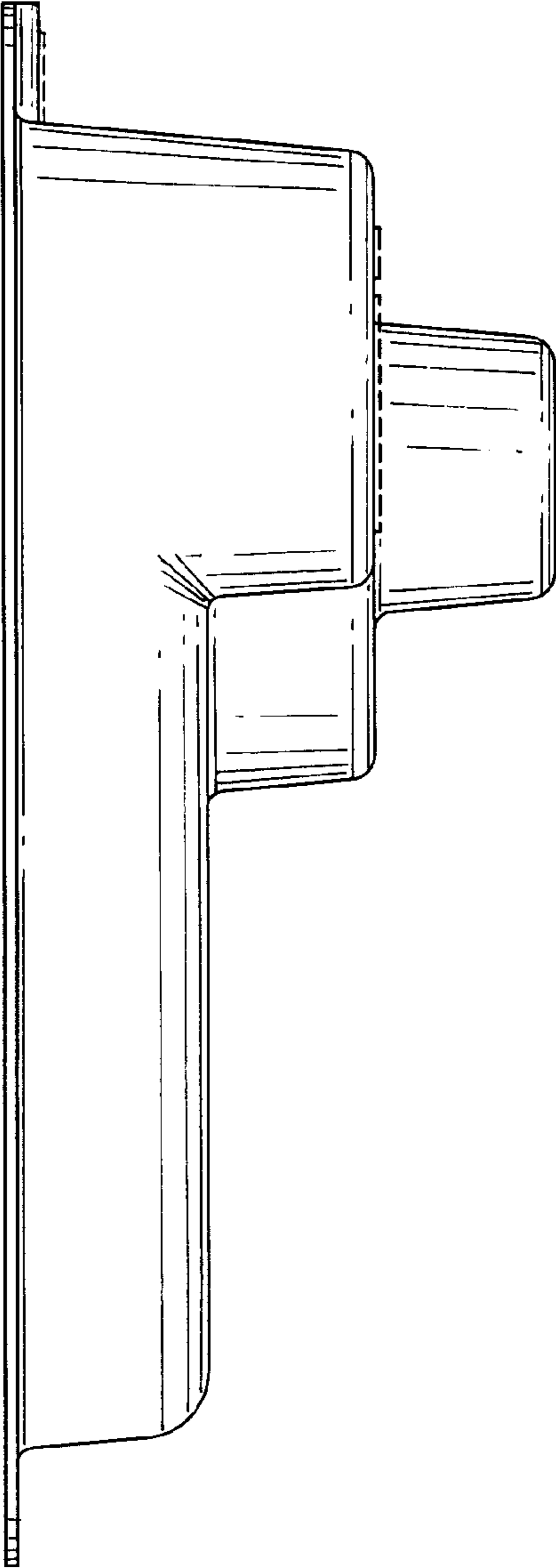


FIG.4

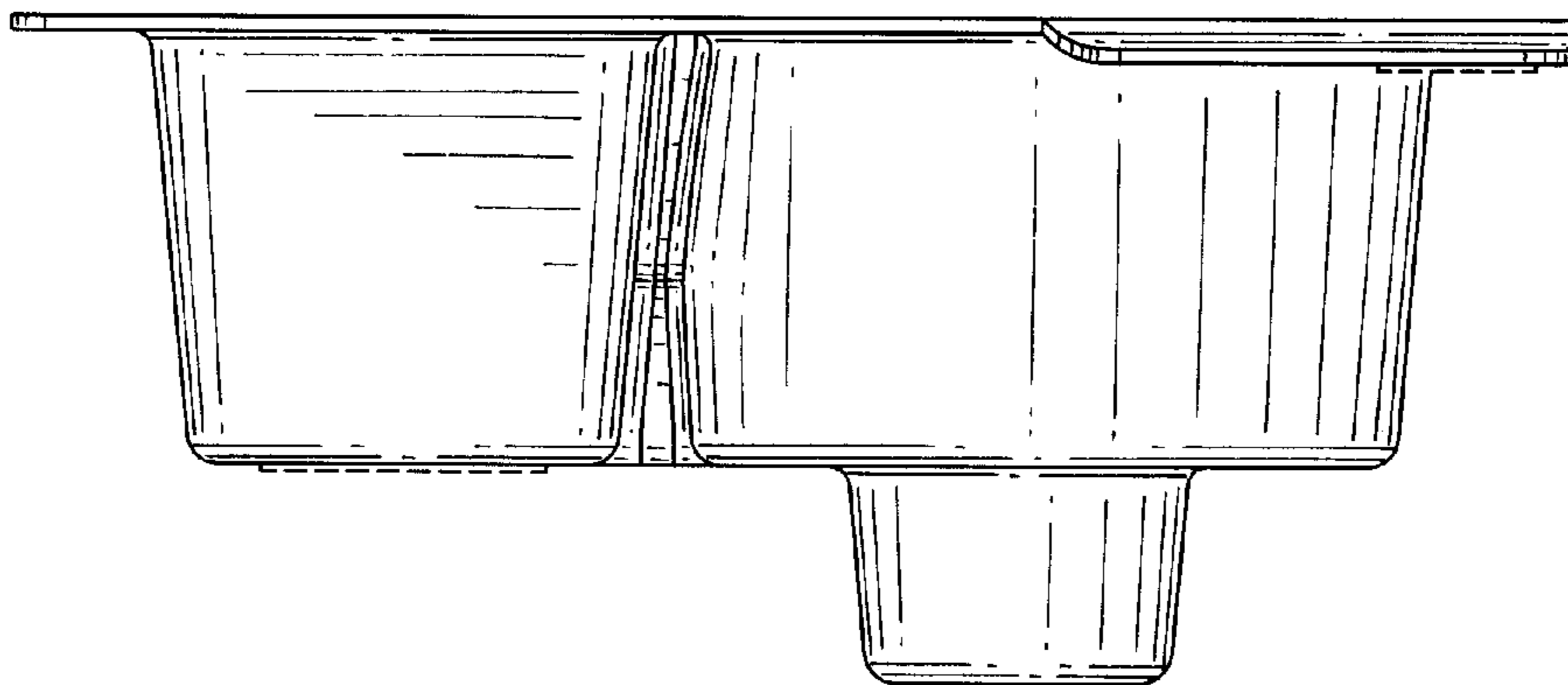


FIG.5

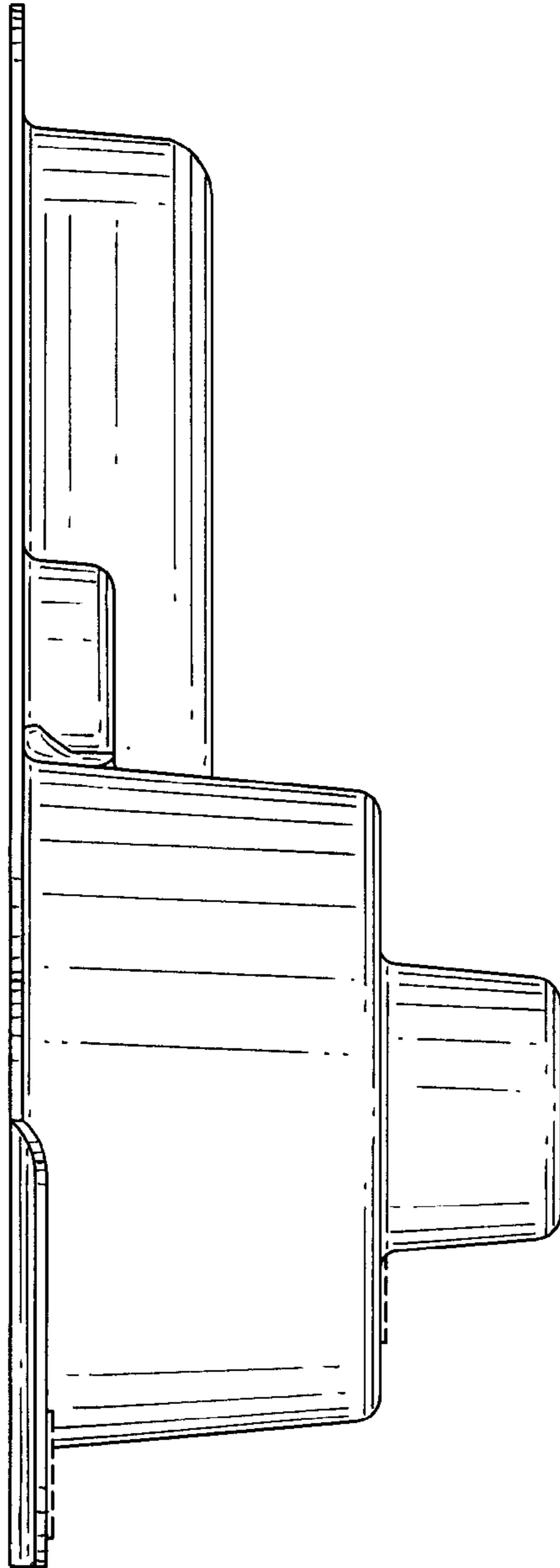


FIG. 6

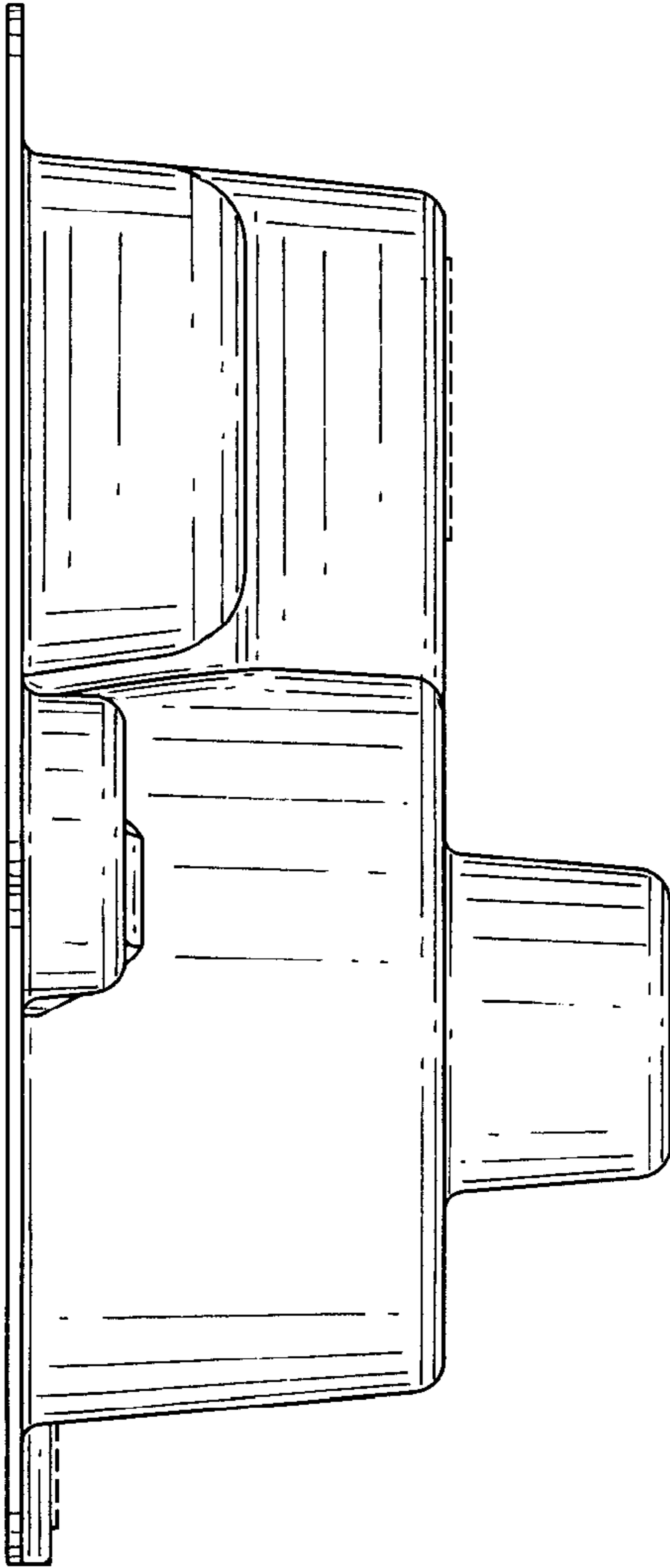


FIG. 7

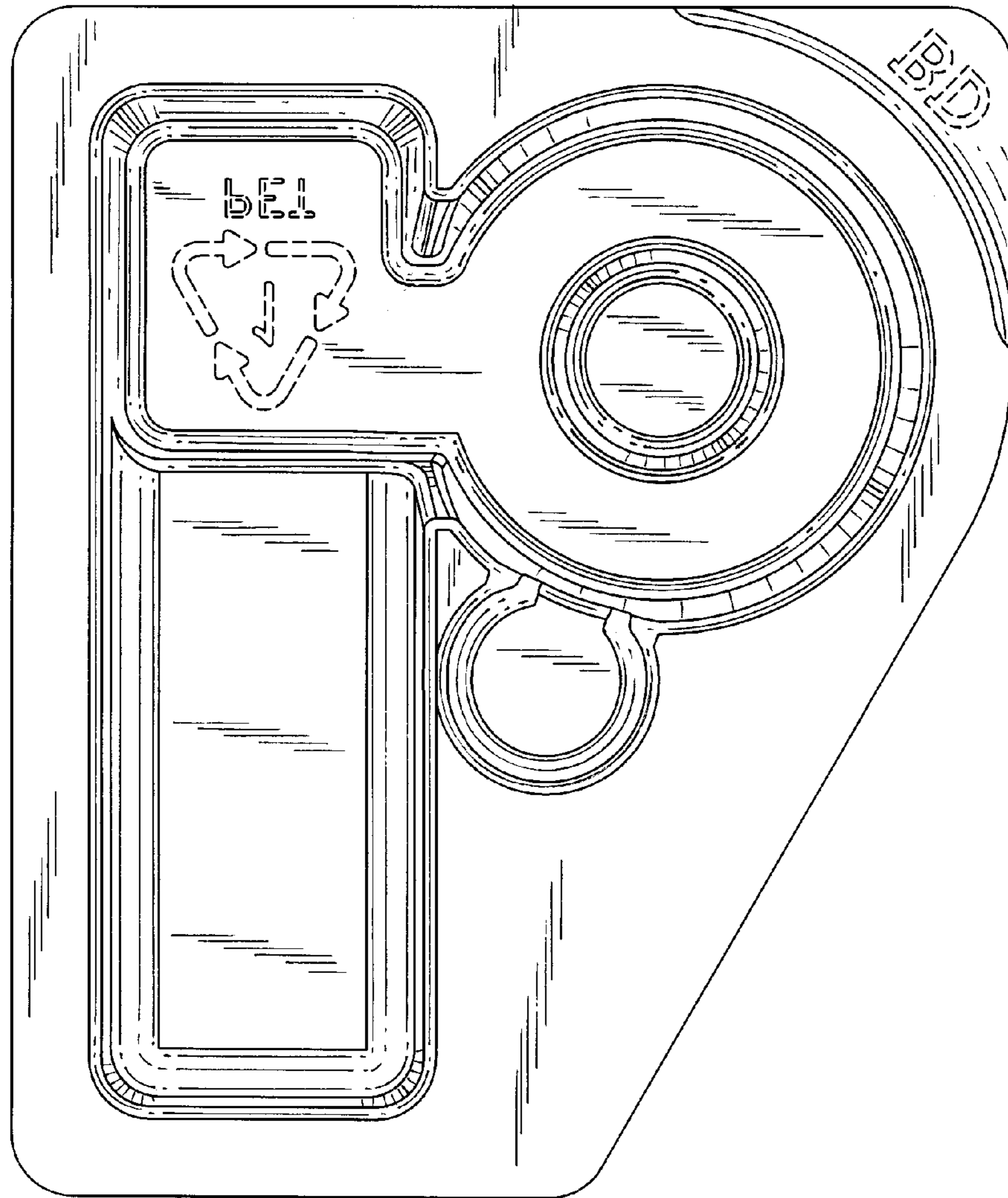


FIG.8

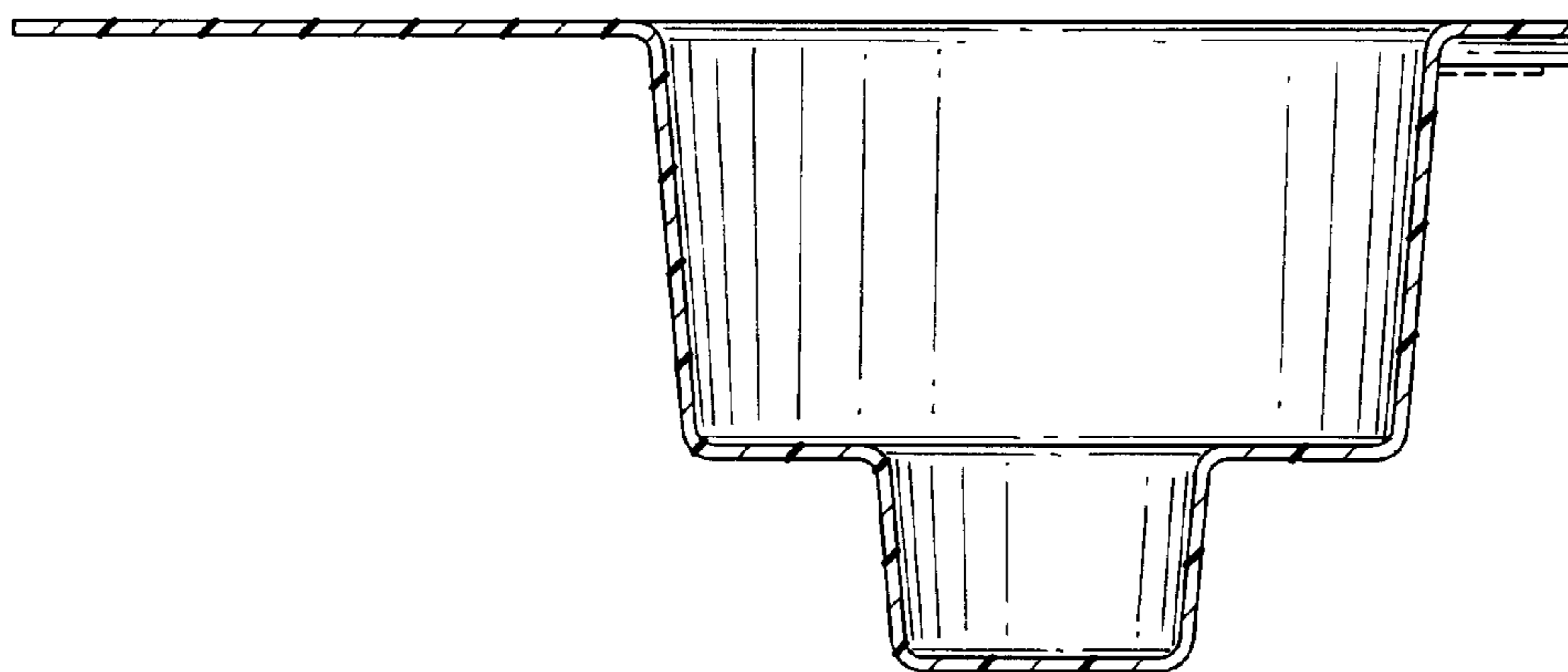


FIG. 9

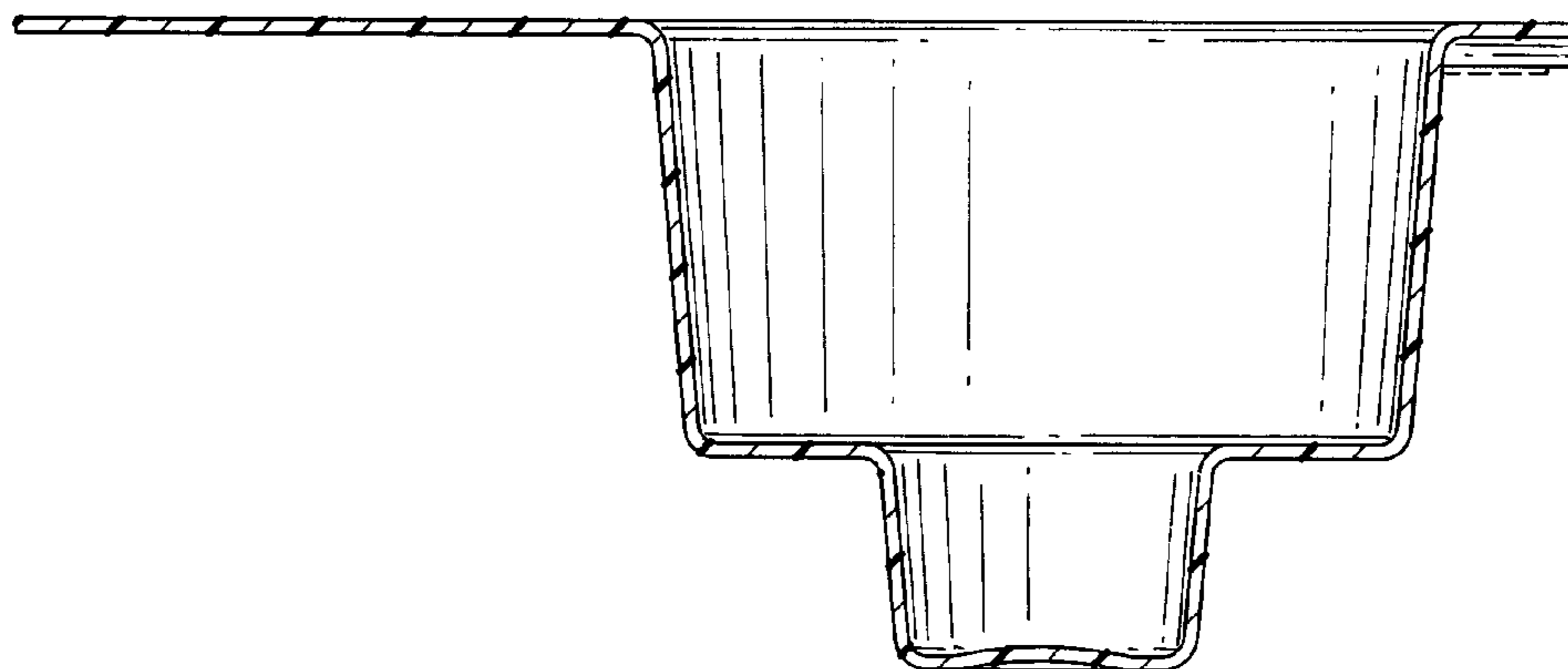


FIG. 18

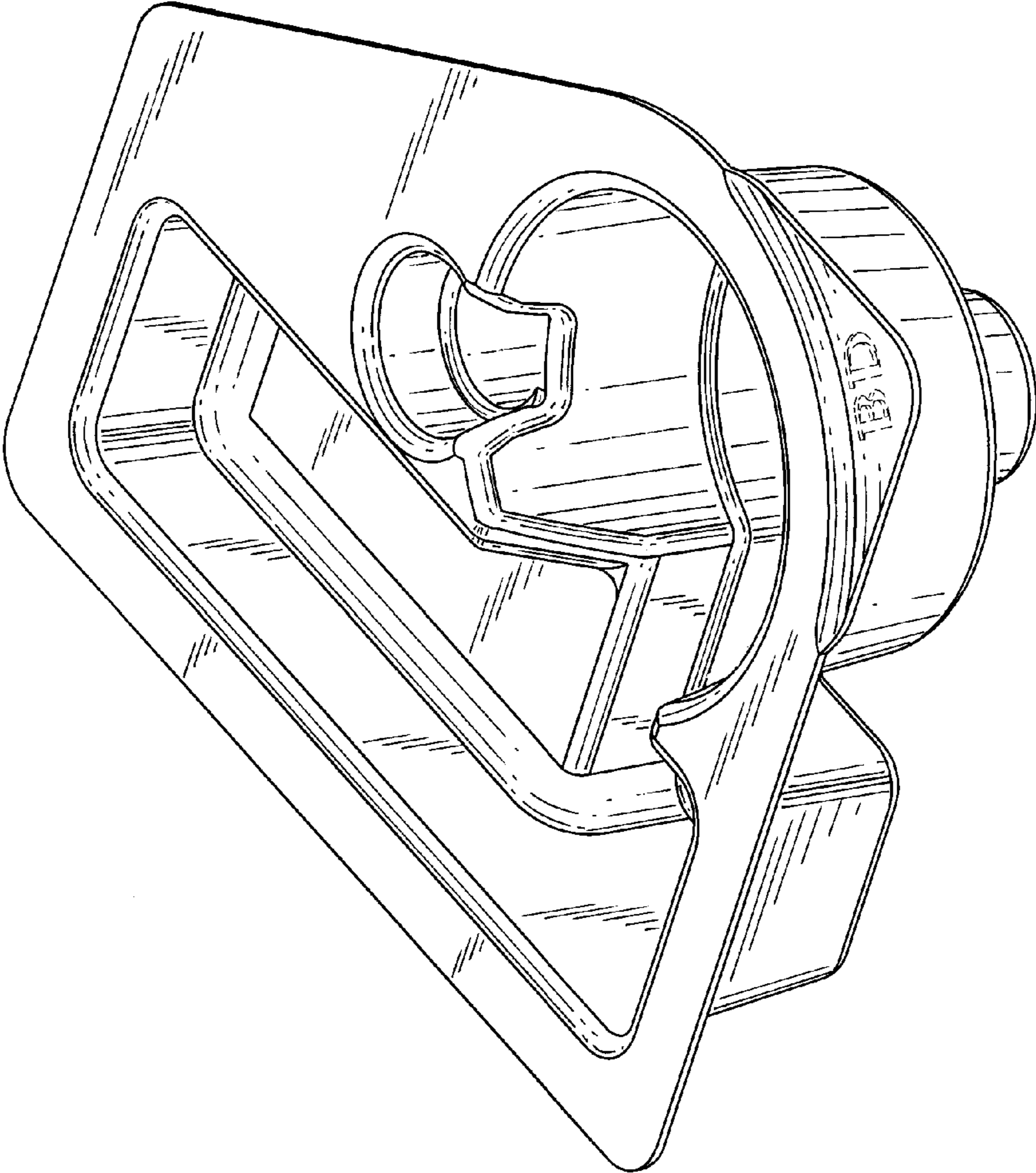


FIG. 10

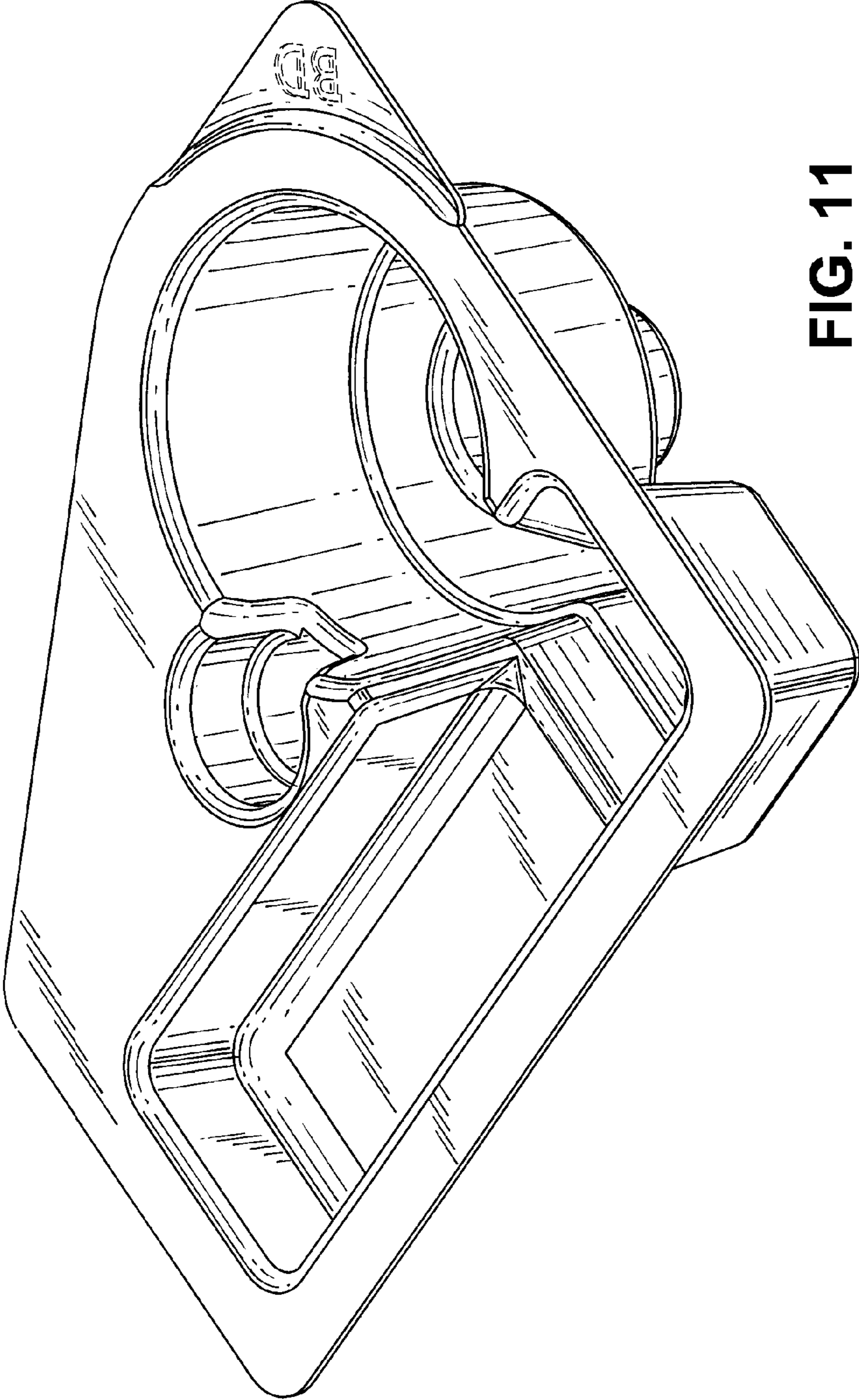


FIG. 11

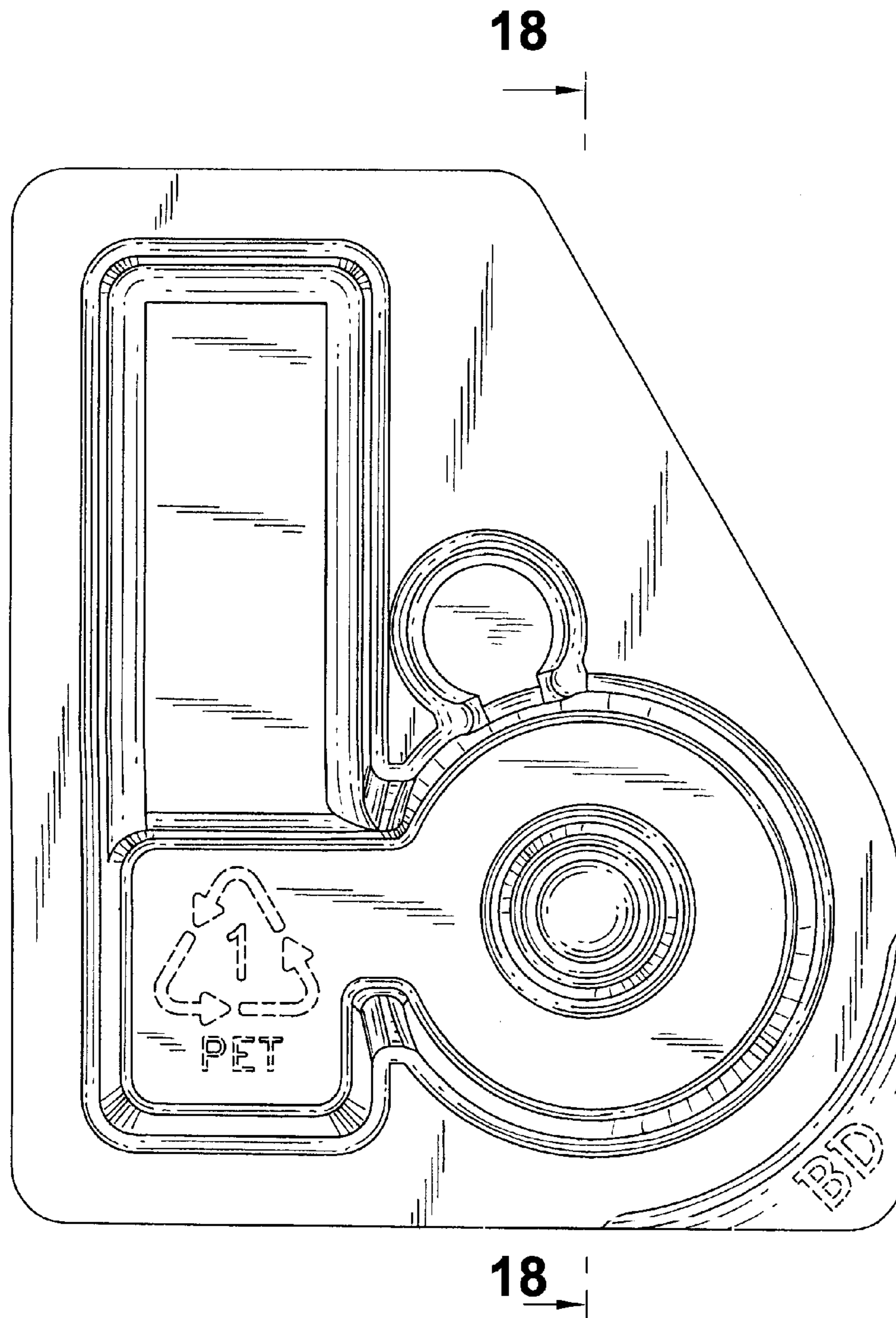


FIG. 12

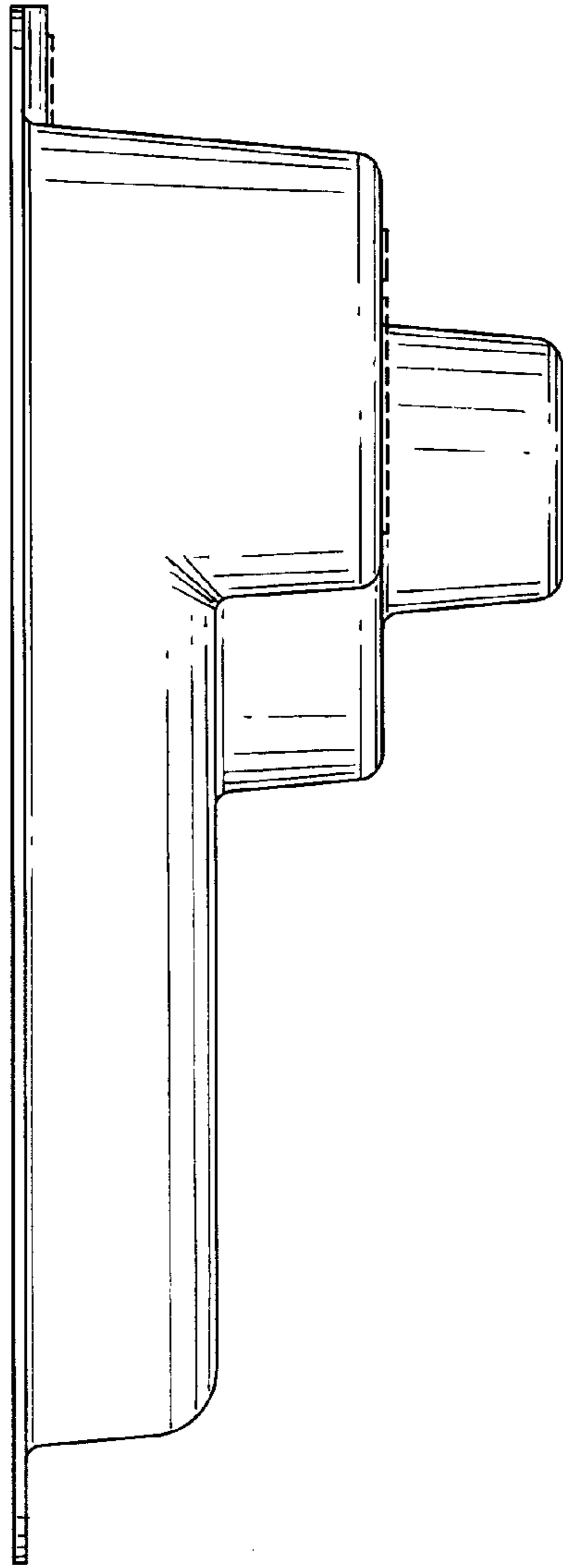


FIG. 13

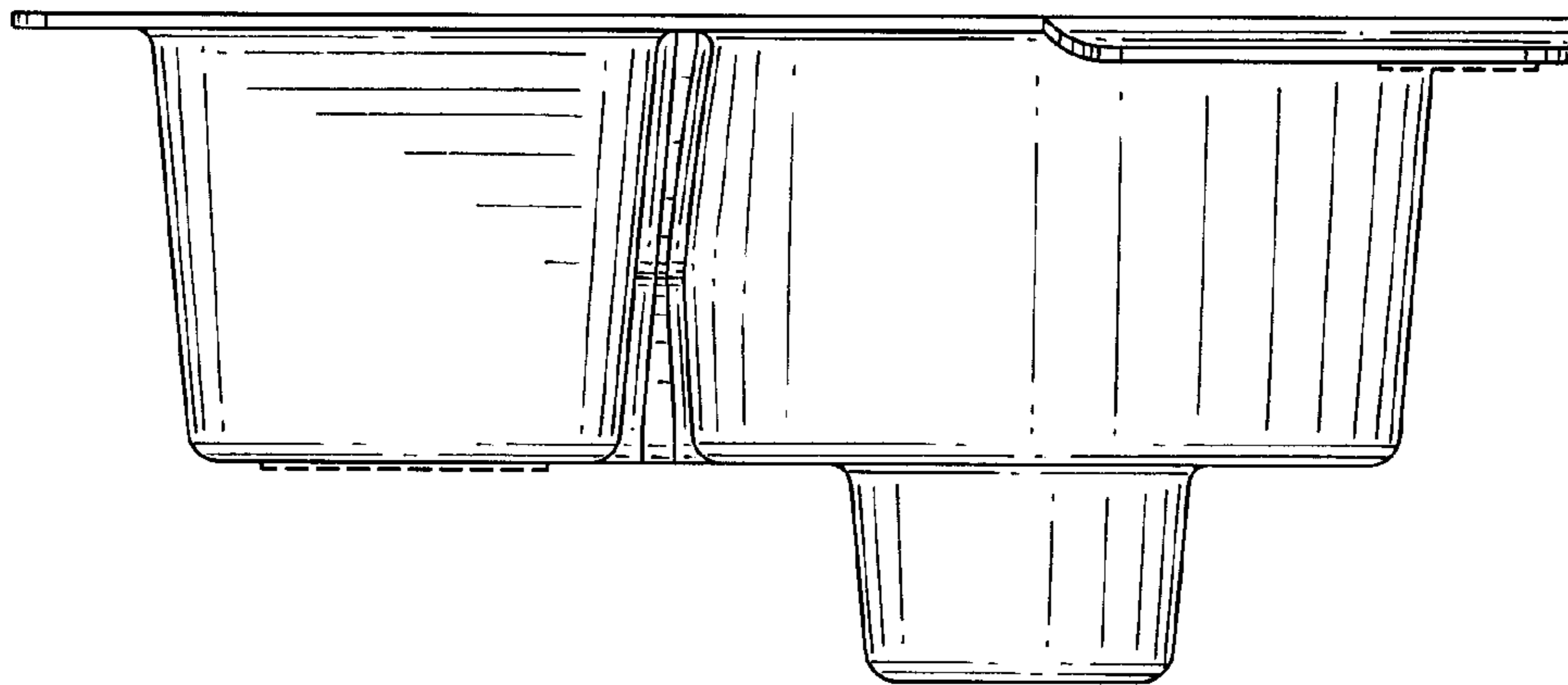


FIG. 14

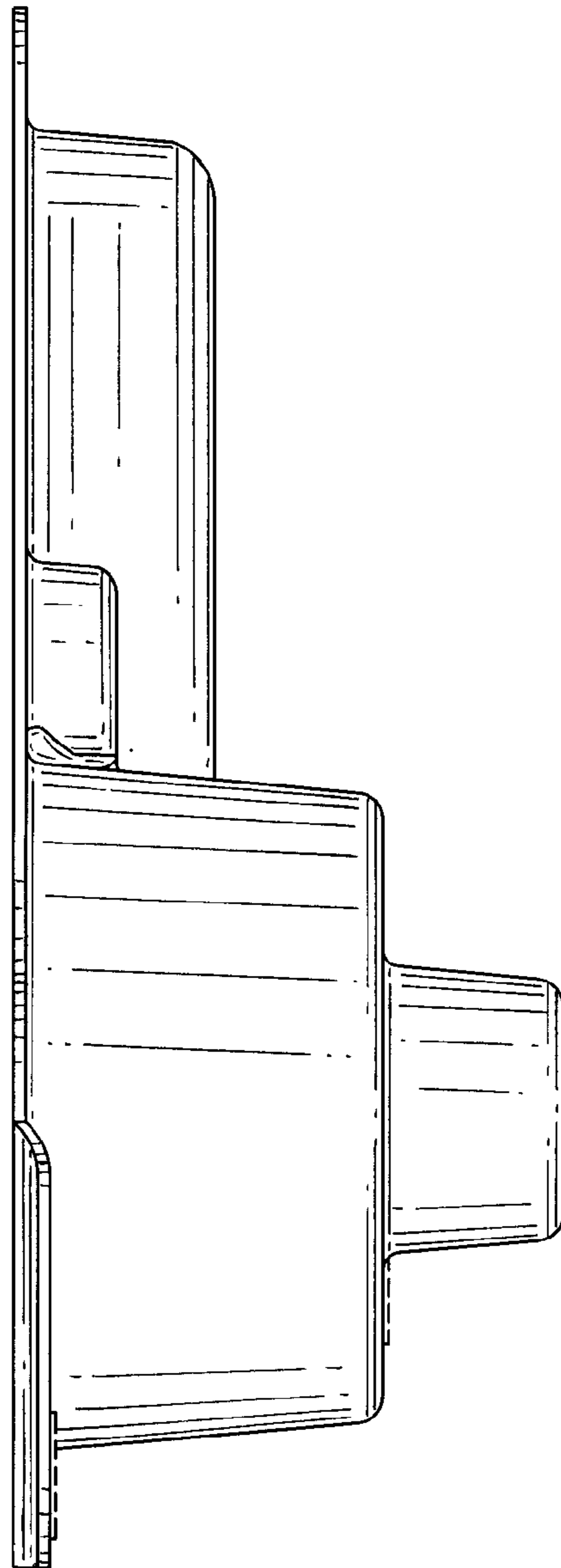


FIG. 15

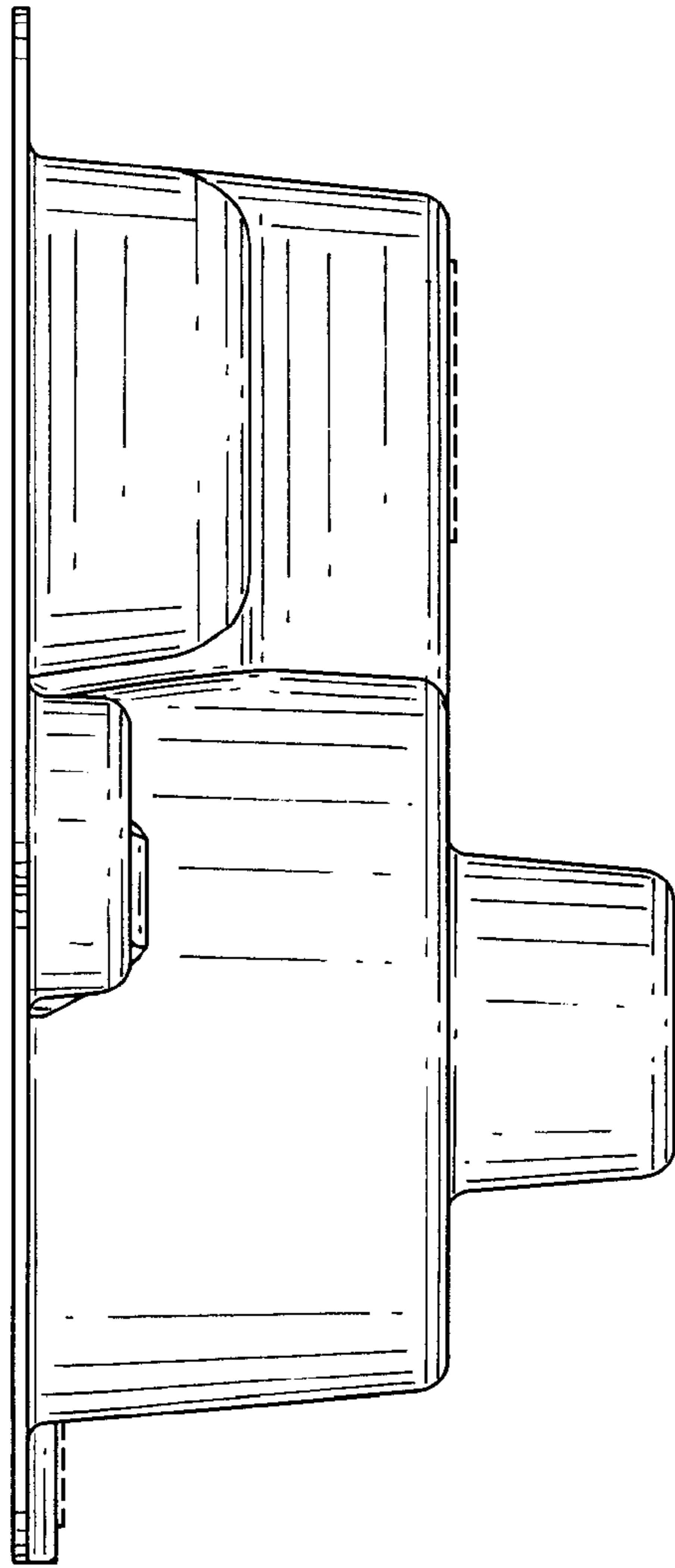


FIG. 16

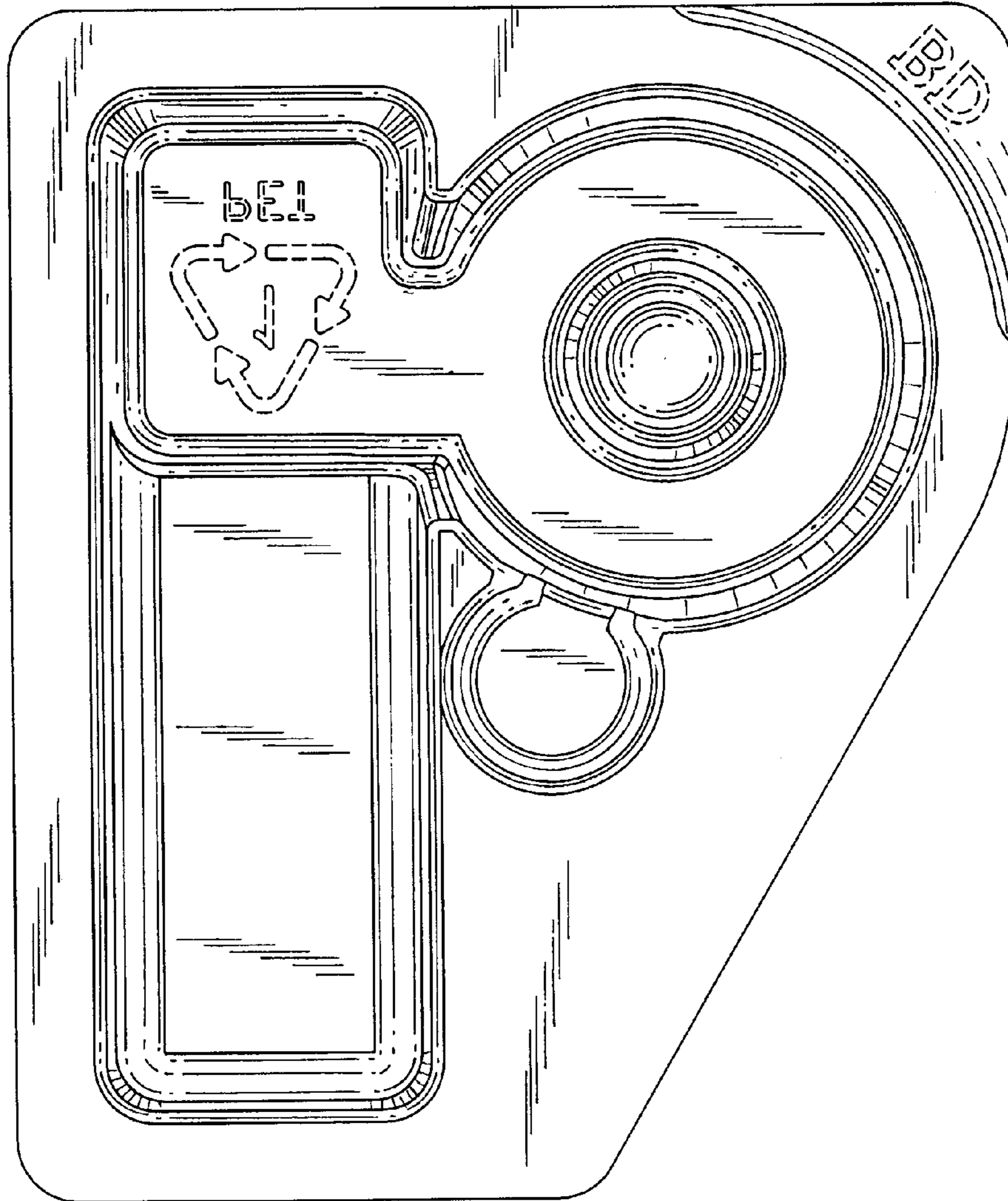


FIG.17