



US00D709766S

(12) **United States Design Patent**
Miceli et al.

(10) **Patent No.:** **US D709,766 S**
(45) **Date of Patent:** **** Jul. 29, 2014**

- (54) **PHARMACEUTICAL CAP**
- (75) Inventors: **David A. Miceli**, Reno, NV (US);
Joseph A. Miceli, Spencer, TN (US)
- (73) Assignee: **Tri State Distribution, Inc.**, Sparta, TN (US)
- (**) Term: **14 Years**
- (21) Appl. No.: **29/430,710**
- (22) Filed: **Aug. 29, 2012**

5,711,442 A	1/1998	Kusz	
5,899,348 A	5/1999	Konefal et al.	
5,927,532 A	7/1999	Traub	
D415,962 S *	11/1999	Garcia	D9/453
6,039,195 A	3/2000	Konefal et al.	
6,327,770 B1	12/2001	Konefal et al.	
D460,357 S *	7/2002	Kras et al.	D9/435
6,446,823 B2	9/2002	Miceli et al.	
6,523,709 B2	2/2003	Miceli et al.	
6,523,710 B1 *	2/2003	Hidding et al.	215/252
D492,596 S *	7/2004	Miceli et al.	D9/435
6,802,427 B2	10/2004	Miceli et al.	

(Continued)

Primary Examiner — Robert M Spear
Assistant Examiner — Marissa Cash
(74) *Attorney, Agent, or Firm* — Luedeka Neely Group, PC

Related U.S. Application Data

- (63) Continuation-in-part of application No. 29/422,544, filed on May 22, 2012, now Pat. No. Des. 679,598, and a continuation-in-part of application No. 29/422,556, filed on May 22, 2012, now Pat. No. Des. 680,001.

- (51) **LOC (10) Cl.** **09-07**
- (52) **U.S. Cl.**
USPC **D9/453**

- (58) **Field of Classification Search**
USPC D7/396.2, 507, 509, 510, 511; D9/434, D9/435, 443, 444, 448, 452, 453, 454; D24/224; 215/200, 235, 236, 252, 254, 215/329, 355-364; 220/200
See application file for complete search history.

(56) **References Cited**

U.S. PATENT DOCUMENTS

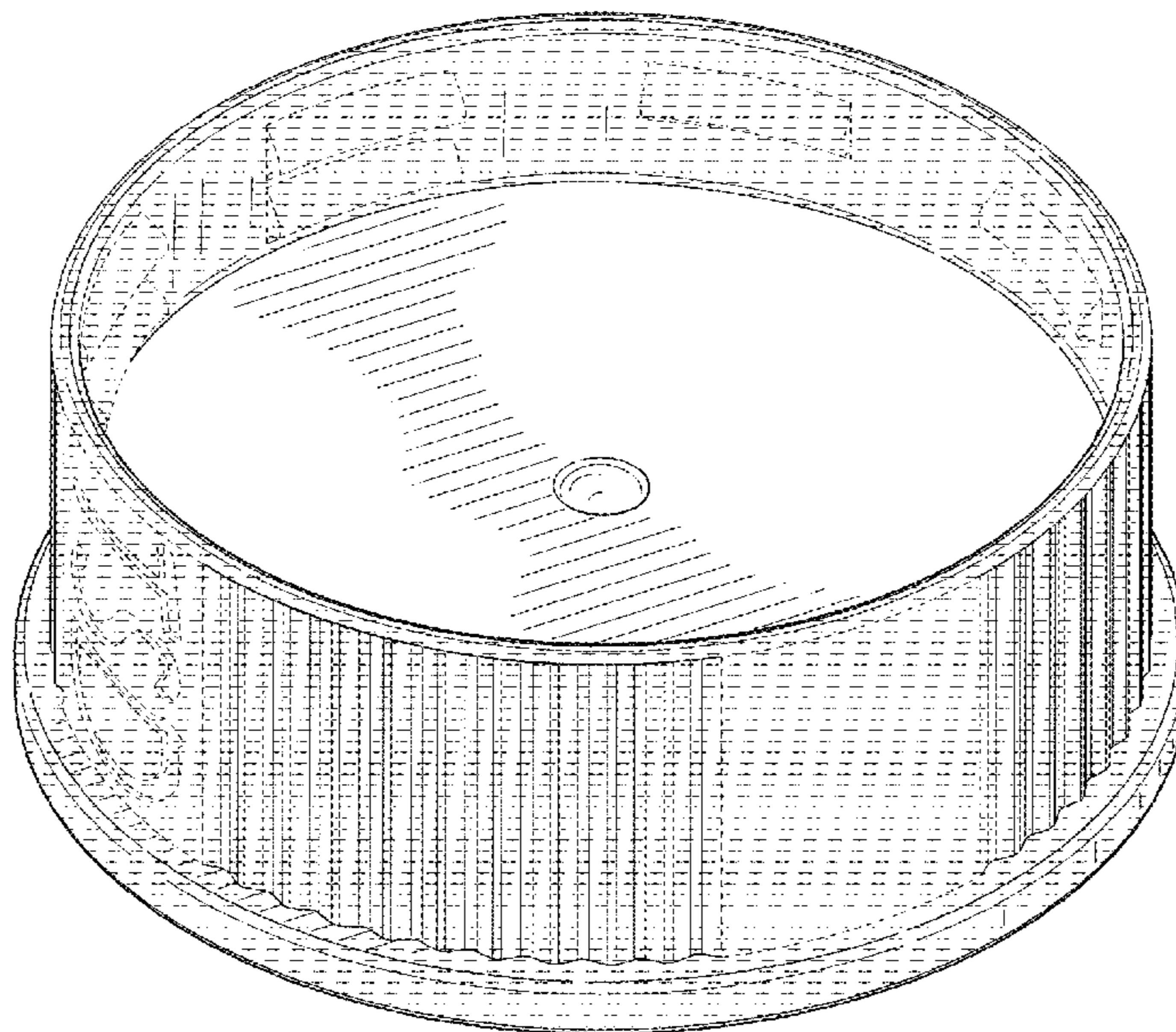
3,865,267 A	2/1975	Morris	
4,103,797 A	8/1978	Morris	
D266,906 S *	11/1982	Guerette	D9/453
D315,507 S *	3/1991	Ochs	D9/453
5,092,477 A	3/1992	Johnson et al.	
5,307,945 A *	5/1994	Hidding et al.	215/329
5,464,110 A	11/1995	Heyworth	

- (57) **CLAIM**
The ornamental design for a pharmaceutical cap, as shown.

DESCRIPTION

FIG. 1 is an upper perspective view of a pharmaceutical cap of our new design;
FIG. 2 is another upper perspective view of the cap of FIG. 1, rotated from the view of FIG. 1;
FIG. 3 is a perspective view of the underside of the cap of FIG. 1;
FIG. 4 is another perspective view of the underside of the cap of FIG. 1, rotated from the view of FIG. 3;
FIG. 5 is a side elevation view of the cap of FIG. 1;
FIG. 6 is an opposite side elevation view of the cap of FIG. 1;
FIG. 7 is a top plan view of the cap of FIG. 1; and,
FIG. 8 is a bottom plan view of the cap of FIG. 1.
All drawings contain markings indicating the color gray.
The broken lines in the drawings are included for the purpose of illustrating unclaimed features and form no part of the claimed design.

1 Claim, 7 Drawing Sheets



(56)

References Cited

U.S. PATENT DOCUMENTS

6,926,161 B2	8/2005	Miceli et al.	
7,000,789 B2	2/2006	Miceli et al.	
D548,081 S *	8/2007	Noonan	D9/453
7,401,706 B2	7/2008	Shingle	
D632,958 S *	2/2011	Fuchs	D9/453
7,891,509 B2	2/2011	Konefal	
8,006,852 B1	8/2011	Miceli et al.	
D688,128 S *	8/2013	Krause	D9/453
8,662,331 B2 *	3/2014	Miceli et al.	215/230
2009/0039083 A1 *	2/2009	Stull et al.	220/257.1
2009/0140513 A1	6/2009	Priebe et al.	
2014/0054256 A1 *	2/2014	Miceli et al.	215/203

* cited by examiner

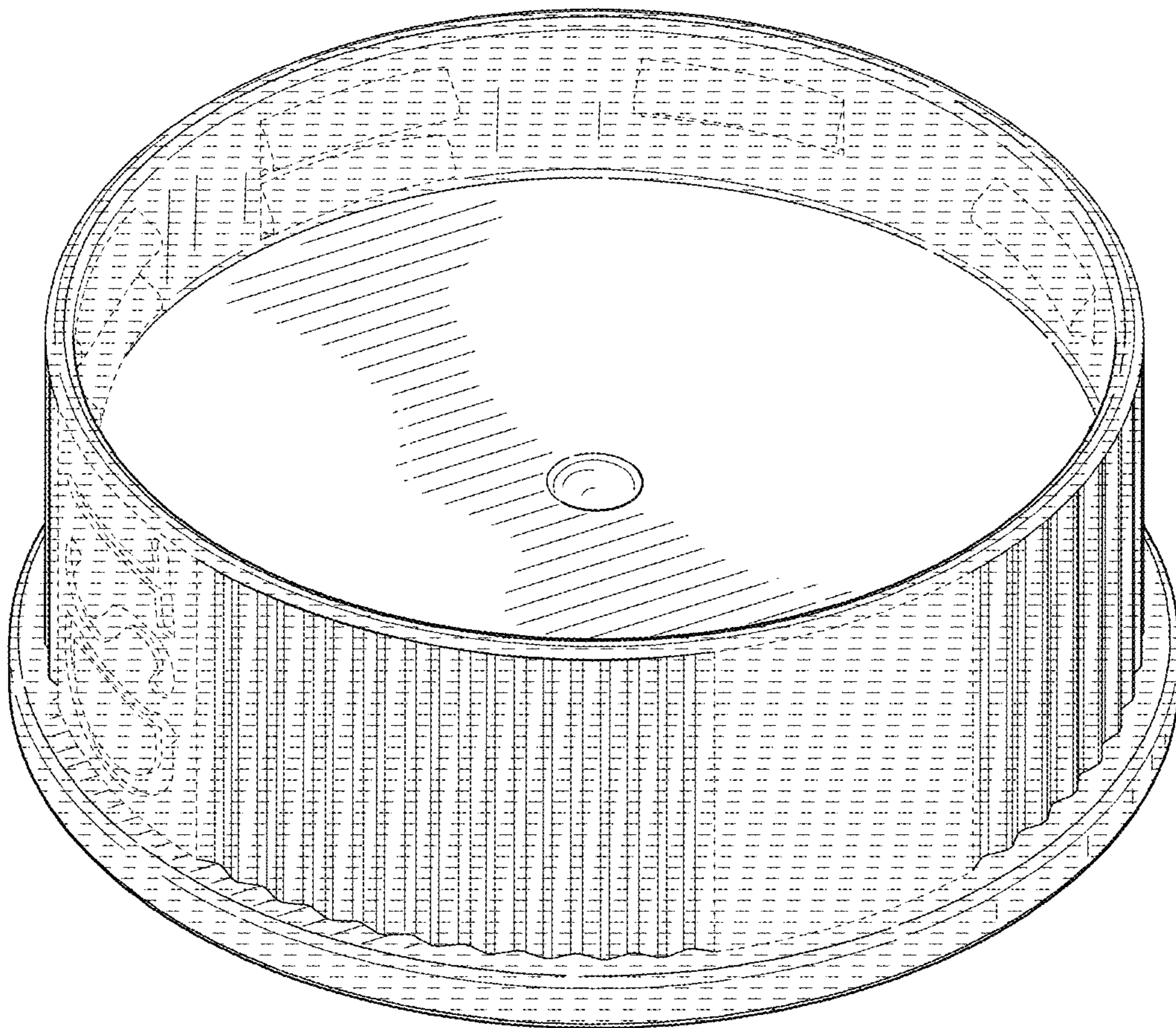


FIG. 1

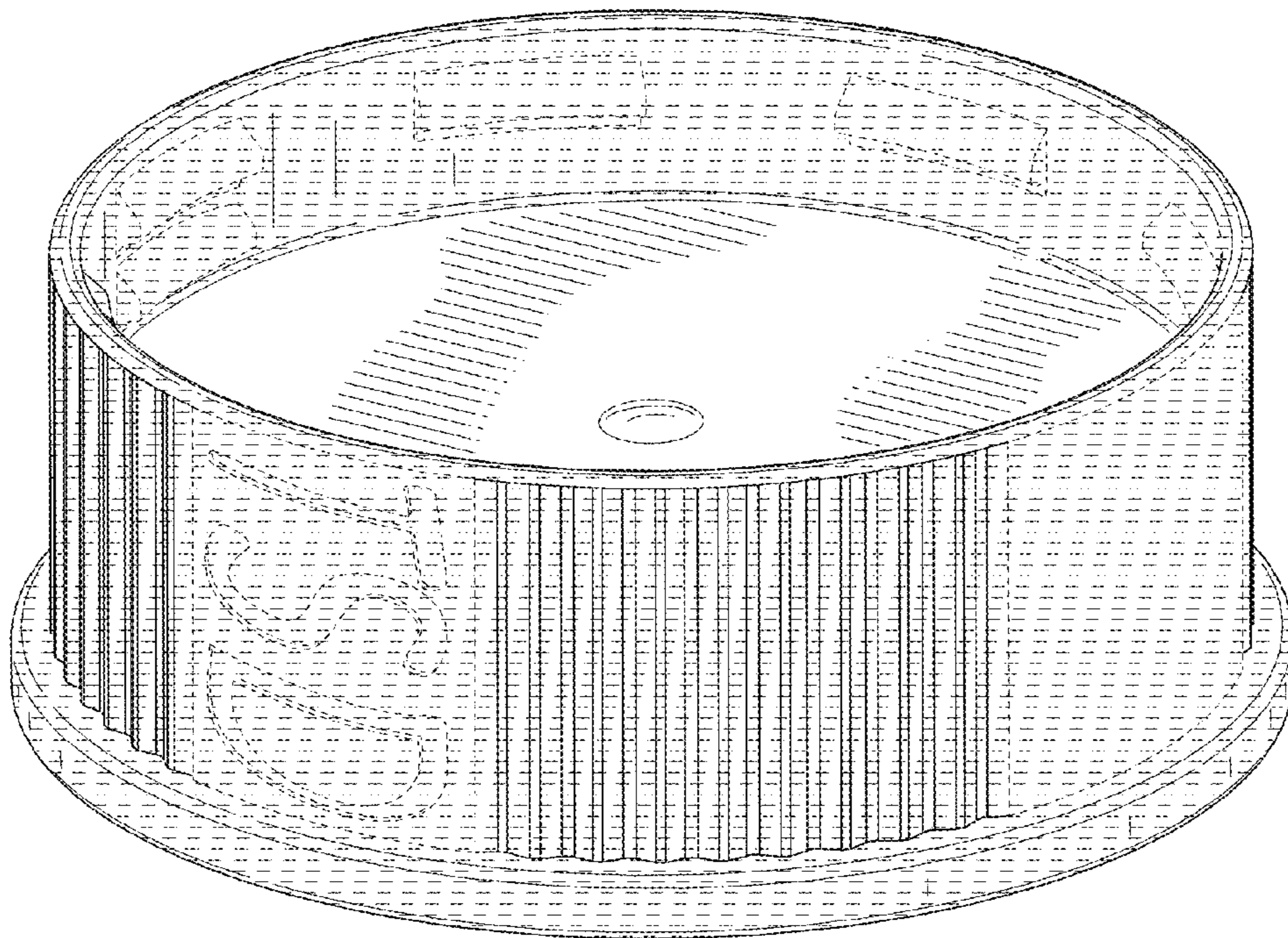


FIG. 2

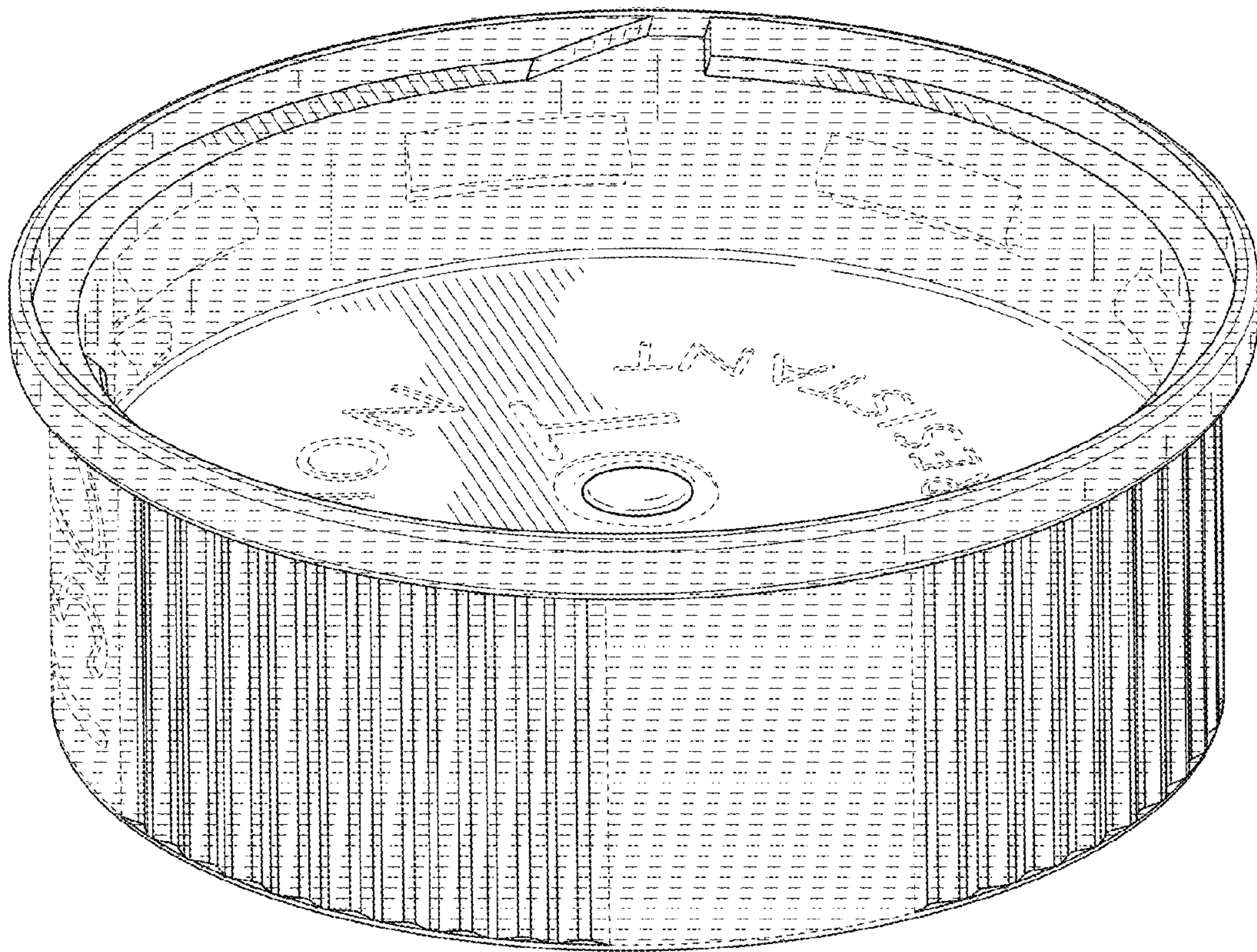


FIG. 3

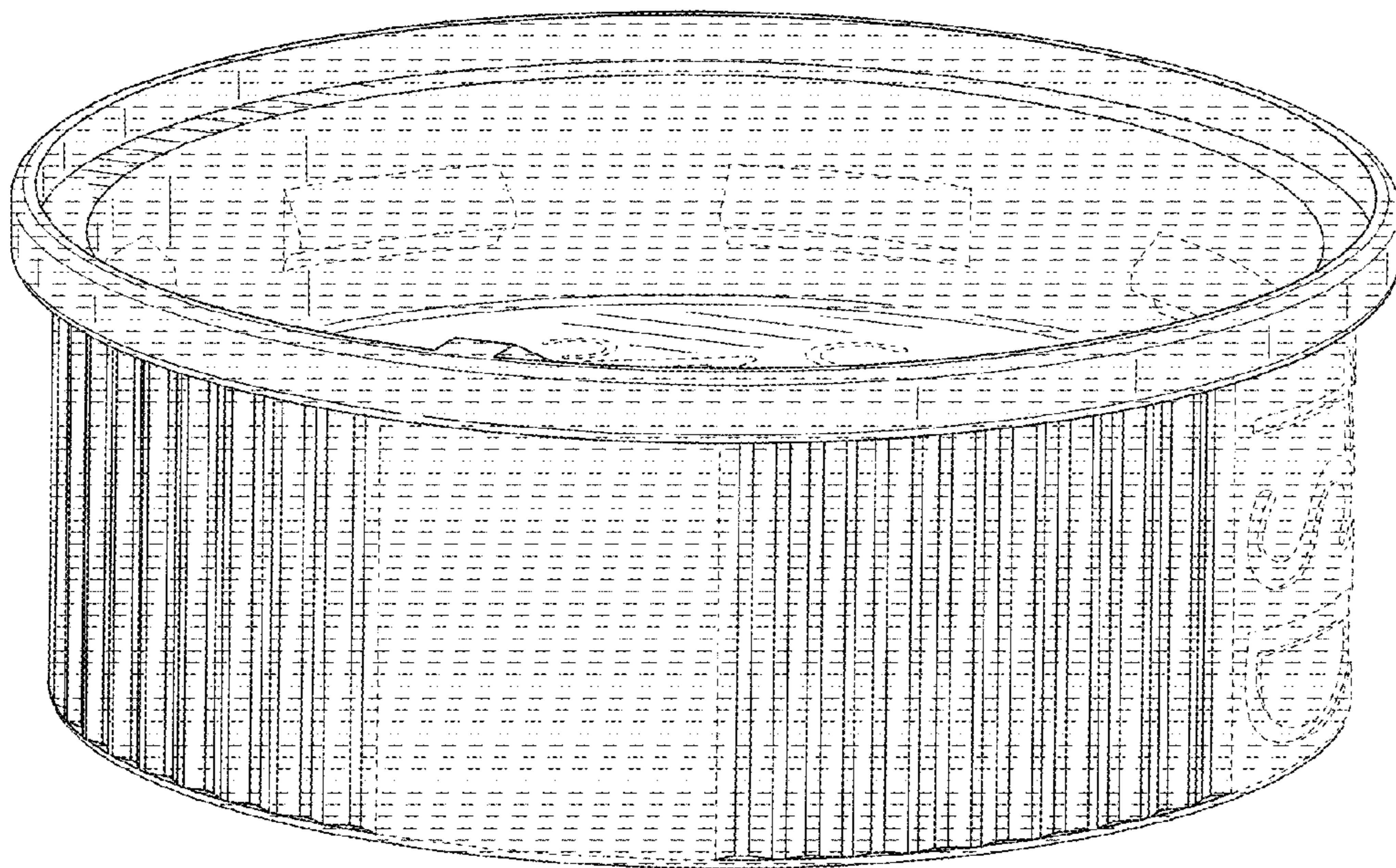


FIG. 4

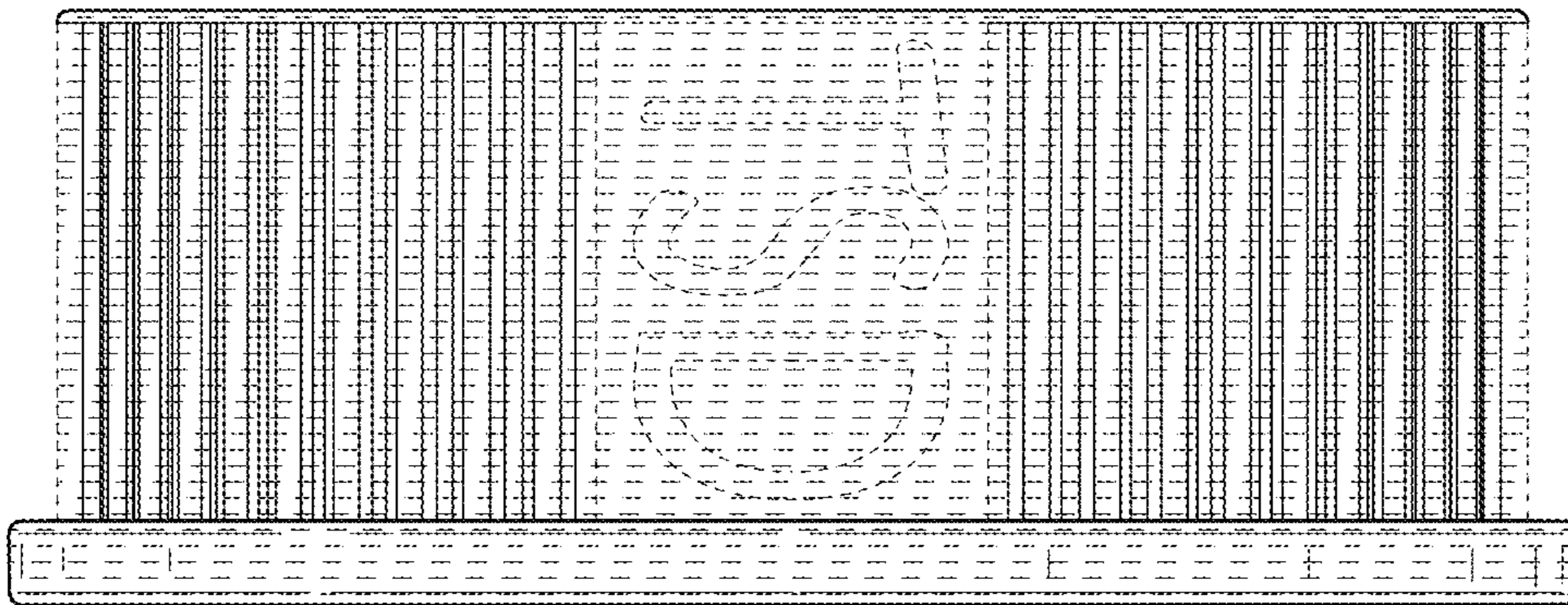


FIG. 5

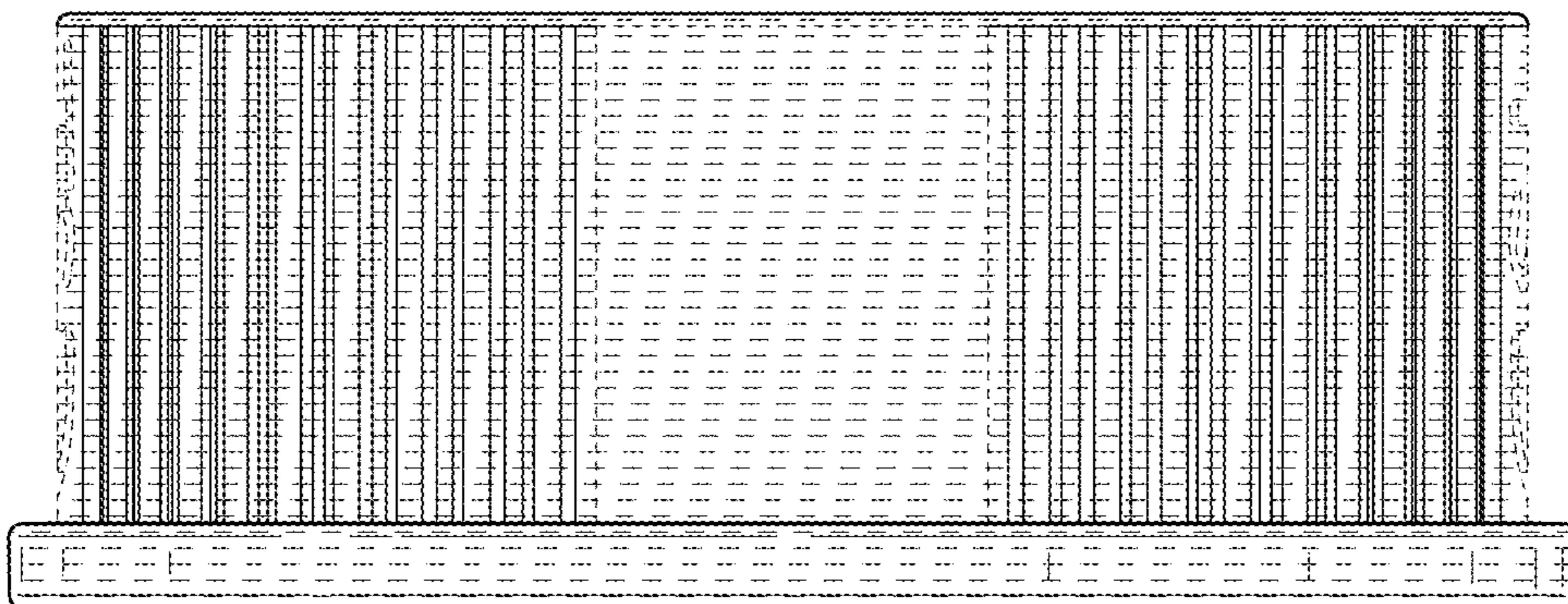


FIG. 6

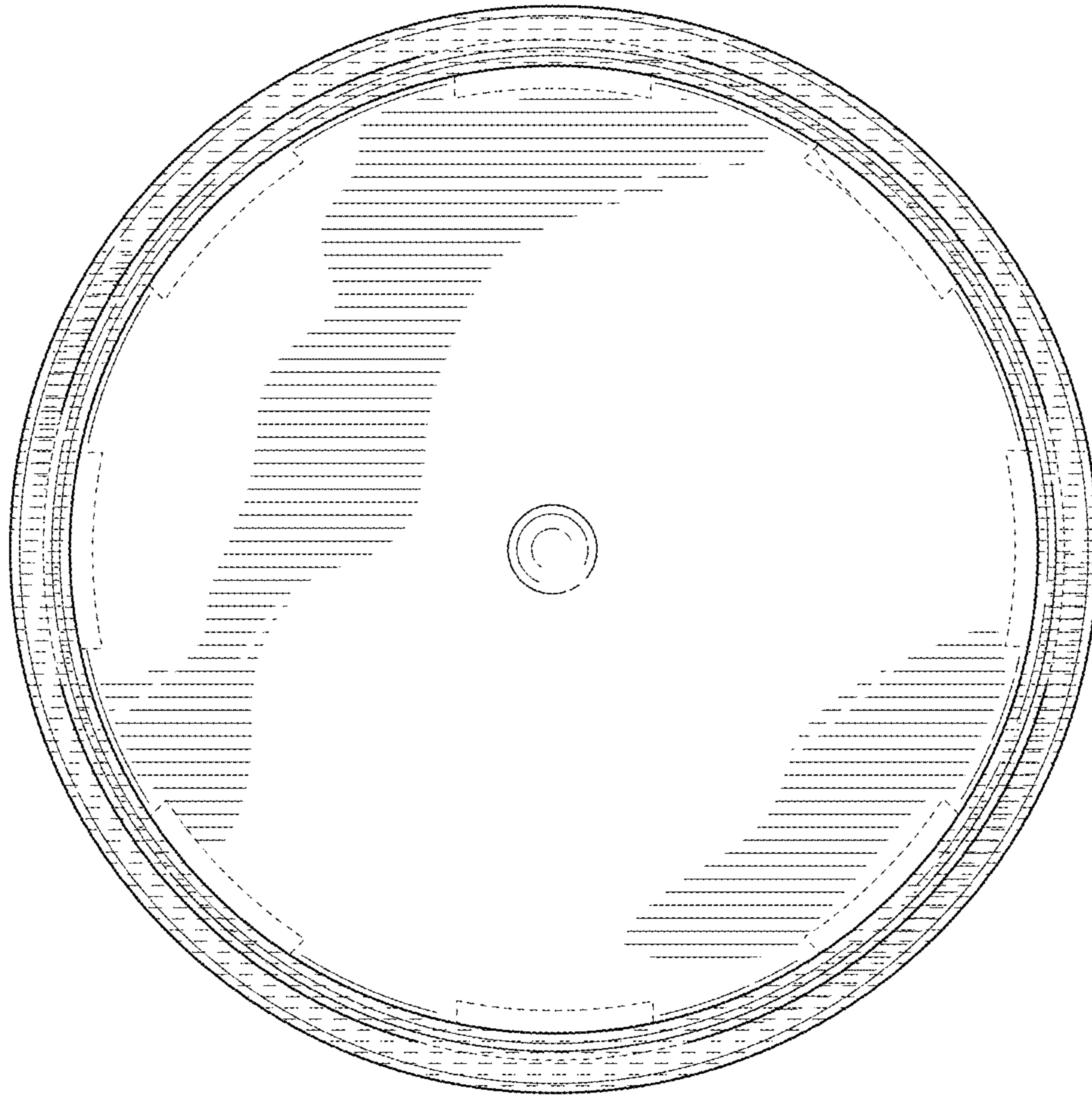


FIG. 7



FIG. 8