

US00D709764S

(12) **United States Design Patent**
Gibb

(10) **Patent No.:** **US D709,764 S**

(45) **Date of Patent:** **** Jul. 29, 2014**

(54) **DISPENSING CAP**

(75) Inventor: **Jeffrey Shawn Gibb**, Randolph, NJ
(US)

(73) Assignee: **Reckitt Benckiser LLC**, Parsippany, NJ
(US)

(**) Term: **14 Years**

(21) Appl. No.: **29/432,131**

(22) Filed: **Sep. 13, 2012**

(51) **LOC (10) CI.** **09-07**

(52) **U.S. Cl.**
USPC **D9/449**

(58) **Field of Classification Search**
USPC D9/449, 417, 439, 440, 443, 446, 447,
D9/453, 454; D7/396.2, 392.1; 215/235,
215/236, 306; 220/254.2–254.5, 259.2,
220/715, 837; 222/484

See application file for complete search history.

(56) **References Cited**

U.S. PATENT DOCUMENTS

D508,853	S	*	8/2005	Ziegenhorn et al.	D9/449
D580,762	S	*	11/2008	Wilson et al.	D9/449
D607,726	S	*	1/2010	Wisniewski	D9/449
D614,488	S	*	4/2010	Kallenbach et al.	D9/449
D661,984	S	*	6/2012	Jackel	D9/449
D694,587	S	*	12/2013	Slocumb et al.	D7/590
2006/0186078	A1	*	8/2006	Ziegenhorn	215/237

OTHER PUBLICATIONS

Folding Hinge Cap, Colour White #9008Z50, (C) 2011 by Squeeze Foamer, found on internet at <http://www.squeeze-foamer.com/pet-spray-bottles/>.*

“Heinz ‘caps’ squeeze ketchup” by Arnie Orloski, article dated Apr. 30, 2000. Found on internet at <http://www.packworld.com/machinery/fillingsealing/heinz-caps-squeeze-ketchup>.*

* cited by examiner

Primary Examiner — Robert M Spear

(74) *Attorney, Agent, or Firm* — Norris McLaughlin & Marcus PA

(57) **CLAIM**

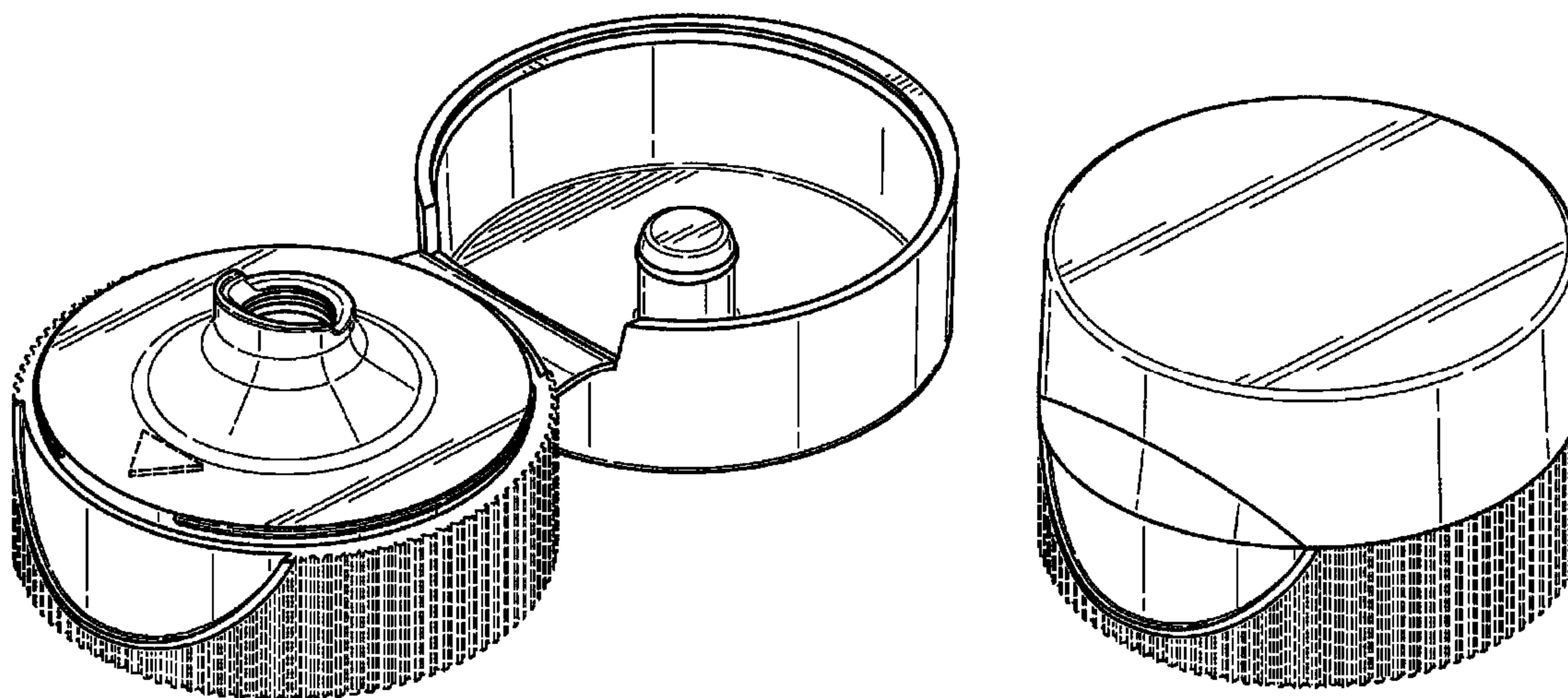
The ornamental design for a dispensing cap, as shown and described.

DESCRIPTION

FIG. 1 is a front and side perspective view of my dispensing cap;
FIG. 2 is a front elevational view thereof;
FIG. 3 is a rear elevational view thereof;
FIG. 4 is a right side elevational view thereof;
FIG. 5 is a left side elevational view thereof;
FIG. 6 is a top plan view thereof;
FIG. 7 is a bottom plan view thereof; and,
FIG. 8 is a front perspective view of my dispensing cap in closed configuration.

The broken lines depicted in the drawings are used to show environmental structure only, and form no part of the claimed design.

1 Claim, 5 Drawing Sheets



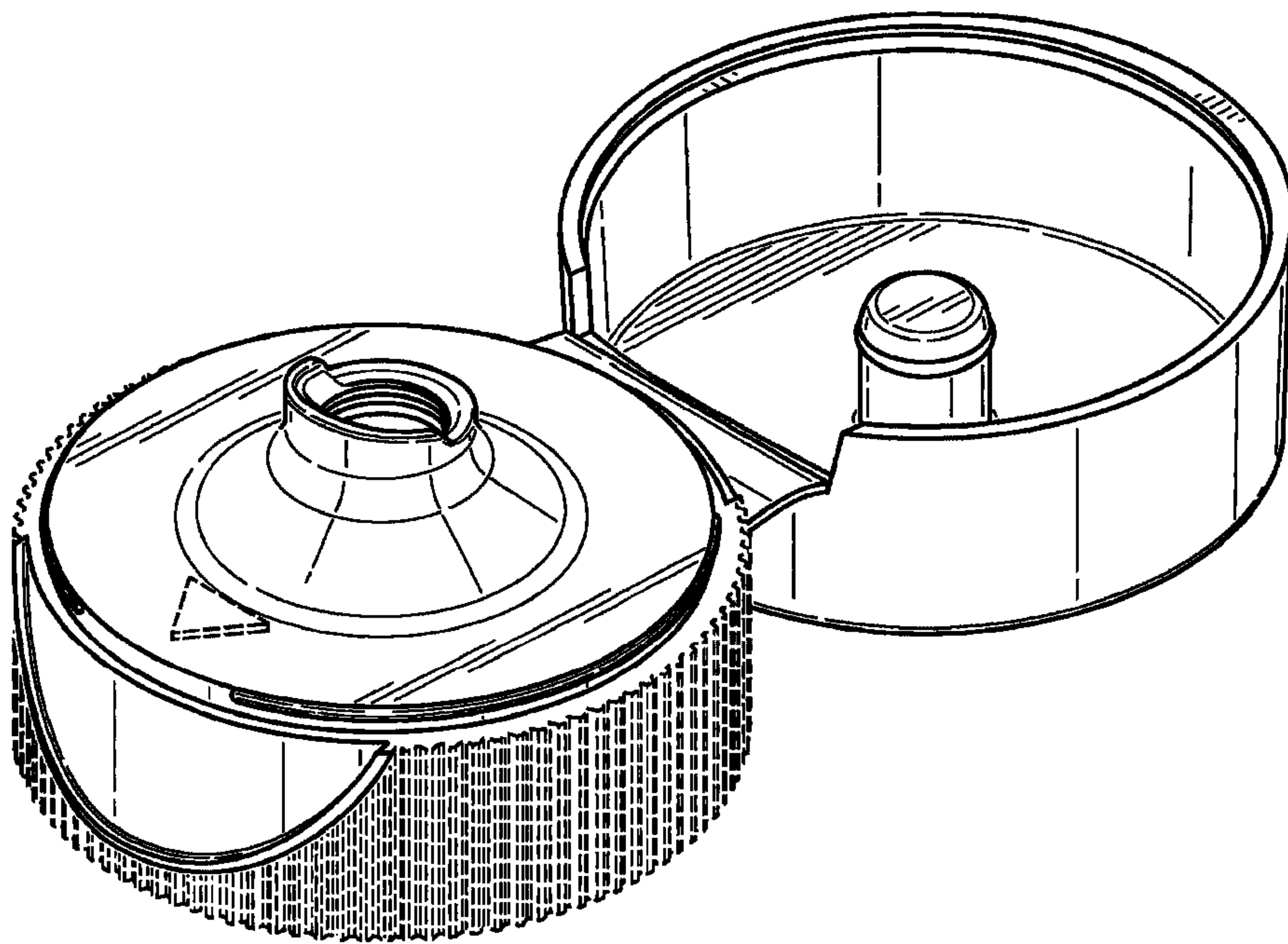


Fig. 1

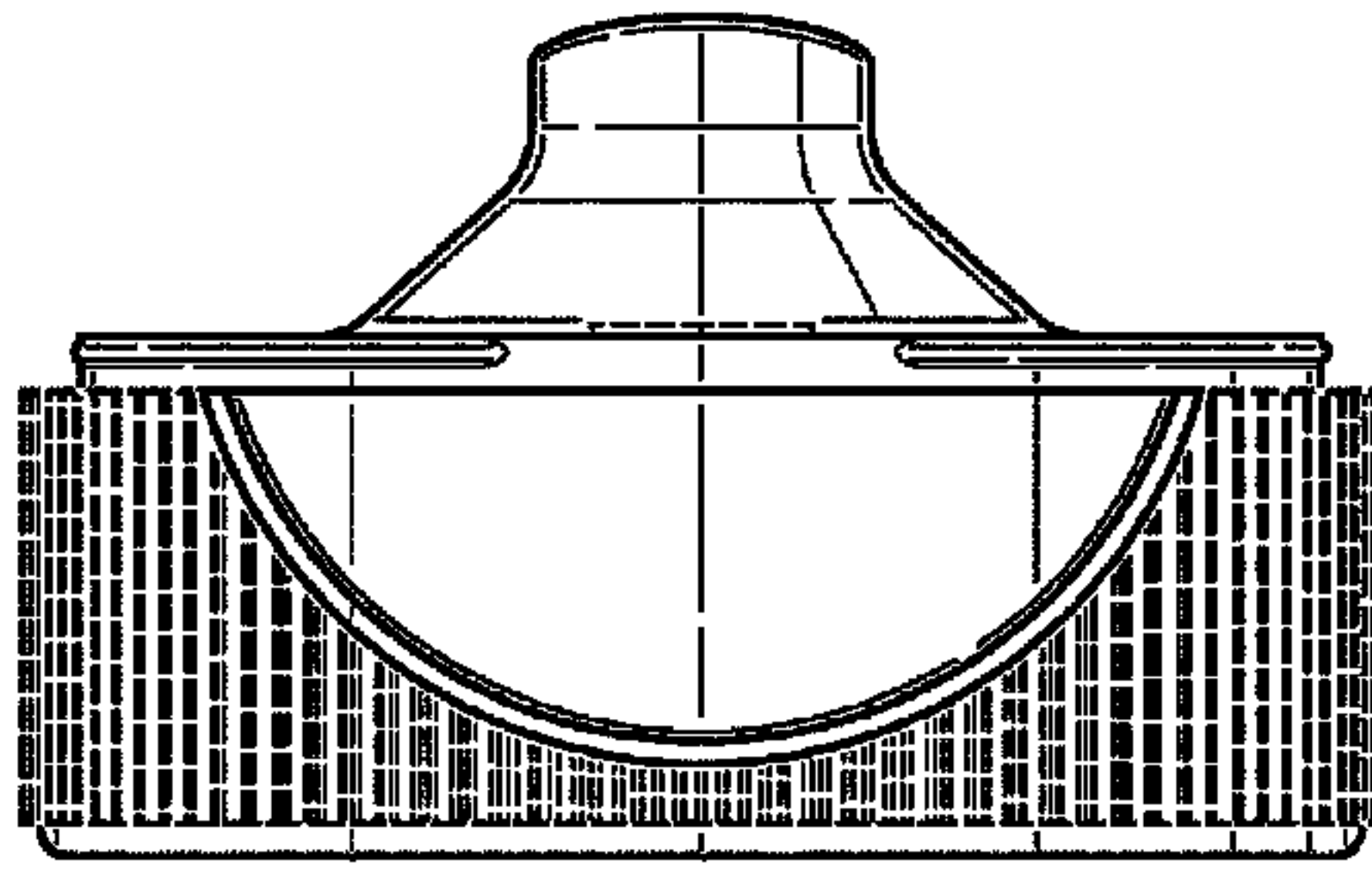


Fig. 2

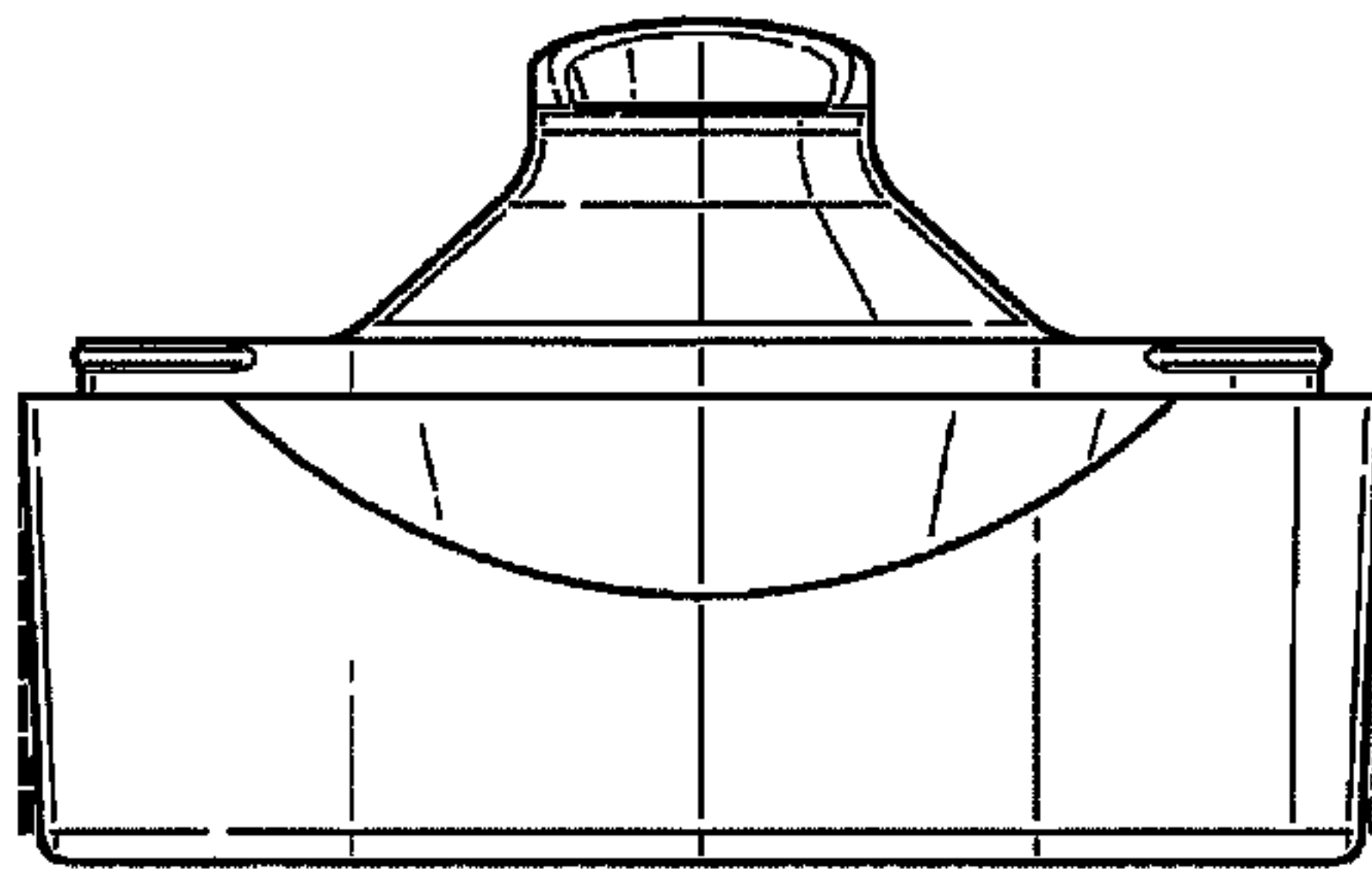


Fig. 3

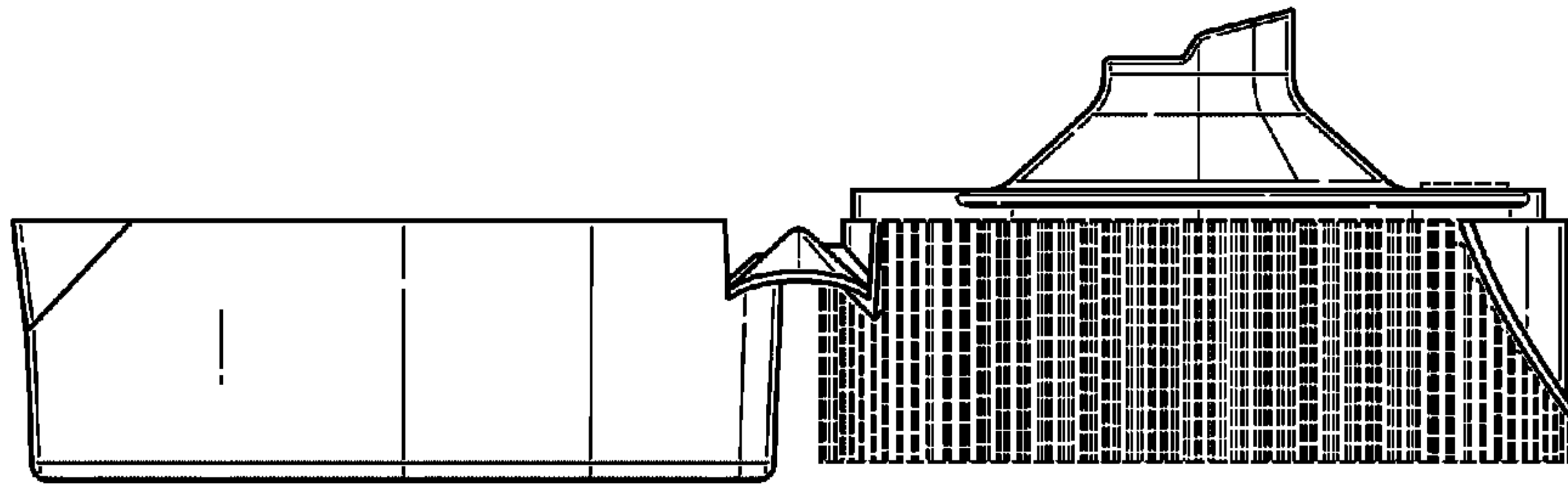


Fig. 4

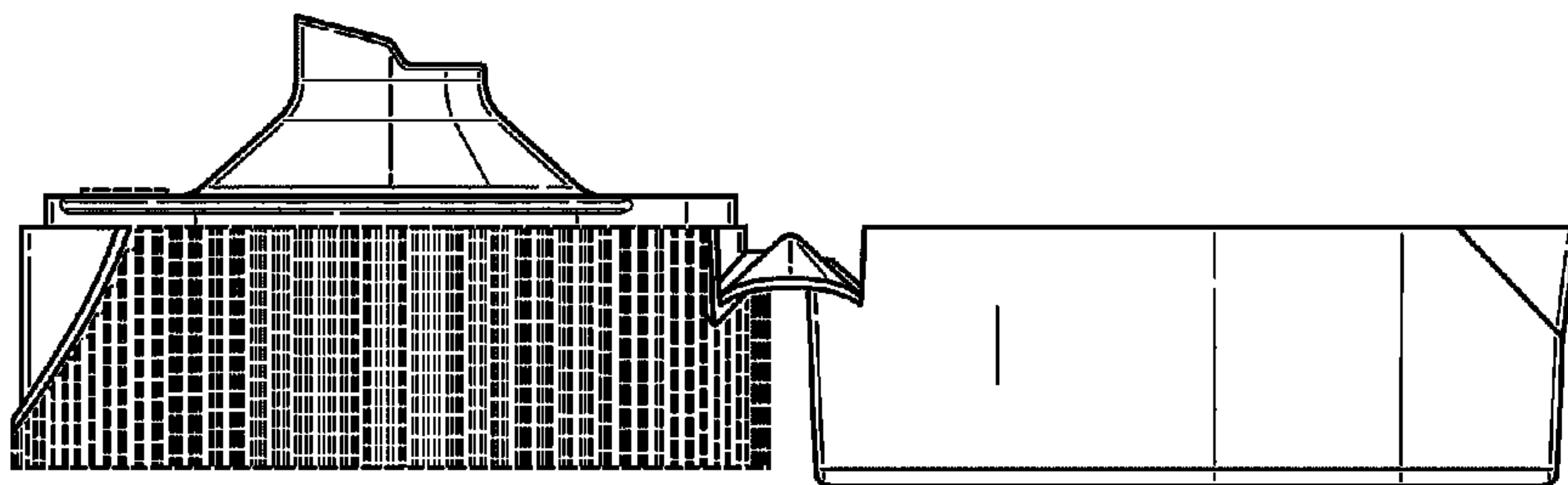


Fig. 5

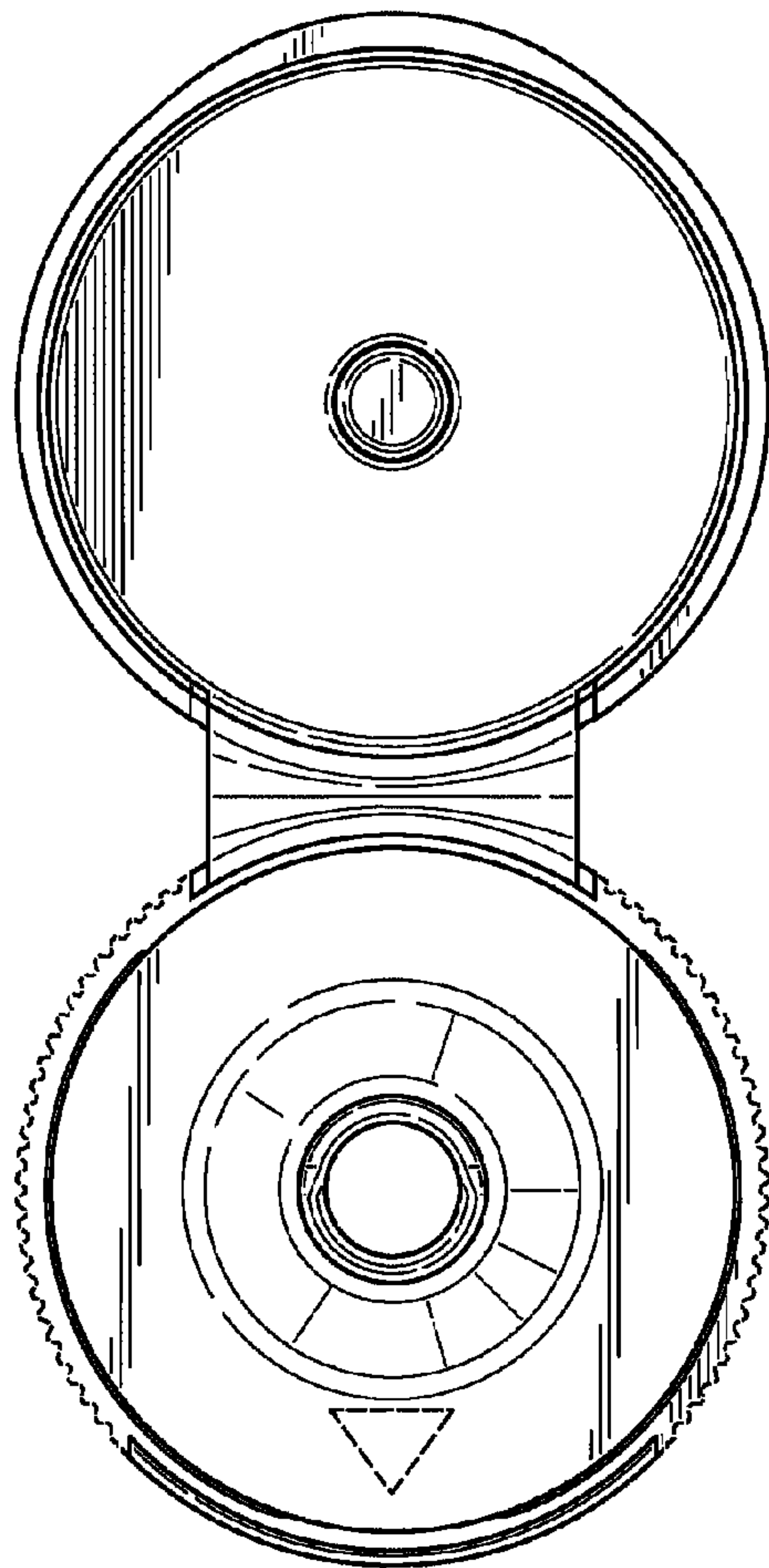


Fig. 6

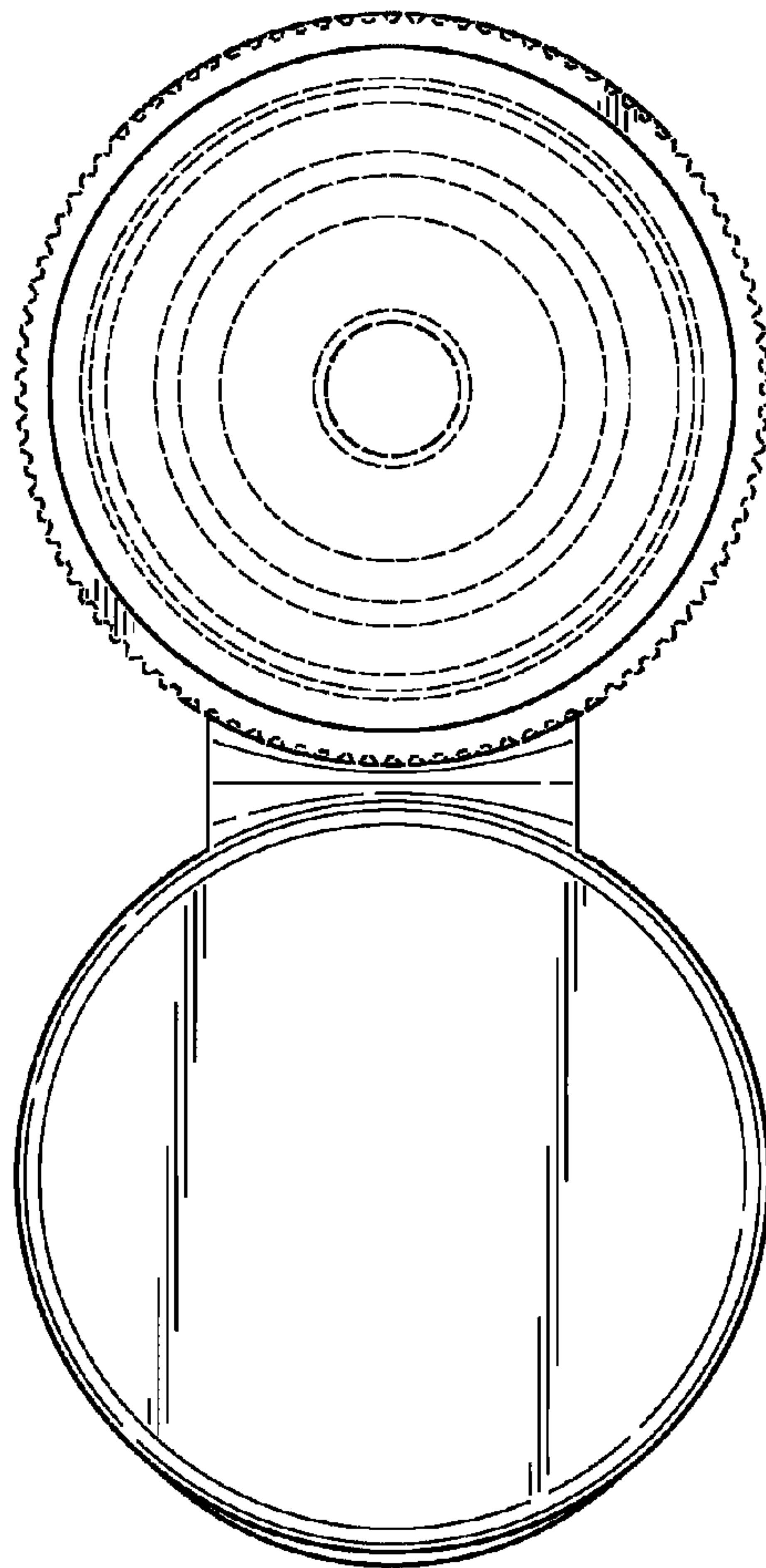


Fig. 7

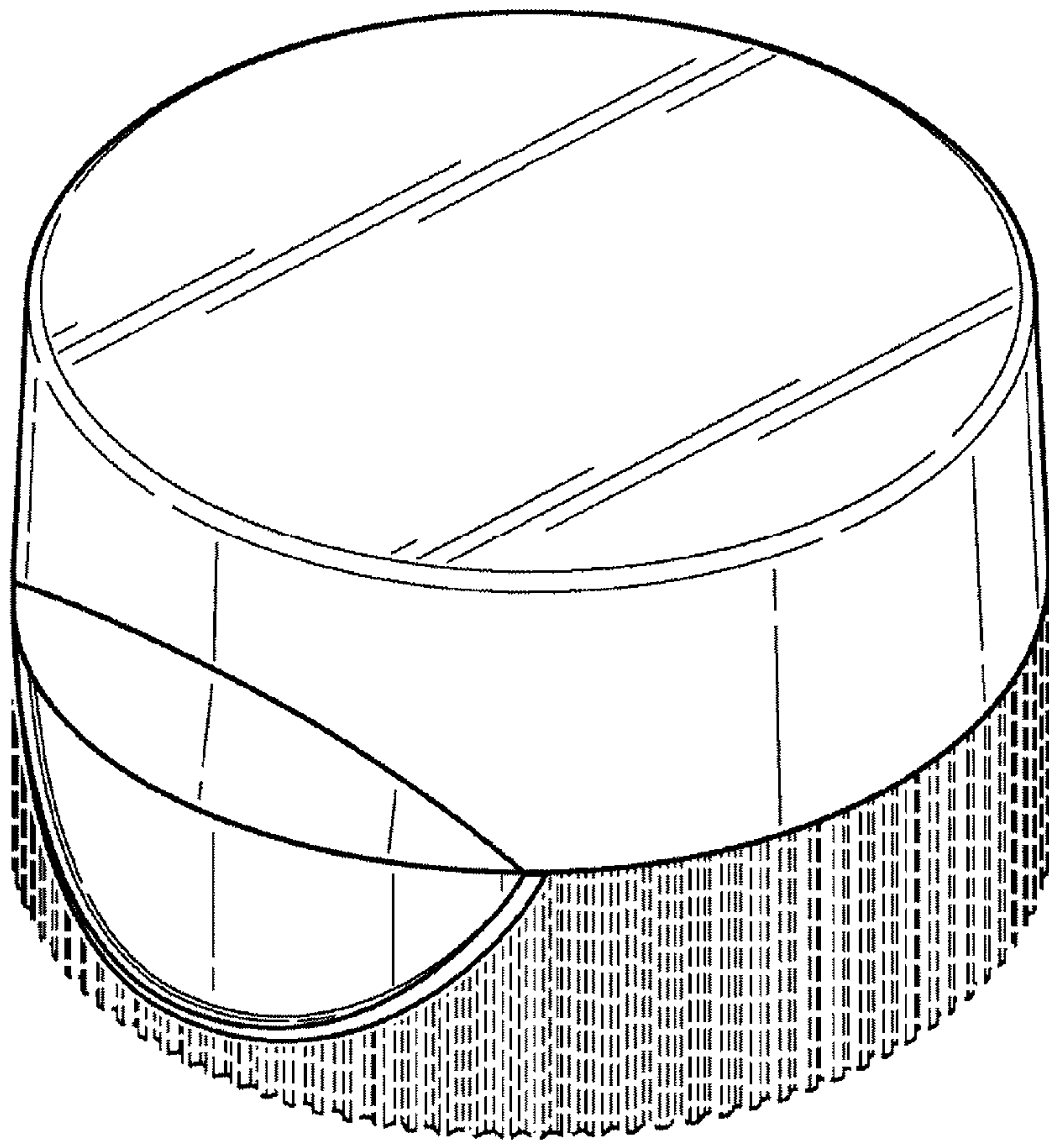


Fig. 8