



US00D709763S

(12) **United States Design Patent**
Swerts

(10) **Patent No.:** **US D709,763 S**

(45) **Date of Patent:** **** Jul. 29, 2014**

(54) **DISPENSER CAP**

(75) Inventor: **Victor Swerts**, Oud-Turnhout (BE)

(73) Assignee: **Soudal, N.V.**, Turnhout (BE)

(**) Term: **14 Years**

(21) Appl. No.: **29/430,506**

(22) Filed: **Aug. 27, 2012**

(30) **Foreign Application Priority Data**

Jul. 3, 2012 (EM) 1333280-0001

(51) **LOC (10) Cl.** **09-07**

(52) **U.S. Cl.**
USPC **D9/448**

(58) **Field of Classification Search**

CPC B65D 35/38; B65D 47/06; B65D 41/48;
B65D 47/32; B65D 51/28; B65D 81/28;
B65D 47/243; B65D 25/42; B05B 11/3087;
B05B 11/3029; A47G 19/26

USPC D7/300, 300.1, 321, 396.2, 500, 507,
D7/509, 510, 511, 900; D9/434, 435, 443,
D9/444, 445, 447, 452, 453, 455, 520;
215/200, 235, 236, 252, 328, 329,
215/355-364; 220/203.04-203.07, 220,
220/254.1, 254.4, 703, 704, 705, 715;
222/525, 528, 566, 571

See application file for complete search history.

(56) **References Cited**

U.S. PATENT DOCUMENTS

D391,484 S *	3/1998	Santagiuliana	D9/449
D407,976 S *	4/1999	Ekkert	D9/449
D508,853 S *	8/2005	Ziegenhorn et al.	D9/449
D589,353 S *	3/2009	Bourne	D9/539
D599,673 S *	9/2009	Bourne	D9/560
D628,483 S *	12/2010	McKinney et al.	D9/449
D630,511 S *	1/2011	Stull et al.	D9/448
D639,160 S *	6/2011	Jug et al.	D9/448
D640,134 S *	6/2011	Rognard	D9/449
D640,555 S *	6/2011	Williams et al.	D9/449
D696,114 S *	12/2013	Arch et al.	D9/449
2007/0284392 A1 *	12/2007	Kaess et al.	222/153.05

* cited by examiner

Primary Examiner — Robert M Spear

Assistant Examiner — Marissa Cash

(74) *Attorney, Agent, or Firm* — Kirschstein, et al.

(57) **CLAIM**

The ornamental design for a dispenser cap, as shown and described.

DESCRIPTION

FIG. 1 is a top plan view of an opened dispenser cap according to my new design;

FIG. 2 is a front view thereof;

FIG. 3 is a right side thereof;

FIG. 4 is a left side thereof;

FIG. 5 is a bottom plan view thereof; and,

FIG. 6 is a sectional view taken on line 6-6 of FIG. 1.

1 Claim, 6 Drawing Sheets

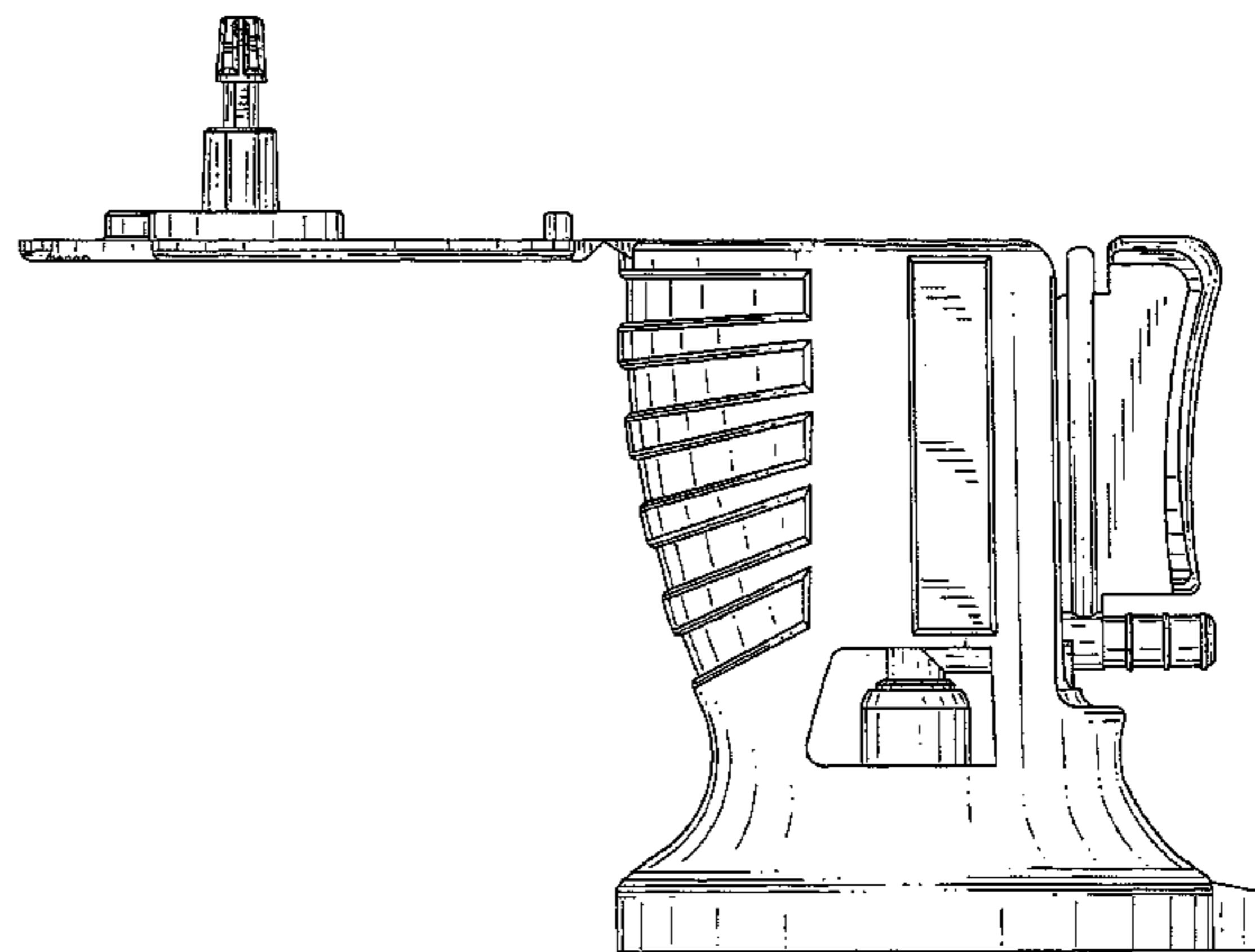
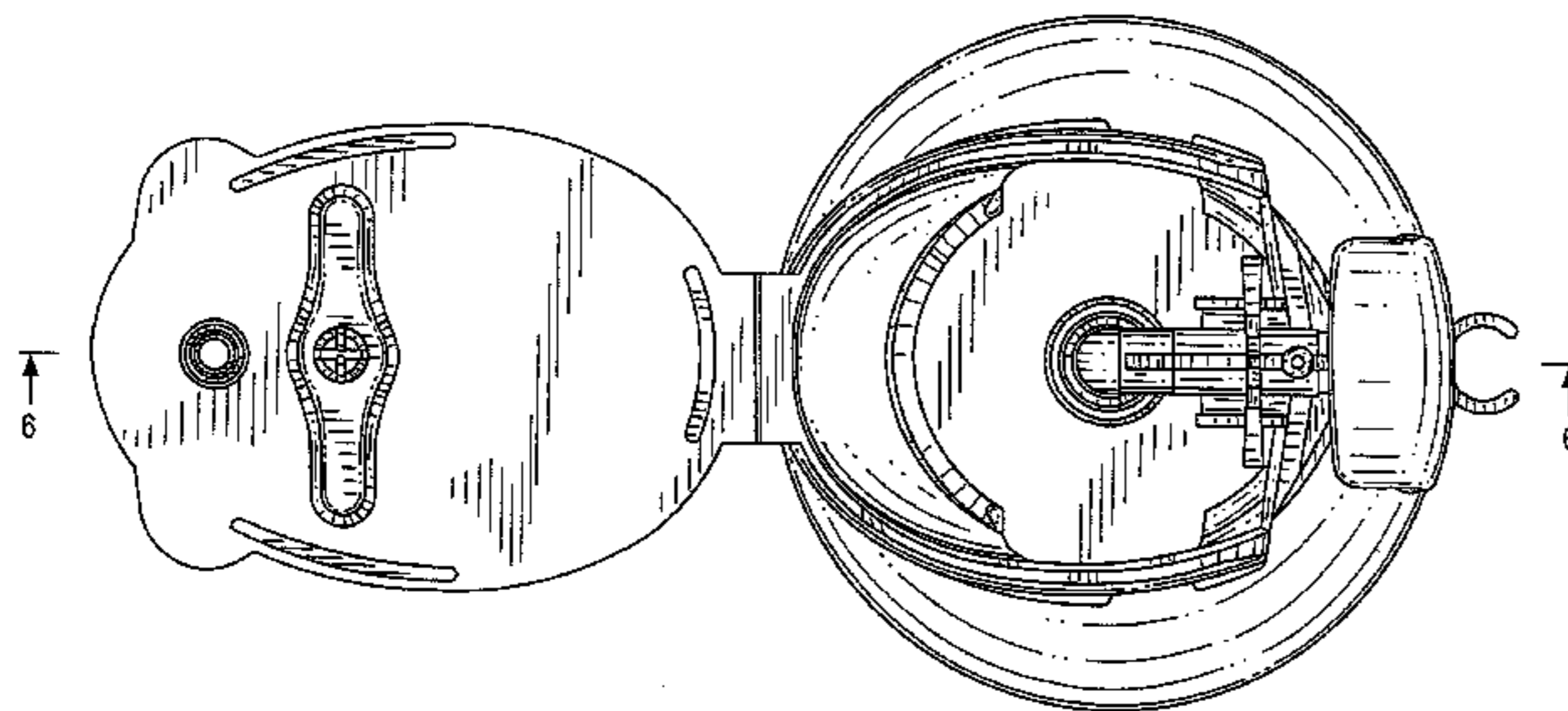


FIG. 1

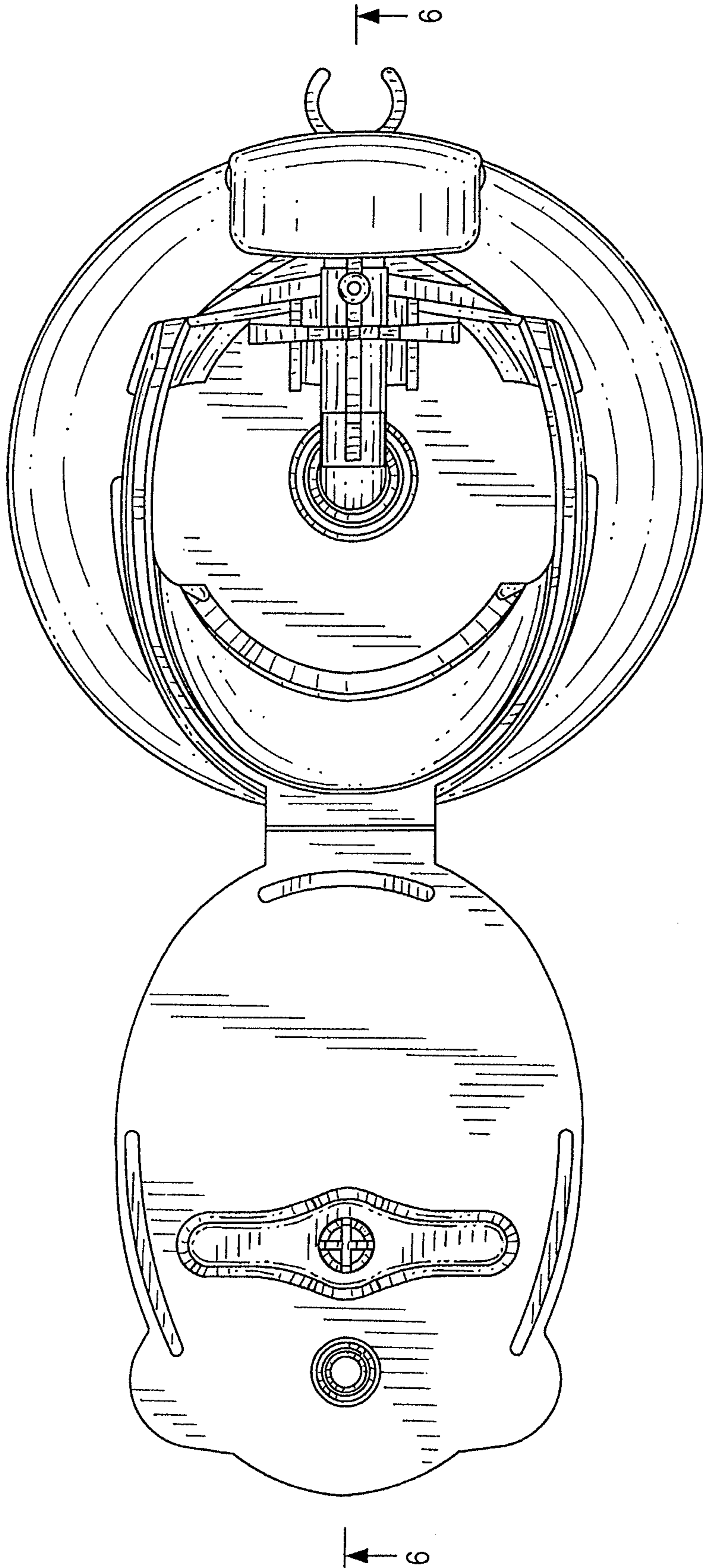
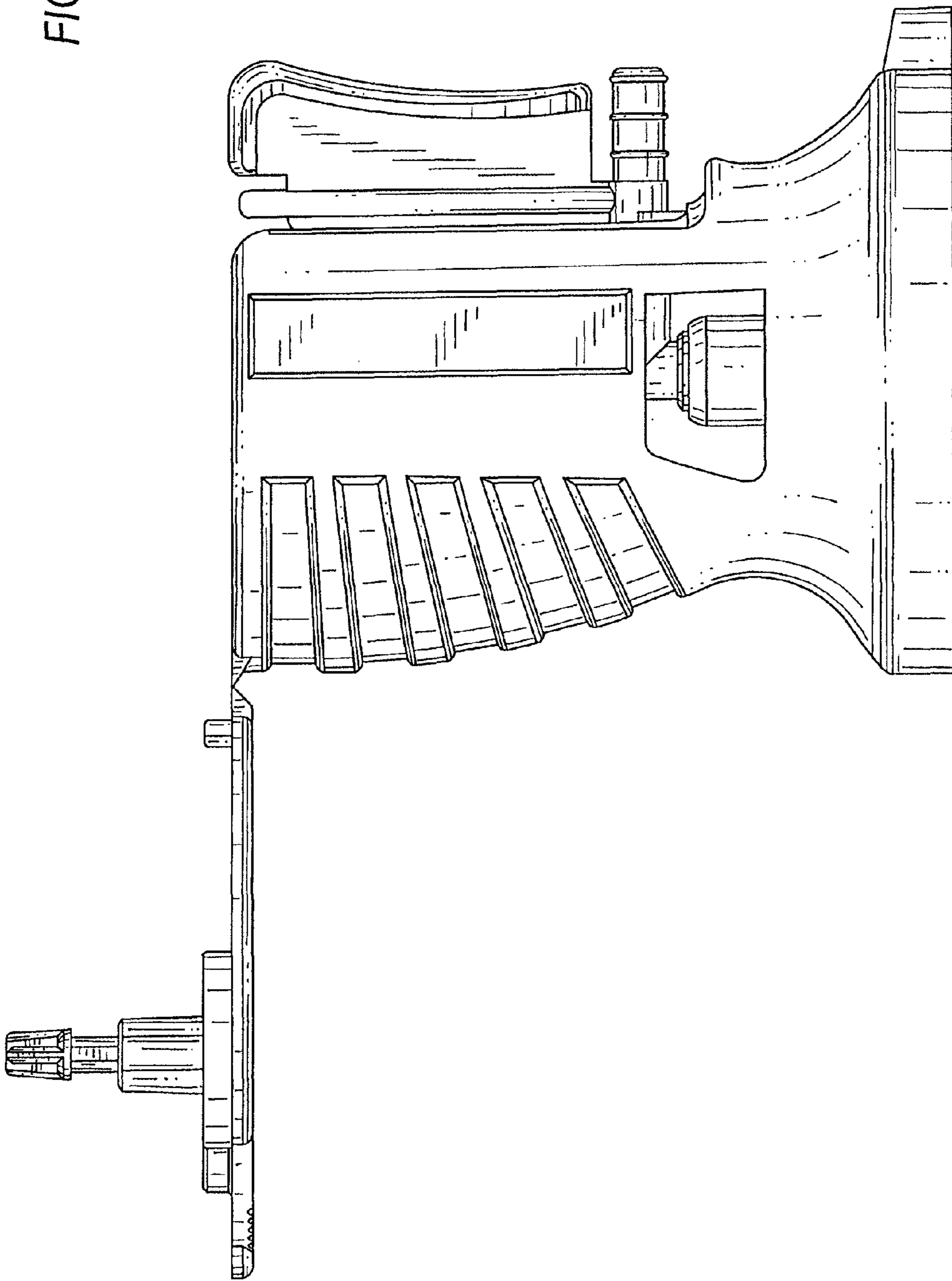


FIG. 2



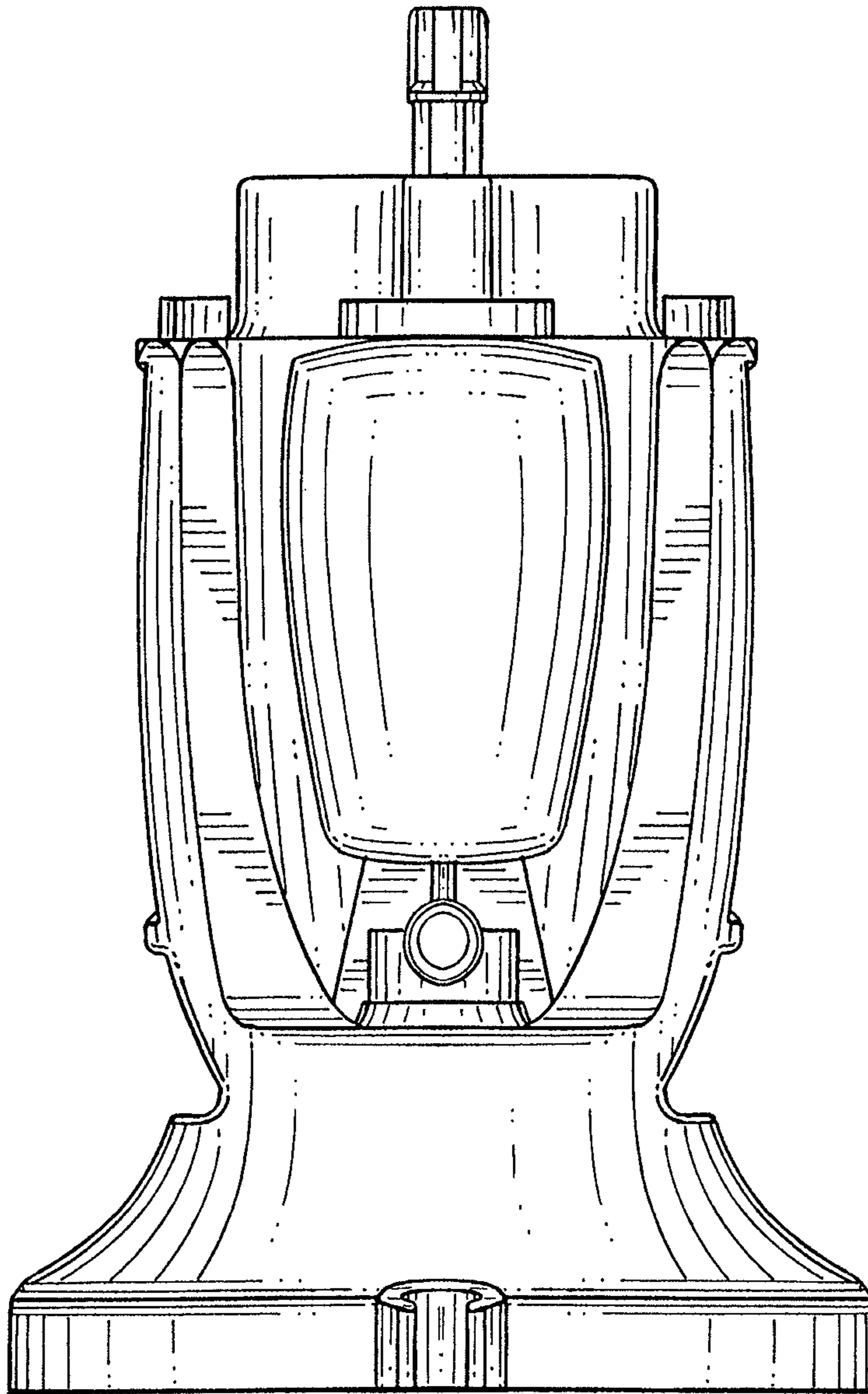


FIG. 3

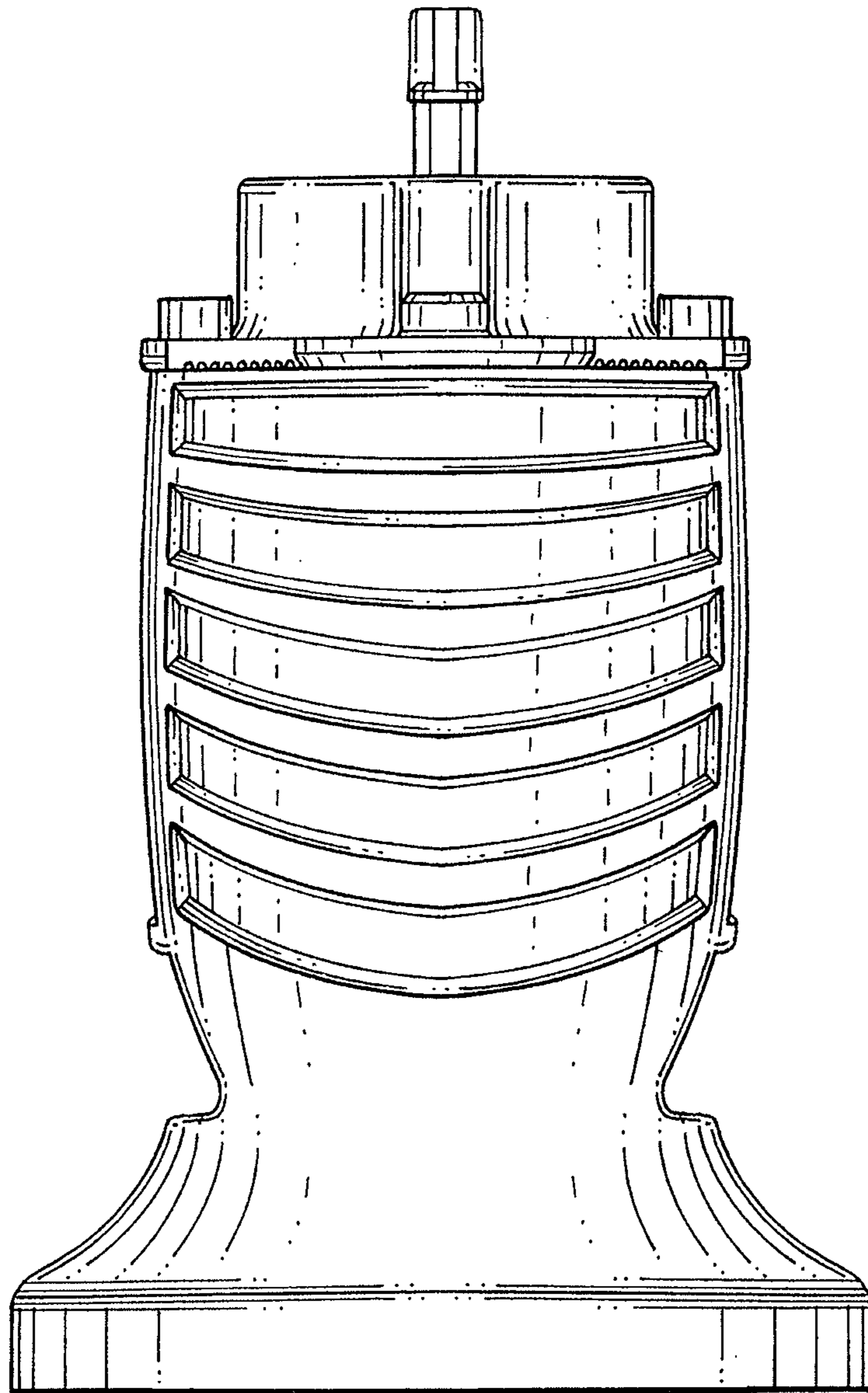


FIG. 4

FIG. 5

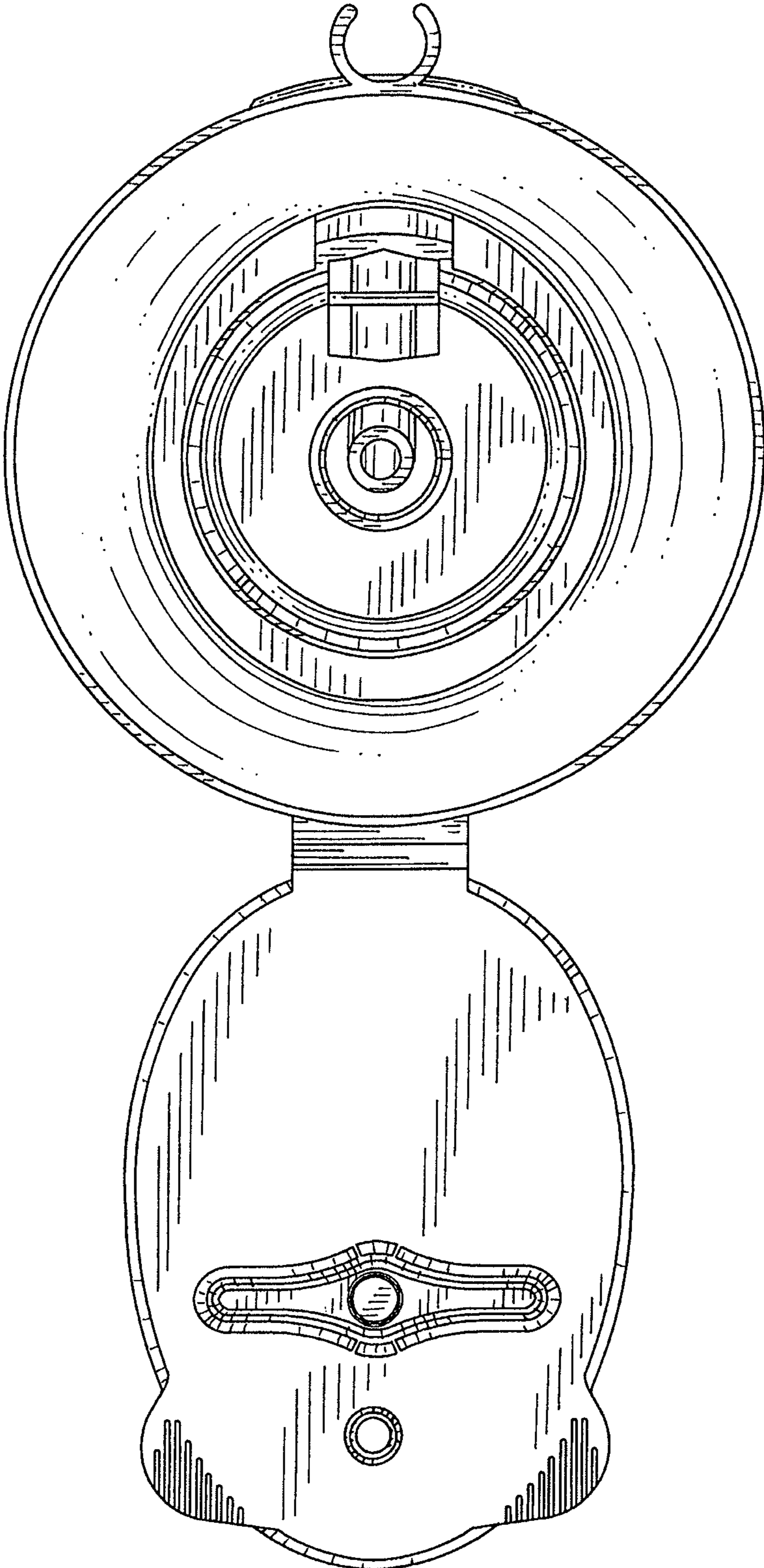


FIG. 6

