



US00D709762S

(12) **United States Design Patent**  
**Kuo**

(10) **Patent No.:** **US D709,762 S**

(45) **Date of Patent:** **\*\* Jul. 29, 2014**

(54) **PUMP-DISPENSING HEAD**

(76) Inventor: **Roy Kuo**, Taipei (TW)

(\*\*) Term: **14 Years**

(21) Appl. No.: **29/418,644**

(22) Filed: **Apr. 19, 2012**

(30) **Foreign Application Priority Data**

Mar. 20, 2012 (TW) ..... 101301495

(51) **LOC (10) Cl.** ..... **09-07**

(52) **U.S. Cl.**  
USPC ..... **D9/448**

(58) **Field of Classification Search**  
USPC ..... D6/542-545; D7/300, 392.1, 396.2,  
D7/500, 510; D9/434-436, 443, 445, 447,  
D9/448, 682, 685, 694; D28/7; 215/200,  
215/235, 236, 252, 264, 329, 355-364;  
222/402.13, 556

See application file for complete search history.

(56) **References Cited**

**U.S. PATENT DOCUMENTS**

D436,863 S *	1/2001	Wadsworth et al. ....	D9/448
D438,113 S *	2/2001	Wadsworth .....	D9/448
D438,798 S *	3/2001	Wadsworth .....	D9/448
D458,833 S *	6/2002	Crawford .....	D9/682
D460,686 S *	7/2002	Crawford et al. ....	D9/682
D465,150 S *	11/2002	Crawford et al. ....	D9/682

D485,747 S *	1/2004	Crawford .....	D9/682
D489,614 S *	5/2004	Pinnavaia .....	D9/448
D536,973 S *	2/2007	van der Heijden et al. ....	D6/542
D604,610 S *	11/2009	Ames et al. ....	D9/448
D688,561 S *	8/2013	Bunce et al. ....	D9/682

\* cited by examiner

*Primary Examiner* — Robert M Spear

*Assistant Examiner* — Marissa Cash

(74) *Attorney, Agent, or Firm* — Chun-Ming Shih

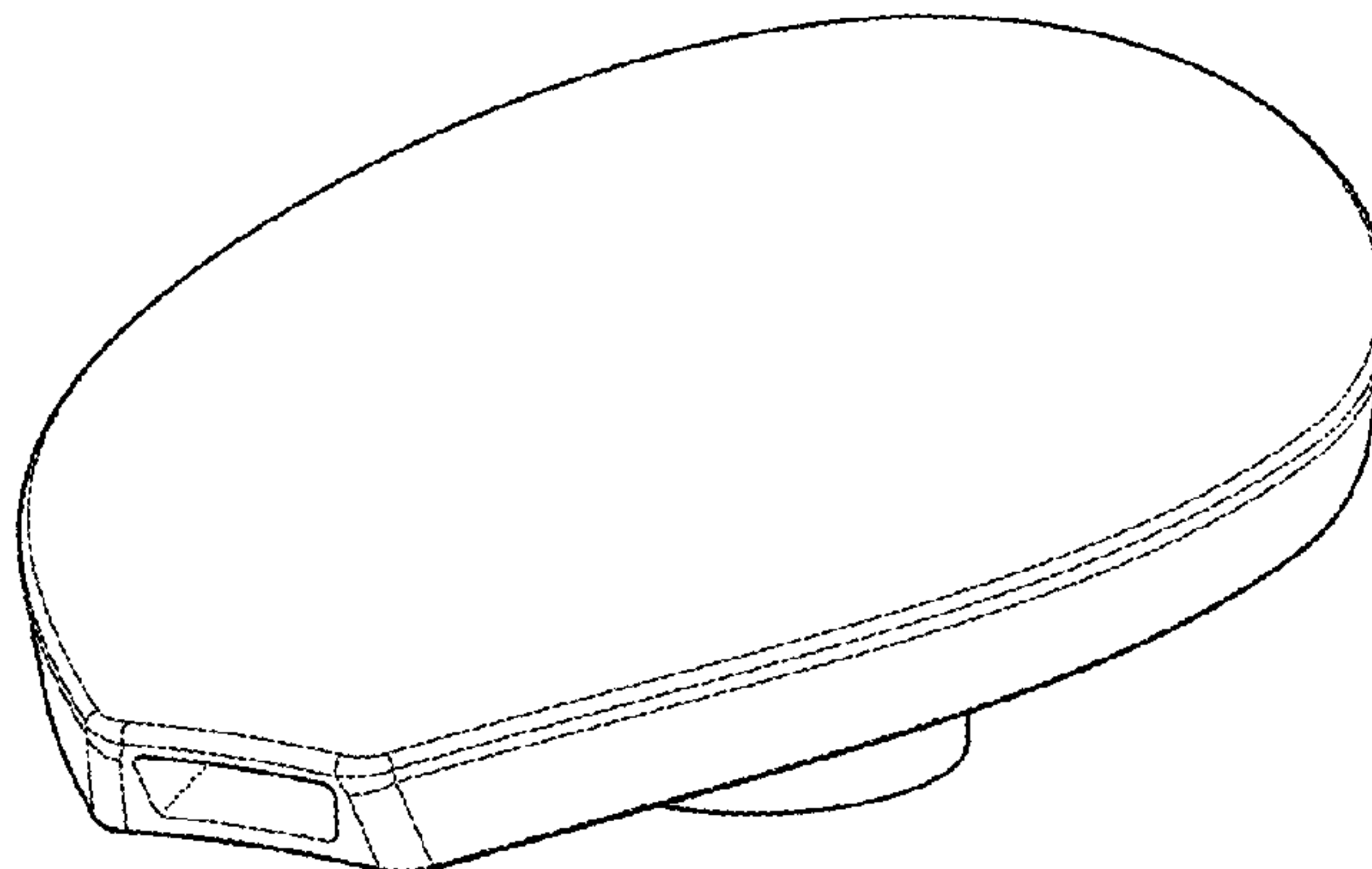
(57) **CLAIM**

The ornamental design for a pump-dispensing head, as shown and described.

**DESCRIPTION**

FIG. 1 is a perspective view of a pump-dispensing head from top showing the new design;  
FIG. 2 is a right side elevational view thereof;  
FIG. 3 is a left side elevational view thereof;  
FIG. 4 is a rear view thereof;  
FIG. 5 is a front view thereof;  
FIG. 6 is a top view thereof;  
FIG. 7 is a bottom view thereof.  
FIG. 8 is a perspective view showing the pump-dispensing head from the bottom; and,  
FIG. 9 is another perspective view showing the pump-dispensing head from the bottom.

**1 Claim, 5 Drawing Sheets**



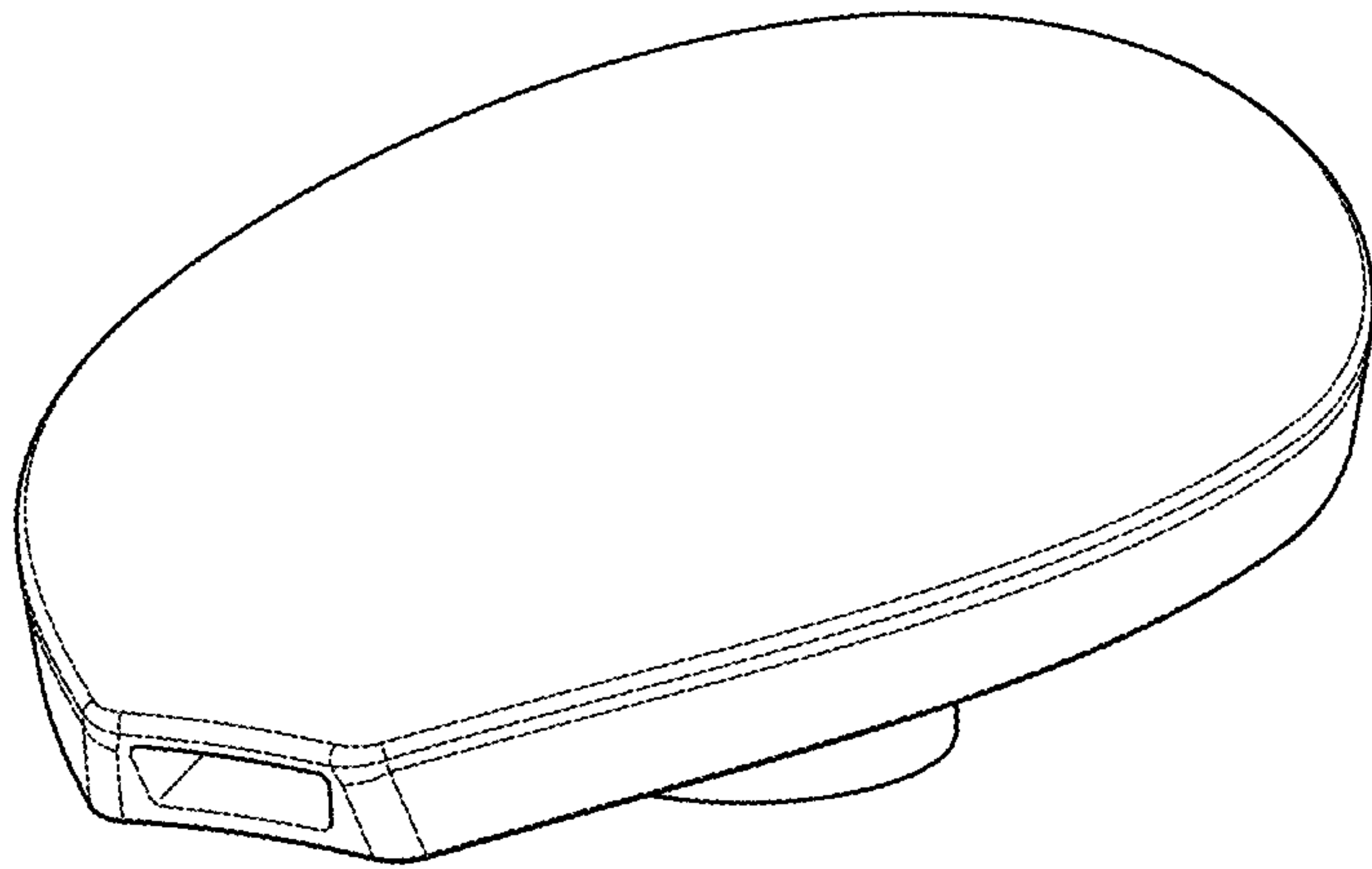


Fig. 1

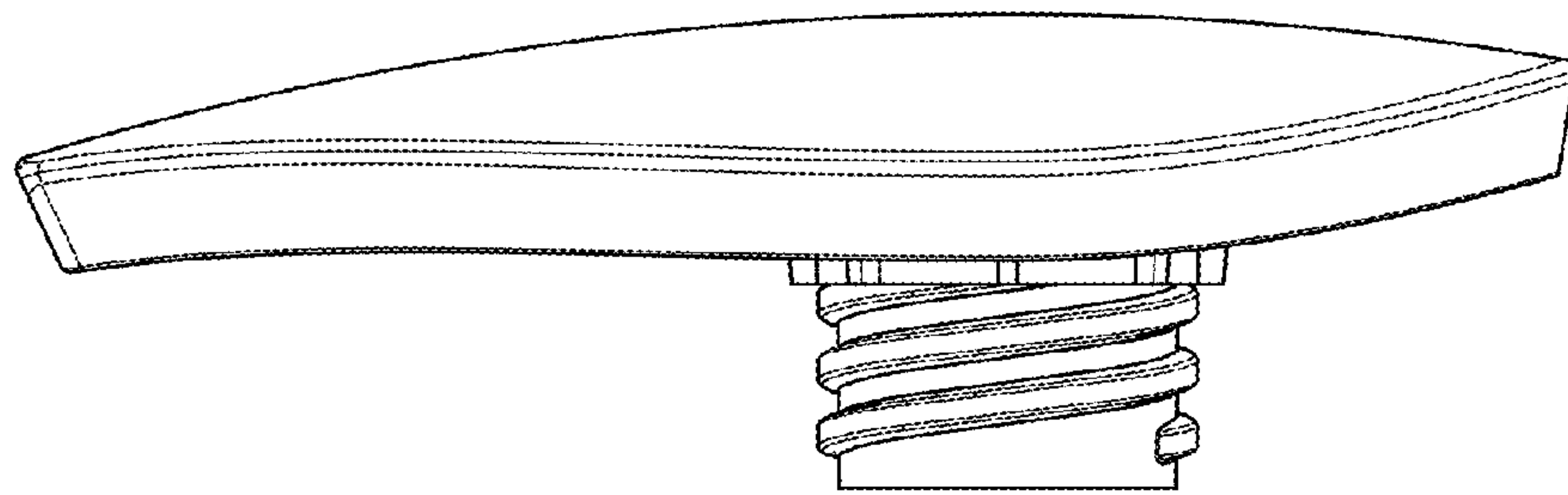


Fig. 2

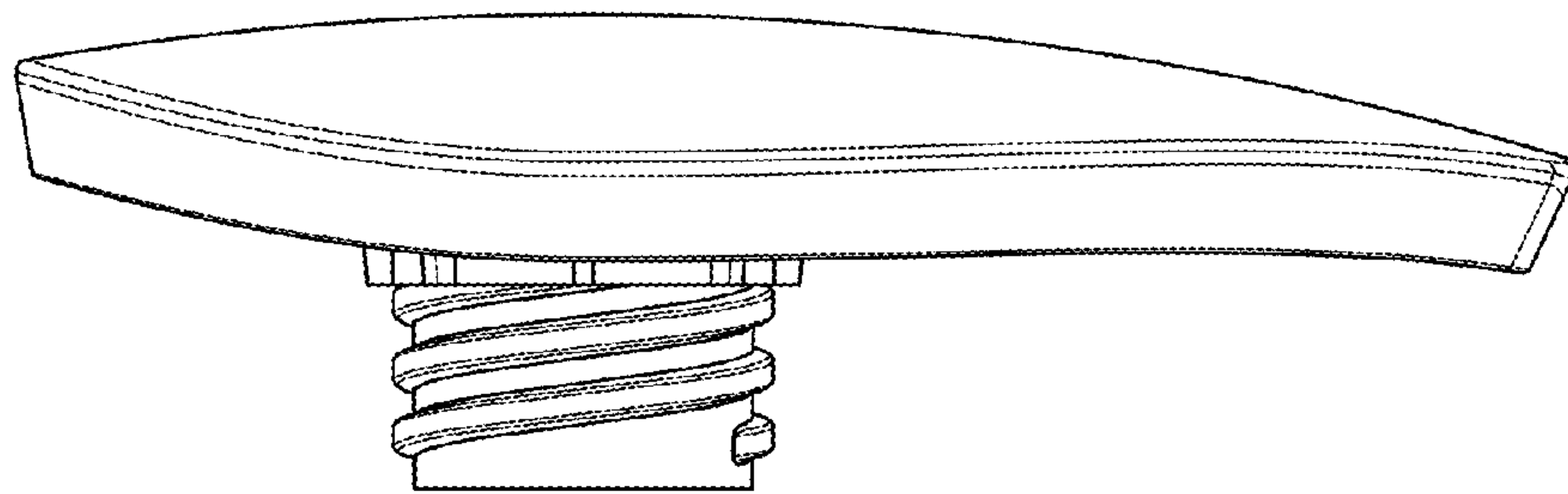


Fig. 3

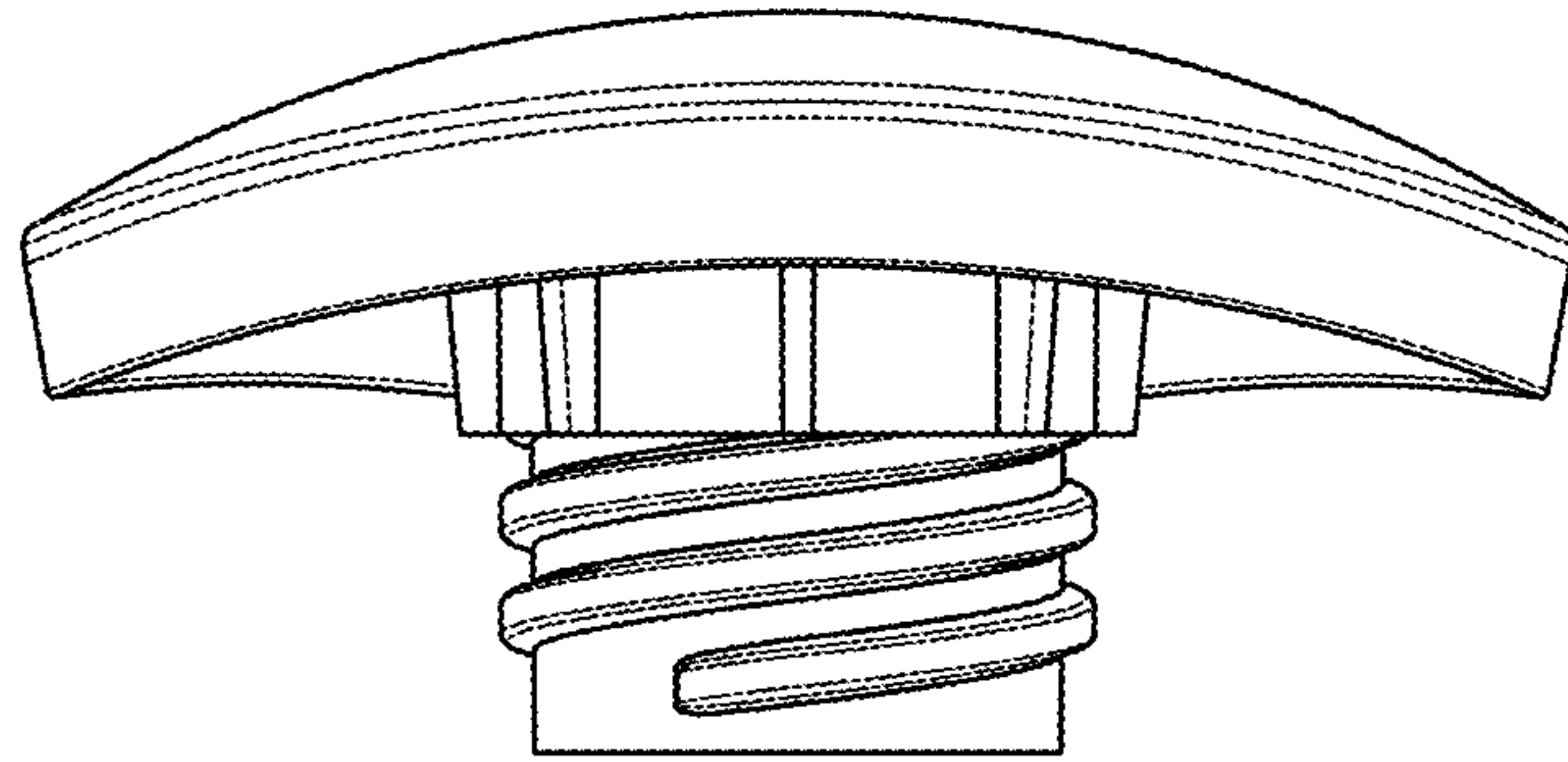


Fig. 4

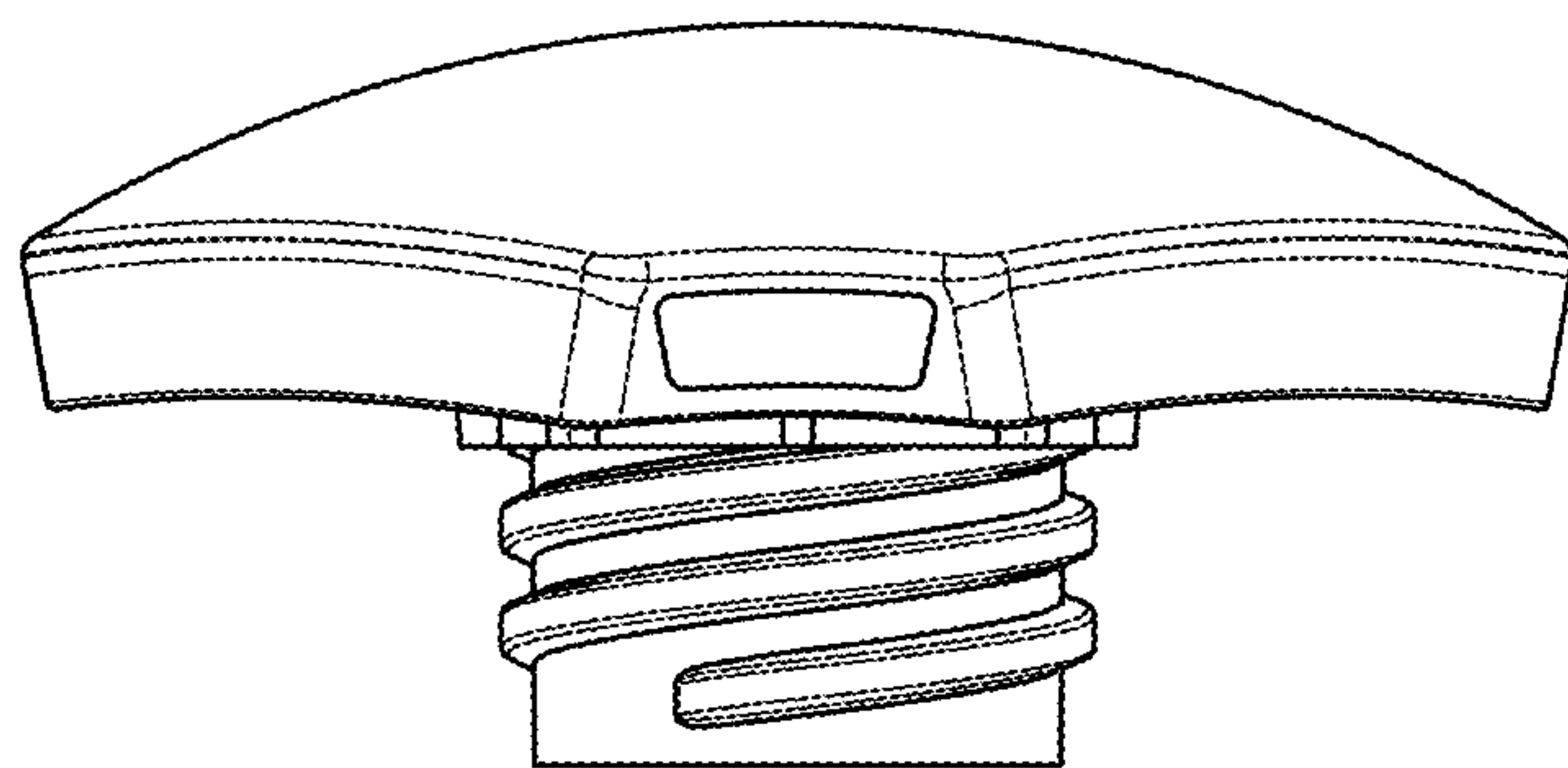


Fig. 5

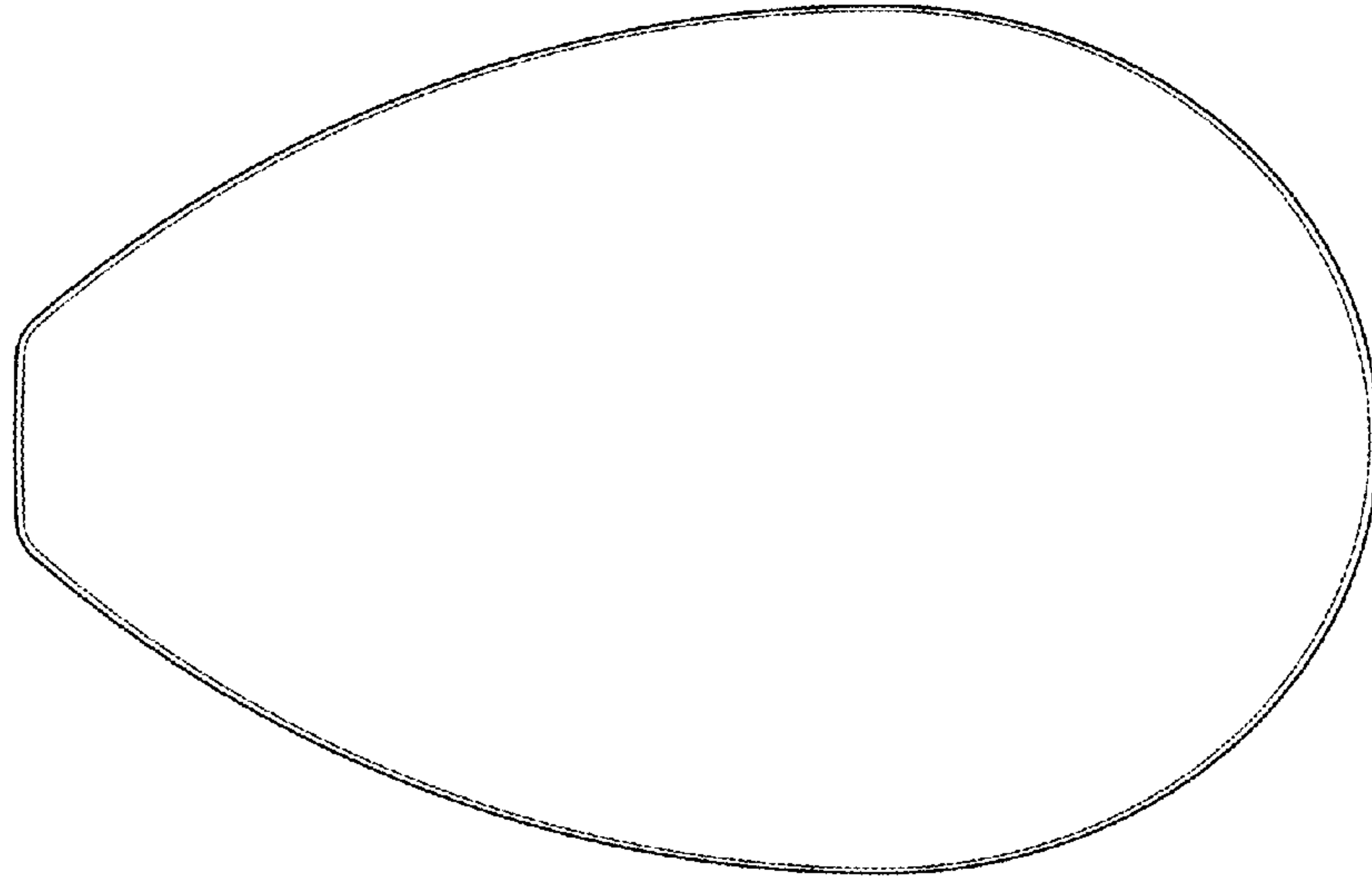


Fig. 6

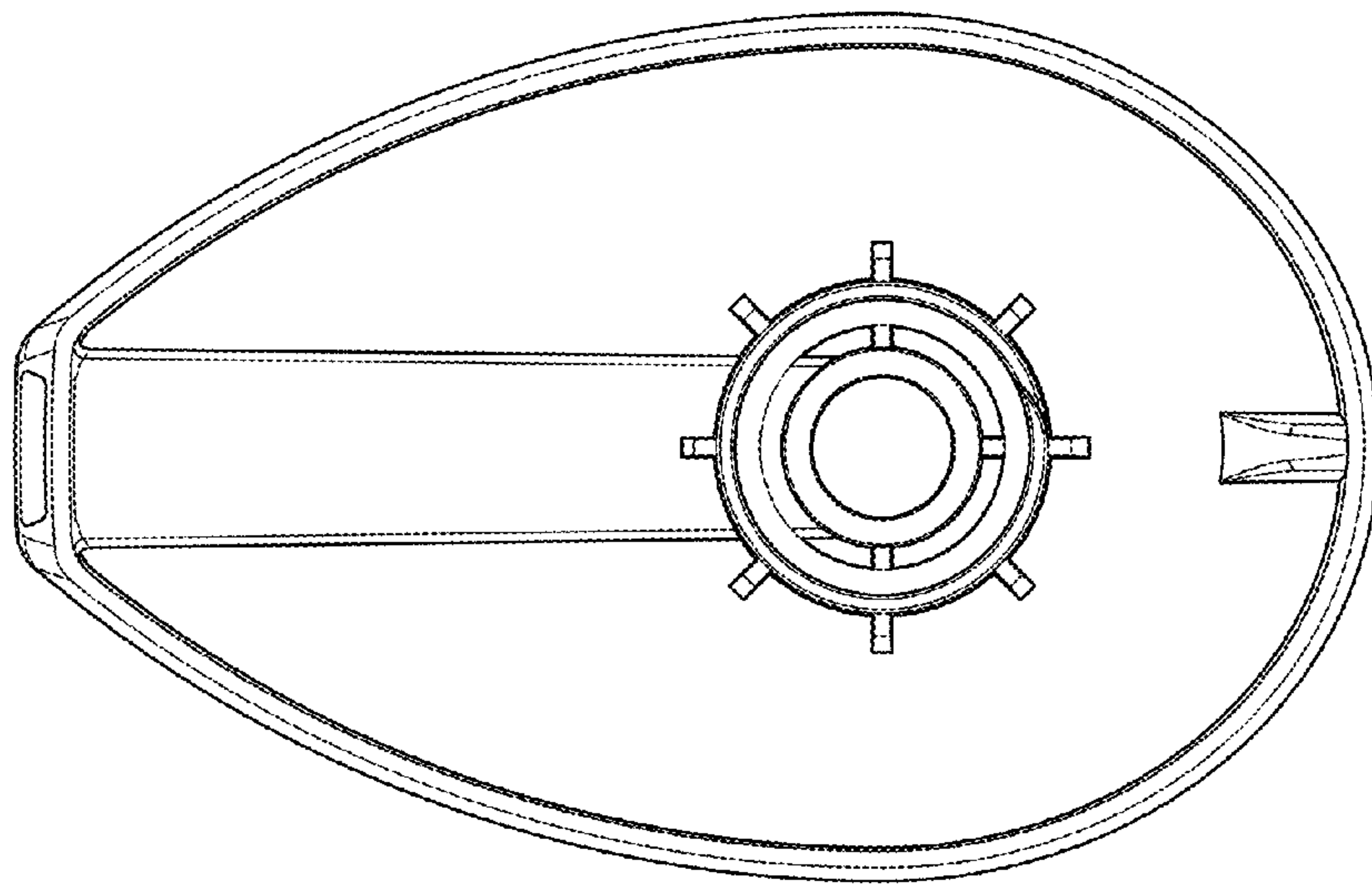


Fig. 7

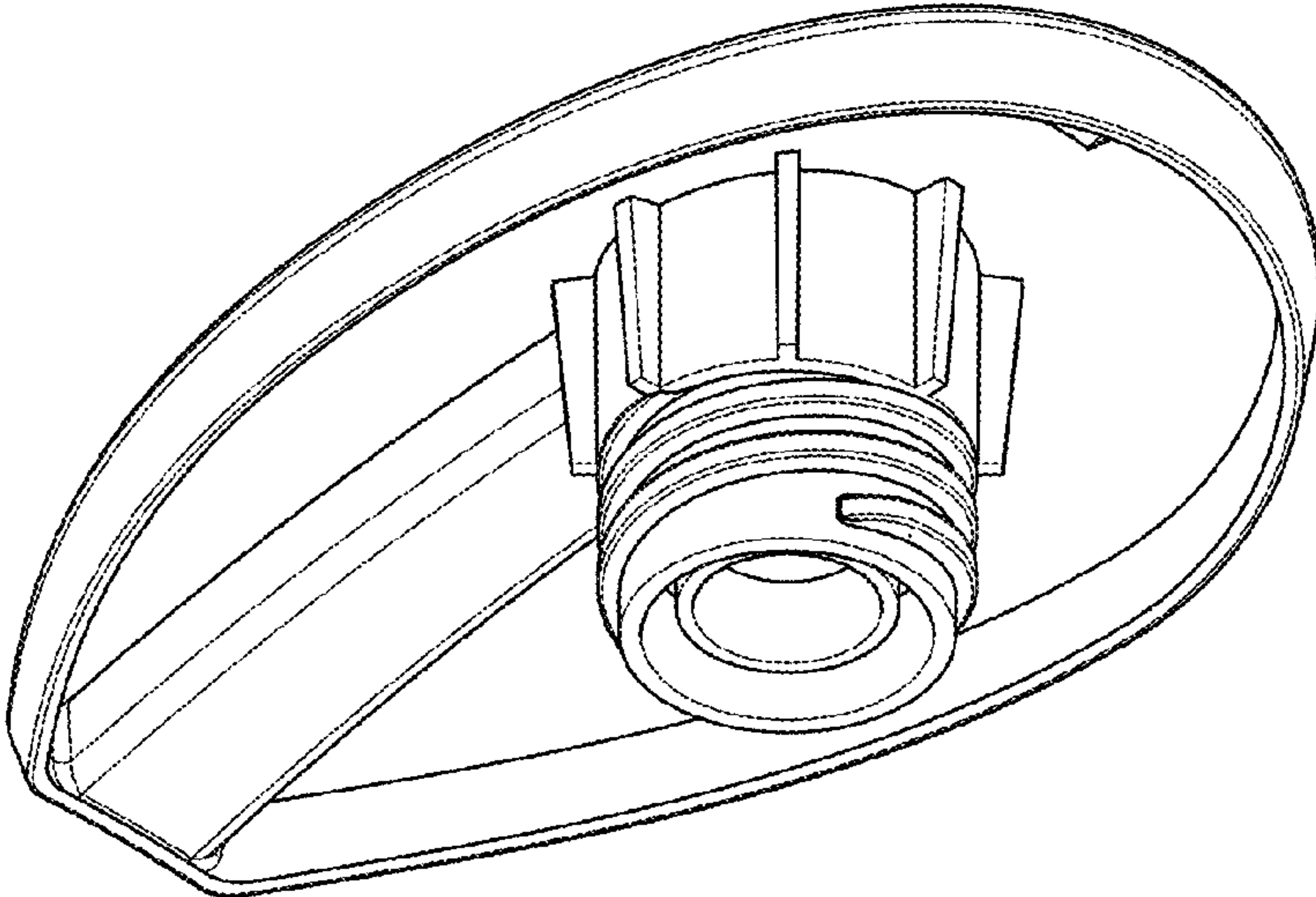


Fig. 8

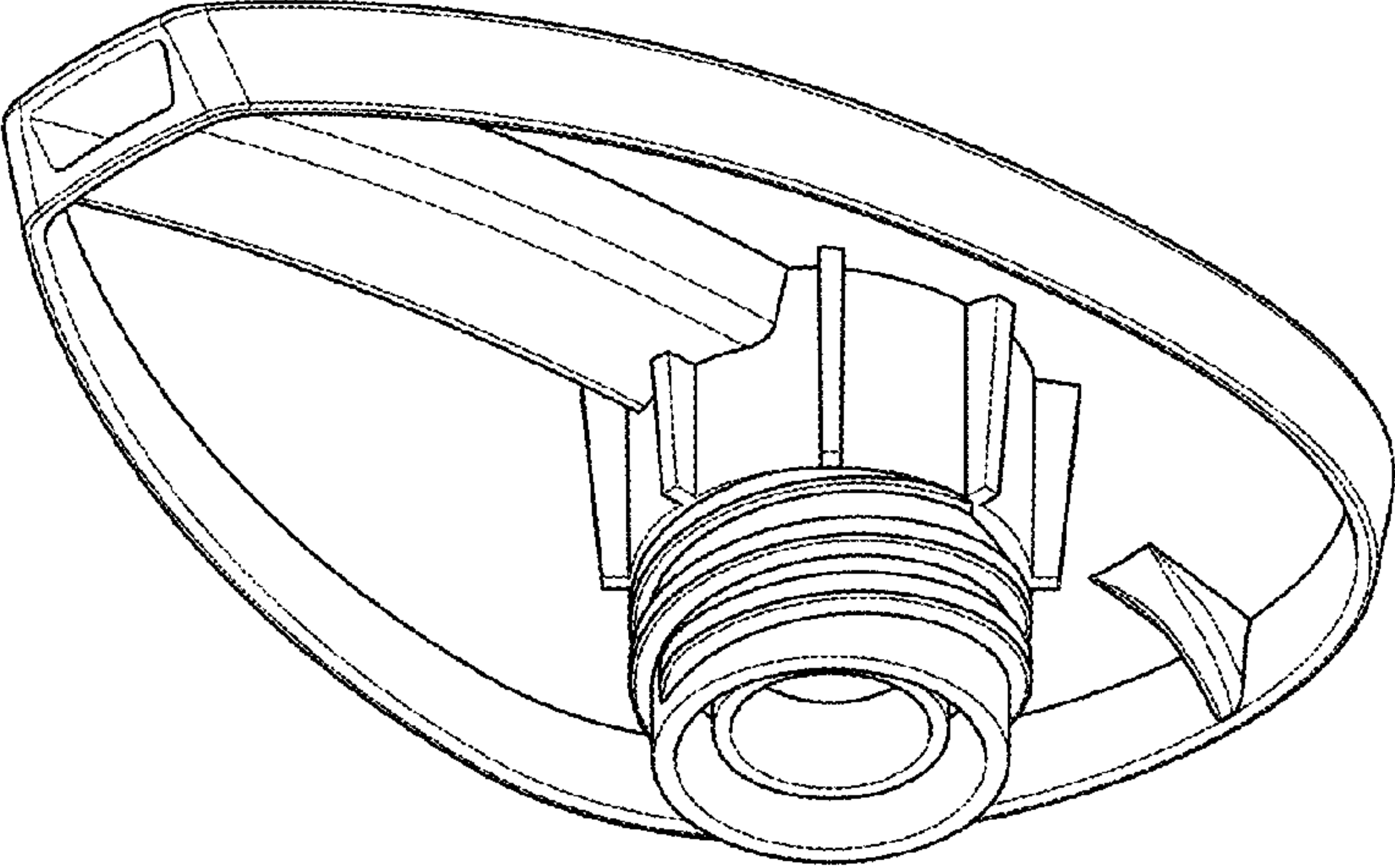


Fig. 9