



US00D709760S

(12) **United States Design Patent**
Castell, Jr.

(10) **Patent No.:** **US D709,760 S**
(45) **Date of Patent:** **** Jul. 29, 2014**

(54) **BAG HANDLE**

(71) Applicant: **Clemon Castell, Jr.**, Pueblo, CO (US)

(72) Inventor: **Clemon Castell, Jr.**, Pueblo, CO (US)

(**) Term: **14 Years**

(21) Appl. No.: **29/445,027**

(22) Filed: **Feb. 6, 2013**

(51) **LOC (10) Cl.** **09-07**

(52) **U.S. Cl.**
USPC **D9/434; D9/455**

(58) **Field of Classification Search**
USPC D9/434, 455, 499; D3/328, 276, 282,
D3/291; D8/10, 14, 356, 367, 368, 372;
D21/532; 294/137, 146, 153, 158, 159,
294/170, 171; 16/428; D6/323

See application file for complete search history.

(56) **References Cited**

U.S. PATENT DOCUMENTS

D14,310 S *	9/1883	Palmenberg	D6/323
D19,322 S *	10/1889	Campbell	D8/372
5,339,555 A *	8/1994	Miskimins	43/5
D353,492 S *	12/1994	Goodman et al.	D6/323
D361,263 S	8/1995	Carmo		
D372,865 S *	8/1996	Stowell et al.	D9/434
D374,621 S *	10/1996	Salazar, Jr.	D9/434
D379,432 S *	5/1997	Santini	D9/434
D385,189 S	10/1997	Weller		
D386,409 S *	11/1997	Santini	D9/434
D388,326 S	12/1997	Gurry		
D392,098 S	3/1998	Finkelman		
D400,785 S *	11/1998	Randall	D9/434
D408,259 S *	4/1999	Hagen	D8/300
D441,653 S	5/2001	LeRoux		

6,247,739 B1	6/2001	Lyon		
D448,665 S	10/2001	Lenczowski		
D458,130 S	6/2002	Ronne		
7,232,168 B2 *	6/2007	Orefice	294/137
D559,679 S *	1/2008	Findon	D9/434
D563,741 S *	3/2008	Patton	D8/10
D565,405 S *	4/2008	Lenci	D9/434
D574,233 S *	8/2008	Young, Sr.	D9/434
D578,859 S *	10/2008	Bednarz	D8/300
7,533,916 B2	5/2009	Eichenbaum		
D595,130 S *	6/2009	Bizzell	D9/434
D618,973 S *	7/2010	Gosselin	D8/10
D629,301 S *	12/2010	Jarrell et al.	D9/455
D643,991 S *	8/2011	Miller et al.	D34/28
2004/0201236 A1	10/2004	Adelson		

* cited by examiner

Primary Examiner — Susan Bennett Hattan

Assistant Examiner — Brett Miller

(74) *Attorney, Agent, or Firm* — QuickPatents; Kevin Prince

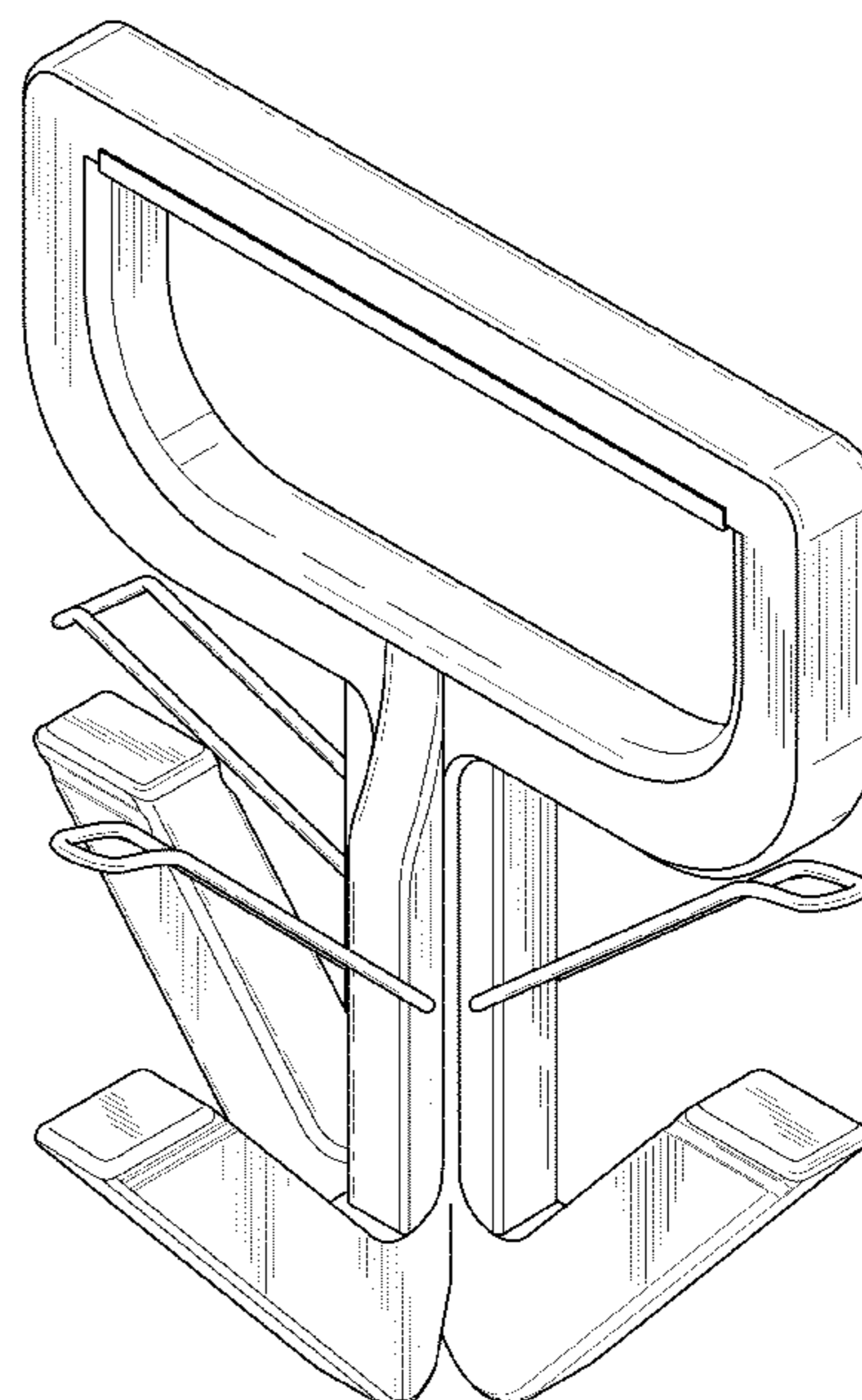
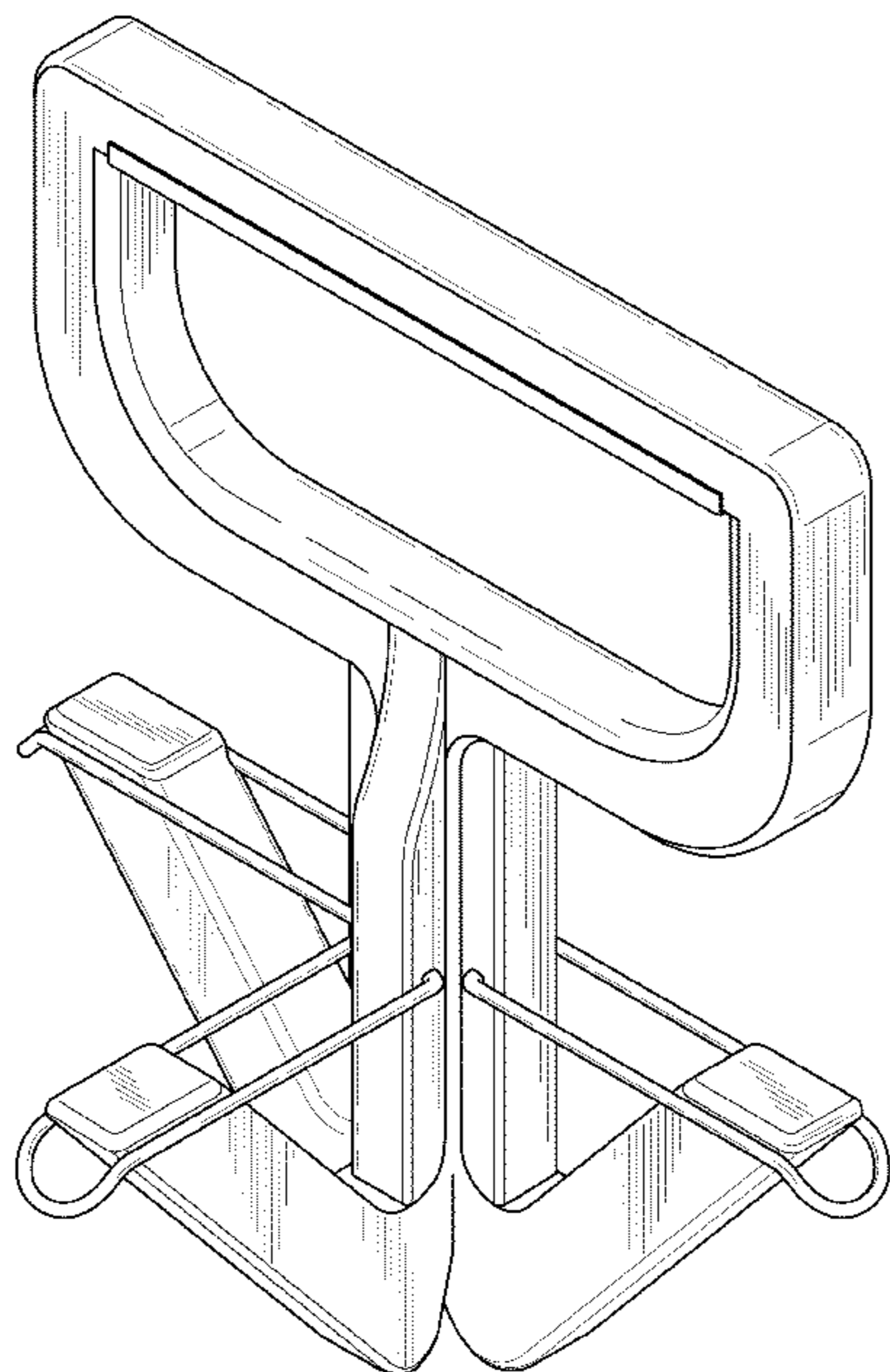
(57) **CLAIM**

I claim the ornamental design for a bag handle, as shown and described.

DESCRIPTION

FIG. 1 is a perspective view of a bag handle, showing my new design in a closed position;
FIG. 2 is a perspective view thereof, illustrated in an open position;
FIG. 3 is a front elevational view of FIG. 1;
FIG. 4 is a rear elevational view of FIG. 1;
FIG. 5 is a left-side elevational view of FIG. 1, the right-side elevational view being a mirror image thereof;
FIG. 6 is a top plan view of FIG. 1; and,
FIG. 7 is a bottom plan view of FIG. 1.

1 Claim, 6 Drawing Sheets



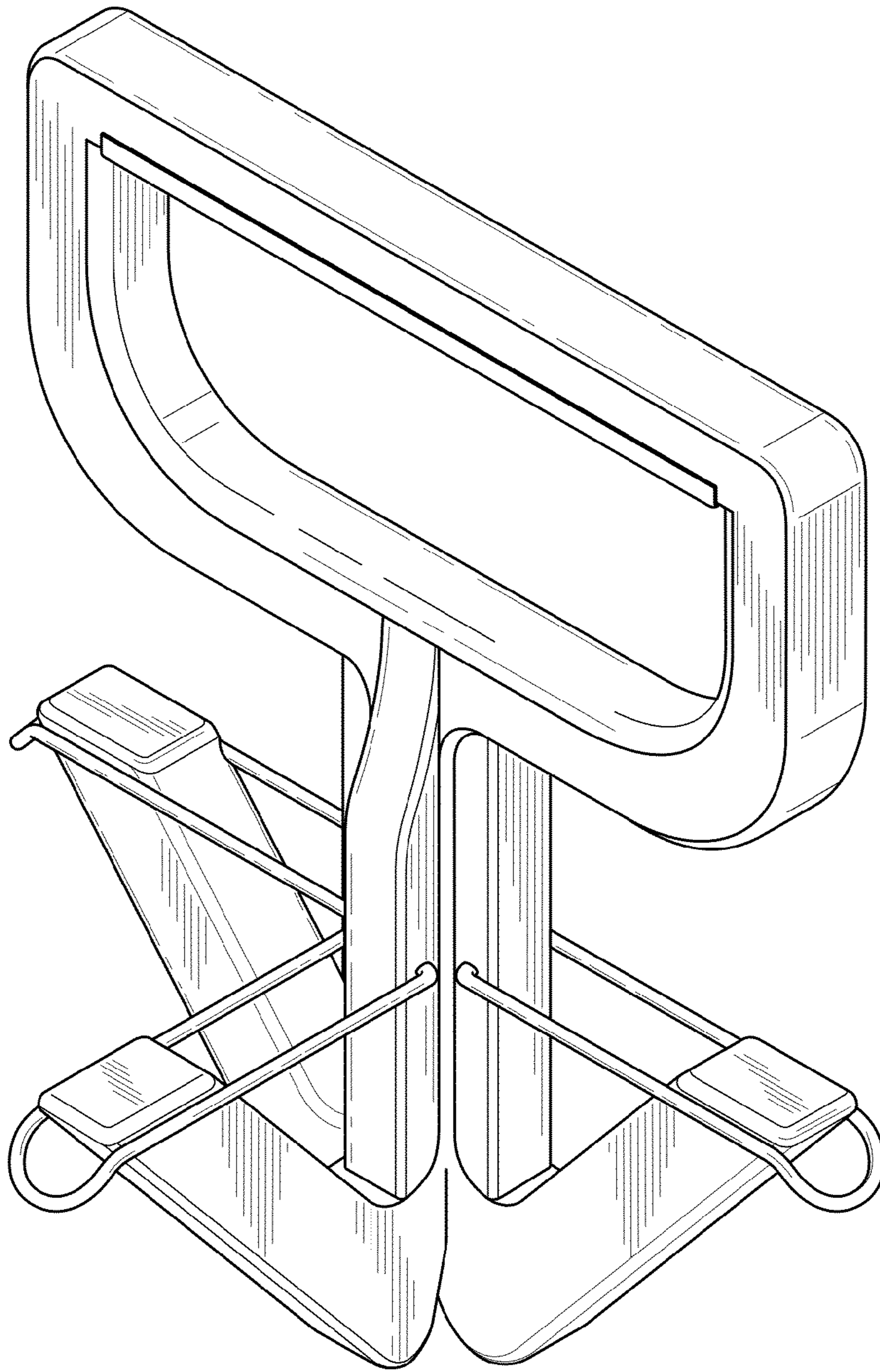


FIG. 1

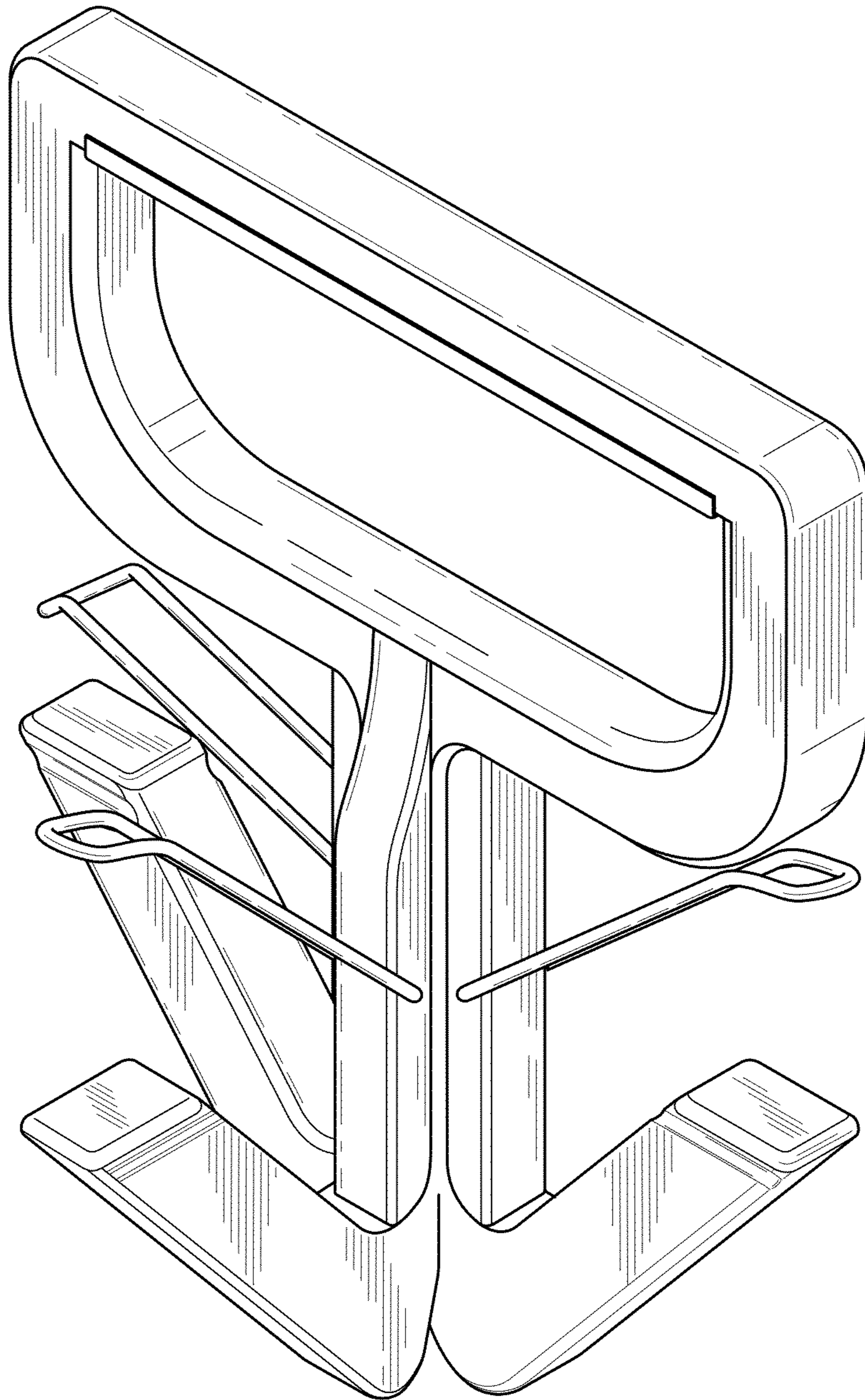


FIG. 2

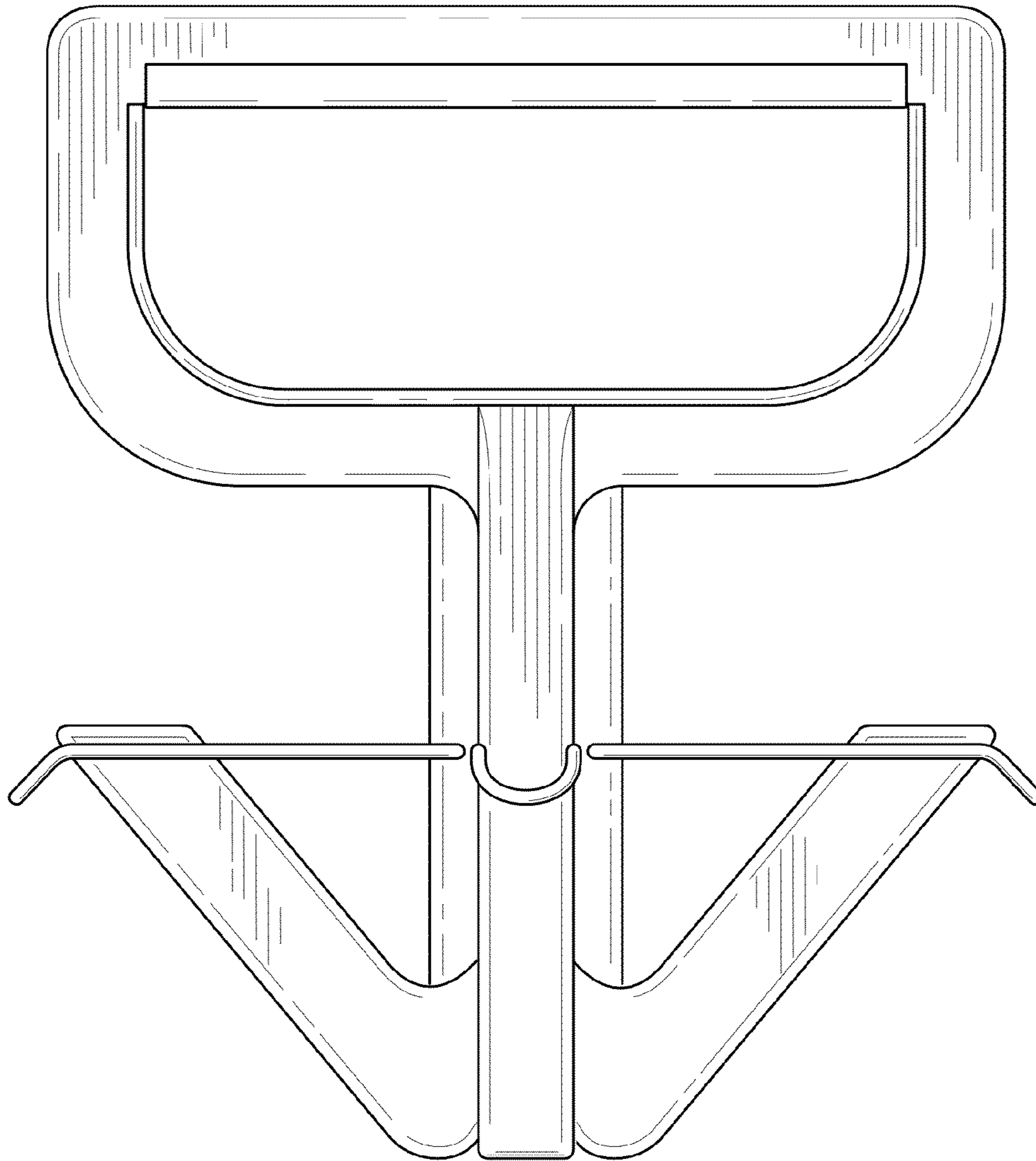


FIG. 3

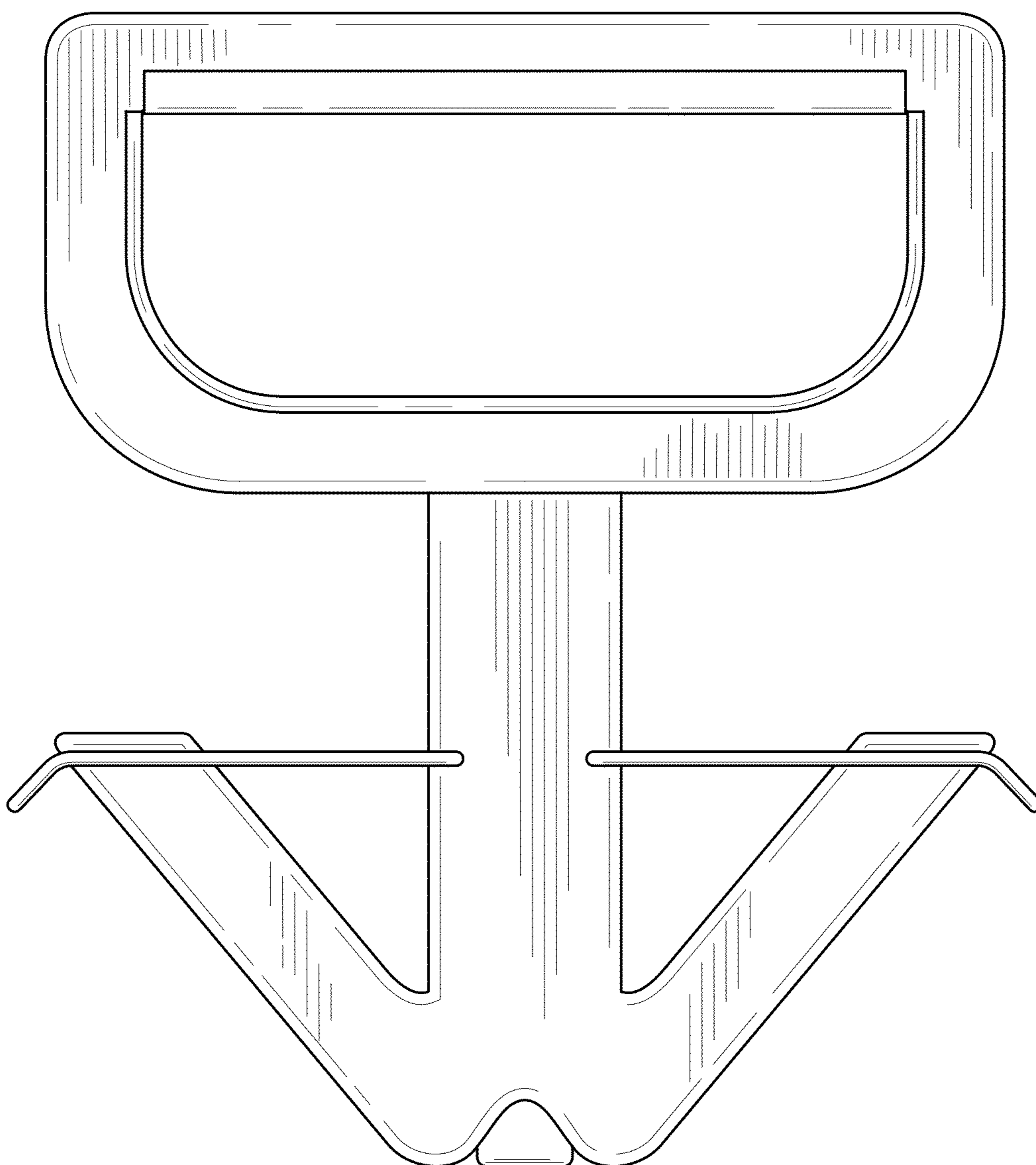


FIG. 4

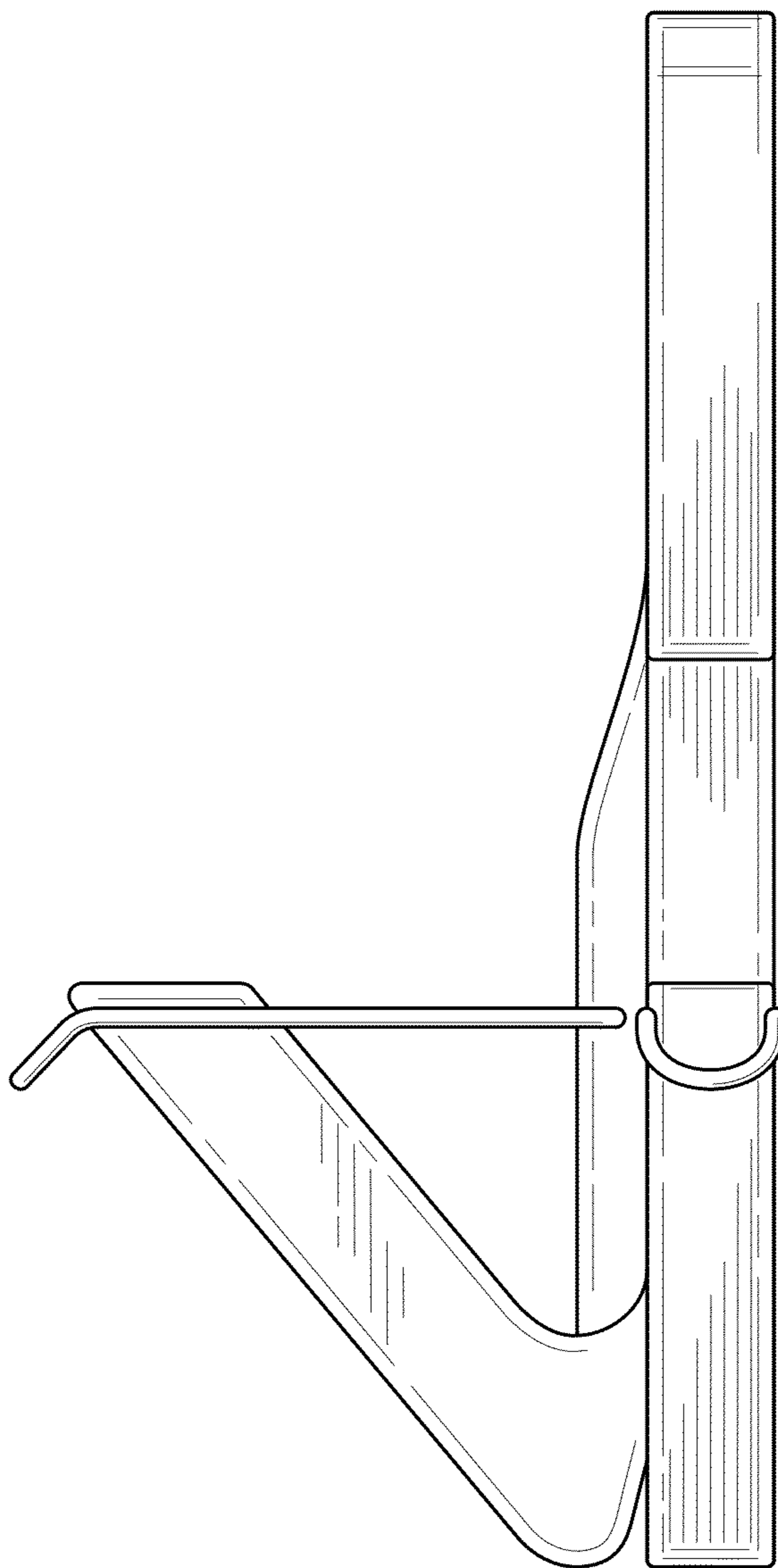


FIG. 5

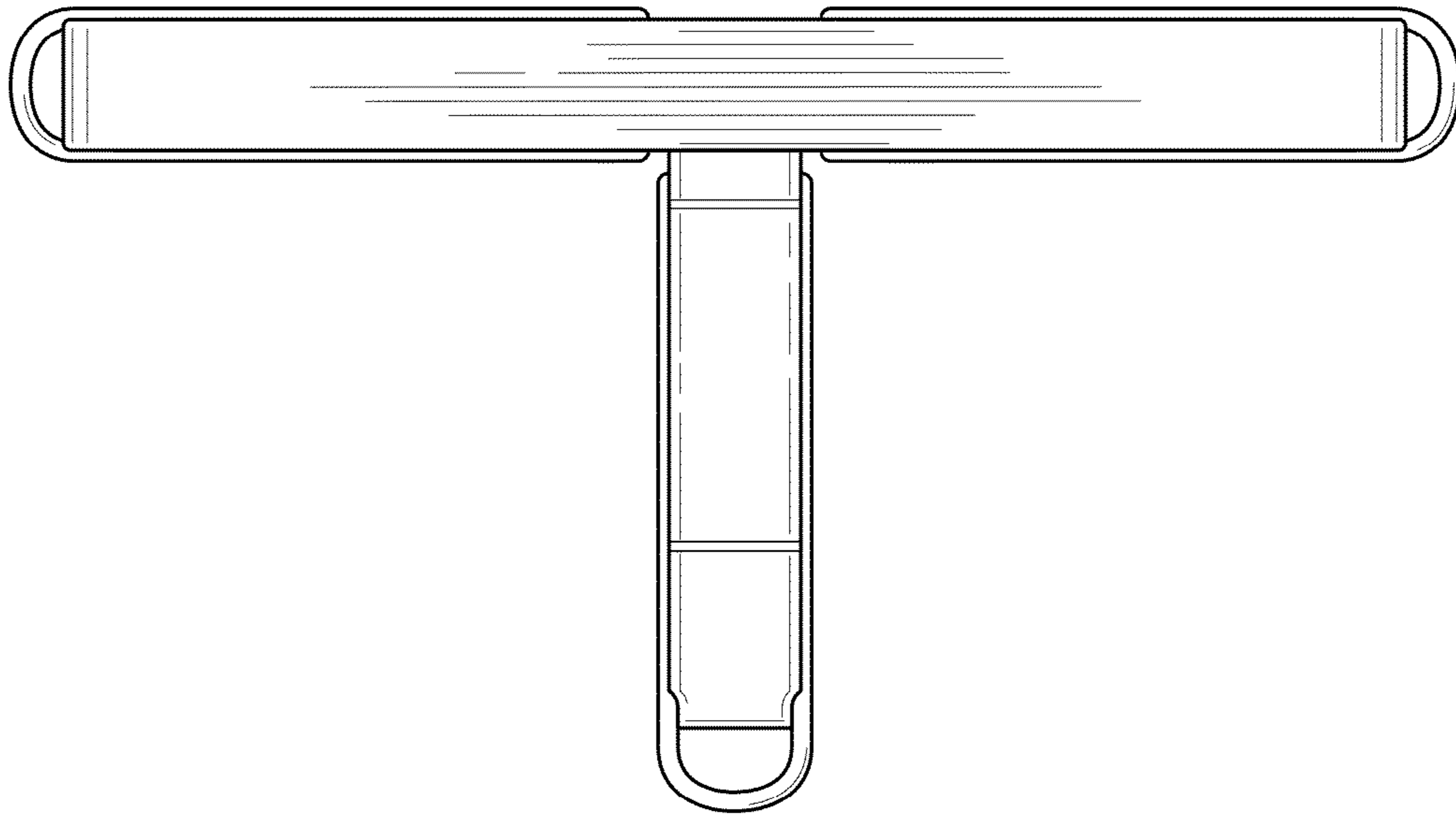


FIG. 6

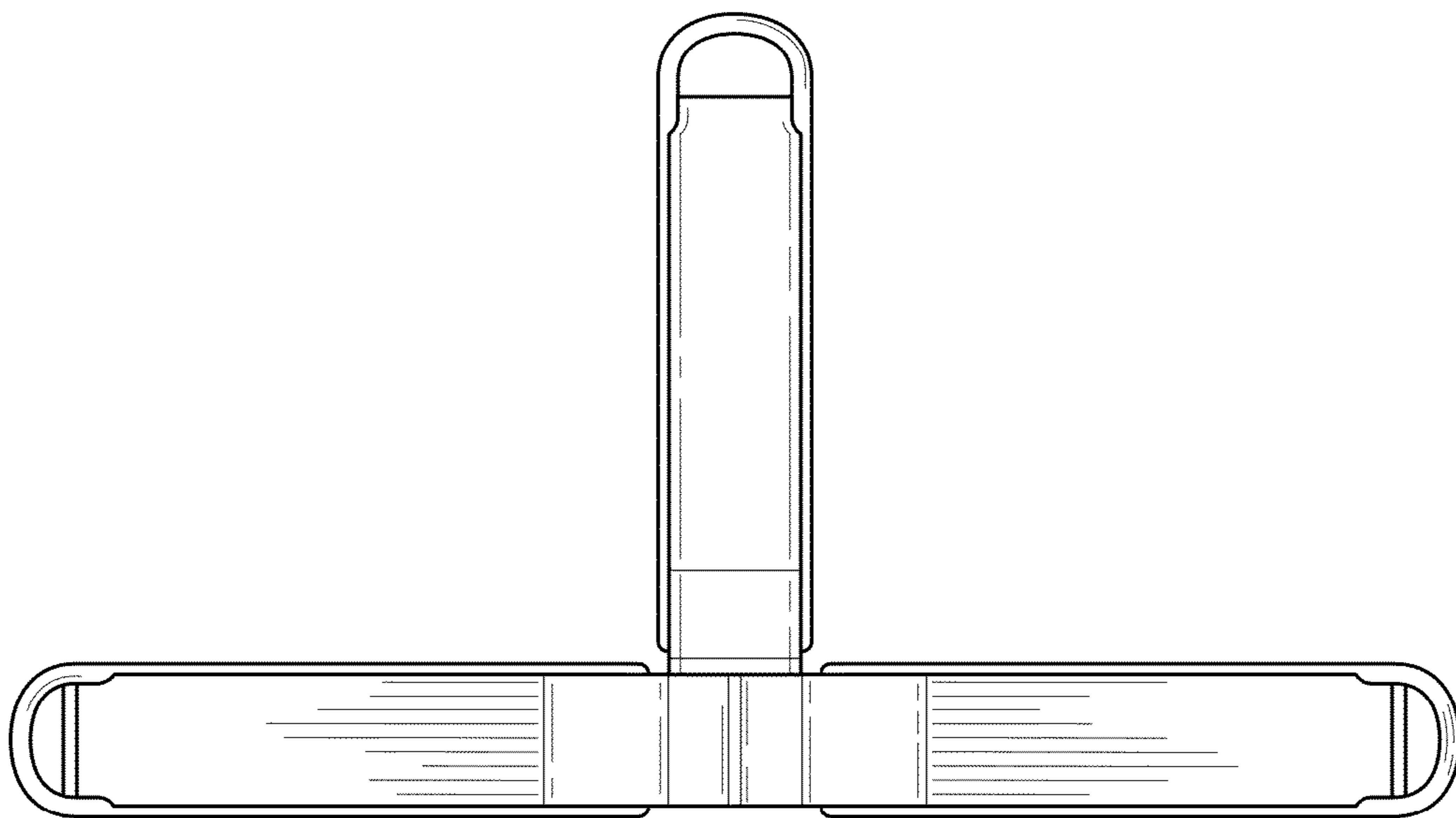


FIG. 7