



US00D709758S

(12) **United States Design Patent**
Burdock-Latter et al.

(10) **Patent No.:** **US D709,758 S**

(45) **Date of Patent:** **** Jul. 29, 2014**

(54) **DISPLAY PACKAGE**

D21/443, 455, 460, 488, 667, 797, 800;
D11/142; D7/538

(71) Applicant: **R.J. Reynolds Tobacco Company**,
Winston-Salem, NC (US)

See application file for complete search history.

(72) Inventors: **Darren Brett Burdock-Latter**,
Northampton (GB); **Benjamin Siôn**
Mainwaring, London (GB); **Wesley**
Steven Jones, Lexington, NC (US);
Jerry Wayne Pipes, Clemmons, NC
(US); **Stephanie Cordisco**, Kernersville,
NC (US); **Joshua Lee Jones**, Clemmons,
NC (US); **Donald Leon Robertson**,
Stoneville, NC (US)

(56) **References Cited**

U.S. PATENT DOCUMENTS

D387,982 S * 12/1997 Kaplan D9/423
D476,886 S * 7/2003 Christianson D9/422

(Continued)

Primary Examiner — Caron D Veynar

Assistant Examiner — Rhea Shields

(74) *Attorney, Agent, or Firm* — Womble Carlyle Sandridge
& Rice, LLP

(73) Assignee: **R.J. Reynolds Tobacco Company**,
Winston-Salem, NC (US)

(57) **CLAIM**

The ornamental design for a display package, as shown and
described.

(**) Term: **14 Years**

DESCRIPTION

(21) Appl. No.: **29/447,898**

(22) Filed: **Mar. 7, 2013**

(51) **LOC (10) Cl.** **09-03**

(52) **U.S. Cl.**

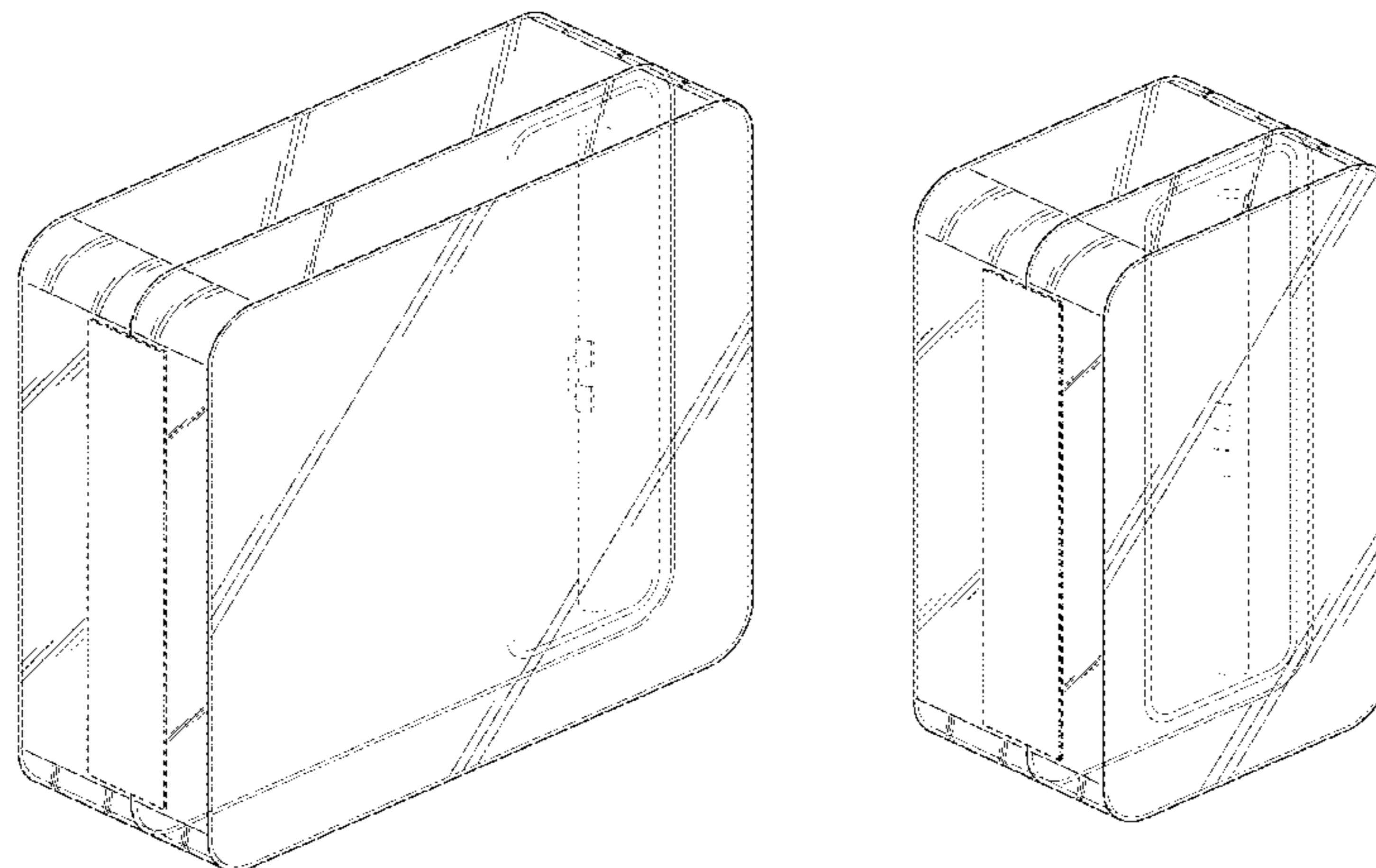
USPC **D9/418**

(58) **Field of Classification Search**

USPC D9/346, 414–418, 424, 425, 423, 428,
D9/429, 431–436, 445, 452–454, 499, 500,
D9/504, 516, 519, 522, 529, 535, 537, 545,
D9/551, 571, 672, 675, 702, 711, 715, 721,
D9/722, 737, 748, 759, 740, 743, 745, 749,
D9/756, 718, 713, 712, 546; 206/769, 773,
206/775–778, 395, 397–398, 223, 736, 756,
206/495, 349, 760, 541, 784; 229/162.1,
229/162.3, 162.7, 107, 122, 395, 938, 902,
229/409, 125.05, 116.1, 8, 22, 132, 131.1,
229/160, 125.15, 122.27, 122.31, 122.32,
229/123, 241, 172, 174, 185.1, 120.04,
229/120.13, 120.14, 120.23, 87.06, 92.3,
229/103.3, 114, 117, 117.08, 117.17, 120;
D21/108, 352, 366, 374, 375, 395, 399,

FIG. 1 is a front perspective view of a large display package
according to the first embodiment;
FIG. 2 is a rear perspective view thereof;
FIG. 3 is a front view thereof;
FIG. 4 is a rear view thereof;
FIG. 5 is a side view thereof;
FIG. 6 is a side view thereof showing the opposing side;
FIG. 7 is an end view thereof;
FIG. 8 is an end view thereof showing the opposing end;
FIG. 9 is a front perspective view of a small display package
according to the second embodiment;
FIG. 10 is a rear perspective view thereof;
FIG. 11 is a front view thereof;
FIG. 12 is a rear view thereof;
FIG. 13 is a side view thereof;
FIG. 14 is a side view thereof showing the opposing side;
FIG. 15 is an end view thereof; and,
FIG. 16 is an end view thereof showing the opposing end.
In the drawings, the broken lines depict unclaimed subject
matter only and form no part of the claimed design.

1 Claim, 12 Drawing Sheets



(56)

References Cited

U.S. PATENT DOCUMENTS

D523,743 S 6/2006 Solowiejko et al.
D531,025 S * 10/2006 Tanner D9/426
D554,495 S 11/2007 Hanji
D558,571 S 1/2008 Andre et al.
D558,572 S 1/2008 Andre et al.
D580,752 S 11/2008 Andre et al.
D582,267 S 12/2008 Andre et al.
D584,142 S 1/2009 Andre et al.
D585,733 S * 2/2009 Feibelman D9/423
D596,485 S 7/2009 Andre et al.
D601,884 S 10/2009 Andre et al.
D616,738 S 6/2010 Andre et al.

D616,741 S 6/2010 Andre et al.
D618,999 S 7/2010 Akana et al.
D620,795 S 8/2010 Andre et al.
D621,256 S 8/2010 Andre et al.
7,878,326 B2 2/2011 Andre et al.
D637,076 S 5/2011 Akana et al.
D649,449 S 11/2011 Akana et al.
D649,450 S 11/2011 Andre et al.
D658,492 S 5/2012 Akana et al.
D659,530 S 5/2012 Akana et al.
D668,143 S 10/2012 Akana et al.
D677,563 S 3/2013 Andre et al.
D685,654 S * 7/2013 Akana et al. D9/737
D686,065 S * 7/2013 Kuo et al. D9/432

* cited by examiner

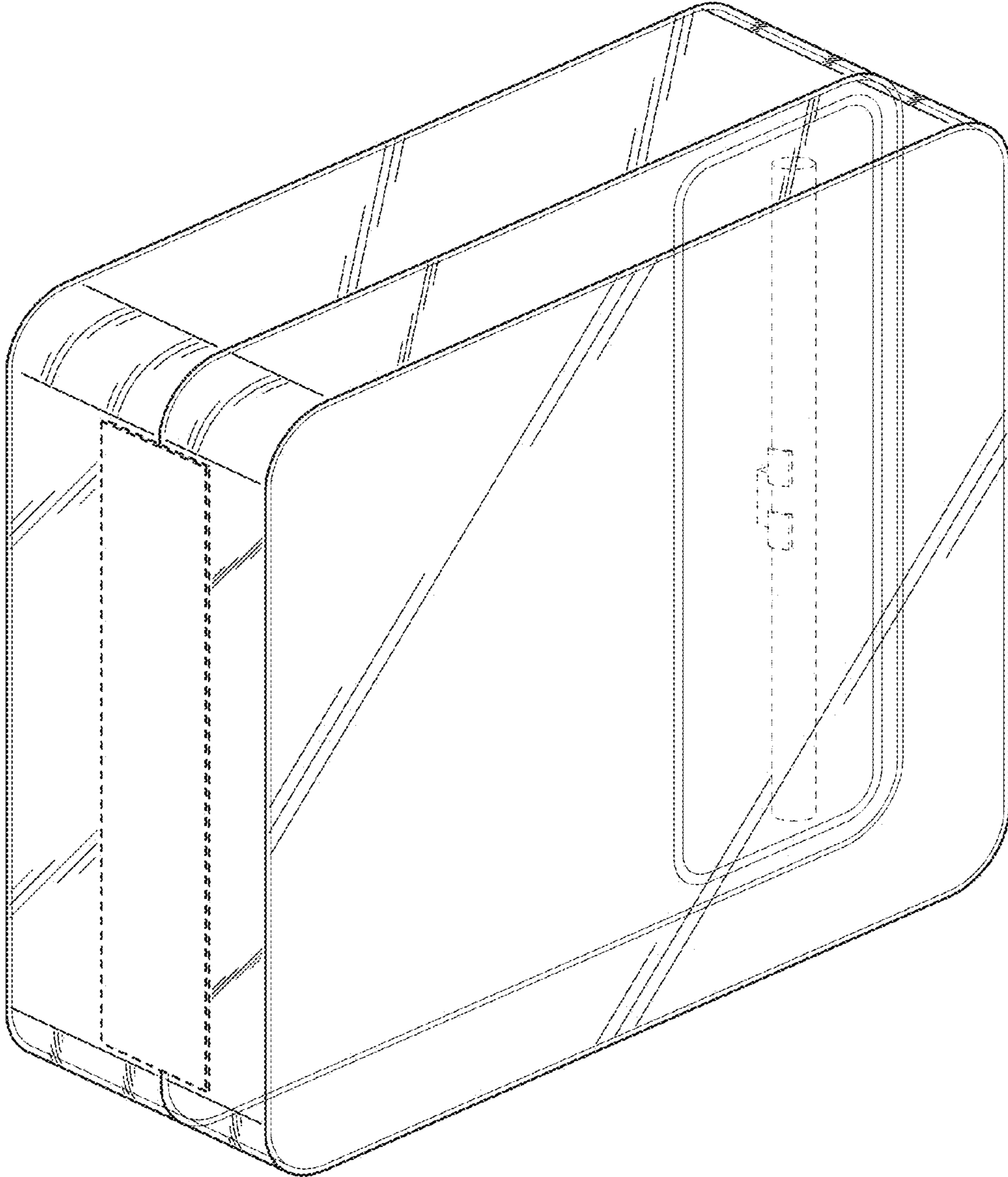


FIG. 1

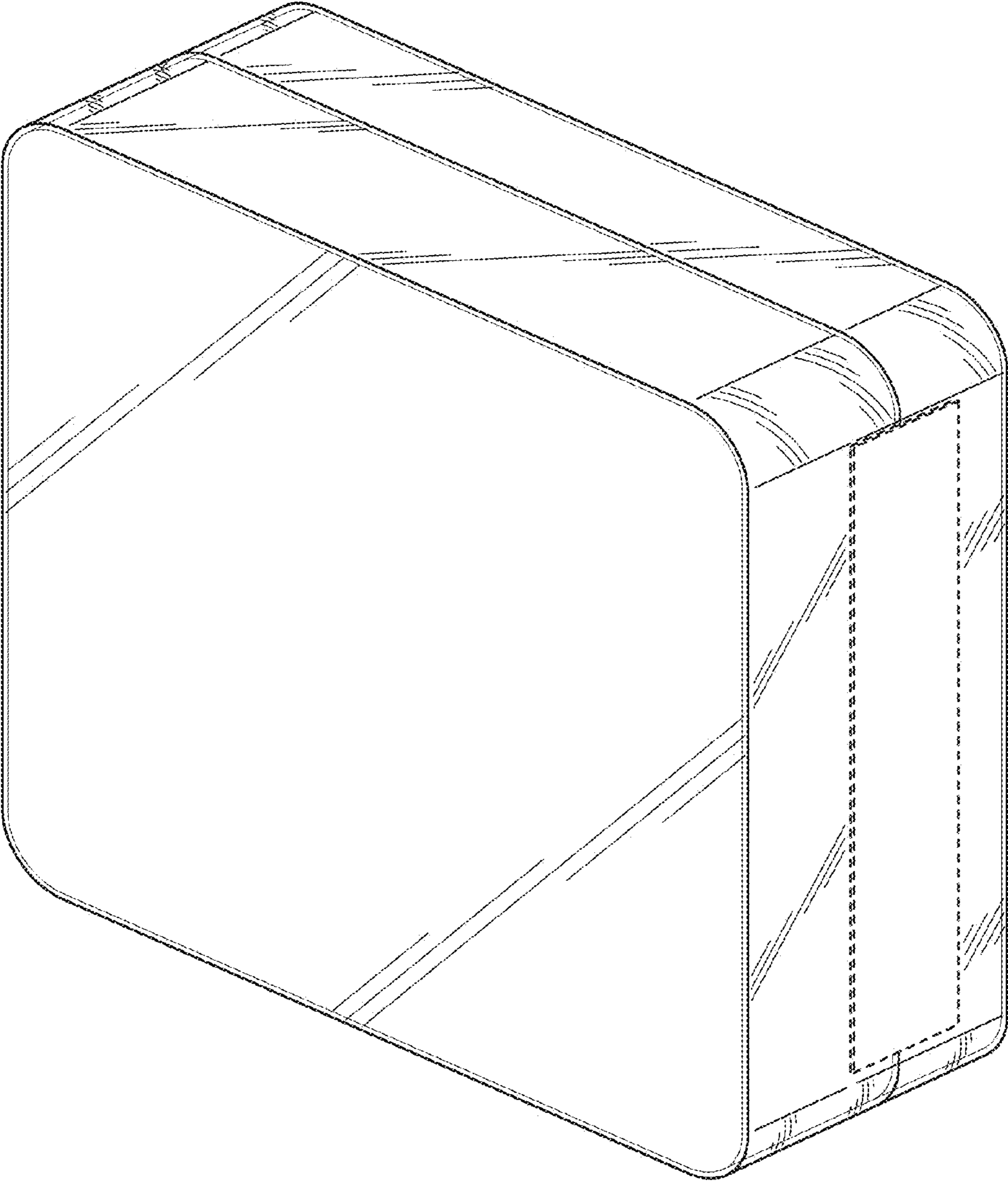


FIG. 2

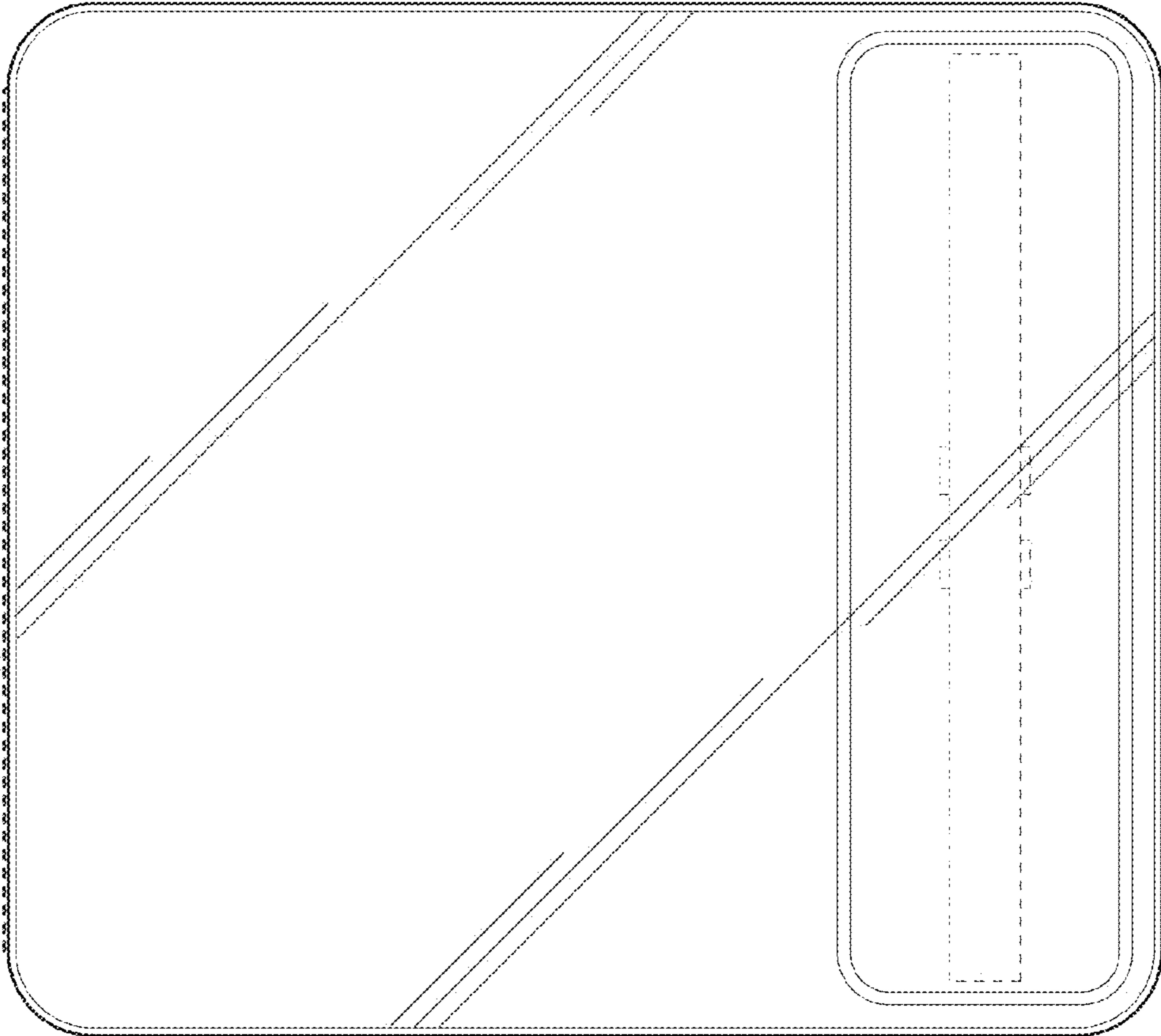


FIG. 3

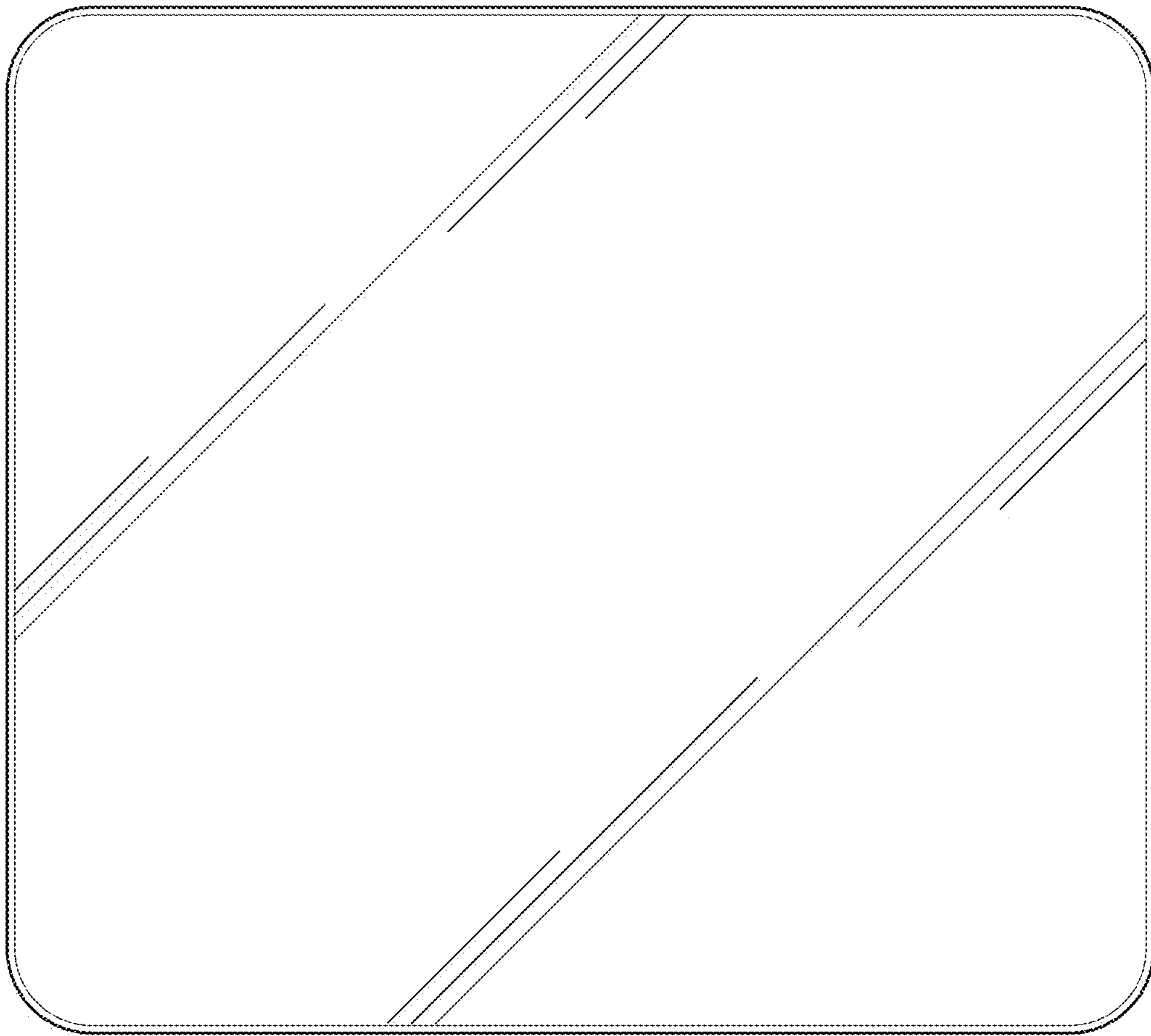


FIG. 4

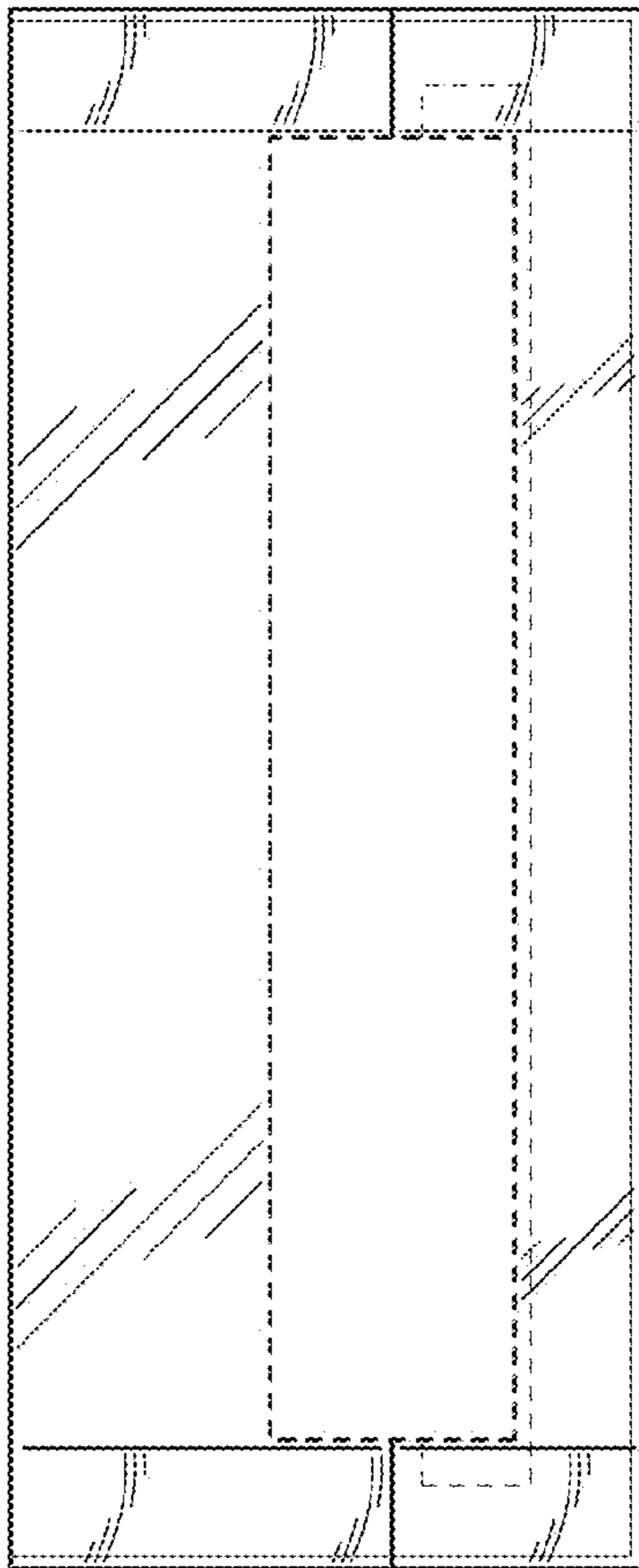


FIG. 5

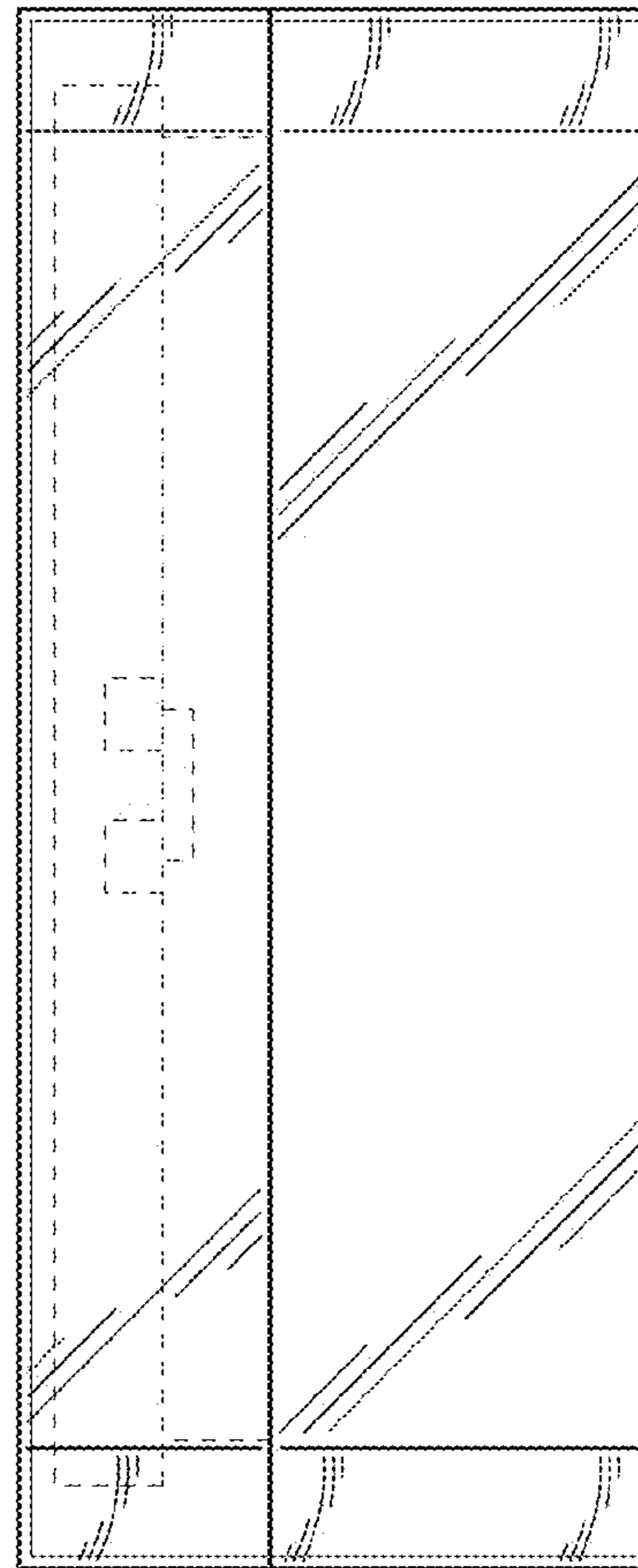


FIG. 6

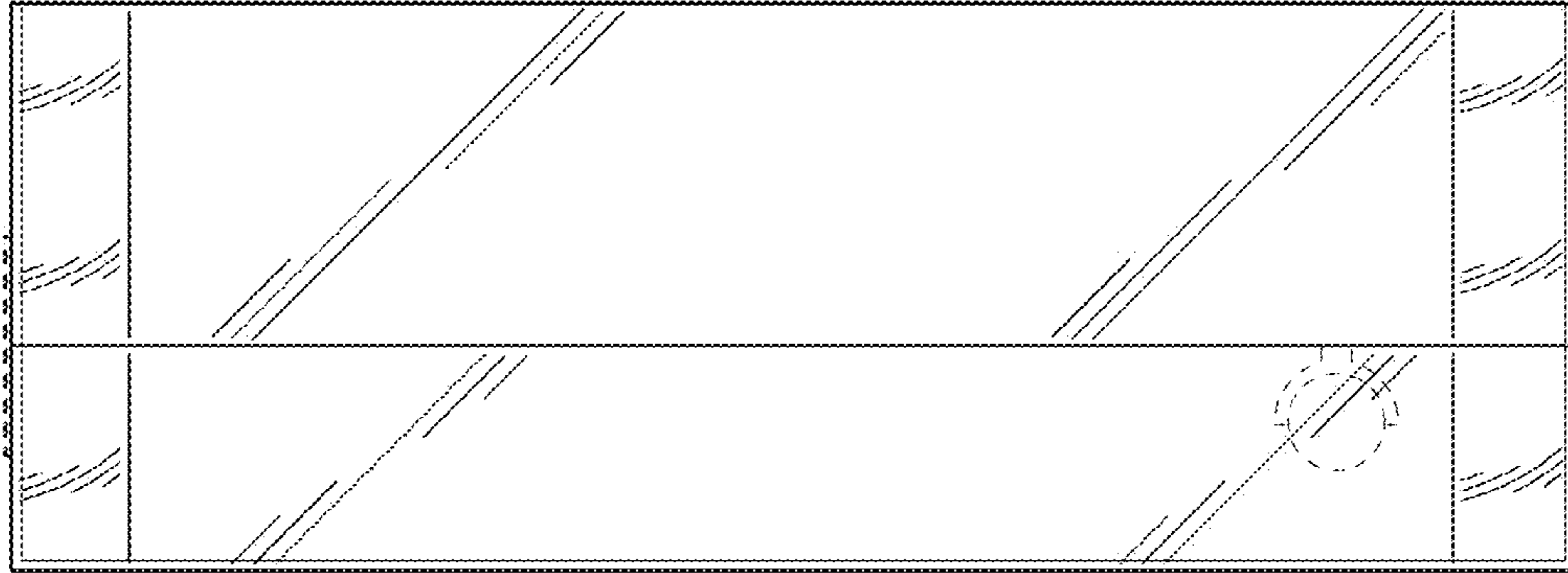


FIG. 7

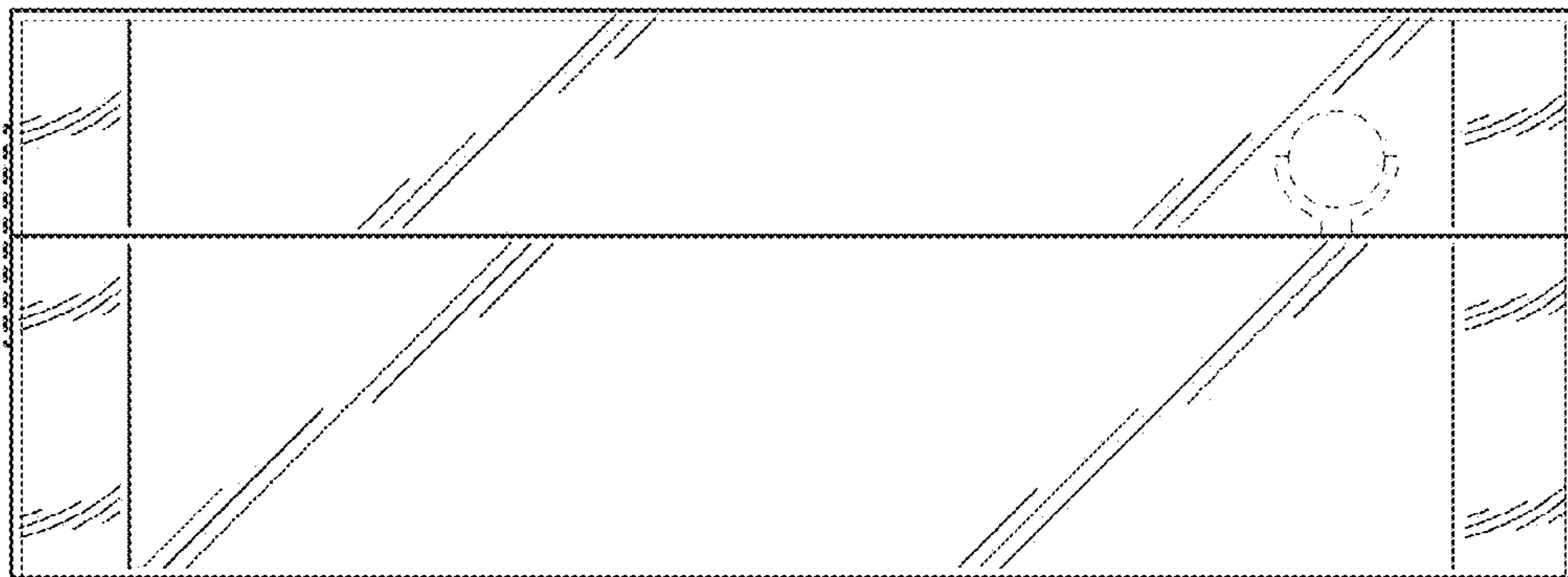


FIG. 8

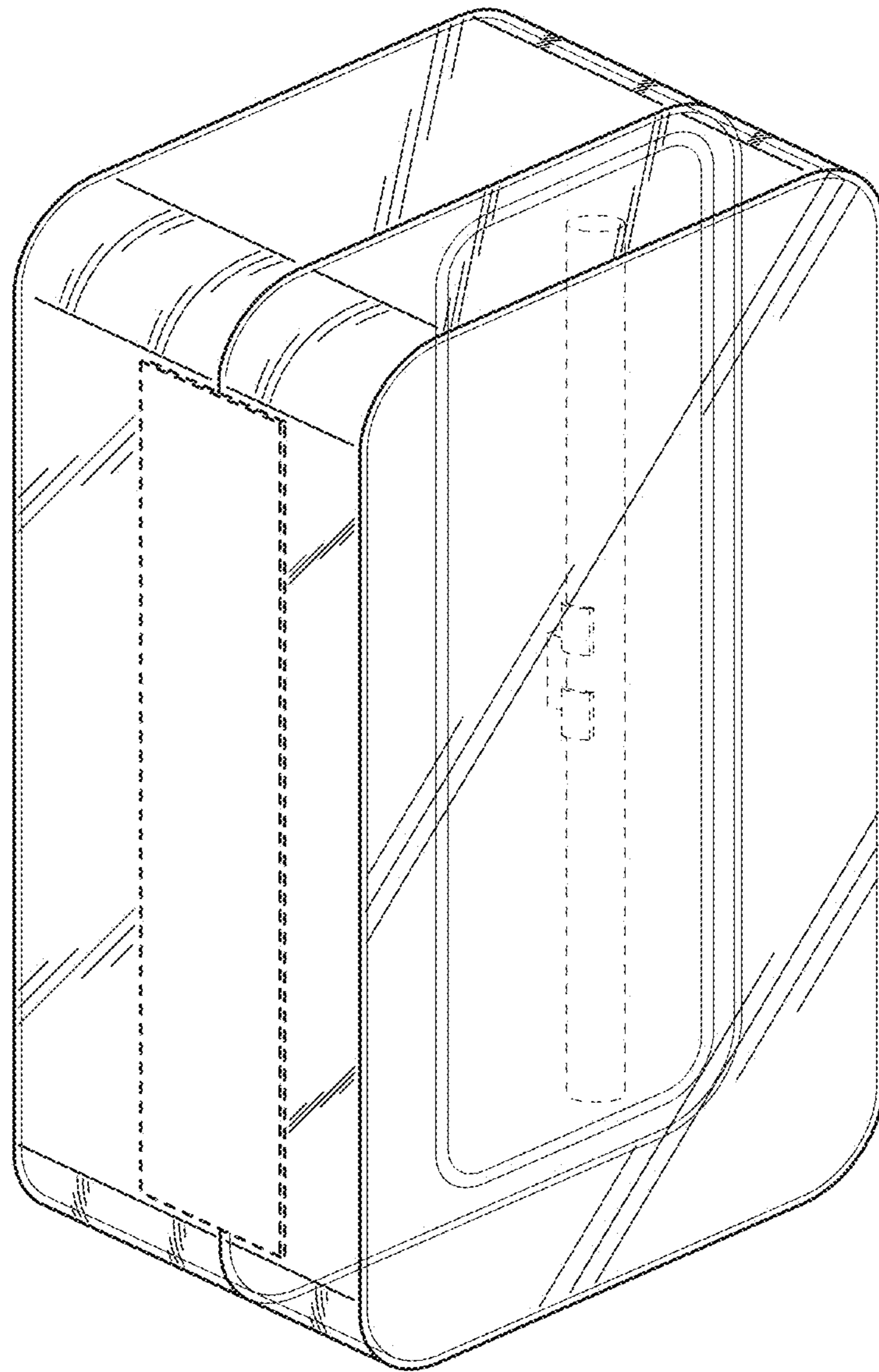


FIG. 9

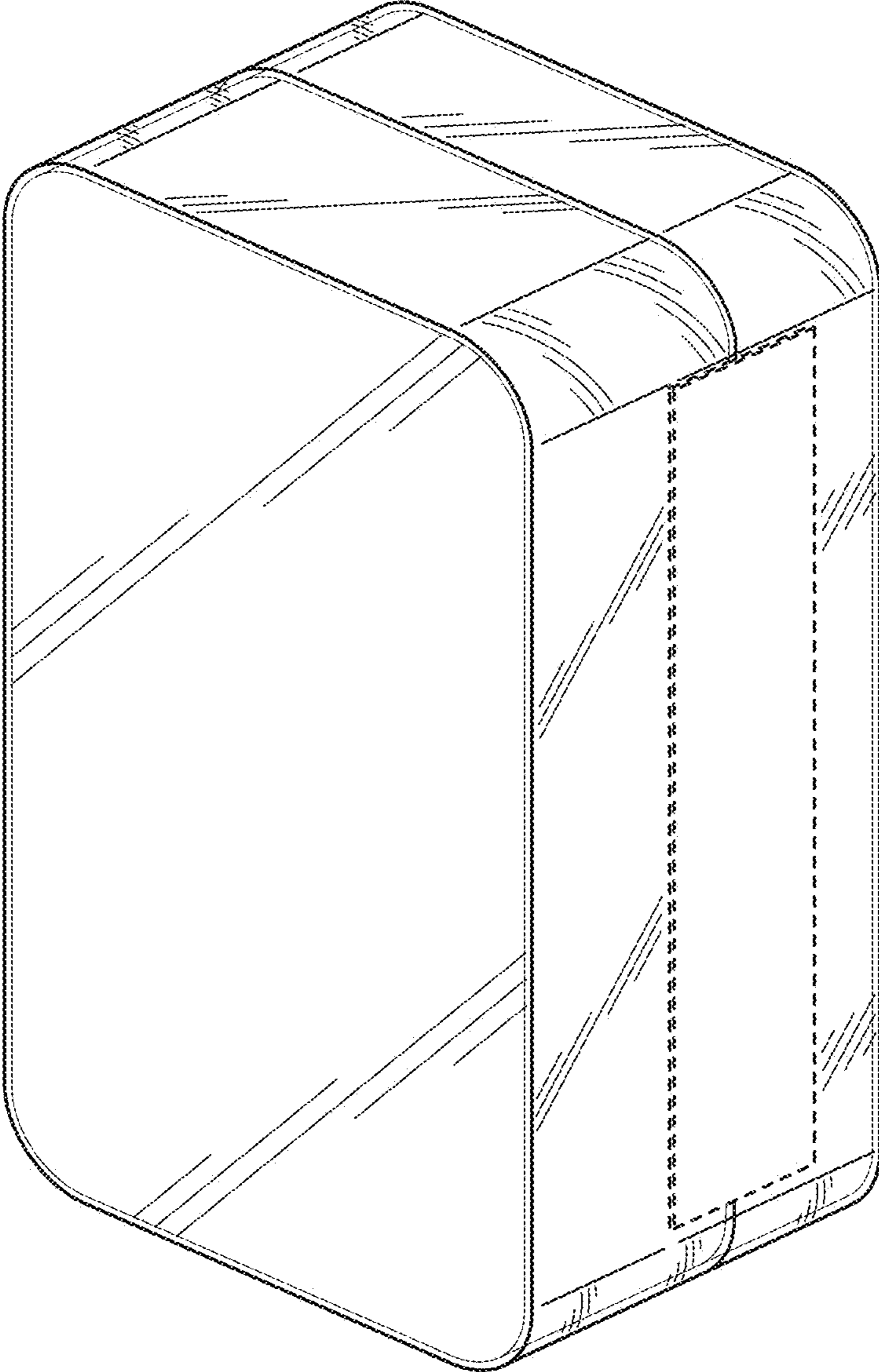


FIG. 10

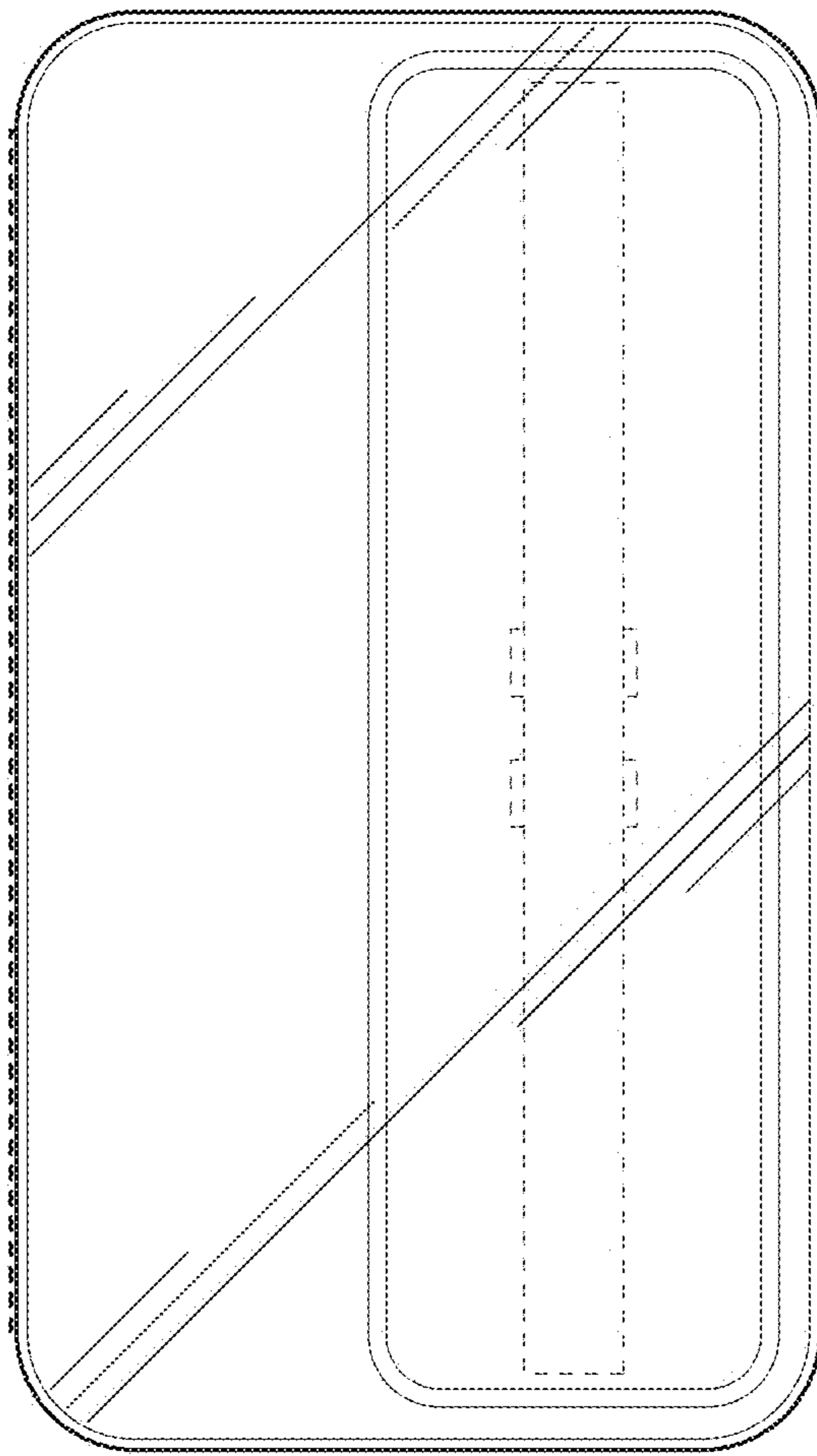


FIG. 11

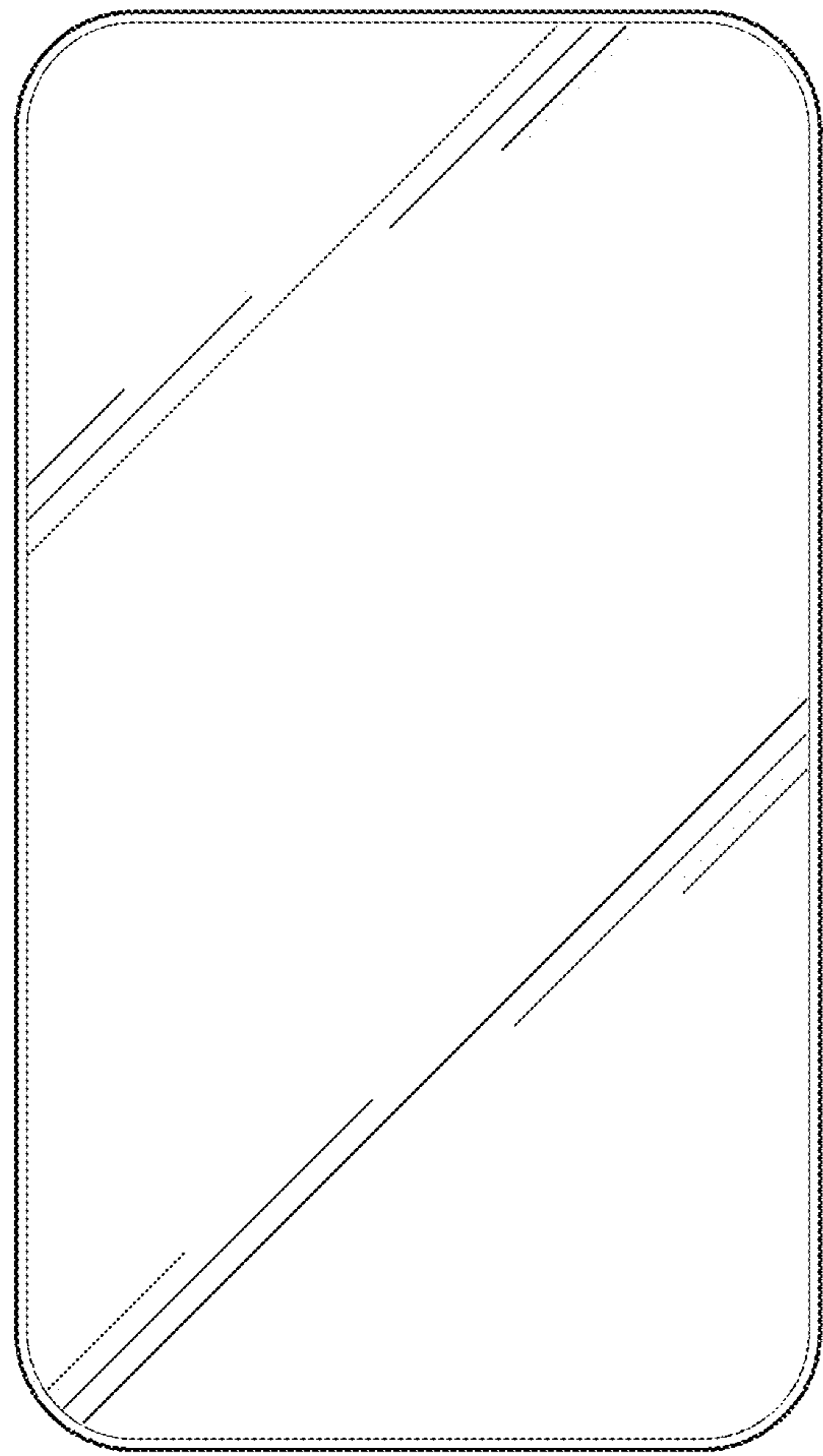


FIG. 12

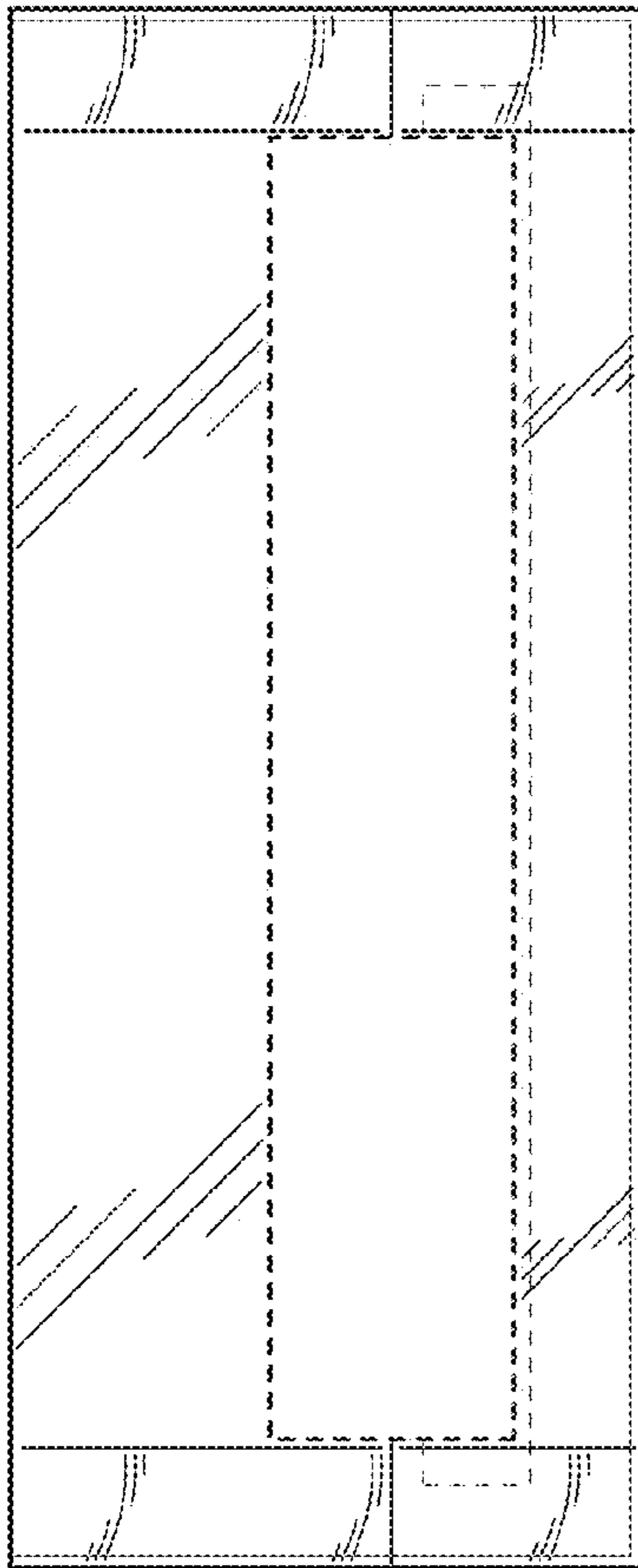


FIG. 13

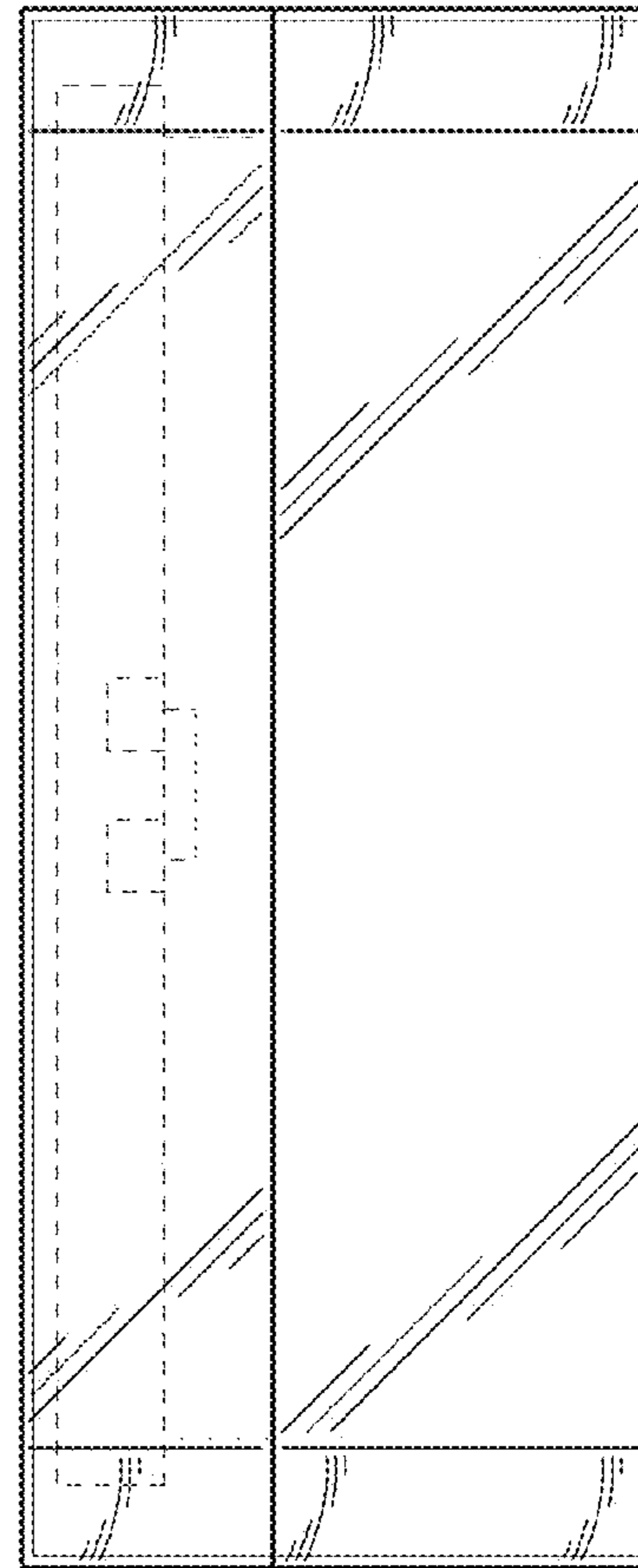


FIG. 14

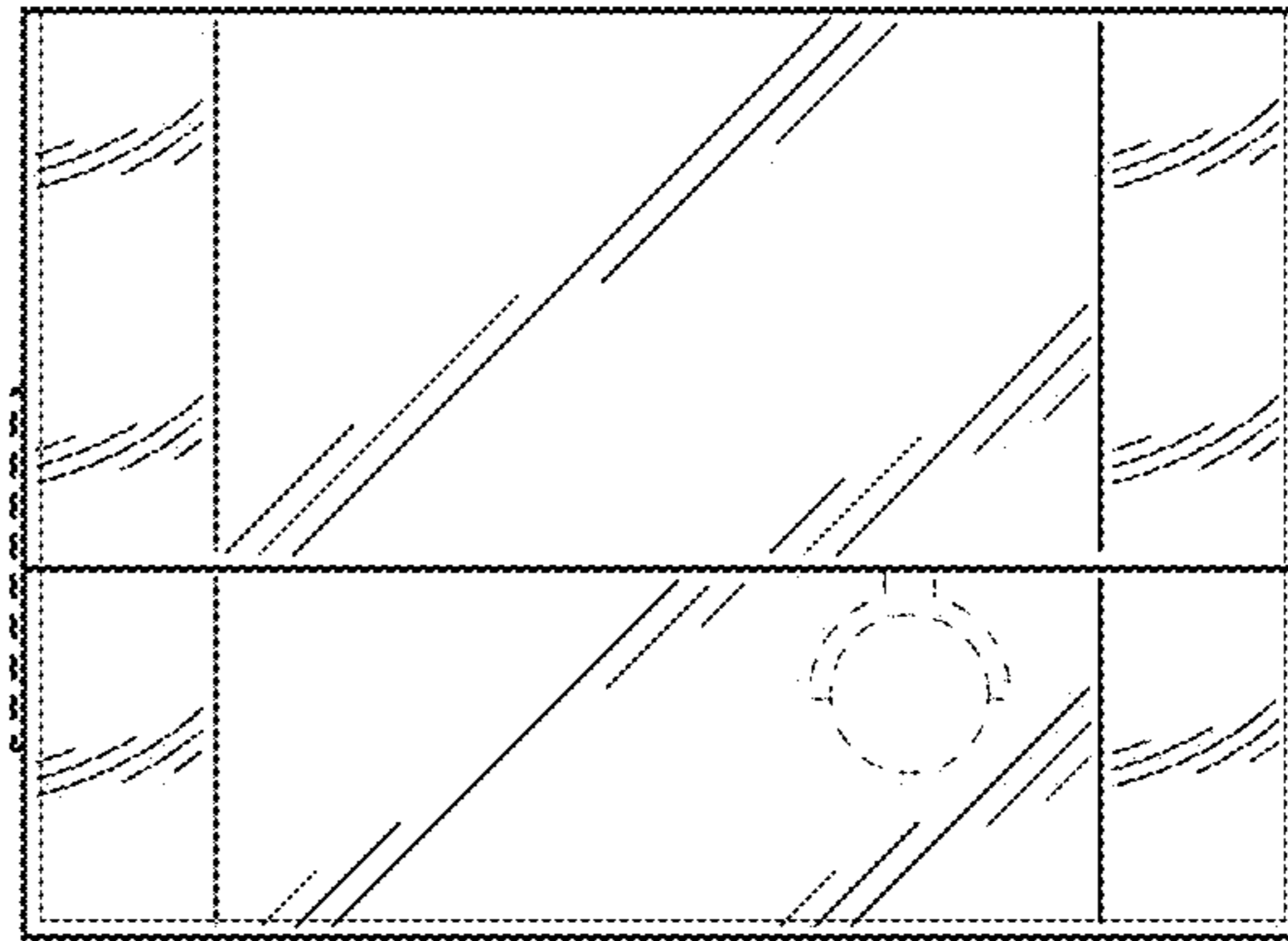


FIG. 15

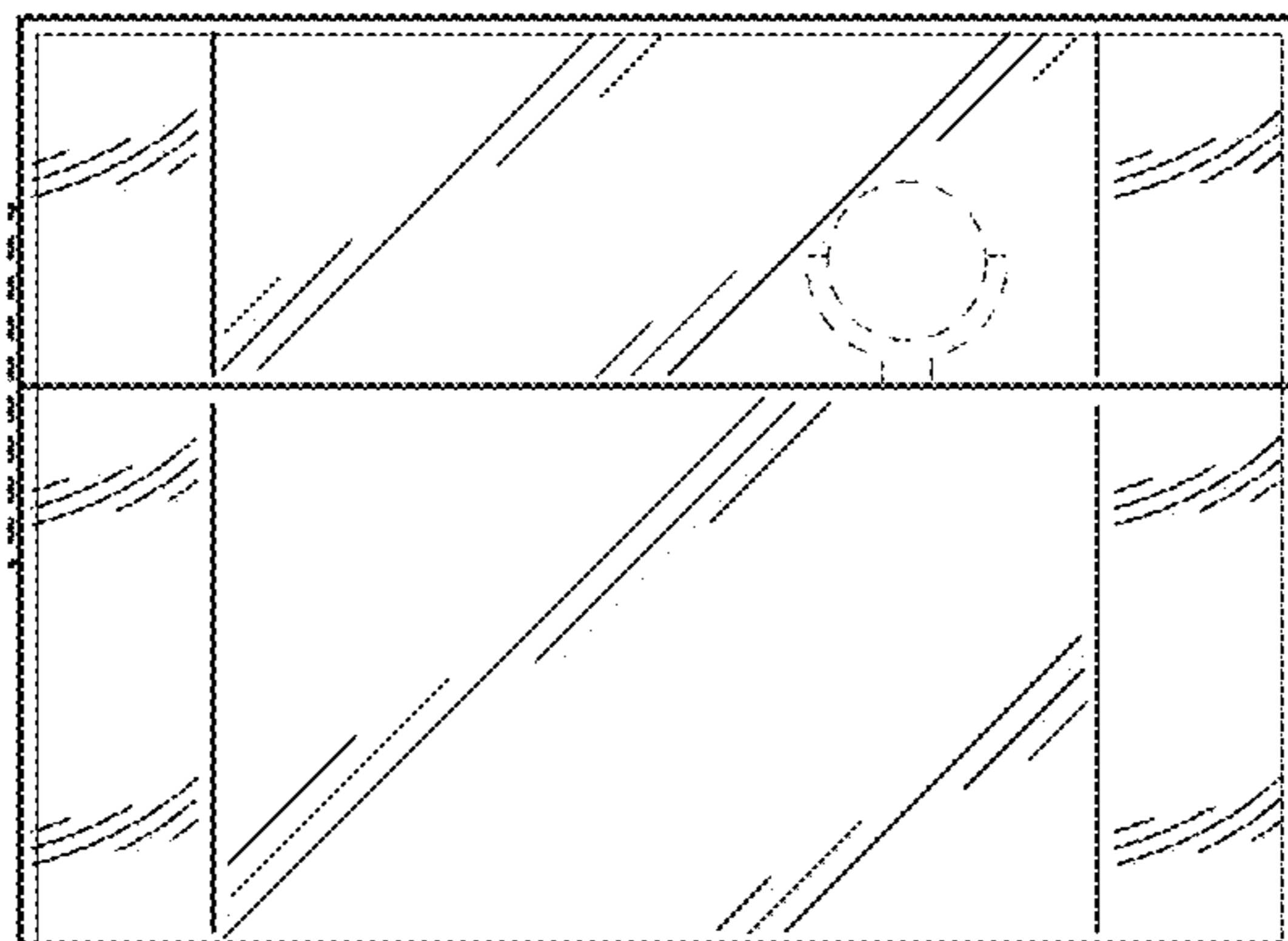


FIG. 16