



US00D709755S

(12) **United States Design Patent**
Hollingworth

(10) **Patent No.:** **US D709,755 S**

(45) **Date of Patent:** **** Jul. 29, 2014**

(54) **SHOCK CORD LOOP BODY**

(76) **Inventor:** **Stuart Hollingworth**, Currancy Creek
(AU)

(**) **Term:** **14 Years**

(21) **Appl. No.:** **29/410,800**

(22) **Filed:** **Jan. 12, 2012**

(30) **Foreign Application Priority Data**

Jul. 12, 2011 (AU) 13093/2011

(51) **LOC (10) Cl.** **08-08**

(52) **U.S. Cl.**
USPC **D8/383**

(58) **Field of Classification Search**
USPC D8/382, 383, 349, 356; D11/200;
24/115 R, 115 M, 136 R, 300, 265 AL

See application file for complete search history.

(56) **References Cited**

U.S. PATENT DOCUMENTS

5,003,672 A *	4/1991	Randall	24/300
5,365,641 A *	11/1994	Watanabe et al.	24/115 G
D375,831 S *	11/1996	Perry	D2/978
D433,649 S *	11/2000	Buettell	D11/200
D499,330 S *	12/2004	Peato	D8/383
7,219,398 B1 *	5/2007	Hunt et al.	24/115 R
D574,701 S *	8/2008	Clarke	D8/383
D635,452 S *	4/2011	Jones	D8/383
D679,175 S *	4/2013	Moreau et al.	D8/383

* cited by examiner

Primary Examiner — Sheryl Lane

(74) *Attorney, Agent, or Firm* — Sand & Sebolt

(57) **CLAIM**

The ornamental design for a shock cord loop body, as shown.

DESCRIPTION

FIG. 1 is a top view of a shock cord loop body in accordance with the present design;
FIG. 2 is a front view thereof;
FIG. 3 is a bottom view thereof;
FIG. 4 is a top perspective view thereof; and,
FIG. 5 is a bottom perspective view thereof.

1 Claim, 2 Drawing Sheets

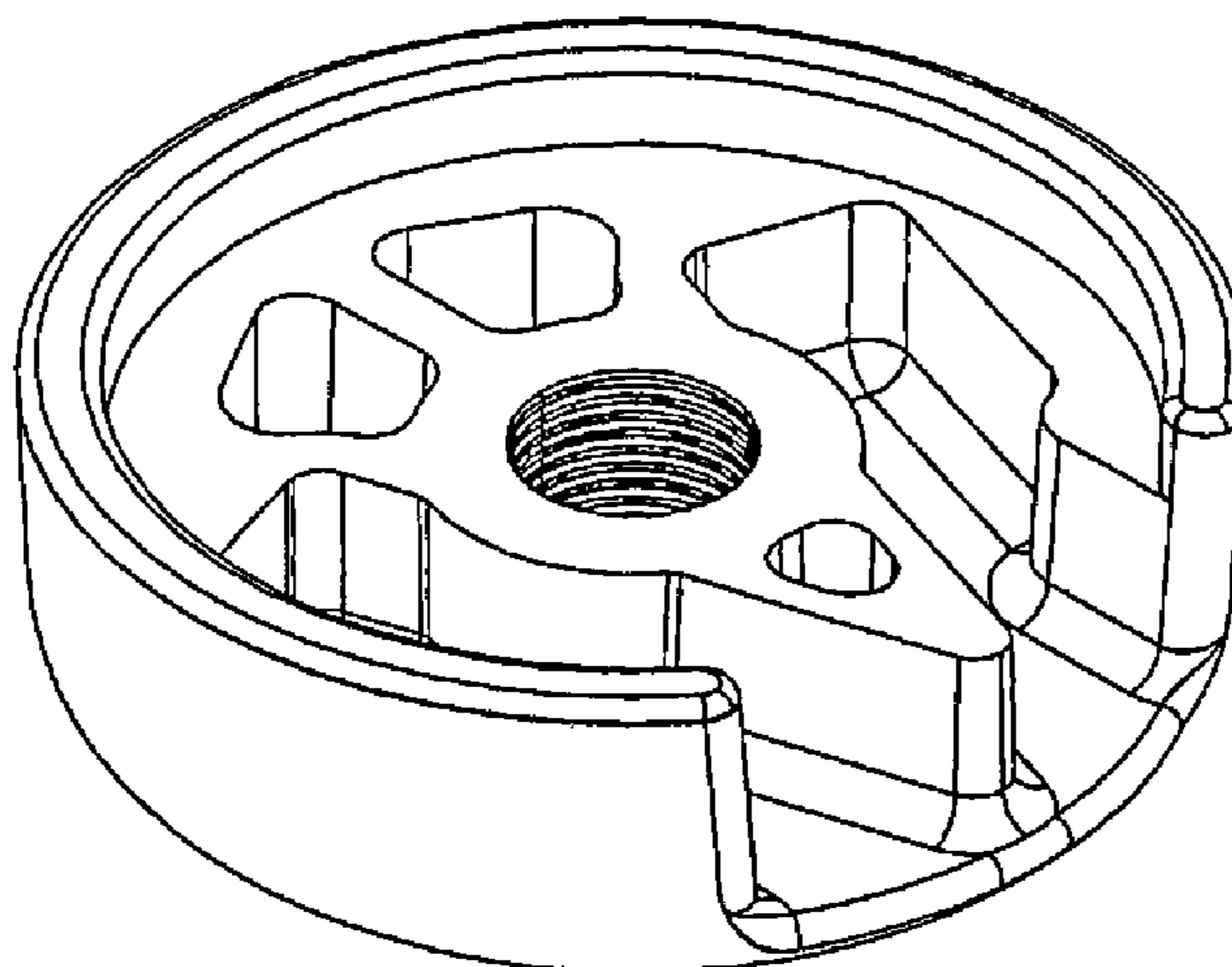


Fig. 1

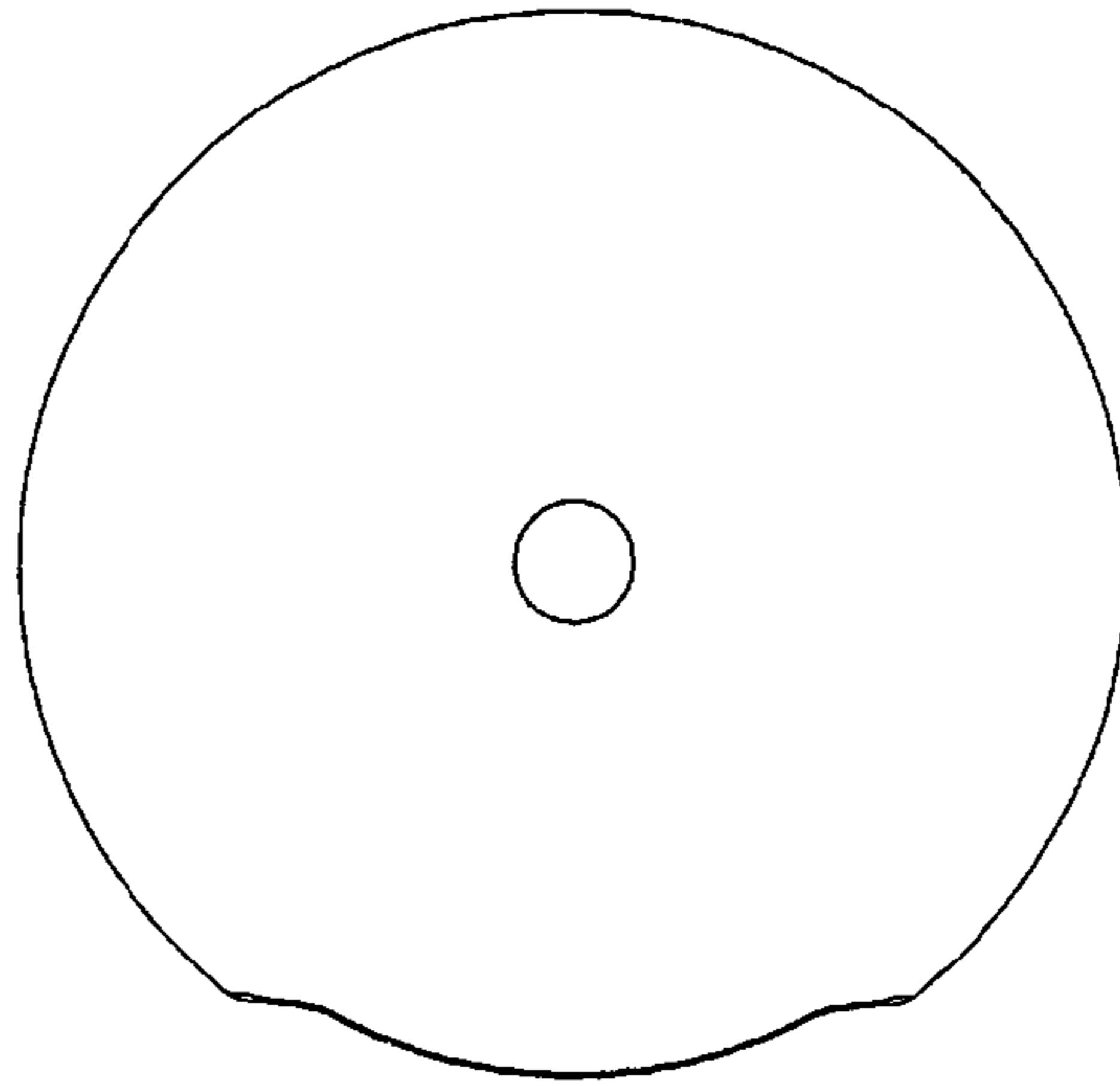


Fig. 2

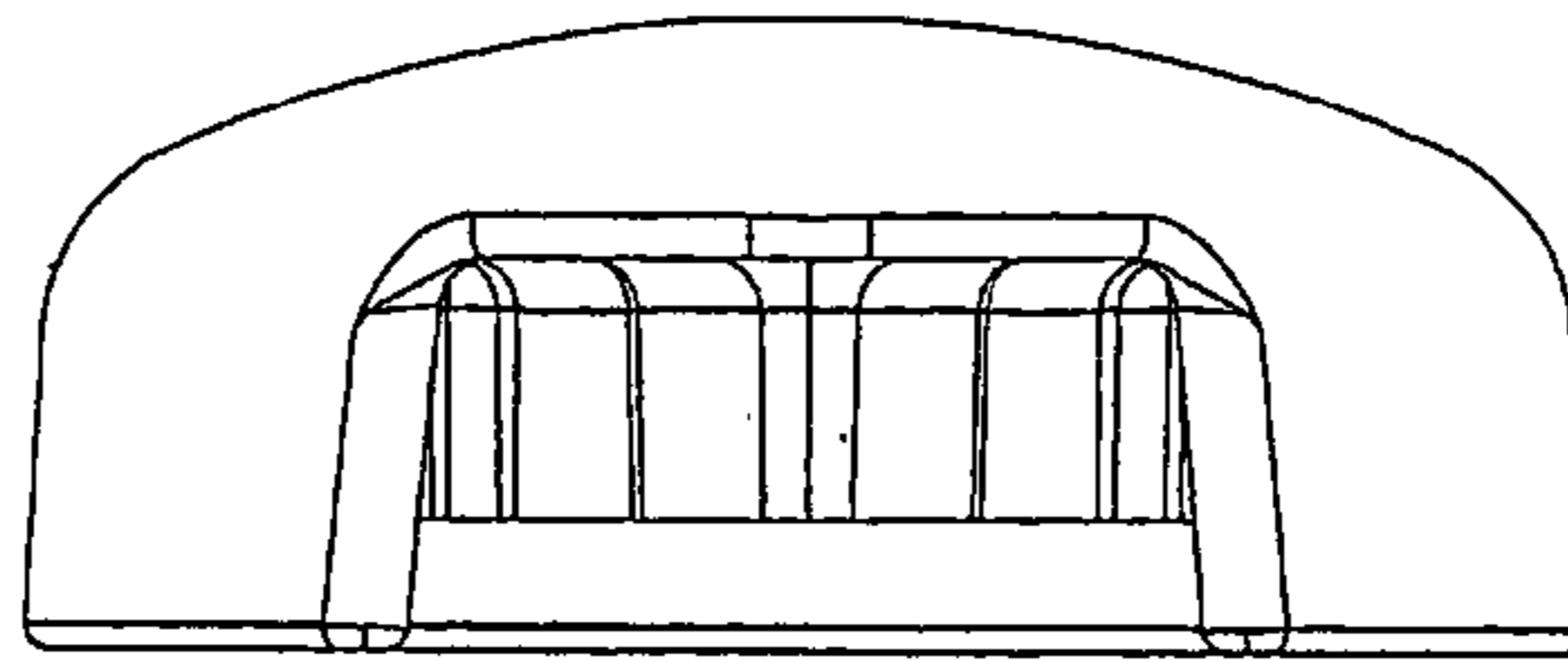


Fig. 3

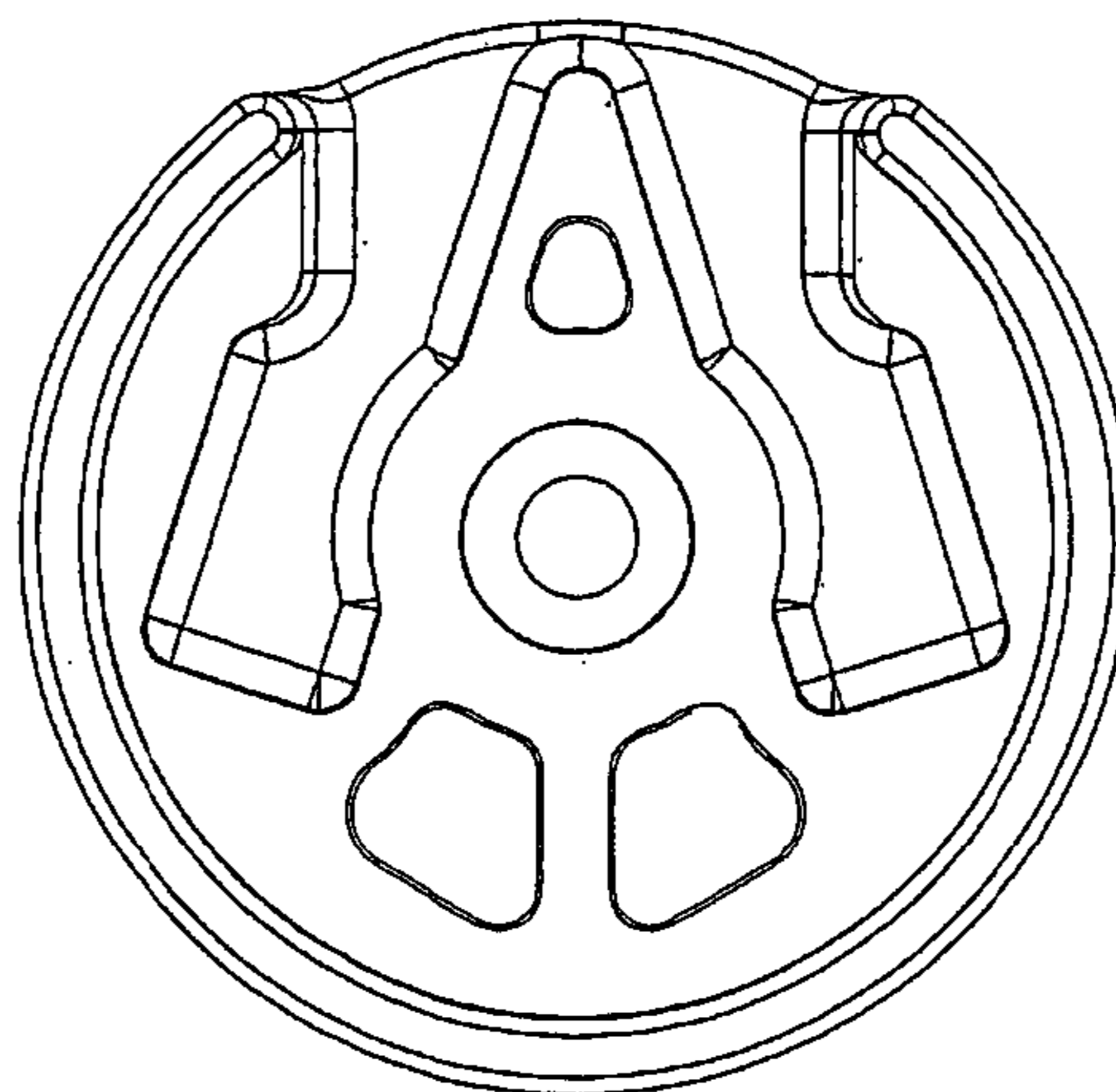


Fig. 4

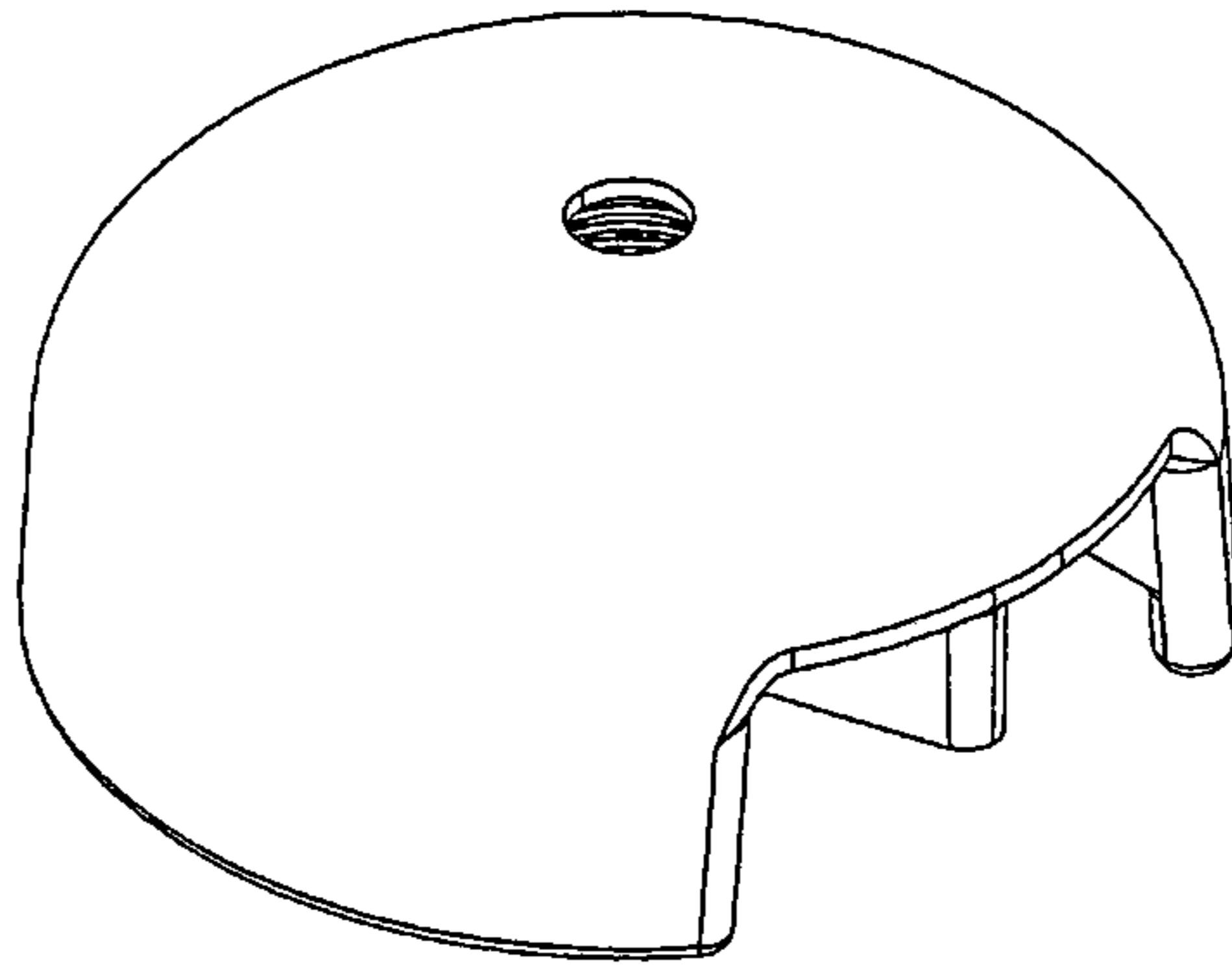


Fig. 5

