

US00D709754S

(12) **United States Design Patent**
Lylyk et al.

(10) **Patent No.:** **US D709,754 S**
(45) **Date of Patent:** **** Jul. 29, 2014**

(54) **DEADBOLT FOR DOOR PANEL**

(71) Applicant: **Tyto Life LLC**, Burlingame, CA (US)

(72) Inventors: **Nicolas Pedro Lylyk**, Palo Alto, CA (US); **John Hillerich Martin**, Atherton, CA (US)

(73) Assignee: **Tyto Life LLC**, Burlingame, CA (US)

(**) Term: **14 Years**

(21) Appl. No.: **29/450,031**

(22) Filed: **Mar. 15, 2013**

(51) **LOC (10) Cl.** **08-07**

(52) **U.S. Cl.**
USPC **D8/331**

(58) **Field of Classification Search**
USPC D8/330, 331, 333, 317, 335, 336, 337, D8/338, 341, 342, 348, 350, 352; 70/14, 70/20, 27, 32, 39, 41, 52-56, 86, 423, 57, 70/DIG. 38, DIG. 39

See application file for complete search history.

(56) **References Cited**

U.S. PATENT DOCUMENTS

D264,680 S * 6/1982 Widen D8/343
5,027,629 A * 7/1991 Liu 70/277
5,072,976 A * 12/1991 Meszaros 292/207

D369,288 S * 4/1996 Jensen D8/313
5,564,294 A * 10/1996 Chen 70/1
5,671,624 A * 9/1997 Sivils 70/408
D532,674 S * 11/2006 Schwalie et al. D8/331
D552,961 S * 10/2007 Roberts D8/331
D607,304 S * 1/2010 Stuckey D8/331
D630,929 S * 1/2011 Downey D8/331

* cited by examiner

Primary Examiner — Prabhakar Deshmukh

(74) *Attorney, Agent, or Firm* — Nelson Mullins Riley & Scarborough LLP; Anthony A. Laurentano

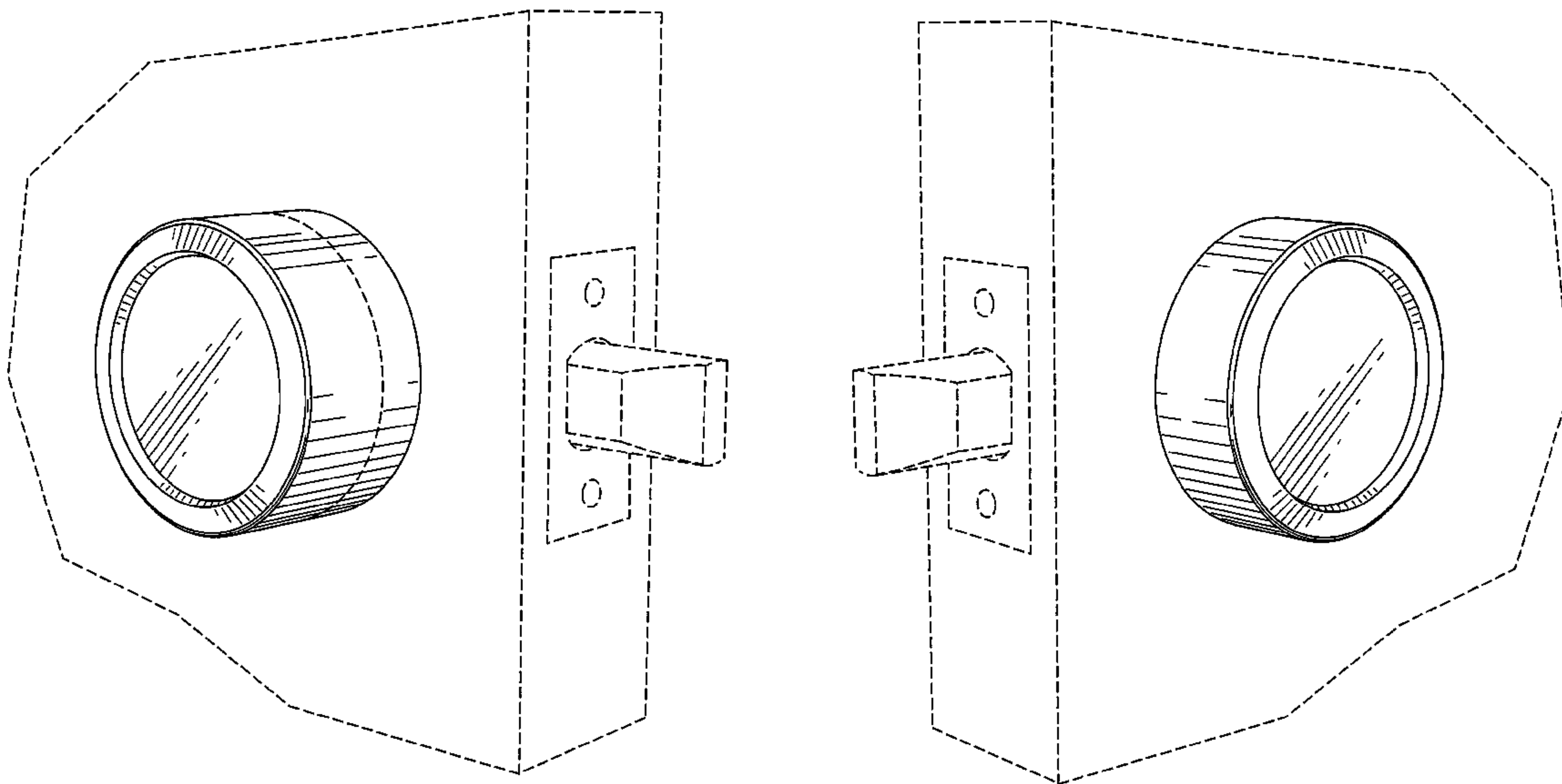
(57) **CLAIM**

The ornamental design for a deadbolt for a door panel, as shown and described.

DESCRIPTION

FIG. 1 is a front perspective view of an interior side of a deadbolt for a door panel showing our new design; FIG. 2 is a front perspective view of an exterior side of a deadbolt for a door panel thereof; FIG. 3 is a front elevation of FIG. 1; FIG. 4 is a side elevation of FIG. 1; FIG. 5 is a front elevation of FIG. 2; FIG. 6 is a side elevation of FIG. 2; and, FIG. 7 is a rear elevation of FIG. 1 as well as FIG. 2. The dash lines indicate unclaimed portions of the design and form no part of the claimed design. The dash lines also indicate environmental structure and form no part of the claimed design.

1 Claim, 5 Drawing Sheets



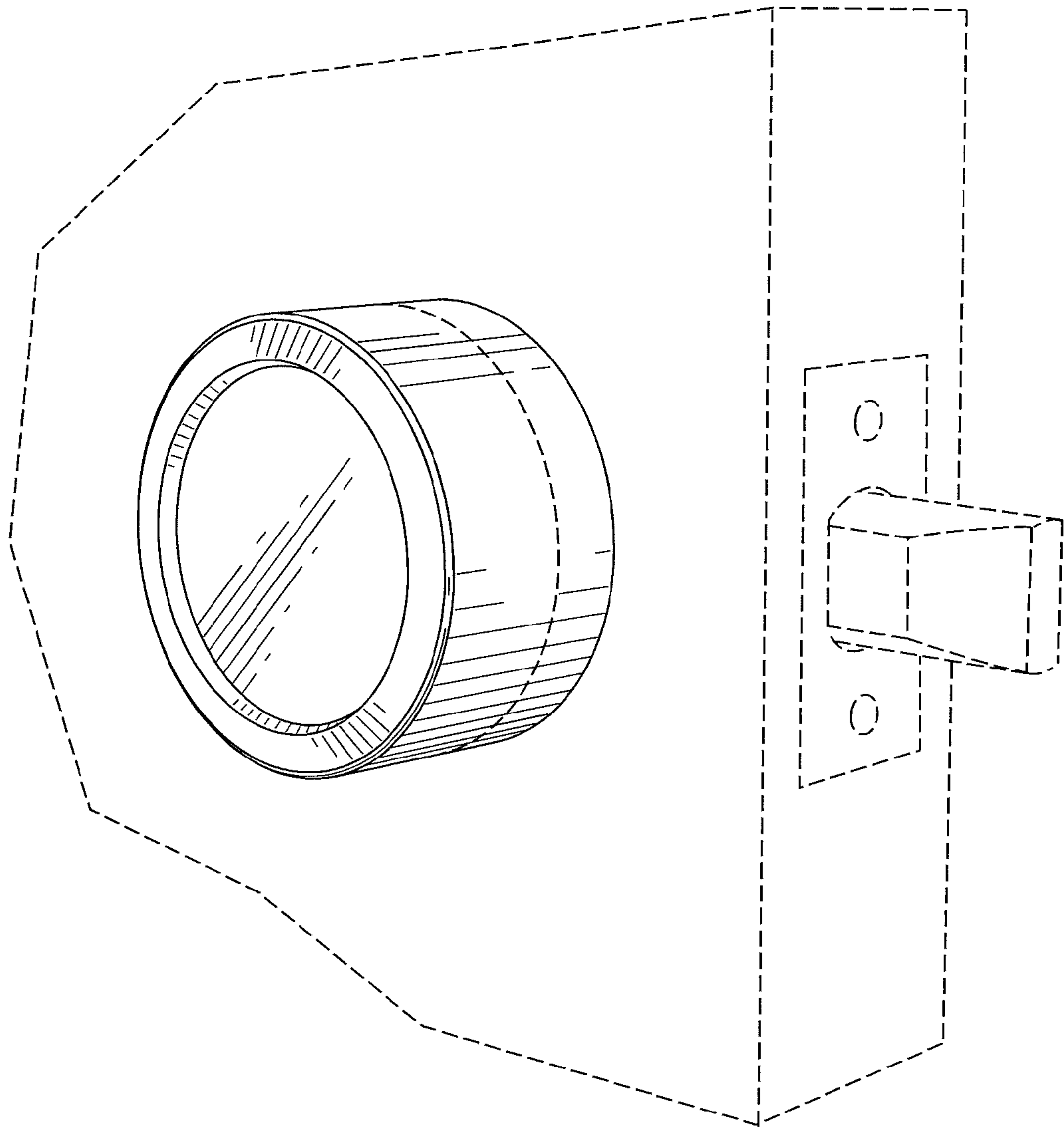


Fig. 1

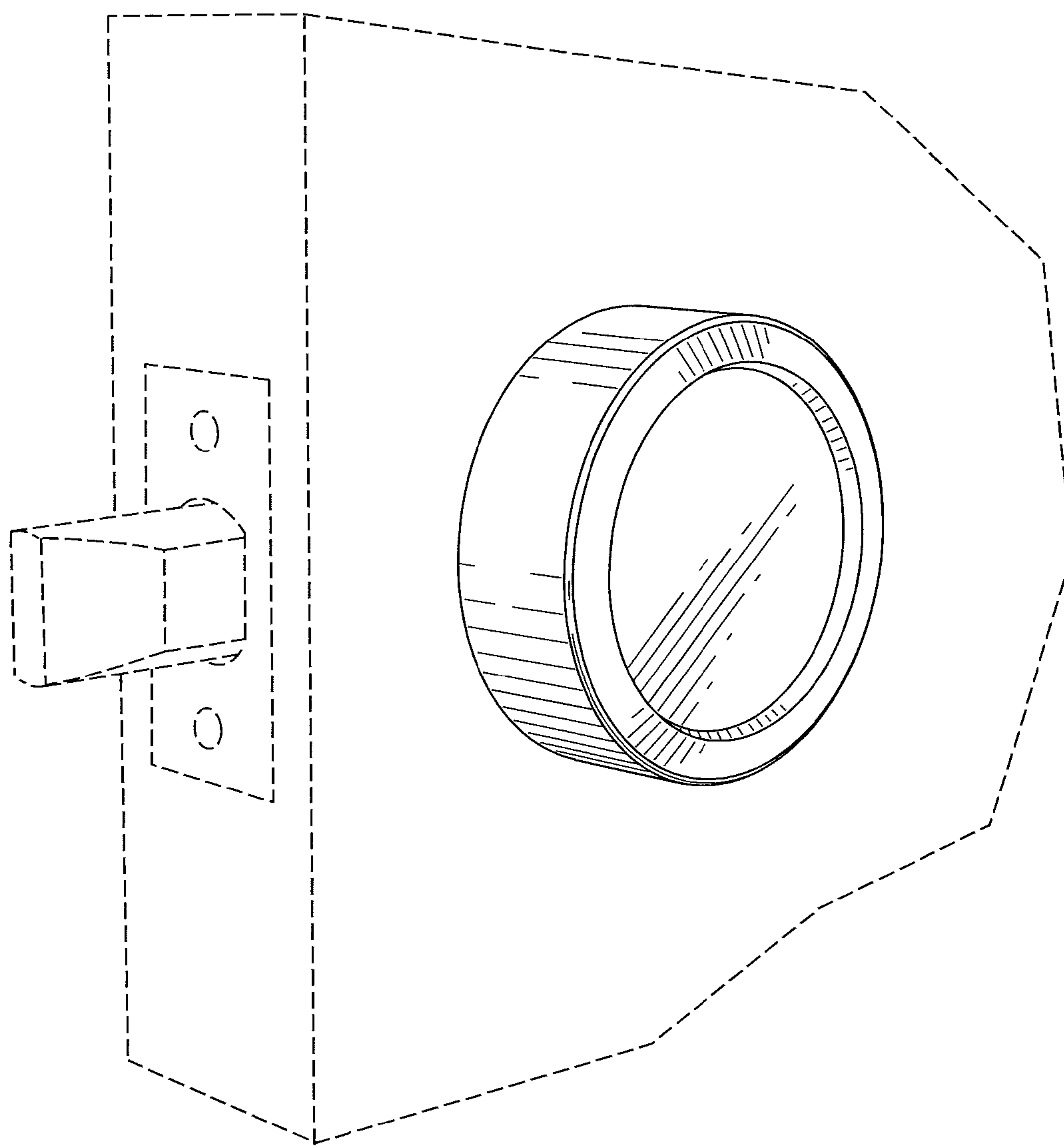


Fig. 2

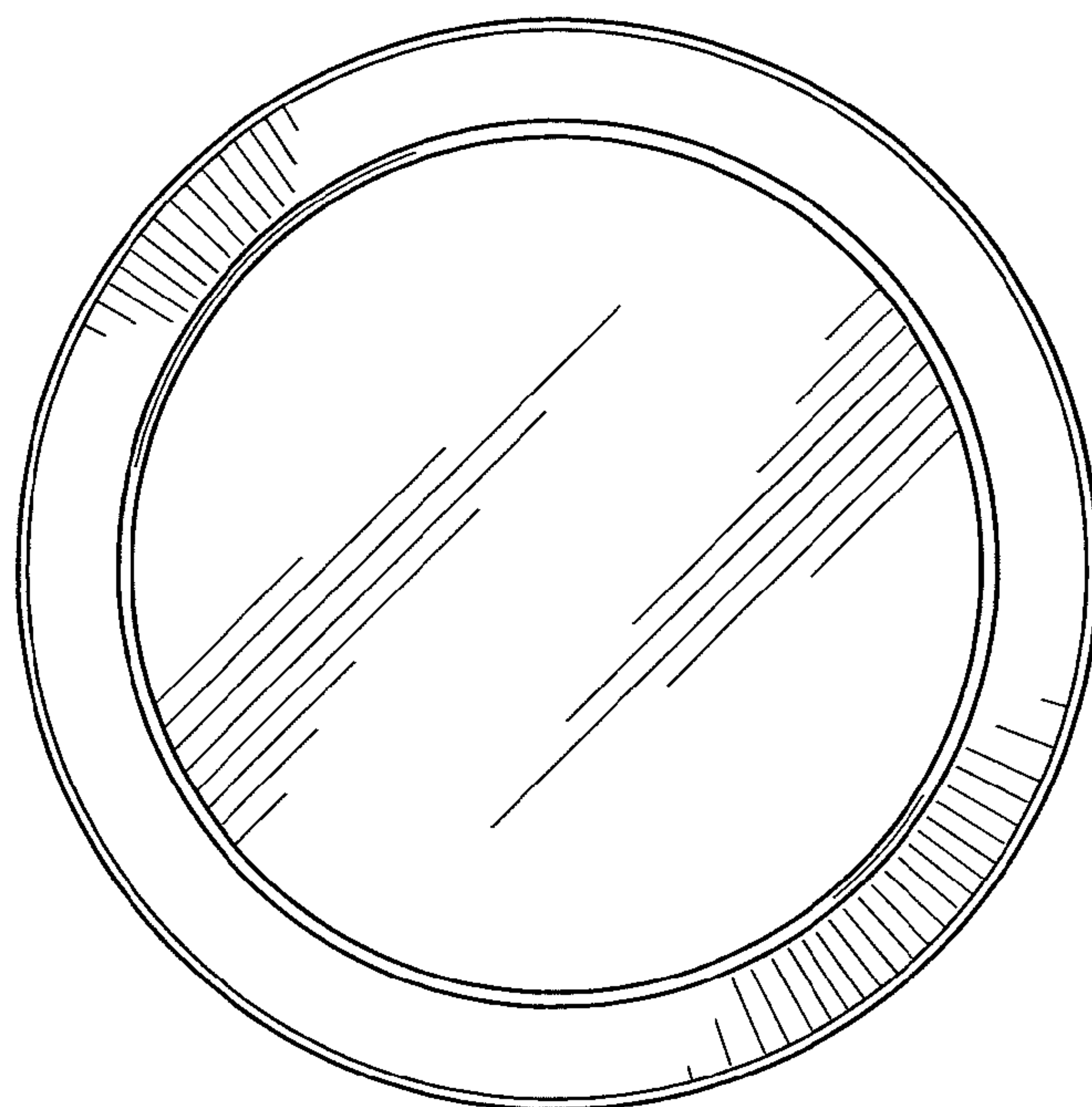


Fig. 3

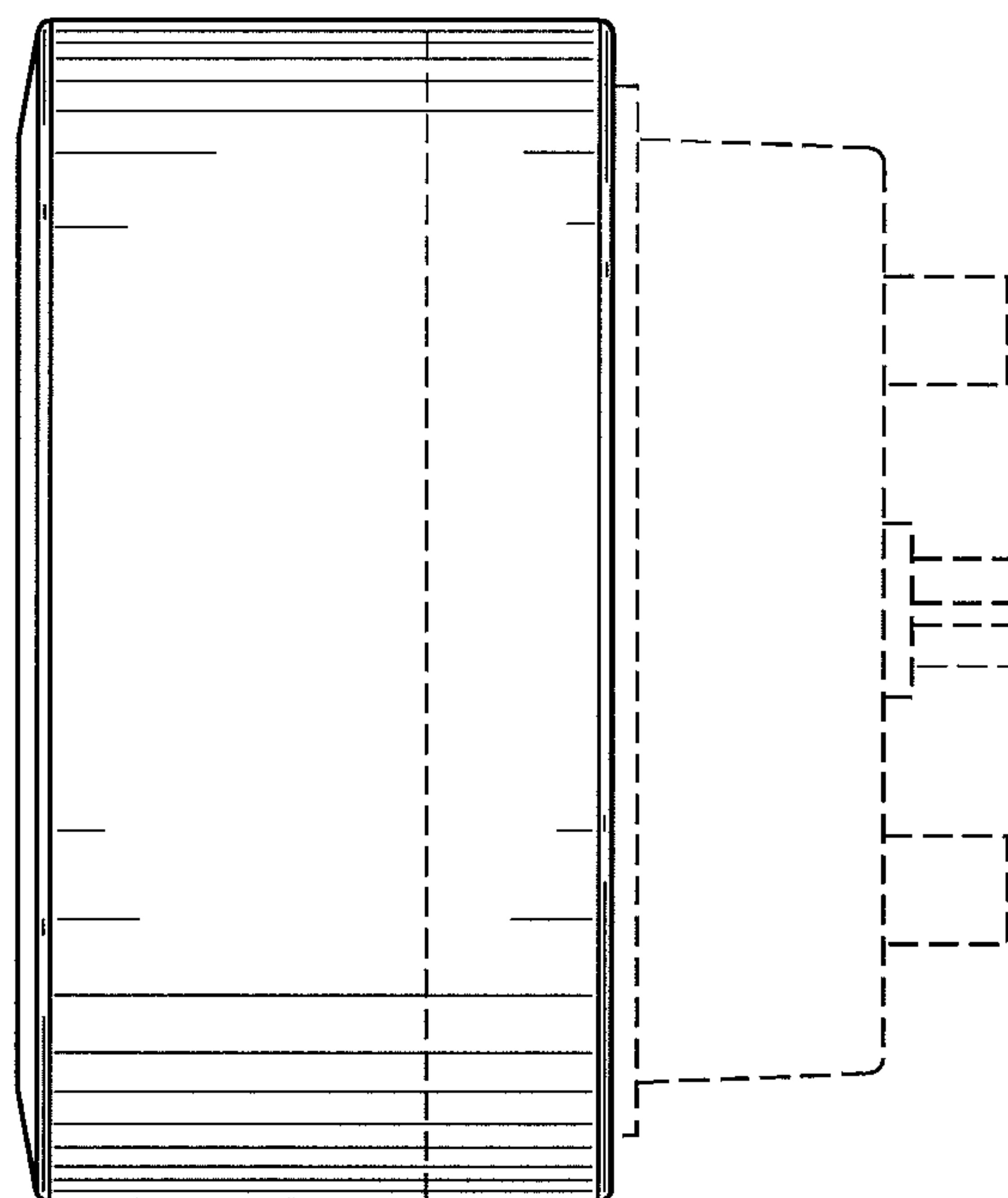


Fig. 4

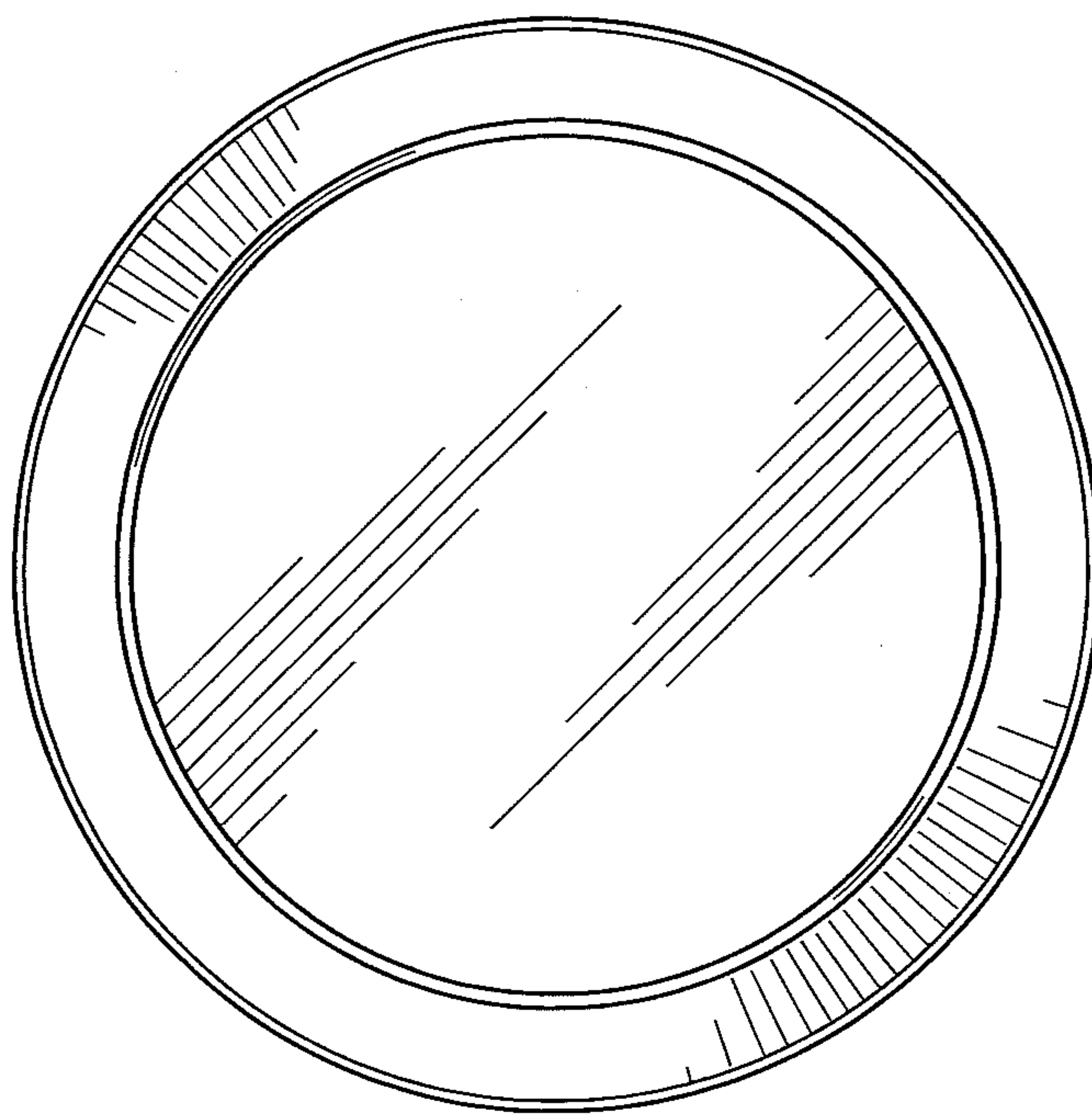


Fig. 5

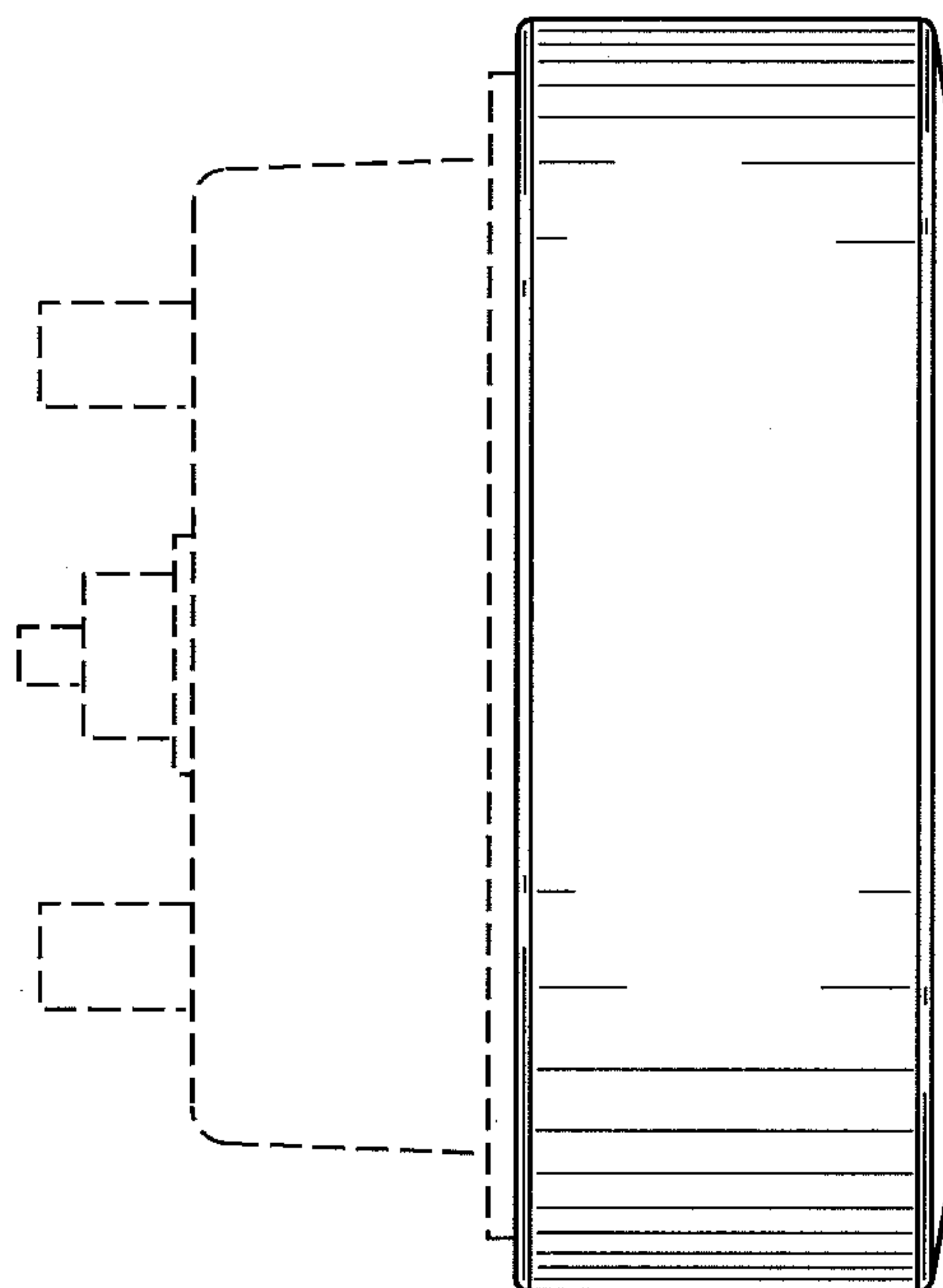


Fig. 6

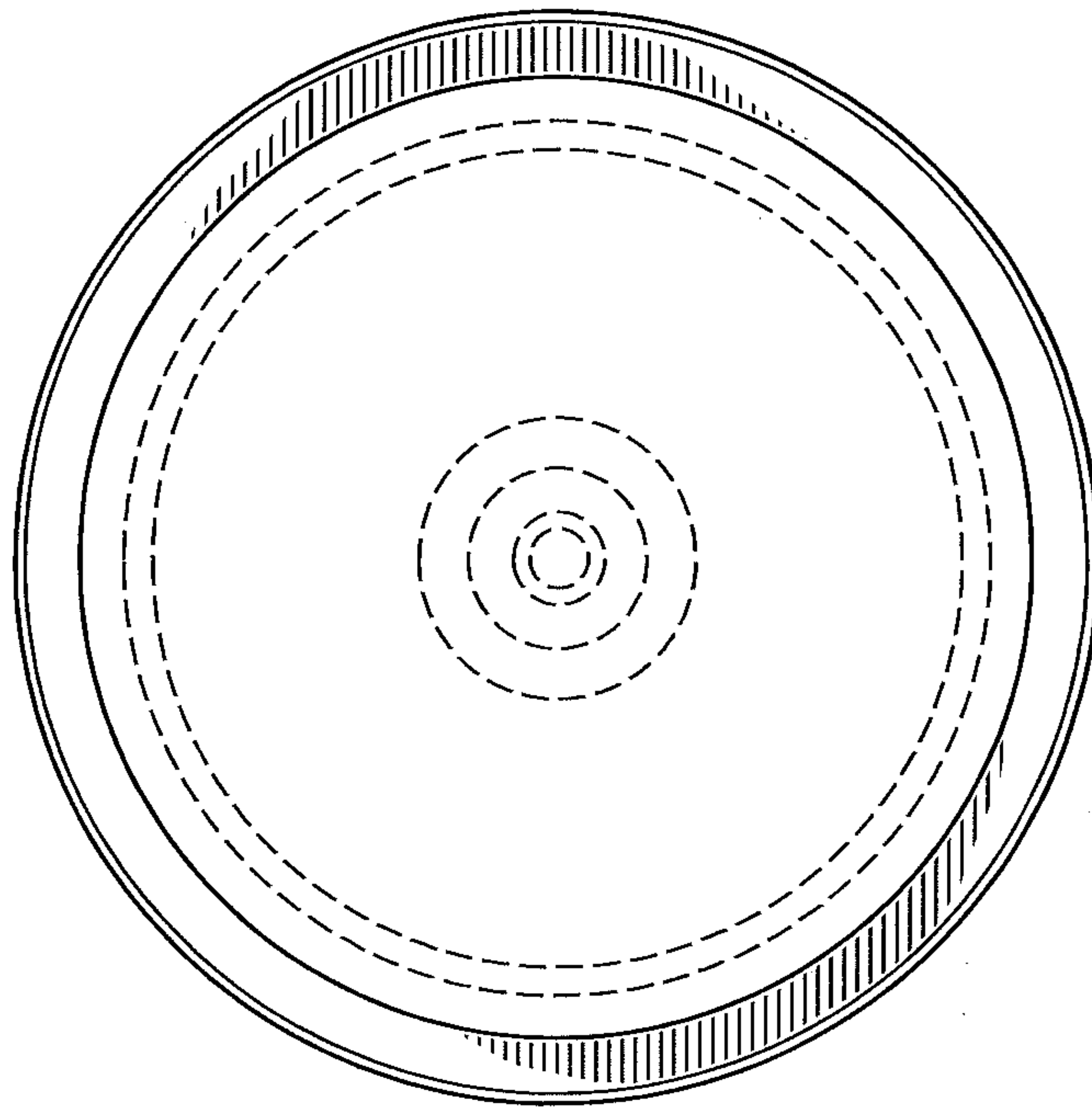


Fig. 7