



US00D709753S

(12) **United States Design Patent**
Guala

(10) **Patent No.:** **US D709,753 S**
(45) **Date of Patent:** **** Jul. 29, 2014**

(54) **LOCKING CANNULA**
(71) Applicant: **Industrie Borla S.p.A.**, Moncalieri (IT)
(72) Inventor: **Gianni Guala**, Turin (IT)
(73) Assignee: **Industrie Borla, S.p.A.**, Moncalieri
(Torino) (IT)
(**) Term: **14 Years**

4,441,586	A *	4/1984	Bernier	188/32
4,759,756	A *	7/1988	Forman et al.	604/413
4,946,455	A *	8/1990	Rosen	604/403
D321,251	S *	10/1991	Jepson et al.	D24/112
D321,256	S *	10/1991	Pullum	D25/48.1
5,053,015	A *	10/1991	Gross	604/167.02
D327,318	S *	6/1992	Dudar et al.	D24/112
6,139,492	A *	10/2000	Vierra et al.	600/204
D490,684	S *	6/2004	Settele	D8/339
6,780,191	B2 *	8/2004	Sproul	606/92
7,025,722	B2 *	4/2006	Vierra et al.	600/204

(21) Appl. No.: **29/455,696**
(22) Filed: **May 23, 2013**
(51) **LOC (10) Cl.** **08-07**
(52) **U.S. Cl.**
USPC **D8/330; D24/112**
(58) **Field of Classification Search**
USPC D8/330, 331, 336-342, 343-345, 354,
D8/349; 70/14, 51, 49, 230, 253, 317, 322,
70/333 R, 319, 431, 444, 465, 466,
70/DIG. 81; 292/8, 14, 24, 25, 246, 254,
292/256, 258, 288, 360, 340; D24/112,
D24/130, 133; 604/280, 283, 244, 403, 406,
604/413, 905
See application file for complete search history.

* cited by examiner

Primary Examiner — Prabhakar Deshmukh
(74) *Attorney, Agent, or Firm* — Heslin Rothenberg Farley
& Mesiti P.C.; Victor A. Cardona

(56) **References Cited**

U.S. PATENT DOCUMENTS

D204,670	S *	5/1966	Gilson	D24/129
4,296,949	A *	10/1981	Muetterties et al.	285/18

(57) **CLAIM**

The ornamental design for the locking cannula, as shown and described.

DESCRIPTION

FIG. 1 is a perspective view of a locking cannula showing my new design;
FIG. 2 is a top plan view thereof, which is a mirror image of the bottom plan view thereof;
FIG. 3 is a right side view, which is a mirror image of the left side view thereof;
FIG. 4 is a front end view thereof; and,
FIG. 5 is a rear end view thereof.

1 Claim, 2 Drawing Sheets

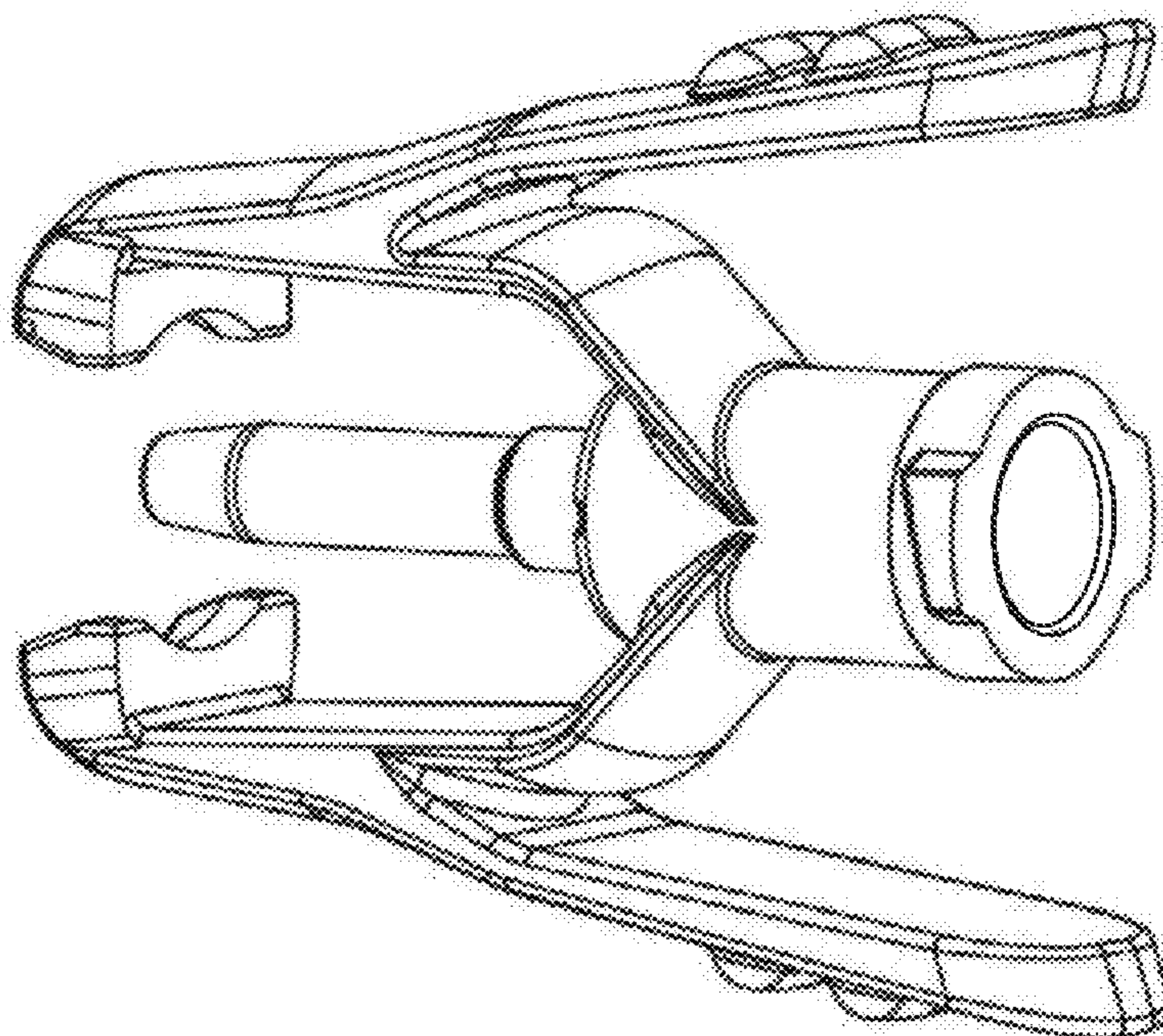


FIG. 2

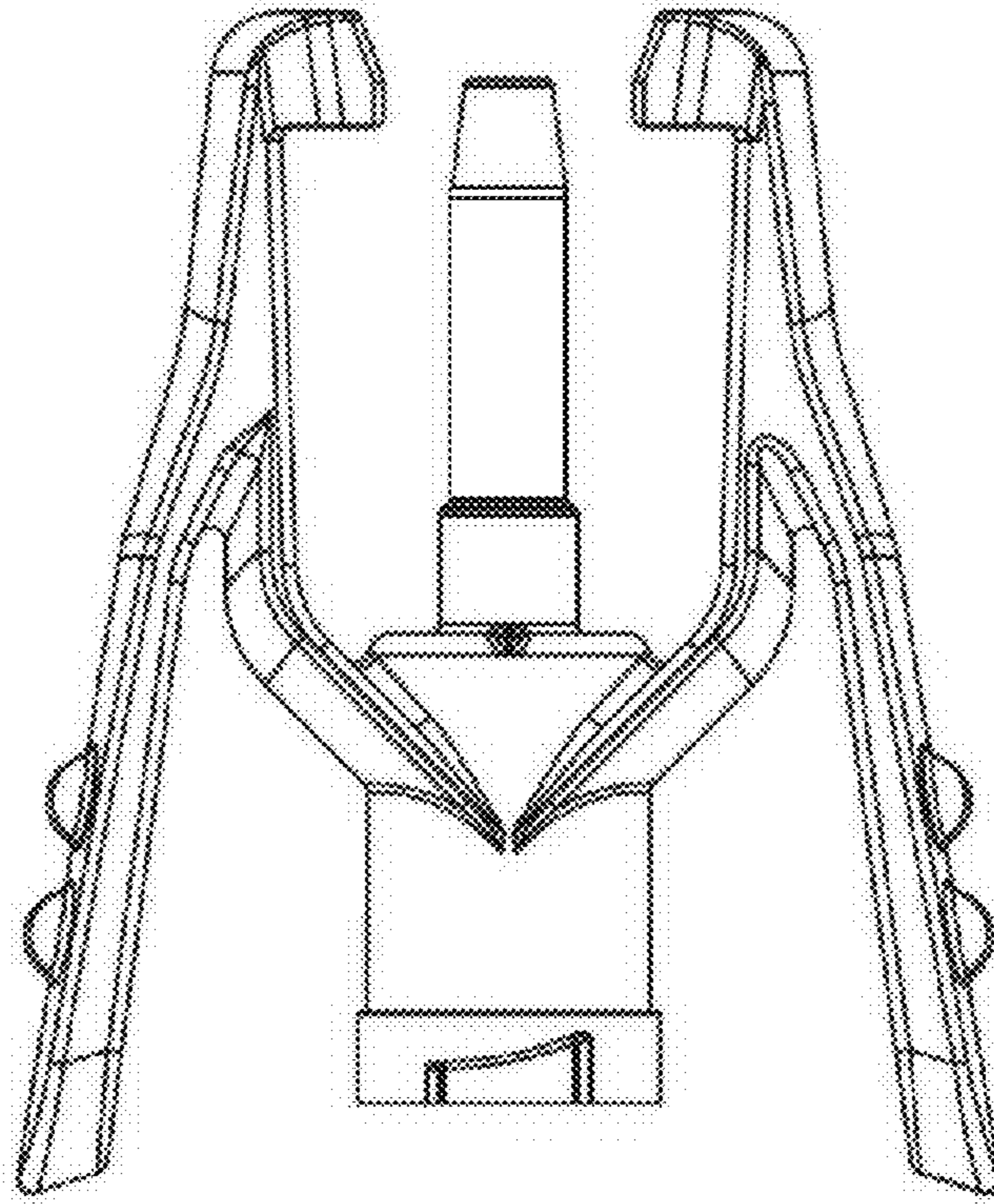


FIG. 1

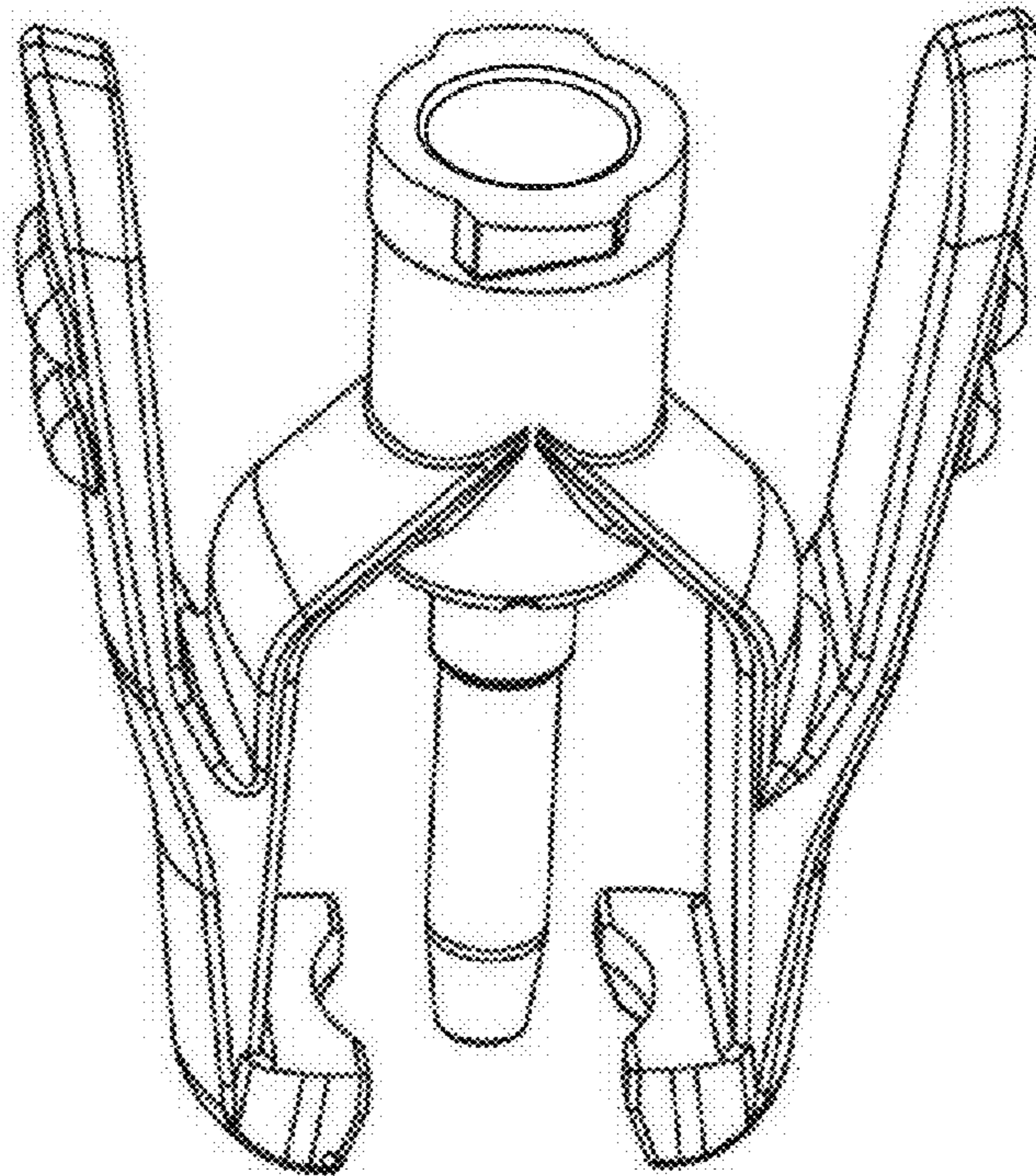


FIG. 3

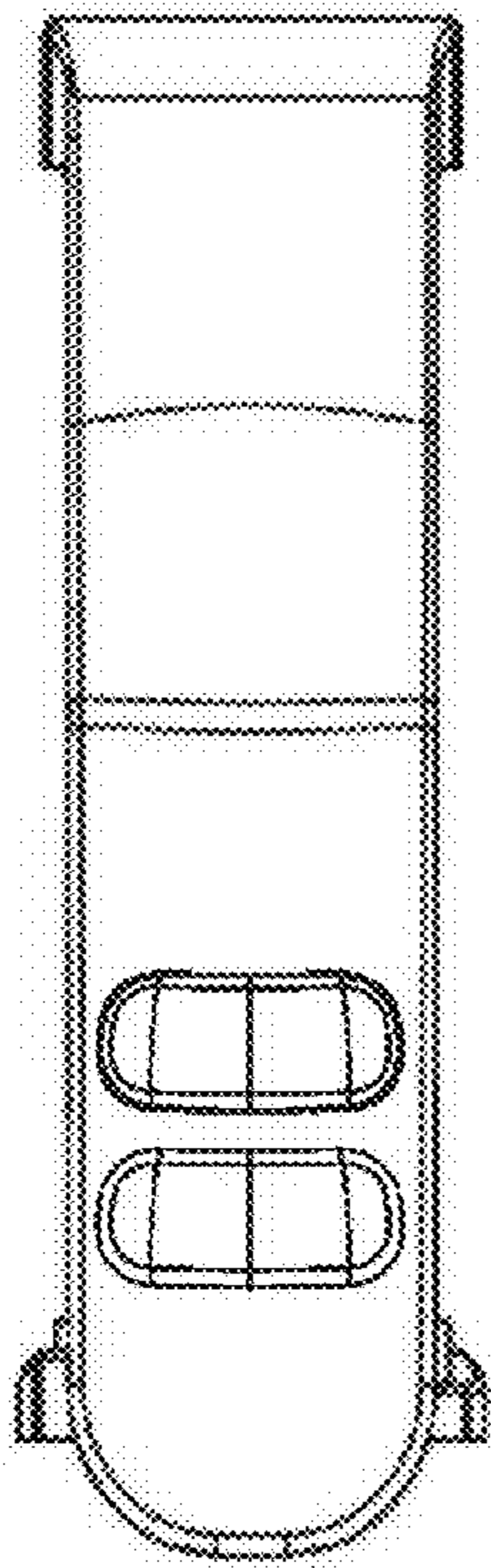


FIG. 5

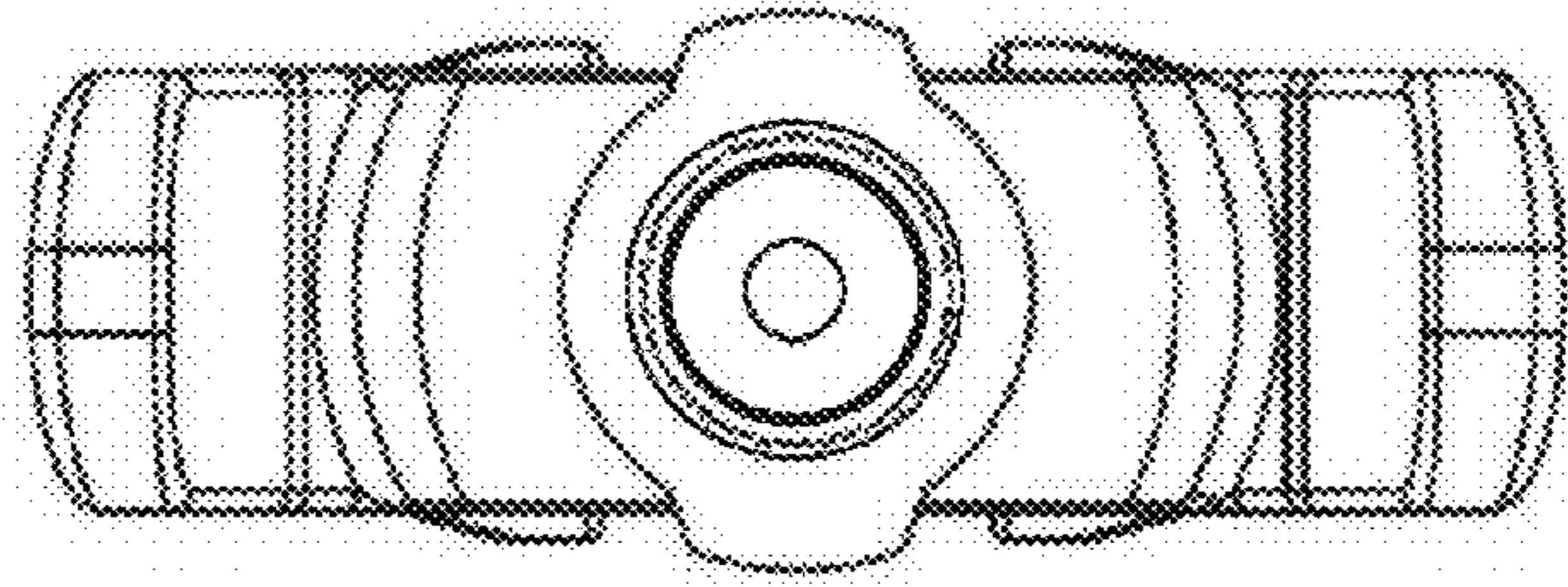


FIG. 4

