



US00D709752S

(12) **United States Design Patent**
Sun

(10) **Patent No.:** **US D709,752 S**
(45) **Date of Patent:** **** Jul. 29, 2014**

- (54) **TOOL RACK**
- (71) Applicant: **Shanghai Easy-use Tools Enterprise Co., Ltd.**, Shanghai (CN)
- (72) Inventor: **Shiyu Sun**, Shanghai (CN)
- (73) Assignee: **Shanghai Easy-use Tools Enterprise Co., Ltd.**, Shanghai (CN)
- (**) Term: **14 Years**
- (21) Appl. No.: **29/472,219**
- (22) Filed: **Nov. 11, 2013**
- (51) **LOC (10) Cl.** **08-05**
- (52) **U.S. Cl.**
USPC **D8/105; D8/21**
- (58) **Field of Classification Search**
USPC D8/14, 16, 18, 19, 20, 22–29, 33, 34, D8/38–43, 51, 52, 55, 57, 75, 81–87, 98, D8/104–106, 354, 356, 358, 360.1; 7/151–166; 30/151, 359, 366; D3/24, D3/25, 207–208, 210, 228; D10/62; 362/119; 206/38, 232, 234; 81/437, 81/440
See application file for complete search history.

6,601,481	B2 *	8/2003	Chuang	81/440
D479,963	S *	9/2003	Chang	D8/21
D515,391	S *	2/2006	Hawkins	D8/105
7,020,923	B1 *	4/2006	Jangula	7/166
7,481,137	B1 *	1/2009	Johnson	81/440
D622,125	S *	8/2010	Robinson	D8/105
D677,552	S *	3/2013	Johnson et al.	D8/105
8,490,523	B2 *	7/2013	Tsai et al.	81/440
2011/0000025	A1 *	1/2011	Johnson et al.	7/118
2014/0041128	A1 *	2/2014	Wang	7/118

* cited by examiner

Primary Examiner — Susan Bennett Hattan
Assistant Examiner — Janice Hallmark
(74) *Attorney, Agent, or Firm* — CBM Patent Consulting, LLC

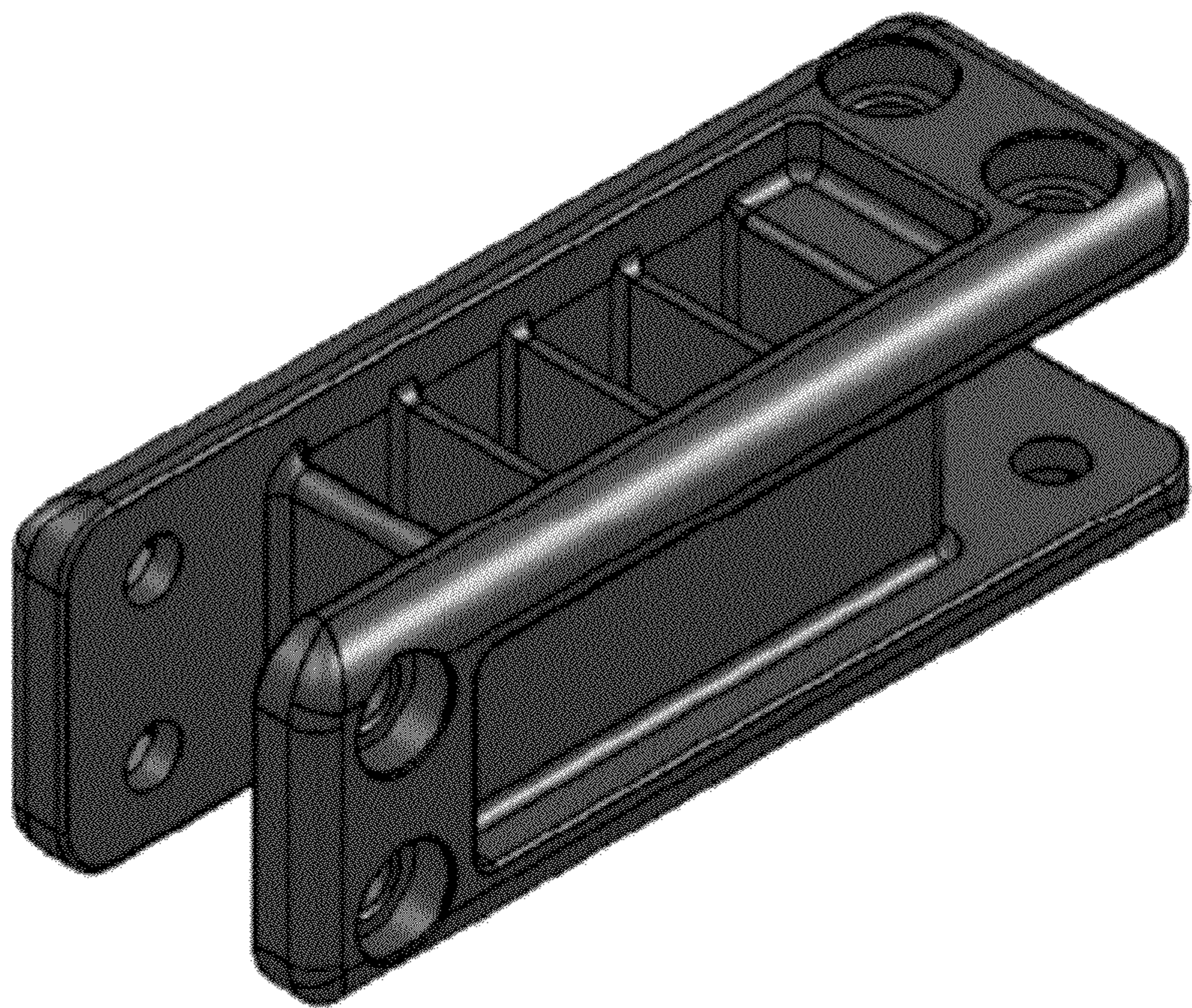
(57) **CLAIM**
The ornamental design for a tool rack, as shown and described.

DESCRIPTION

FIG. 1 is a front view of a tool rack showing my new design; FIG. 2 is a rear view thereof; FIG. 3 is a left side elevation view thereof; FIG. 4 is a right side elevation view thereof; FIG. 5 is a top plan view thereof; FIG. 6 is a bottom plan view thereof; and, FIG. 7 is a perspective view thereof.

1 Claim, 6 Drawing Sheets

- (56) **References Cited**
U.S. PATENT DOCUMENTS
D427,875 S * 7/2000 Chiu D8/105
D450,229 S * 11/2001 Lin D8/107



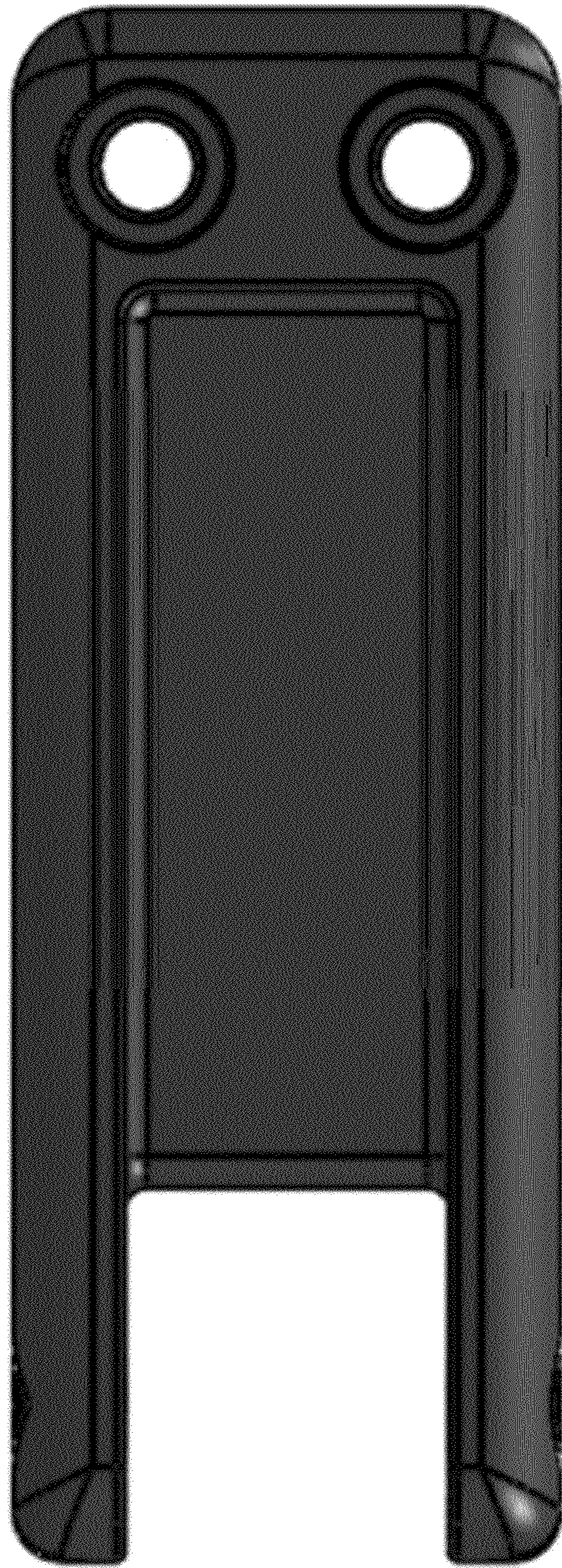


FIG. 1

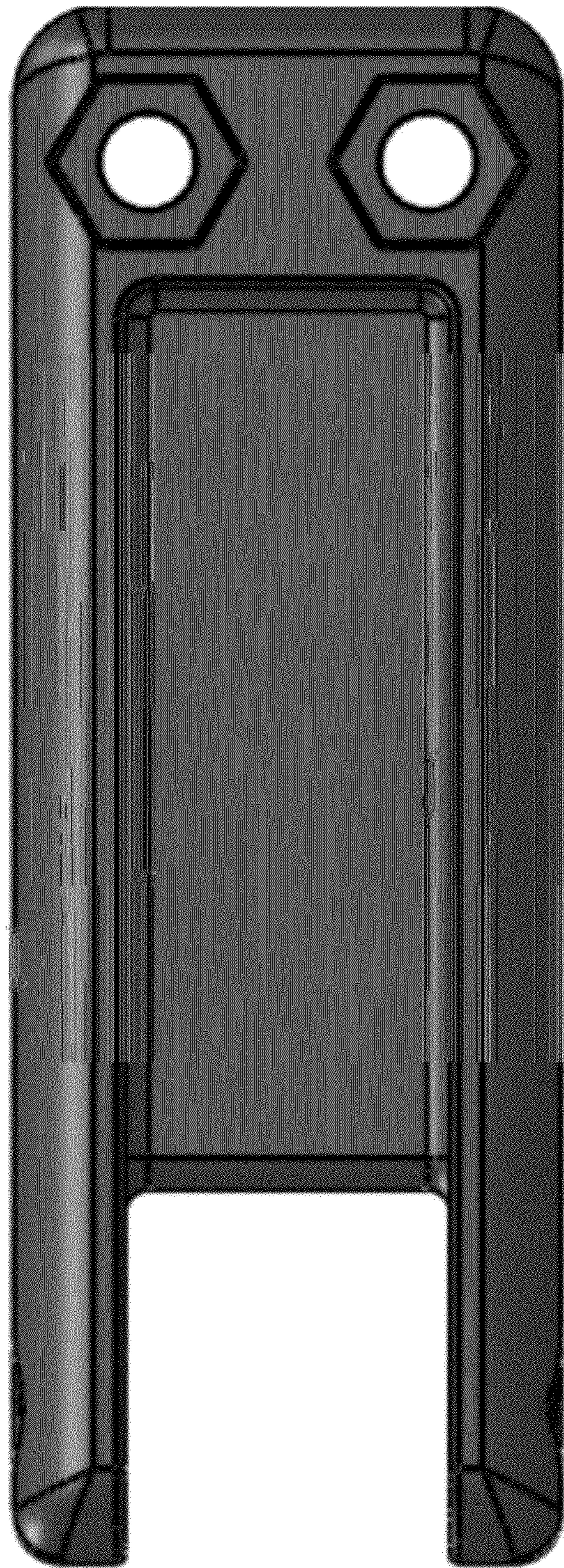


FIG. 2

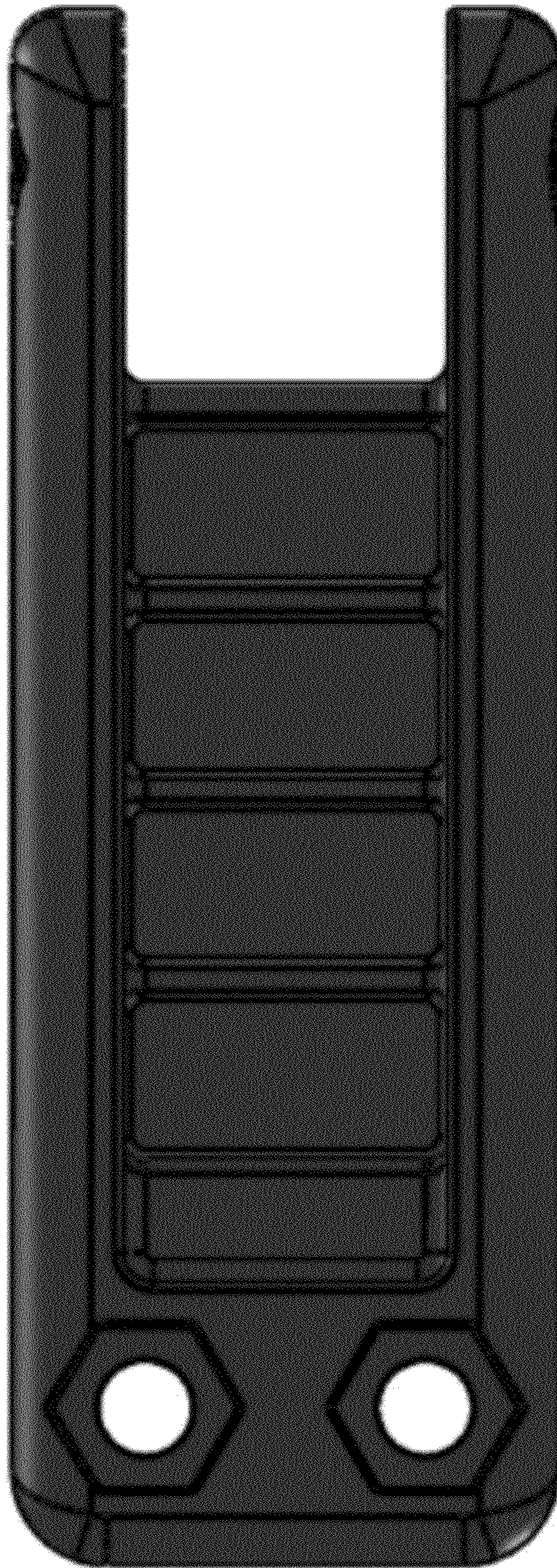


FIG. 3

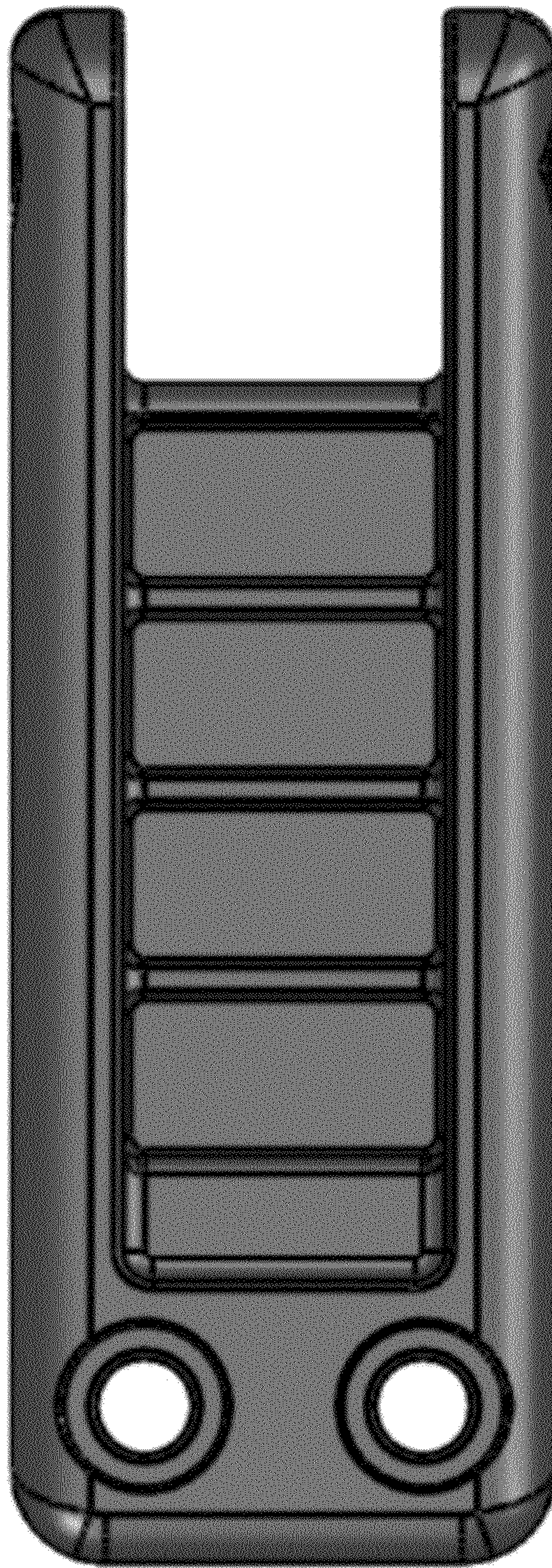


FIG. 4

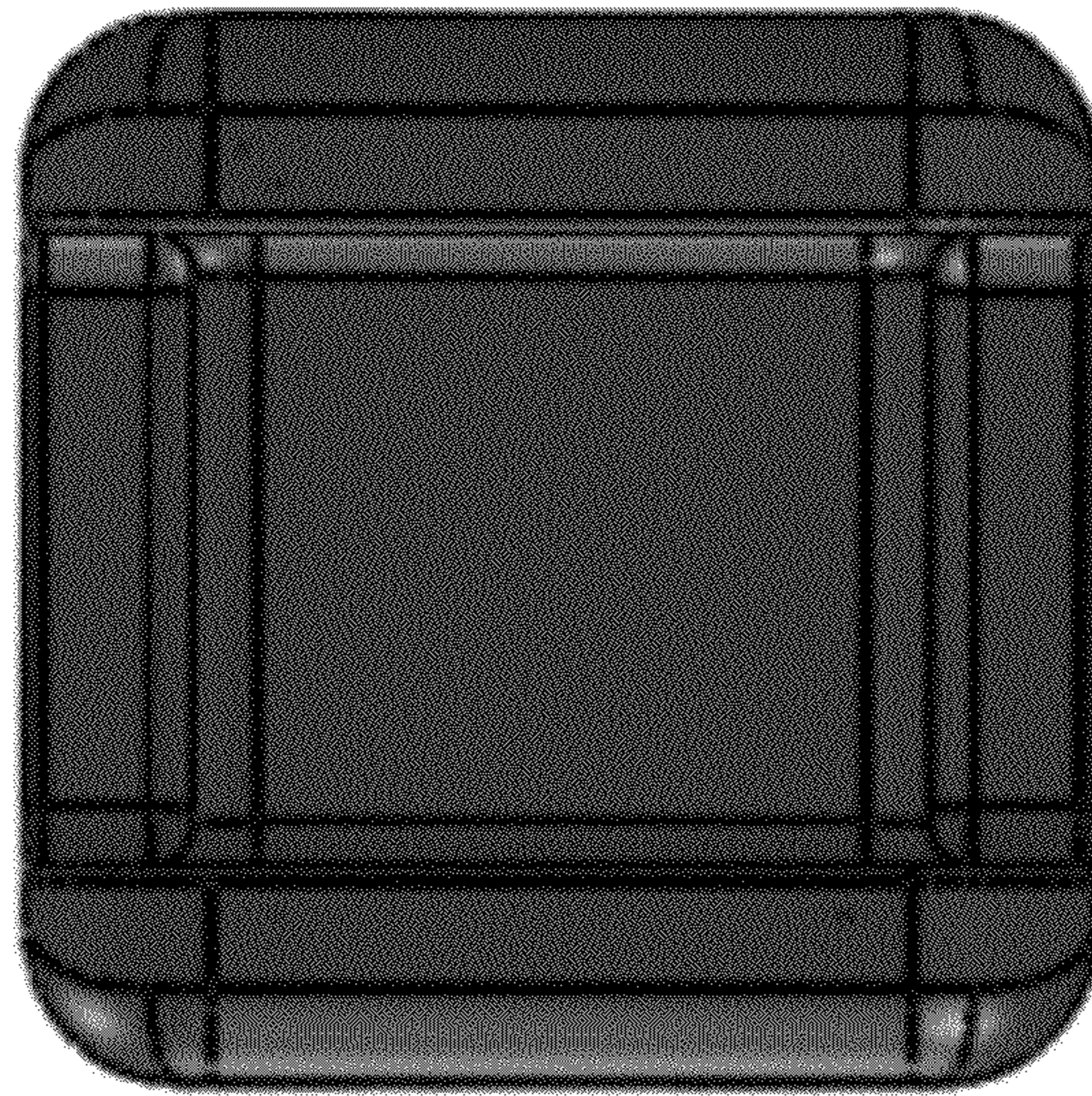


FIG. 5

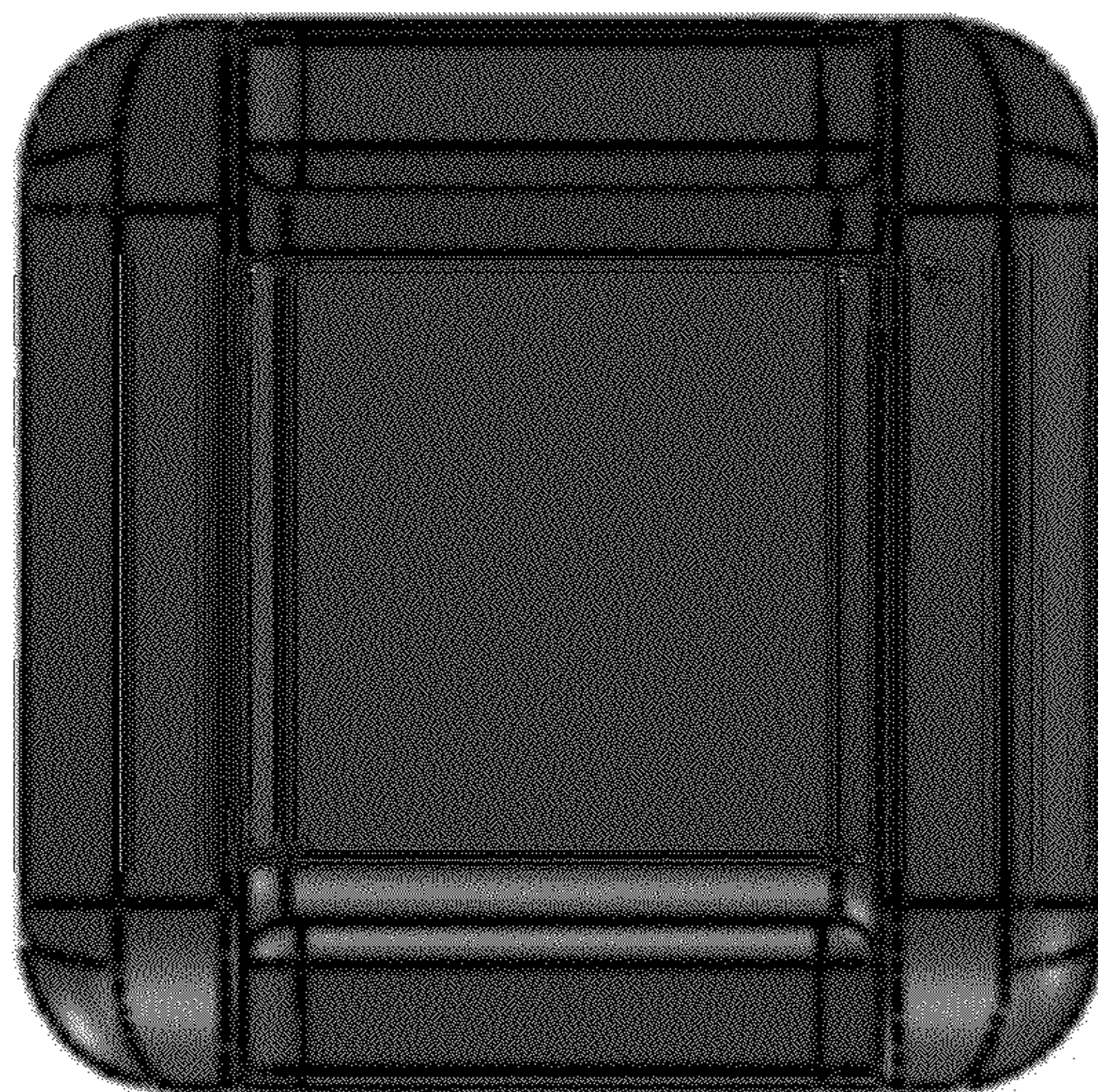


FIG. 6

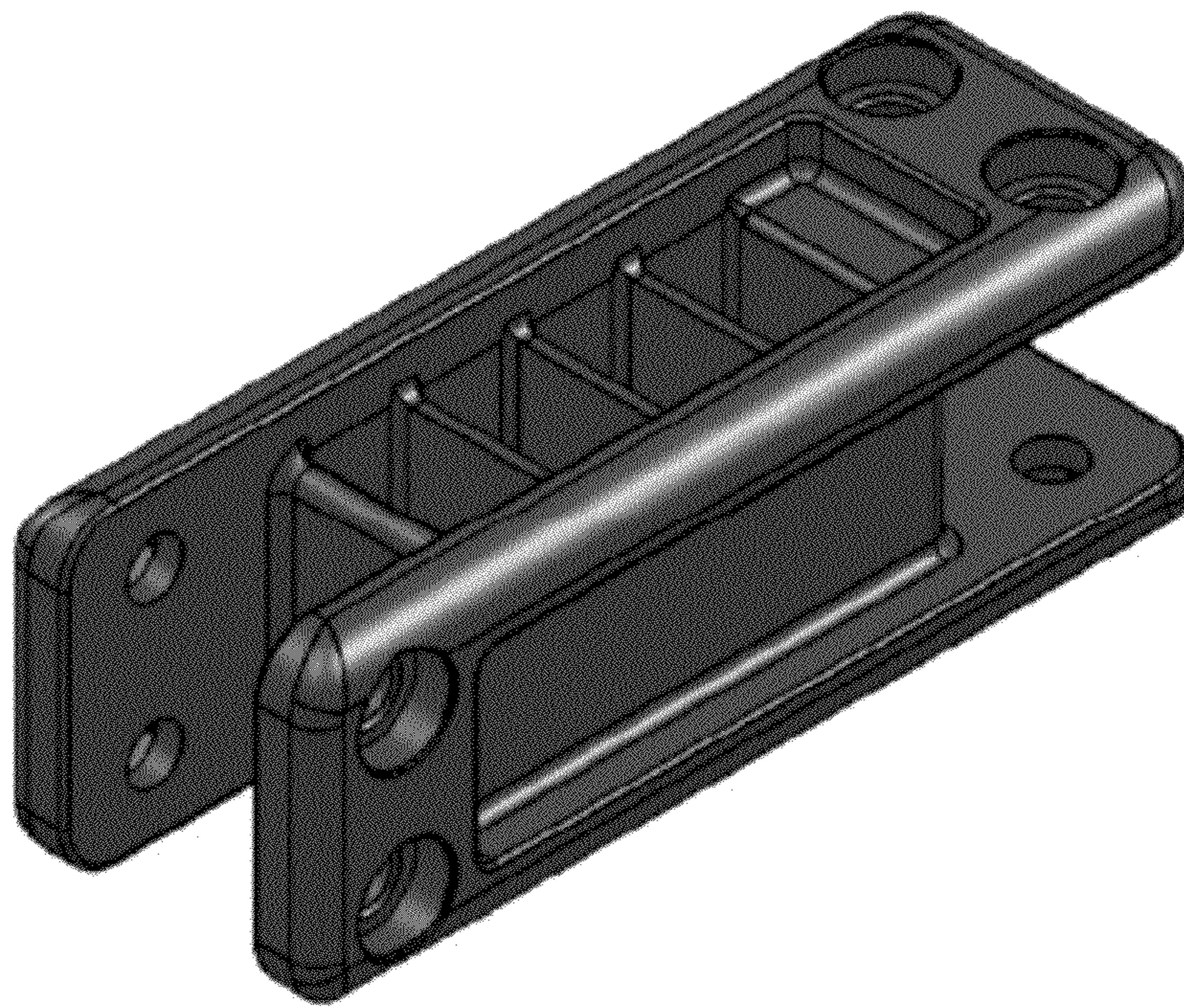


FIG. 7