



US00D709750S

(12) **United States Design Patent**
Kats et al.

(10) **Patent No.:** **US D709,750 S**

(45) **Date of Patent:** **** Jul. 29, 2014**

(54) **ASSEMBLY FIXTURE FOR A
CONCENTRATING PHOTOVOLTAIC
SYSTEM SUPPORTING FRAME**

D655,593 S * 3/2012 Wagner et al. D8/71
D658,120 S * 4/2012 Kawai et al. D13/102
D679,245 S * 4/2013 Efthimiady et al. D13/102
D688,930 S * 9/2013 Krohmer et al. D8/71
D699,666 S * 2/2014 Moyal D13/102

(71) Applicant: **Suncore Photovoltaics Incorporated**,
Irwindale, CA (US)

* cited by examiner

(72) Inventors: **Mikhail Kats**, Rockaway, NJ (US);
Gary D. Hering, Belle Mead, NJ (US);
Daniel P. Mentel, Fair Haven, NJ (US)

Primary Examiner — David Muller

(74) *Attorney, Agent, or Firm* — Mueting, Raasch &
Gebhardt, P.A.

(73) Assignee: **Suncore Photovoltaics, Inc.**, Irwindale,
CA (US)

(57) **CLAIM**

The ornamental design for an assembly fixture for a concen-
trating photovoltaic system supporting frame, as shown and
described.

(**) Term: **14 Years**

DESCRIPTION

(21) Appl. No.: **29/444,605**

(22) Filed: **Jan. 31, 2013**

(51) **LOC (10) Cl.** **08-05**

(52) **U.S. Cl.**
USPC **D8/72**

(58) **Field of Classification Search**
USPC D8/71–74, 394, 59; 248/72, 689, 124.2;
81/487; 269/3, 4, 6, 143, 165, 240,
269/243, 246–249, 254 R, 147–149; 29/256,
29/257, 276; 408/103, 104–109; D26/1,
D26/113, 138; 359/811, 819; D13/102, 118
See application file for complete search history.

(56) **References Cited**

U.S. PATENT DOCUMENTS

4,027,866 A * 6/1977 Ruggiero 269/243
D279,283 S * 6/1985 Tate D13/118
5,816,568 A * 10/1998 Fox 269/243
D426,524 S * 6/2000 Abed et al. D8/71
D481,605 S * 11/2003 West D8/72
6,765,734 B1 * 7/2004 Griffiths et al. 359/811
D644,497 S * 9/2011 Livingston et al. D8/72
D651,969 S * 1/2012 Turk et al. D13/102

FIG. 1 is a top perspective view of an exemplary assembly
fixture for a concentrating photovoltaic system supporting
frame;

FIG. 2 is a top perspective view of the assembly fixture of
FIG. 1 in use with a portion of a concentrating photovoltaic
system supporting frame shown in broken lines;

FIG. 3 is a top perspective view of the assembly fixture of
FIG. 1 in use with two portions of a concentrating photovol-
taic system supporting frame shown in broken lines;

FIG. 4 is a front elevation view of the assembly fixture of FIG.
1;

FIG. 5 is a rear elevation view of the assembly fixture of FIG.
1;

FIG. 6 is a top plan view of the assembly fixture of FIG. 1;

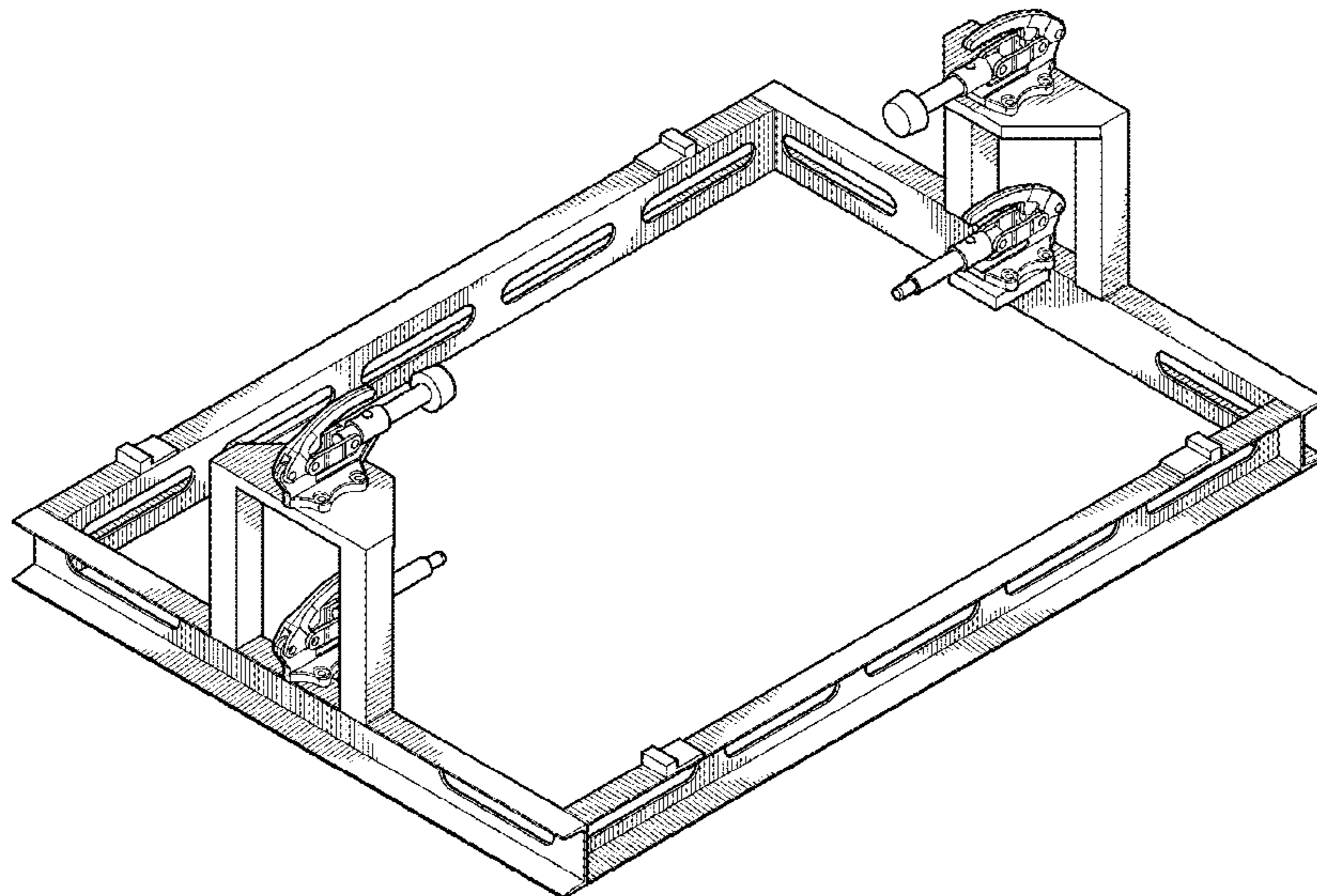
FIG. 7 is a bottom plan view of the assembly fixture of FIG.
1;

FIG. 8 is a right side elevation view of the assembly fixture of
FIG. 1; and,

FIG. 9 is a left side elevation view of the assembly fixture of
FIG. 1.

The features shown in broken lines depict environmental
subject matter only and form no part of the claimed design.

1 Claim, 7 Drawing Sheets



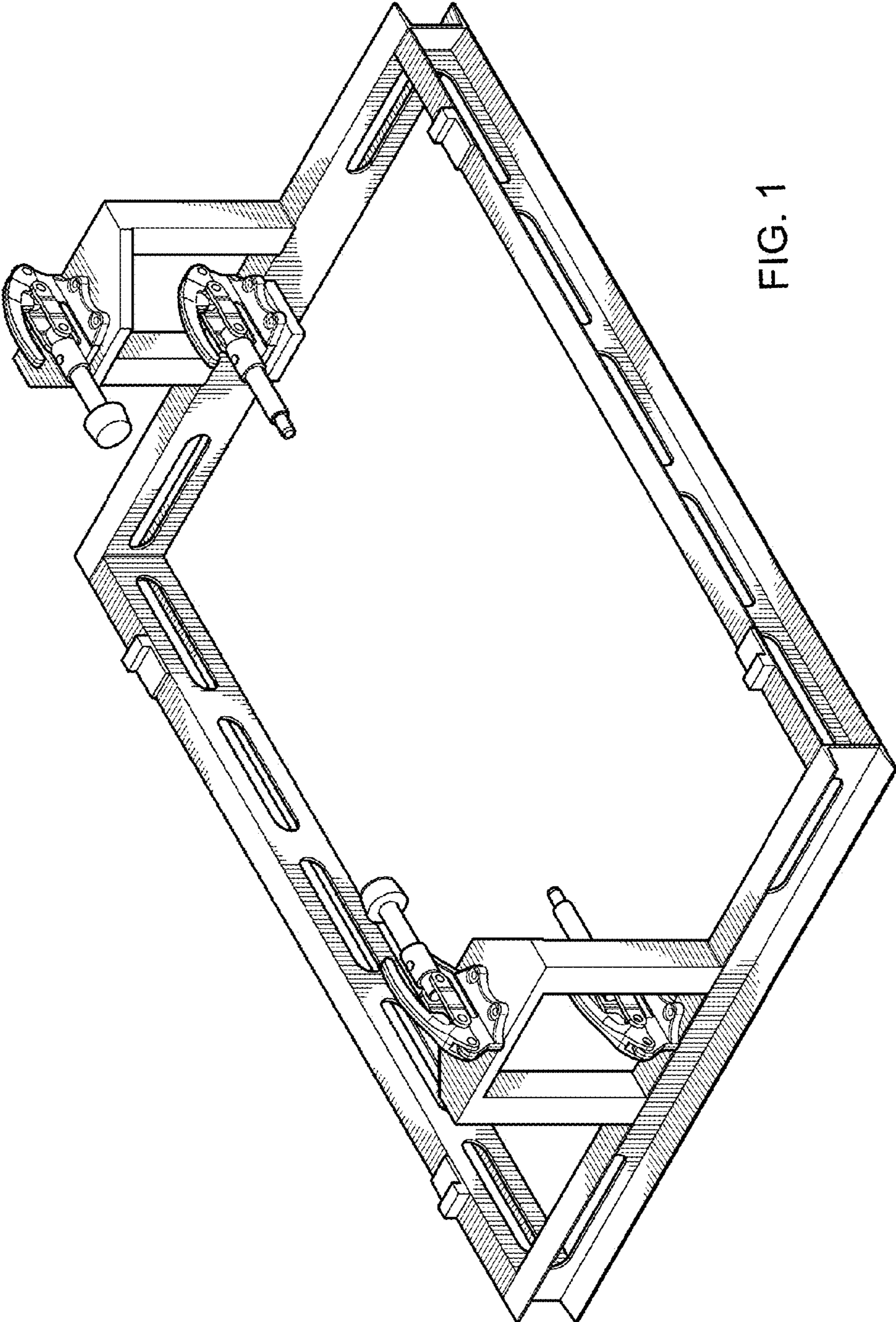


FIG. 1

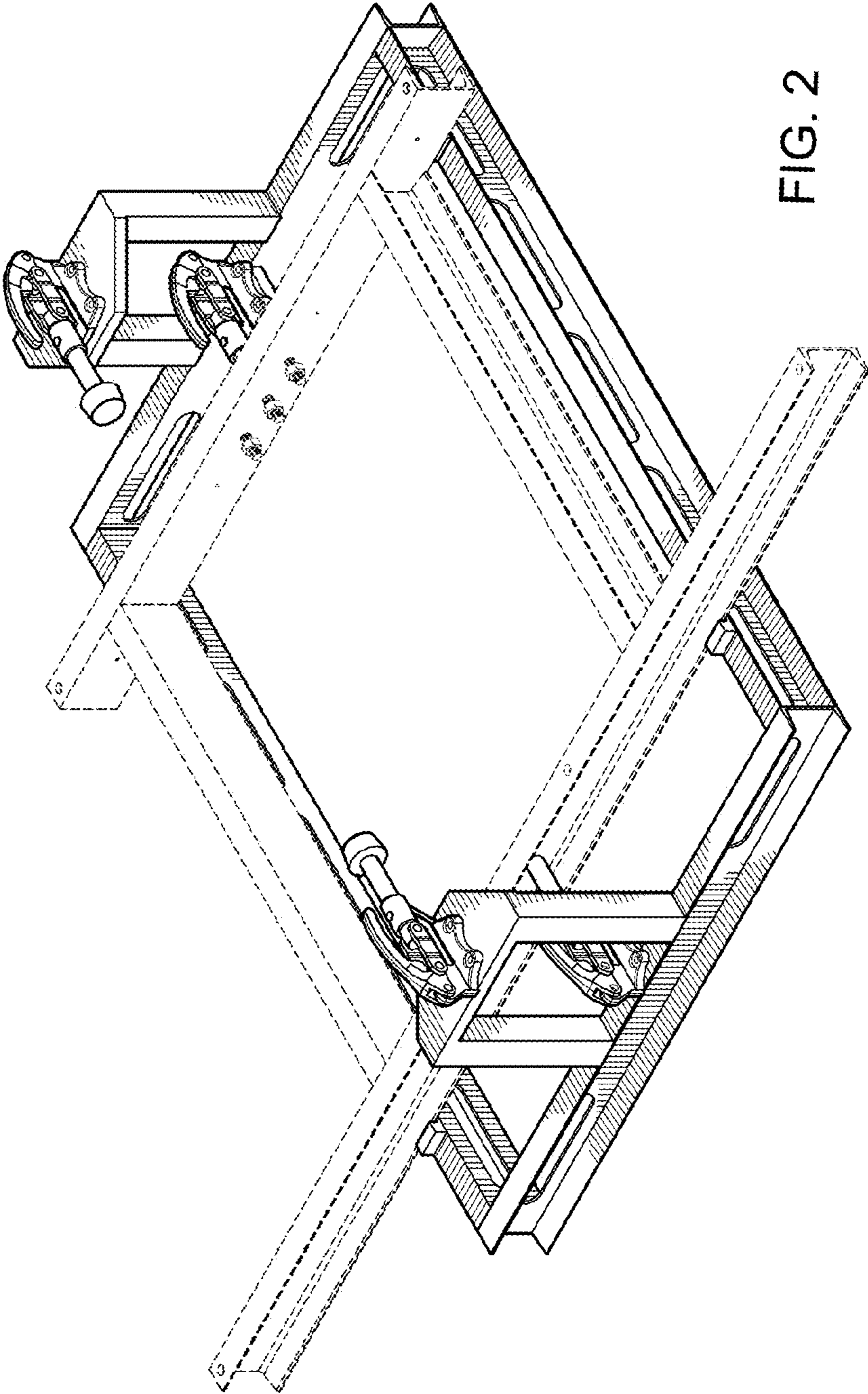


FIG. 2

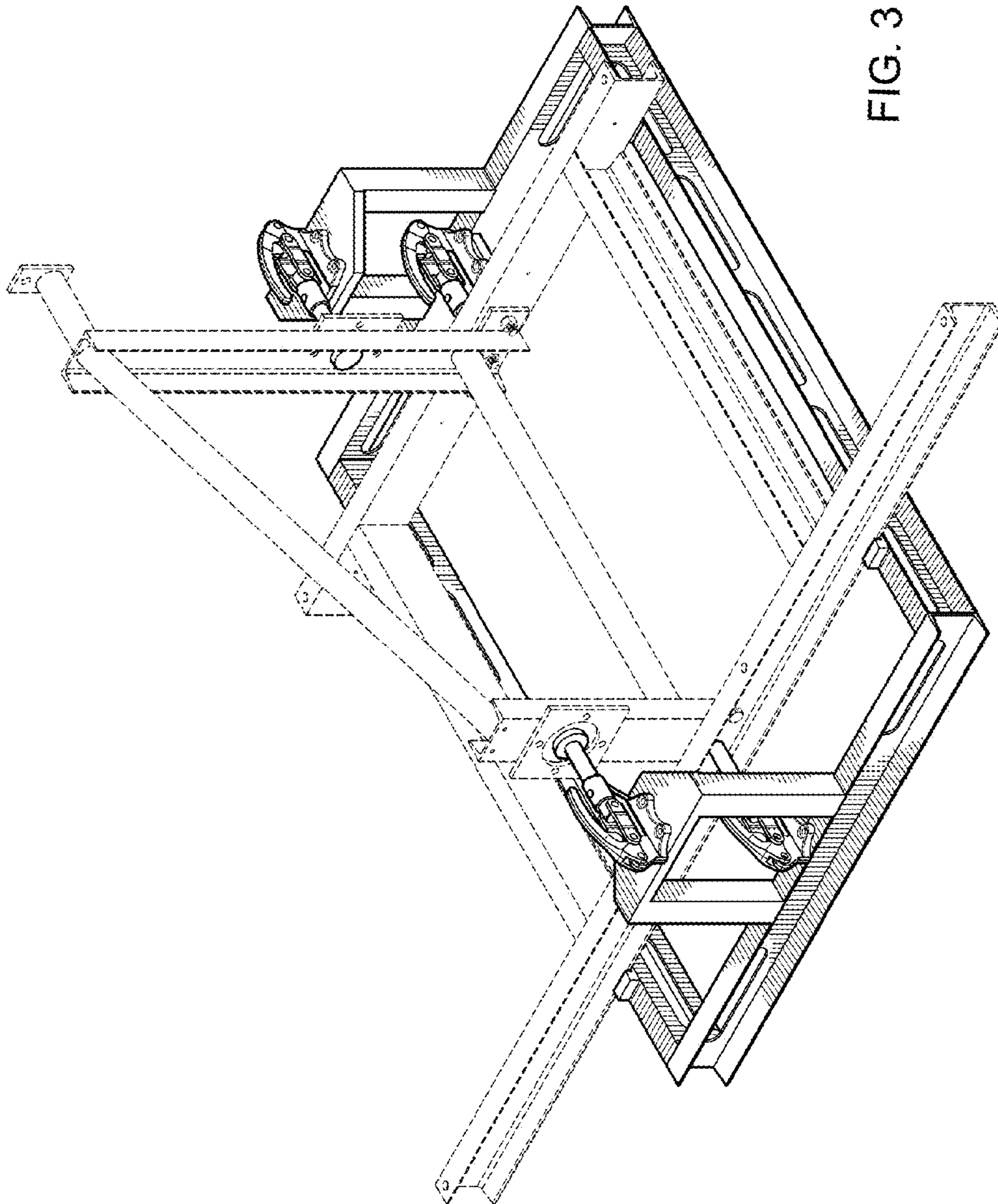


FIG. 3

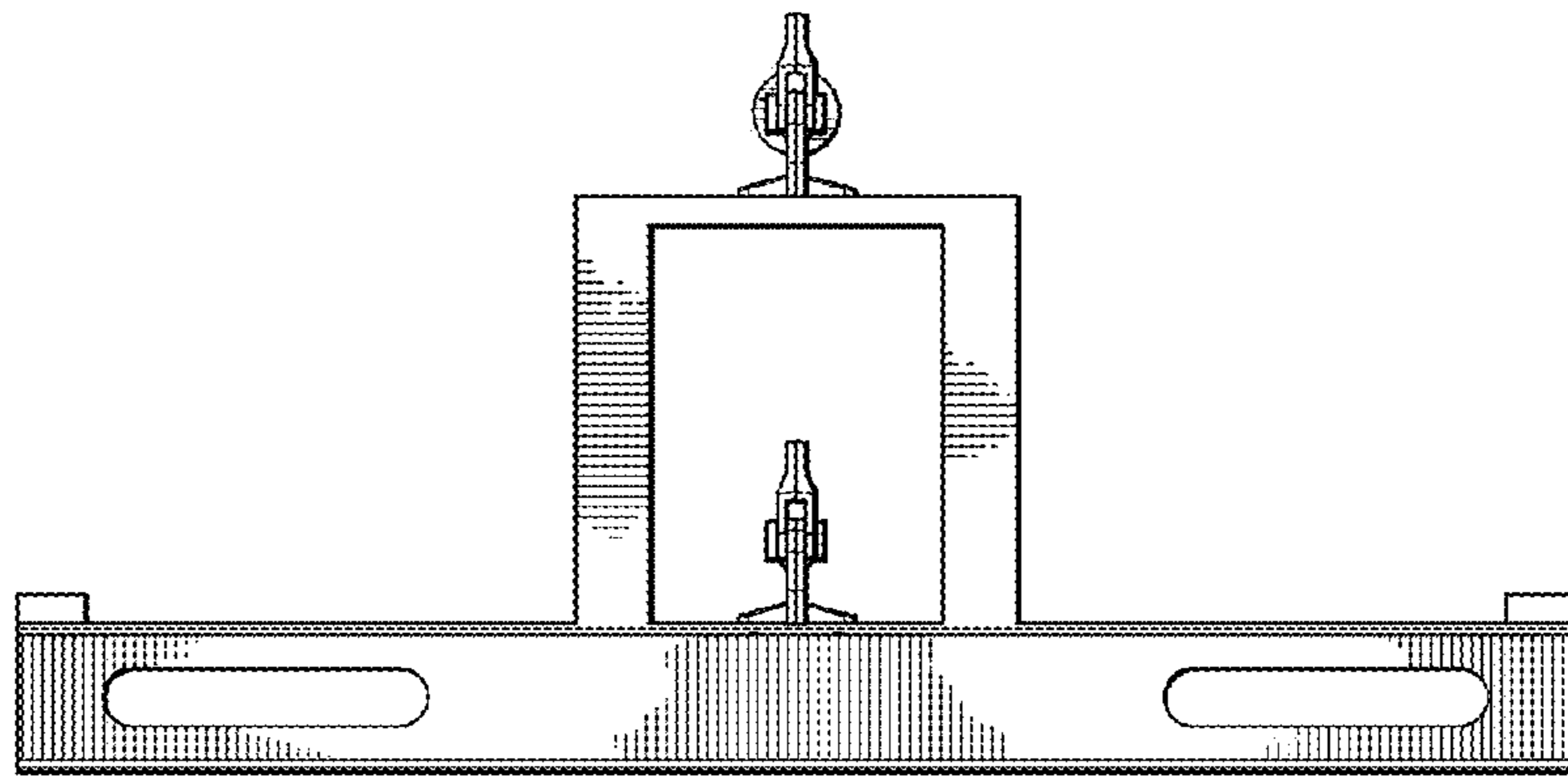


FIG. 4

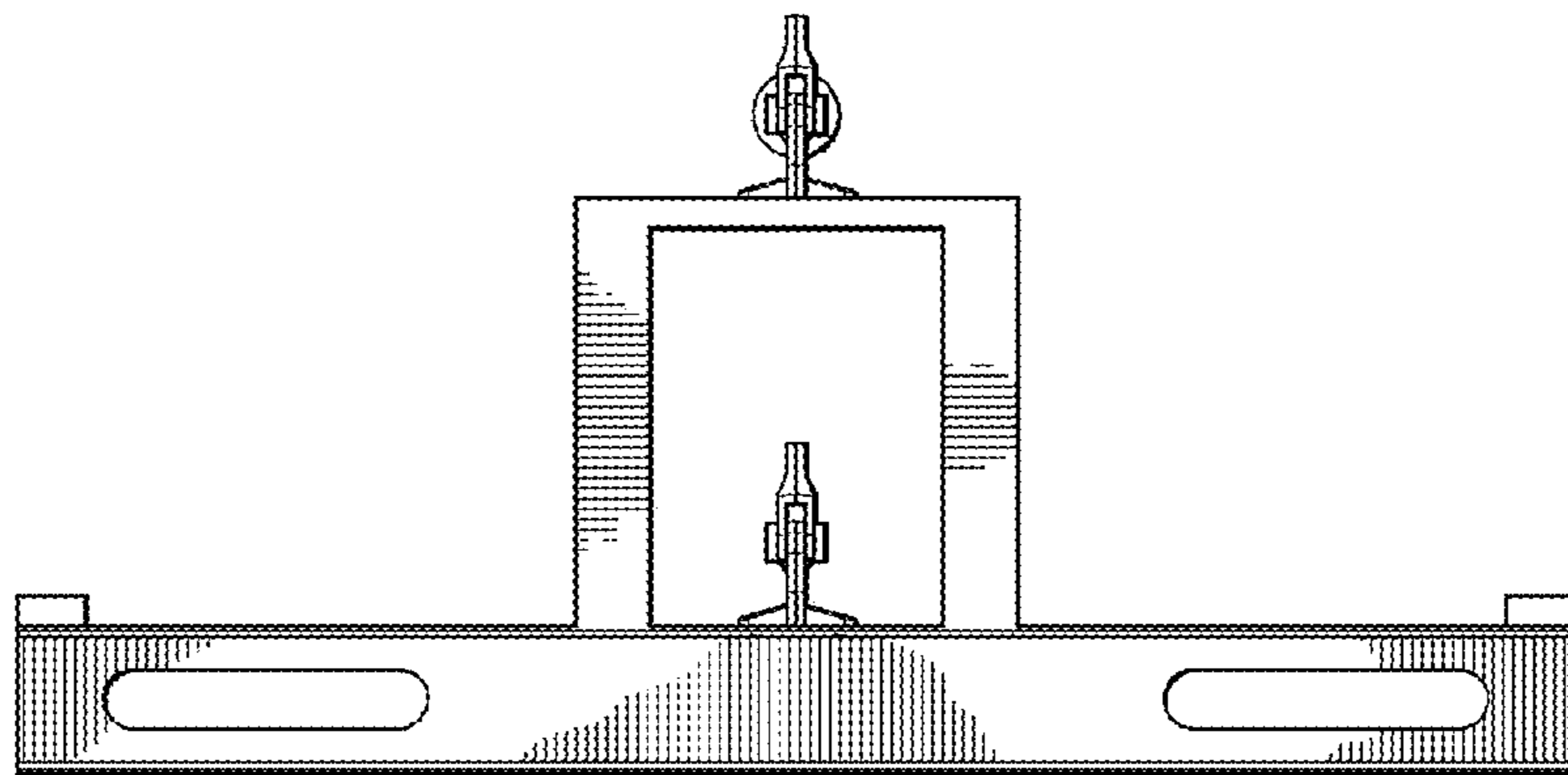


FIG. 5

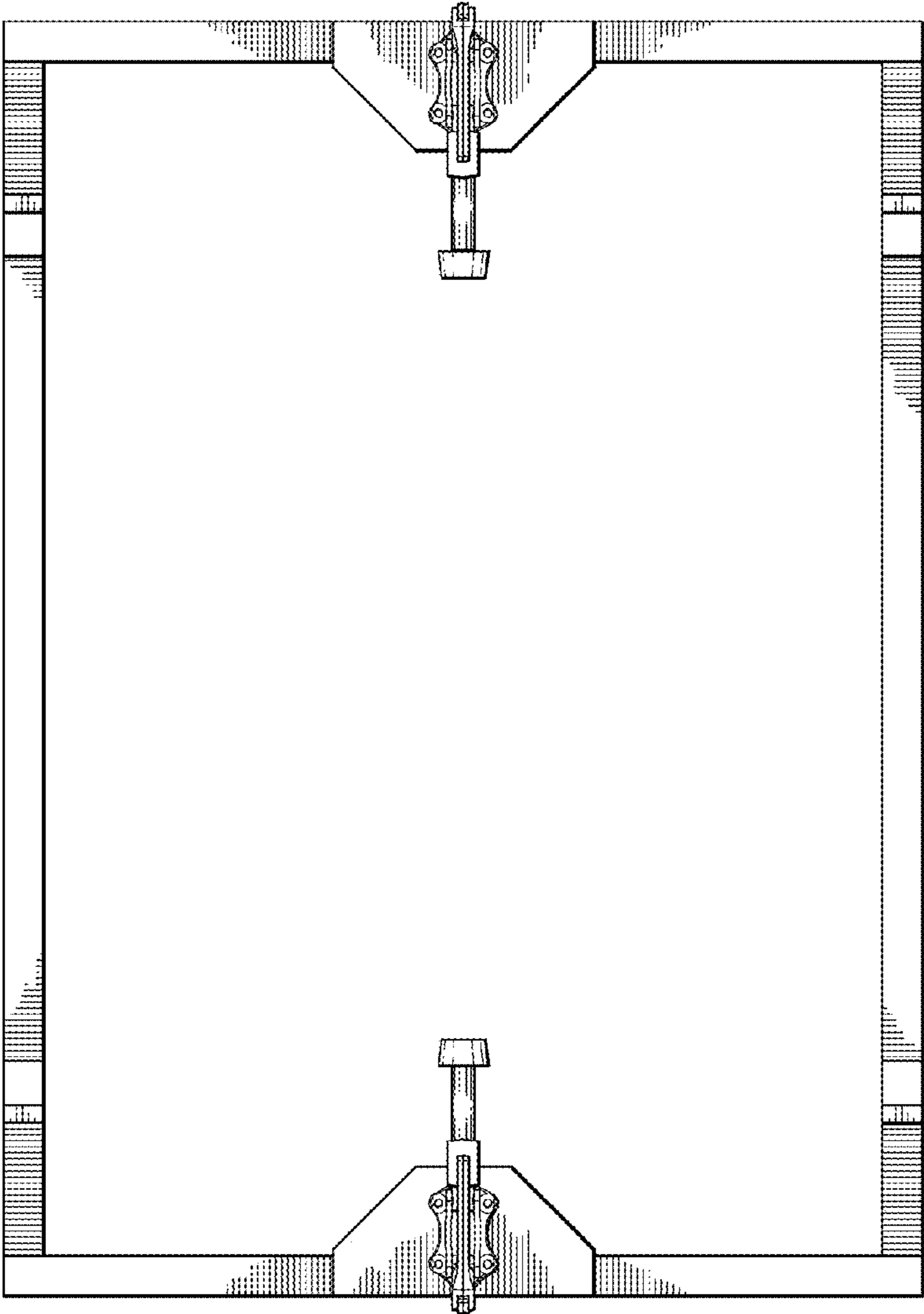


FIG. 6

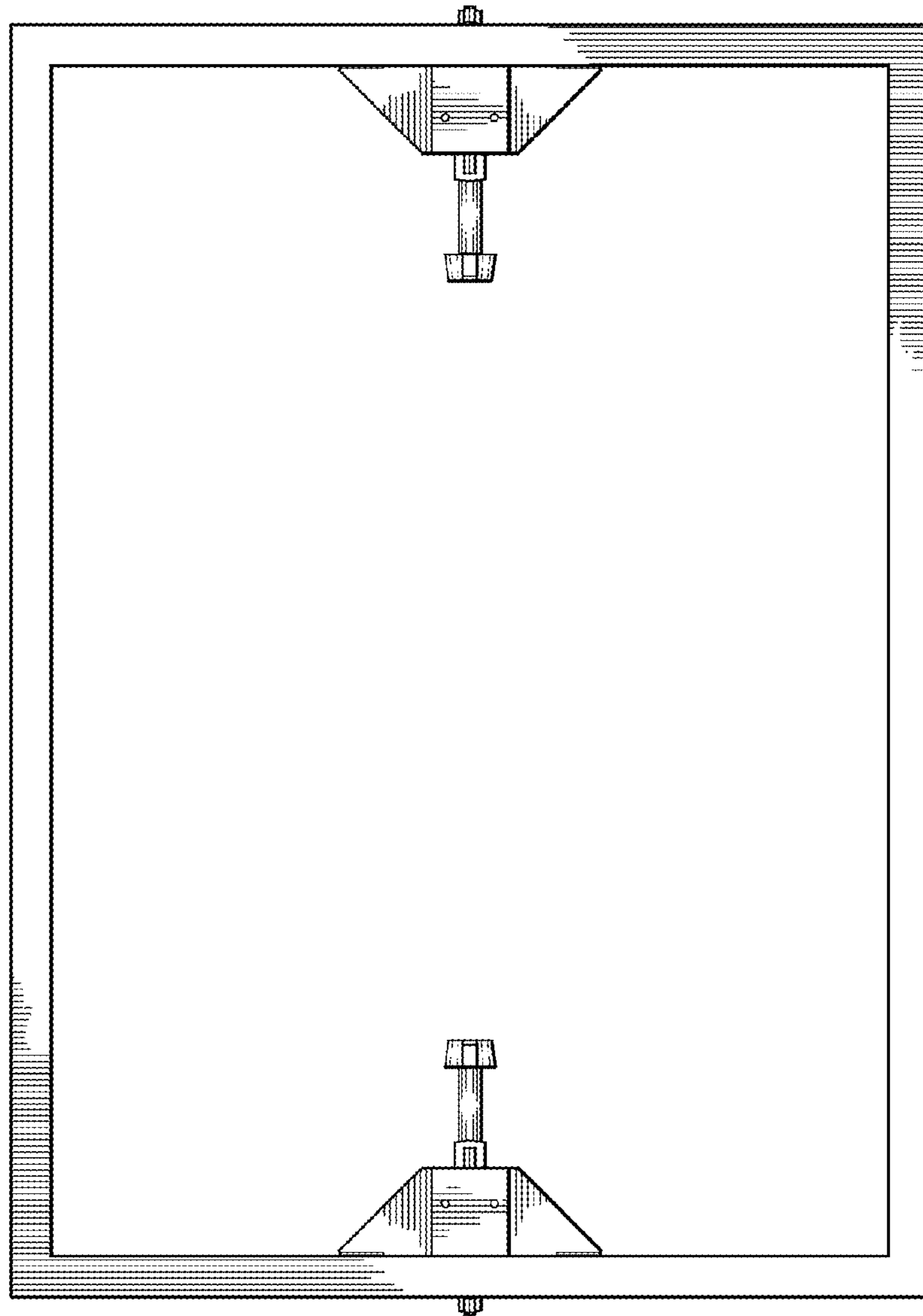


FIG. 7

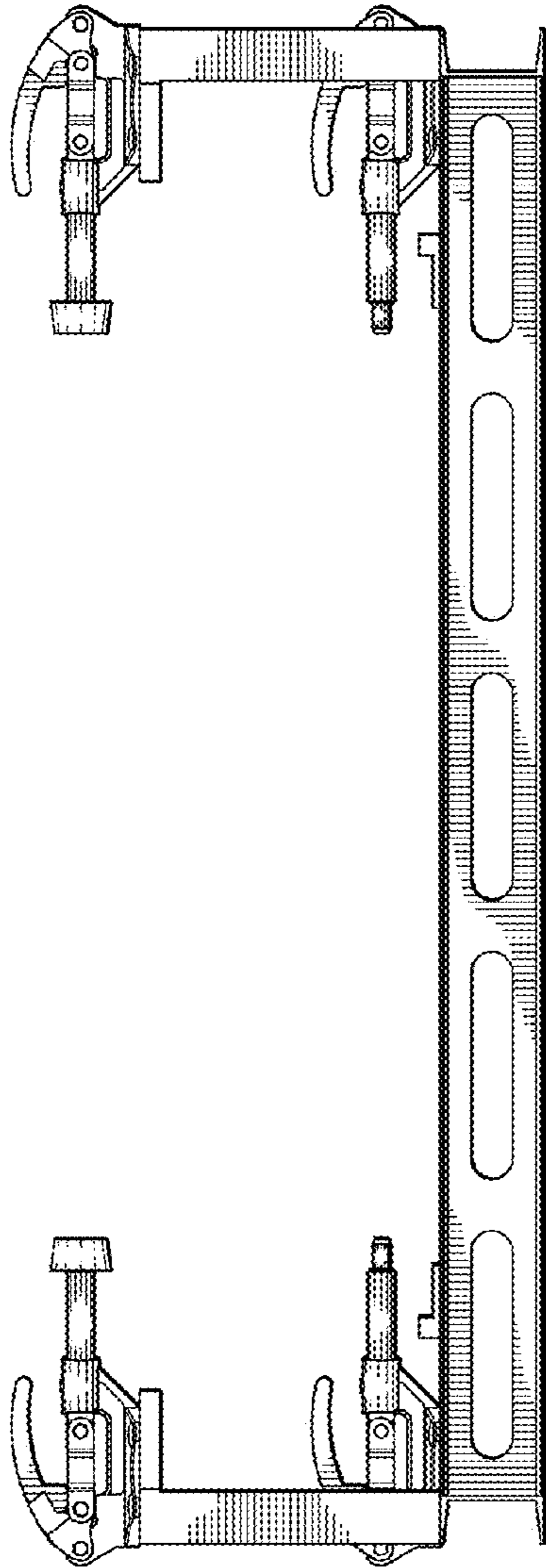


FIG. 8

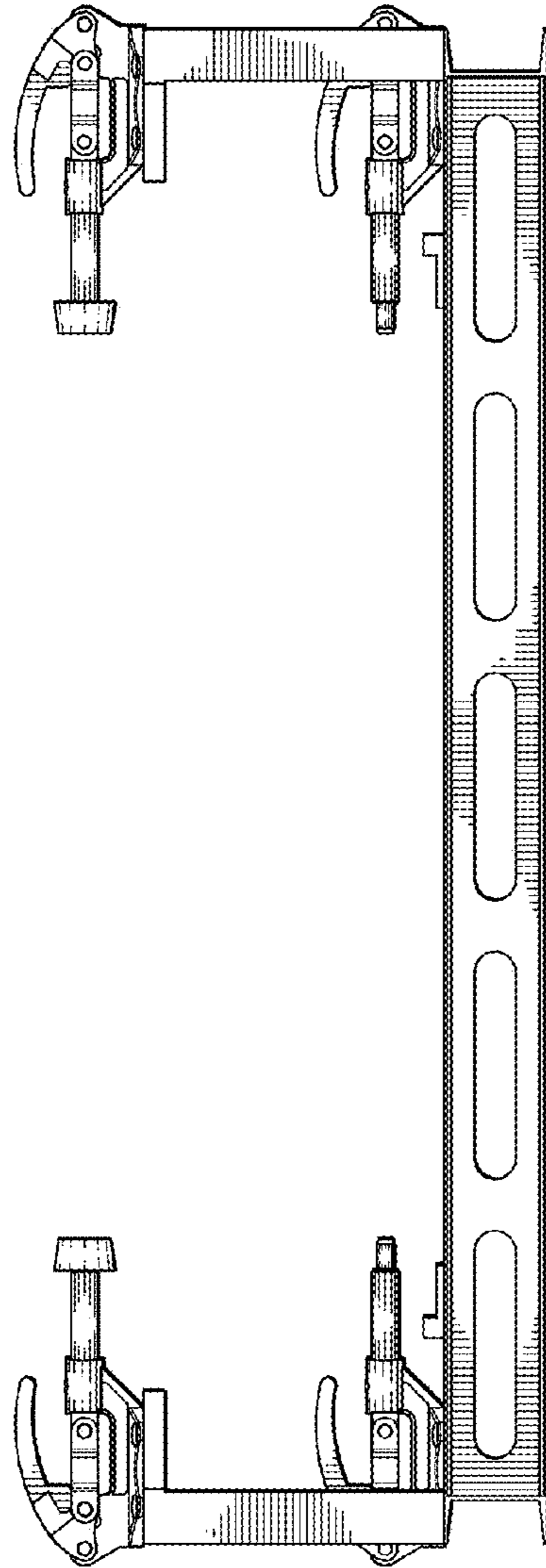


FIG. 9