



US00D709749S

(12) **United States Design Patent**
Leonard

(10) **Patent No.:** **US D709,749 S**
(45) **Date of Patent:** **** Jul. 29, 2014**

(54) **DRILL BIT HOLDER**

(71) Applicant: **Shane Leonard**, Braggs, OK (US)

(72) Inventor: **Shane Leonard**, Braggs, OK (US)

(**) Term: **14 Years**

(21) Appl. No.: **29/465,429**

(22) Filed: **Aug. 28, 2013**

(51) **LOC (10) Cl.** **08-05**

(52) **U.S. Cl.**
USPC **D8/71**

(58) **Field of Classification Search**
USPC D3/273, 282, 284, 304–315, 901, 905;
D6/567; D8/17, 21–29, 71, 97, 107;
D9/415; D15/144.1; D24/230;
16/110.1; 81/60, 110.1, 121.1, 124.3,
81/124.6, 165–170, 176.1, 176.15, 176.2,
81/177.1, 177.2, 177.85, 186; 219/75,
219/121.16, 121.18, 227, 229

See application file for complete search history.

(56) **References Cited**

U.S. PATENT DOCUMENTS

2,568,089	A *	9/1951	Pendleton	211/69
D294,548	S *	3/1988	Wallace	D6/567
D294,904	S *	3/1988	Bleskachek	D6/526
D300,704	S *	4/1989	Ianni	D6/553
D313,889	S *	1/1991	Gakhar et al.	D3/228
D320,124	S *	9/1991	Gakhar et al.	D6/553
D323,245	S *	1/1992	Hobson	D3/313
5,337,906	A *	8/1994	Digiulio	211/88.01
D392,142	S *	3/1998	Weisburn et al.	D6/567
D512,562	S *	12/2005	Tsuda	D3/228
7,314,142	B2 *	1/2008	Lyman, Jr.	211/69.5
7,591,616	B1 *	9/2009	Kerner	408/124
D688,462	S *	8/2013	Kinskey et al.	D3/315

OTHER PUBLICATIONS

“Bott Toolboard Tool Holders for Perfo Panels.” Industrial Supplies, Mar. 10, 2008 [online], [retrieved on Mar. 3, 2014]. Retrieved from the Internet <URL: <http://www.industrialsupplies.com/industrial-of-fice-furniture/workbenches-accessories/d-83305-83305-188832>>.*
Propeller Science. “Drill Bit Holder for HF 13 PC set.” MakerBot Thingiverse., Jan. 7, 2013 [online], [retrieved on Mar. 3, 2014]. Retrieved from the Internet <URL: <http://www.thingiverse.com/thing:40596>>.*
Thule Xsporter. “3 Rod Holder for Truckbed.” Worms In A Can—A Blog For Fishermen., Apr. 22, 2012 [online], [retrieved on Mar. 3, 2014]. Retrieved from the Internet <URL: <http://www.wormsinacan.com/articles/3-rod-holder-for-truckbed>>.*

* cited by examiner

Primary Examiner — Philip S Hyder
Assistant Examiner — Darlington Ly
(74) *Attorney, Agent, or Firm* — Dale J. Ream

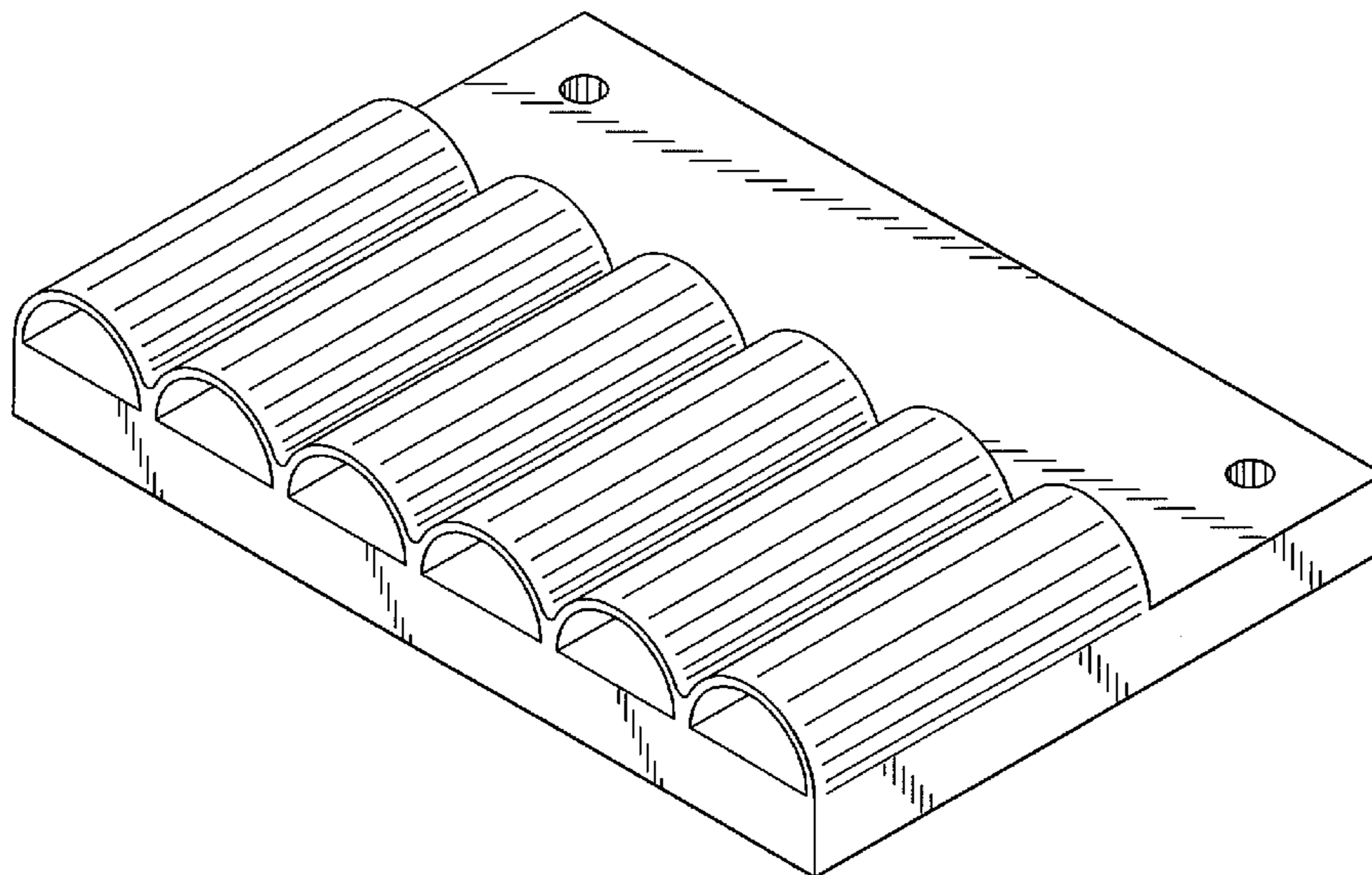
(57) **CLAIM**

The ornamental design for a drill bit holder, as shown and described.

DESCRIPTION

FIG. 1 is a perspective view of a drill bit holder showing my new design;
FIG. 2 is a front view thereof;
FIG. 3 is a back view thereof;
FIG. 4 is a right side view thereof;
FIG. 5 is a left side view thereof;
FIG. 6 is a top view thereof; and,
FIG. 7 is a bottom view thereof.

1 Claim, 5 Drawing Sheets



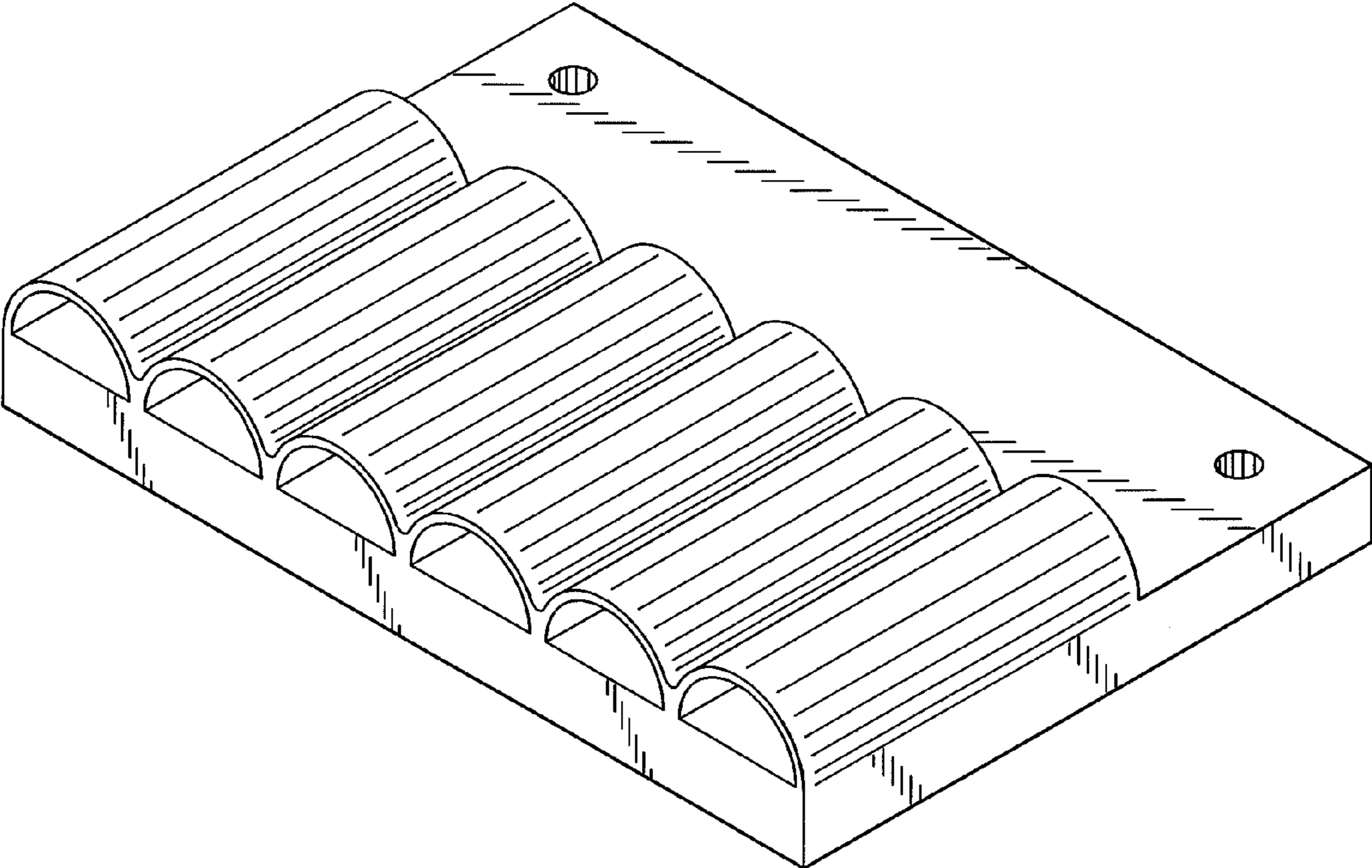


Fig. 1

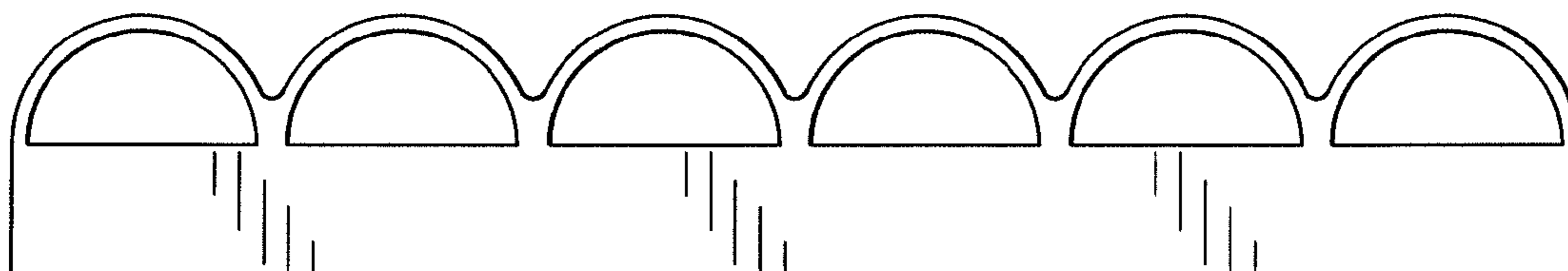


Fig. 2

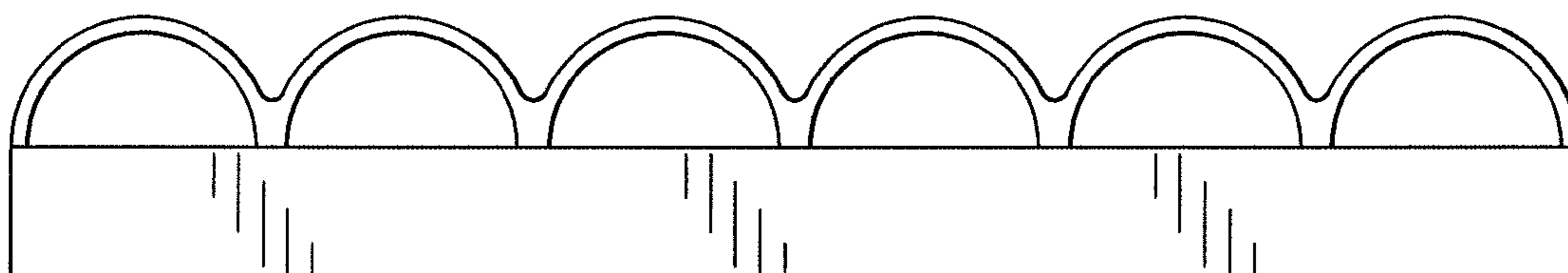


Fig. 3

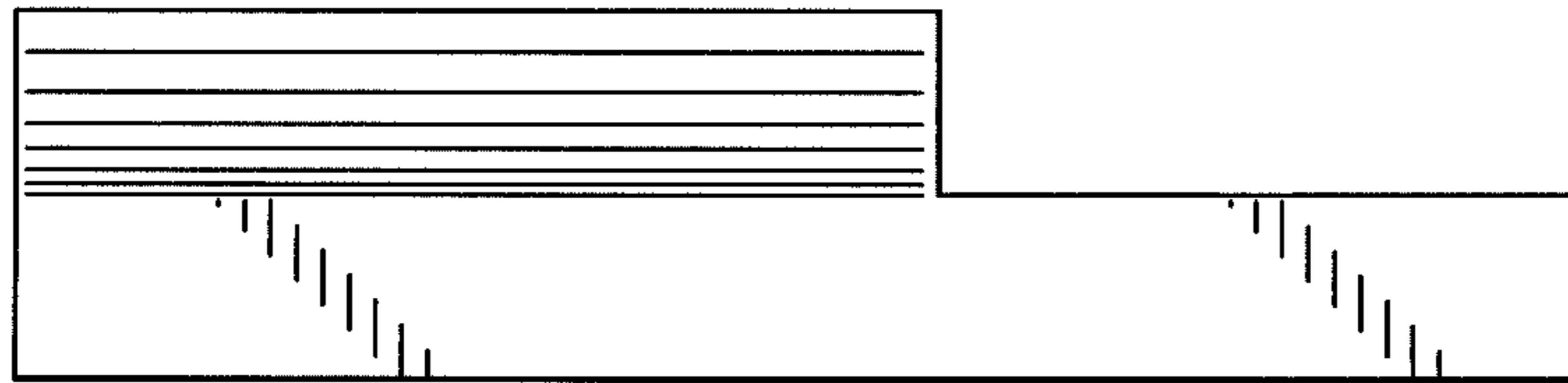


Fig. 4

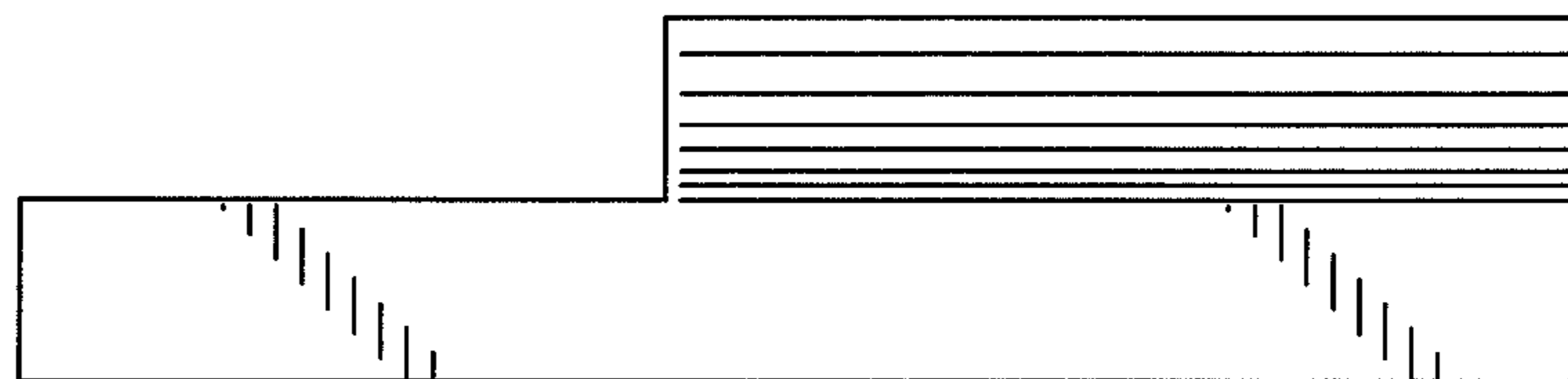


Fig. 5

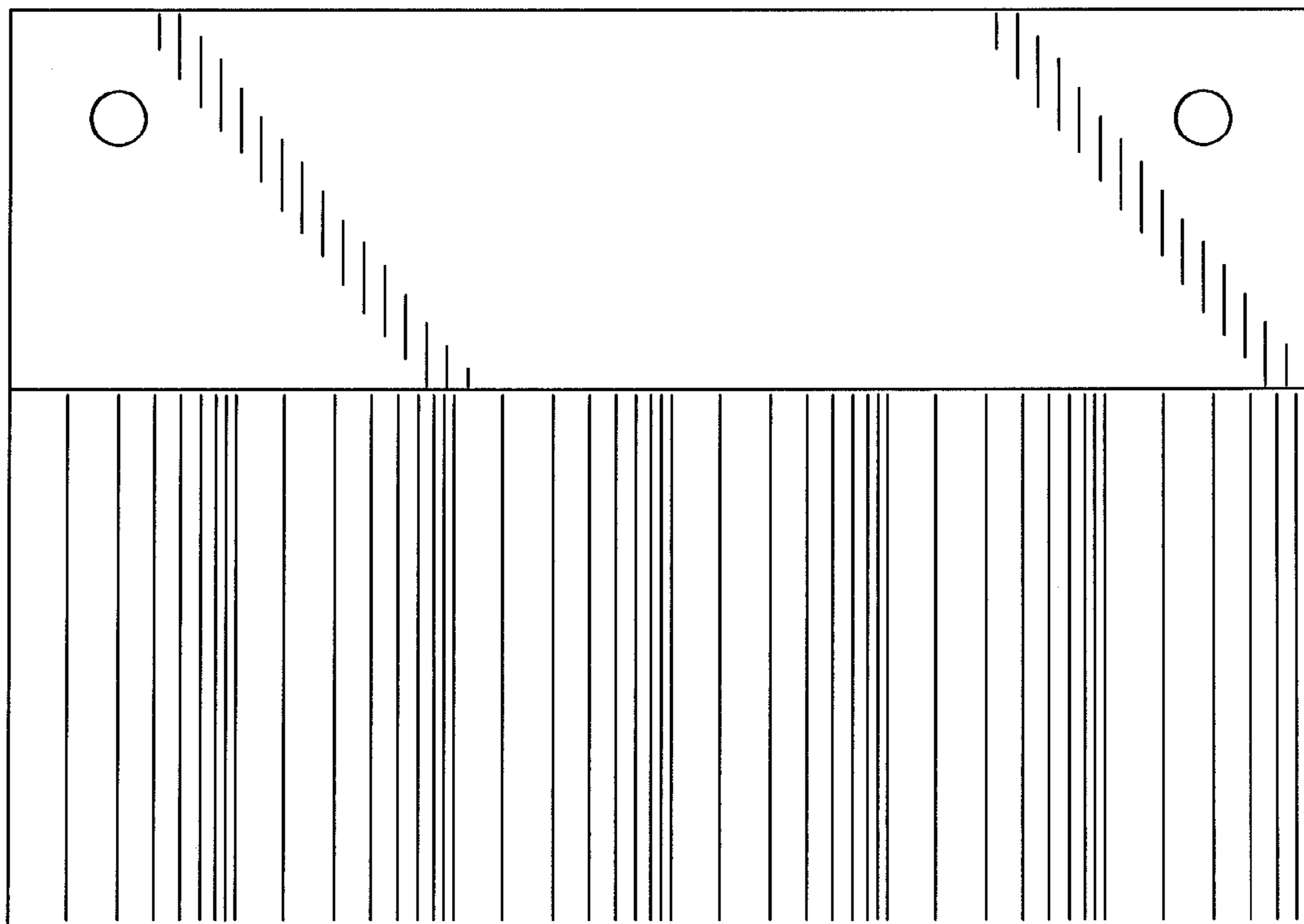


Fig. 6

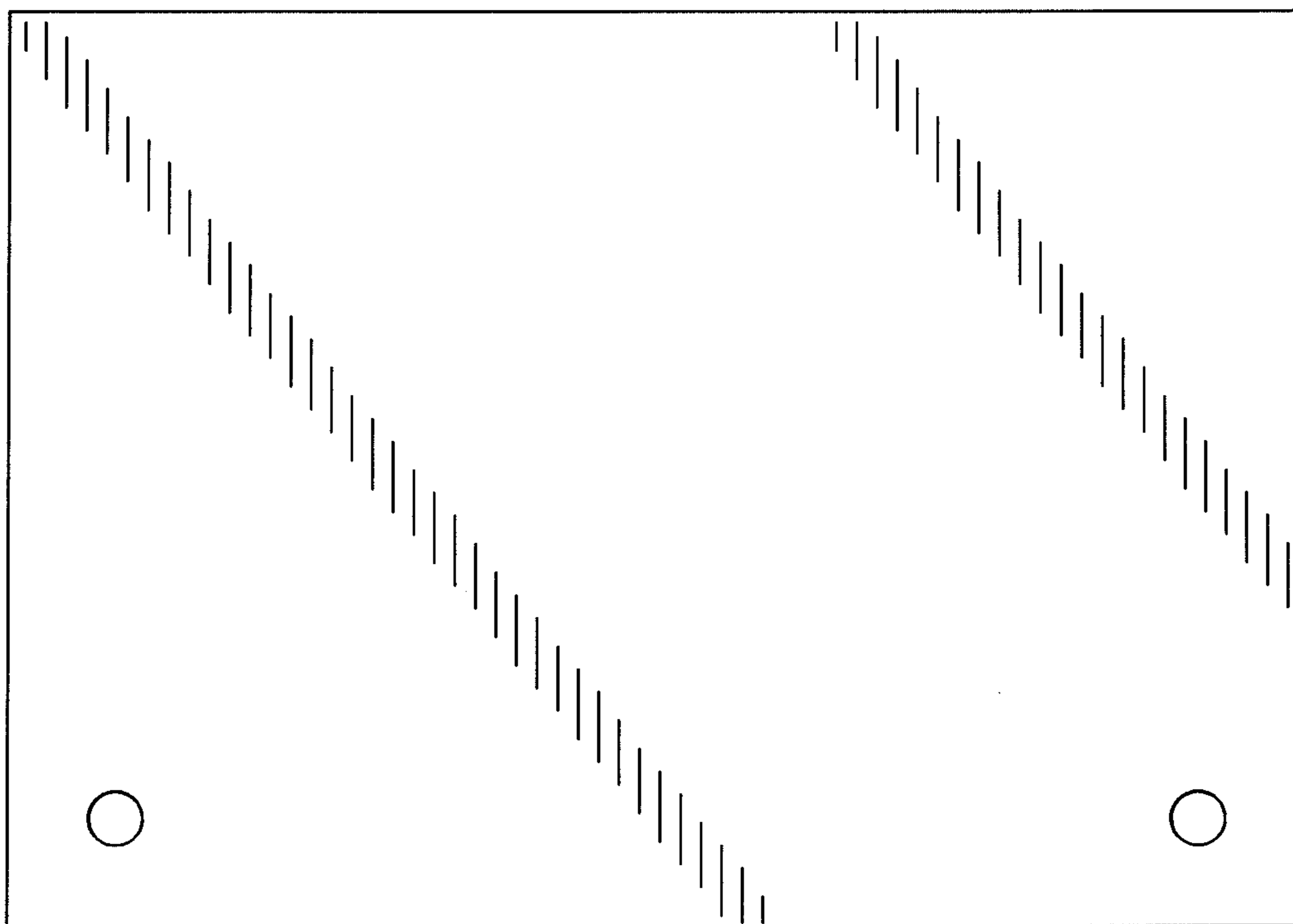


Fig. 7