



US00D709748S

(12) **United States Design Patent**
Frenken

(10) **Patent No.:** **US D709,748 S**
(45) **Date of Patent:** **** Jul. 29, 2014**

(54) **HAND-HELD POWER TOOL**

6,453,719 B1 * 9/2002 Heskey et al. 72/453.16
6,619,101 B1 * 9/2003 Faucher et al. 72/456
6,666,064 B2 * 12/2003 LeFavour et al. 72/453.15

(71) Applicant: **Gustav Klauke GmbH**, Remscheid
(DE)

(Continued)

(72) Inventor: **Egbert Frenken**, Heinsberg (DE)

FOREIGN PATENT DOCUMENTS

(73) Assignee: **Gustav Klauke GmbH**, Remscheid
(DE)

FR 2698026 5/1994

(**) Term: **14 Years**

(21) Appl. No.: **29/460,883**

(22) Filed: **Jul. 16, 2013**

OTHER PUBLICATIONS

CN-58H: 6 Ton Remote Compression C-Head with Rubber Boot- .95" Jaw Opening. Apr. 13, 2013 [online], [retrieved on May 8, 2013]. Retrieved from the Internet <URL: <http://www.huskietools.com/products/cn-58h-6-ton-remote-compression-c-head-with-rubber-boot-95-jaw-opening/>>.

(Continued)

Related U.S. Application Data

(62) Division of application No. 29/425,289, filed on Jun. 21, 2012, now Pat. No. Des. 690,177.

Primary Examiner — Philip S Hyder
Assistant Examiner — Darlington Ly

(30) **Foreign Application Priority Data**

Dec. 22, 2011 (EM) 001307318

(74) *Attorney, Agent, or Firm* — Klintworth & Rozenblat IP LLC

(51) **LOC (10) Cl.** **08-03**

(57) **CLAIM**

(52) **U.S. Cl.**
USPC **D8/68**; D8/61

The ornamental design for a hand-held power tool, as shown and described.

(58) **Field of Classification Search**
USPC D8/60, 61, 62, 67, 68, 69; 81/57, 57.11, 81/57.14, 57.26, 429, 464, 469; 173/2, 173/170, 176, 181

DESCRIPTION

See application file for complete search history.

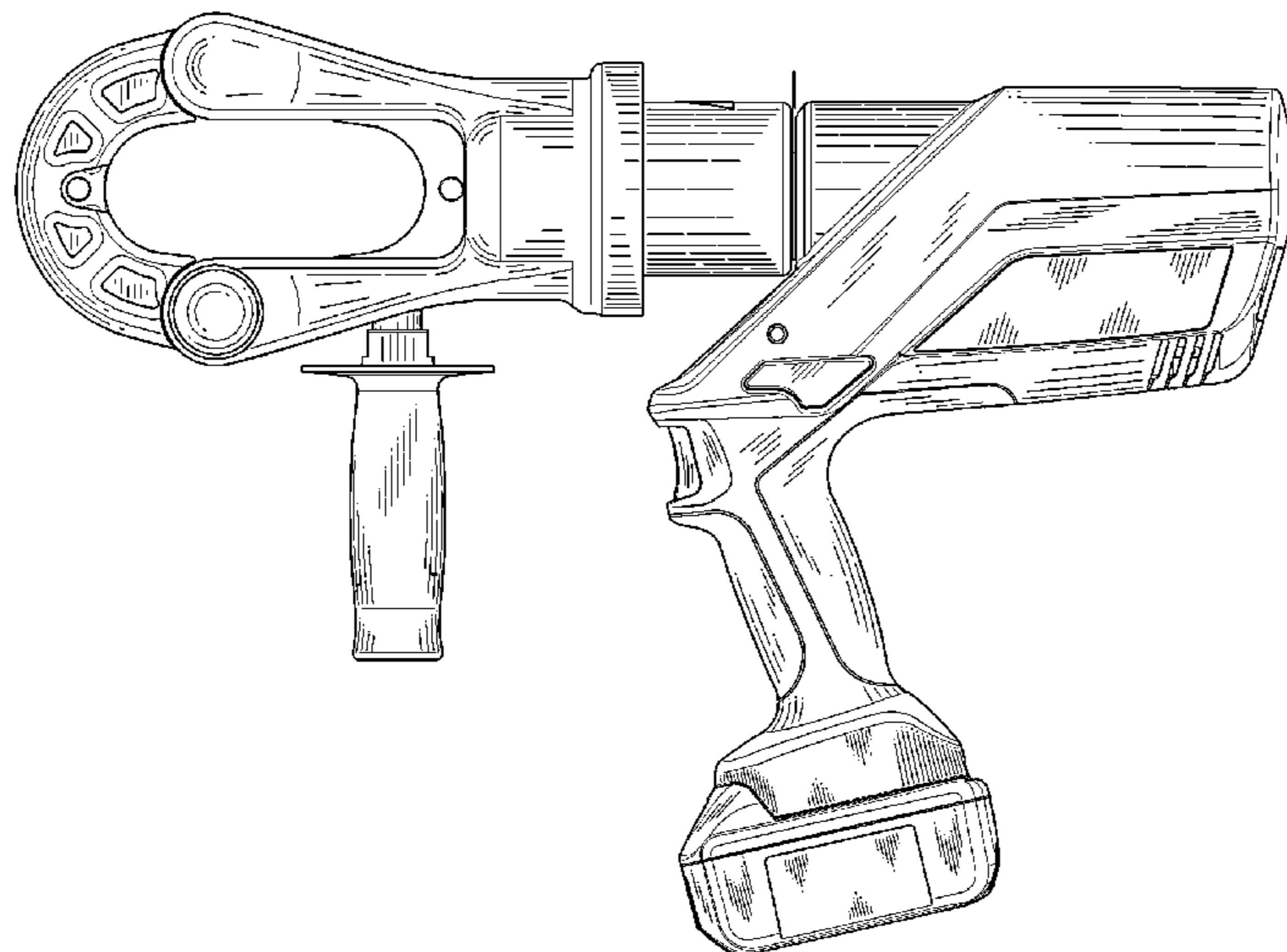
FIG. 1 is a right side elevation view of a hand-held power tool; FIG. 2 is a top plan view of the hand-held power tool; FIG. 3 is a bottom plan view of the hand-held power tool; FIG. 4 is a rear elevation view of the hand-held power tool; FIG. 5 is a front elevation view of the hand-held power tool; FIG. 6 is a left side elevation view of a hand-held power tool; and, FIG. 7 is a perspective view of the hand-held power tool.

(56) **References Cited**

U.S. PATENT DOCUMENTS

D309,563 S * 7/1990 Astle D8/60
D329,793 S * 9/1992 Fukuda D8/60
5,381,686 A * 1/1995 Thorup 72/453.06
D378,340 S * 3/1997 Harter D8/60

1 Claim, 4 Drawing Sheets



(56)

References Cited

U.S. PATENT DOCUMENTS

6,718,870	B1 *	4/2004	Frenken	100/266
D531,867	S *	11/2006	Payne et al.	D8/61
D673,829	S *	1/2013	Takeshima et al.	D8/61
2005/0005672	A1 *	1/2005	Sneath	72/453.16
2009/0313820	A1 *	12/2009	Roman et al.	29/863

OTHER PUBLICATIONS

Battery Powered Hydraulic Tools. www.crimping-tool.com. Oct. 4, 2012 [online], [retrieved on May 8, 2013]. Retrieved from the

Internet <URL: <http://www.crimping-tool.com/Battery-Powered-Hydraulic-Crimping-Tools.htm>>.

Green Lee A Tectron Company—Crimp Tool, Dieless Remote FT. Apr. 9, 2012 [online], [retrieved on May 8, 2013]. Retrieved from the Internet <URL: http://www.greenlee.com/products/CRIMP-TOOL%2540cDI_ELESS%2540dREMOTEF.html?product_id=17980>.

Thomas & Betts. Power-Assisted Compression Tools: #8 to 1500 or 2000MCM. Apr. 9, 2012 [online], [retrieved on May 8, 2013]. Retrieved from the Internet <URL: <http://www.specialized.net/Specialized//Assets/ProductSpecifications//272X016.PDF>>.

* cited by examiner

Fig. 3

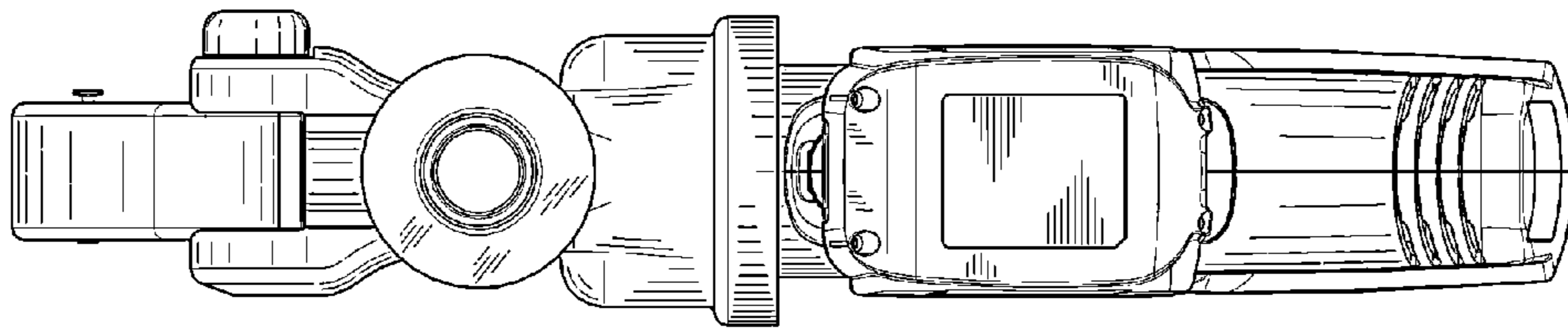


Fig. 1

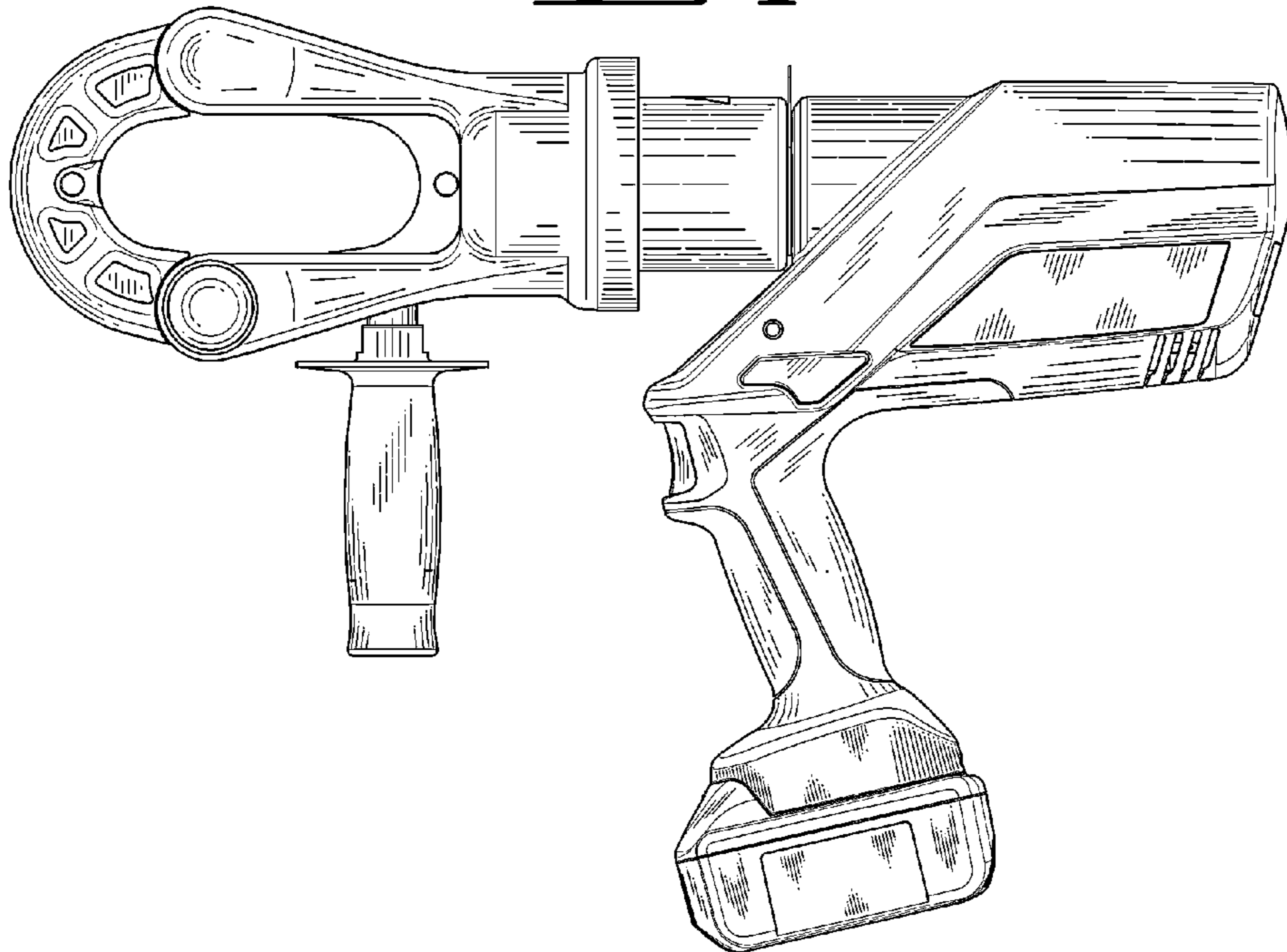


Fig. 2

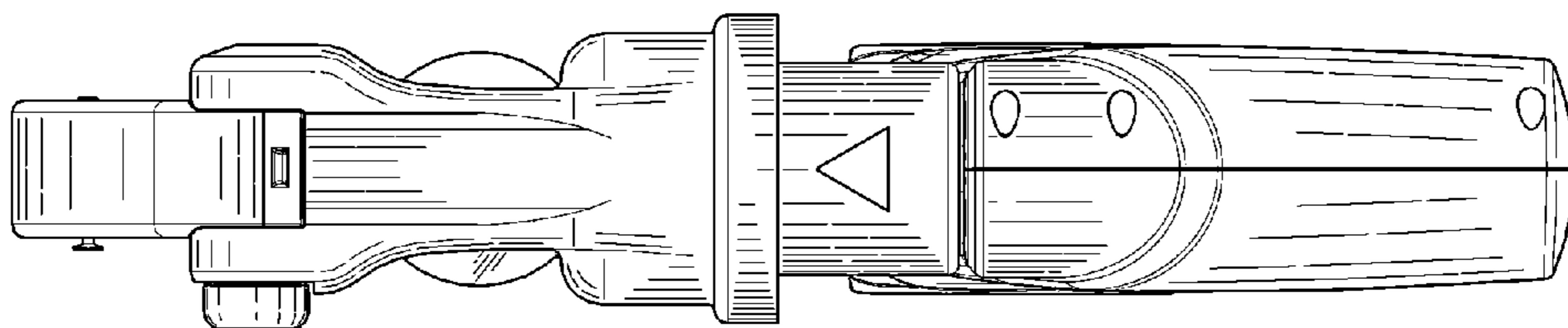


Fig. 4

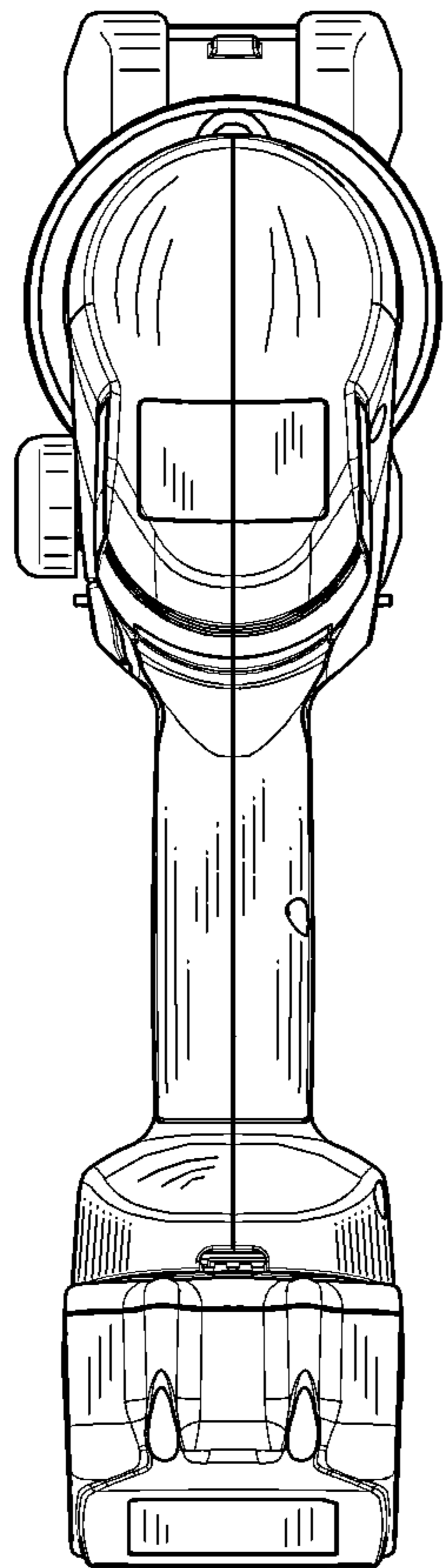


Fig. 5

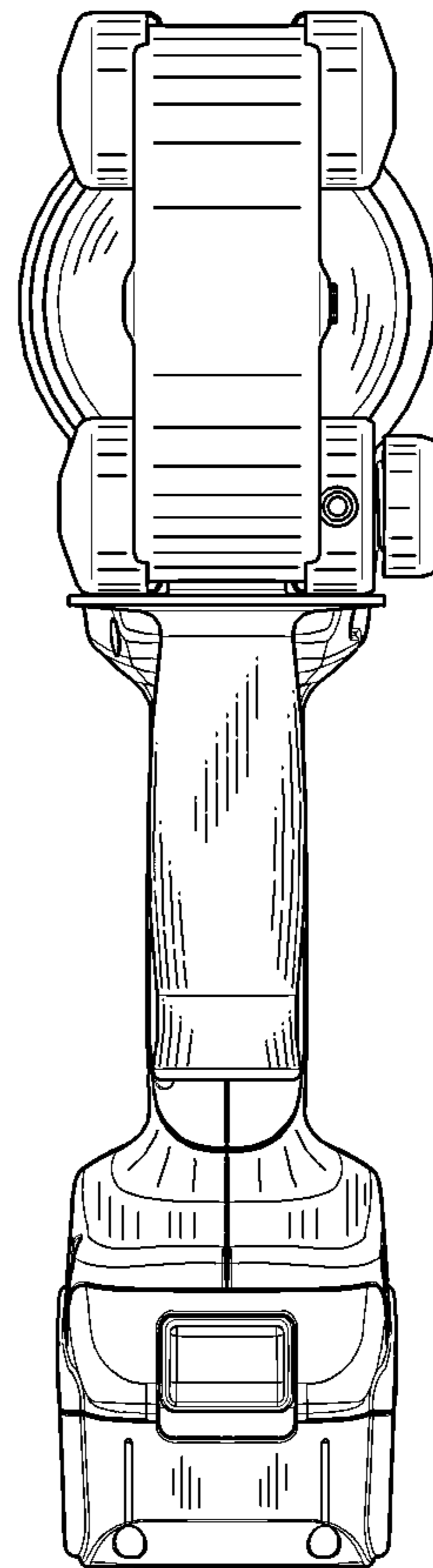


Fig. 6

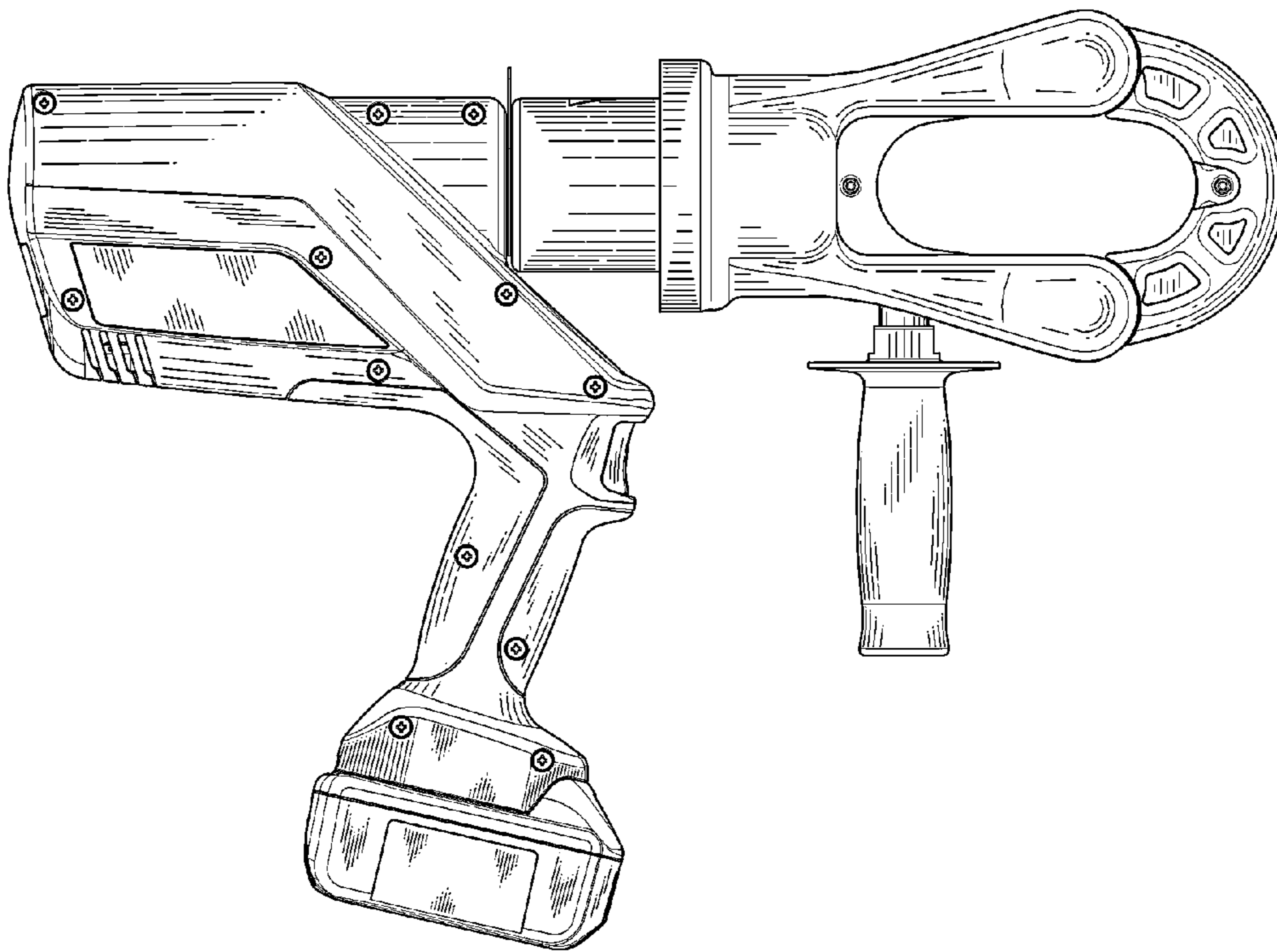


Fig. 7

