



US00D709747S

(12) **United States Design Patent**
Okouchi et al.

(10) **Patent No.:** **US D709,747 S**

(45) **Date of Patent:** **** Jul. 29, 2014**

(54) **PORTABLE ELECTRIC CUTOUT TOOL**

(71) Applicant: **Makita Corporation**, Anjo (JP)

(72) Inventors: **Katsumi Okouchi**, Anjo (JP); **Yohei Ogino**, Anjo (JP); **Kento Nakamura**, Anjo (JP)

(73) Assignee: **Makita Corporation**, Ajno-shi (JP)

(**) Term: **14 Years**

(21) Appl. No.: **29/484,285**

(22) Filed: **Mar. 7, 2014**

(30) **Foreign Application Priority Data**

Sep. 25, 2013 (JP) 2013-022235

(51) **LOC (10) Cl.** **08-03**

(52) **U.S. Cl.**
USPC **D8/61**

(58) **Field of Classification Search**
CPC B23D 49/00; B26D 1/00; B27C 5/00;
B26F 1/38; B25F 1/006
USPC D8/61, 67, 70, 107, 64; 409/182, 180,
409/134, 132, 131; 144/48.6, 252.1, 154.5,
144/136.95, 153; 279/48
See application file for complete search history.

(56) **References Cited**

U.S. PATENT DOCUMENTS

D364,790	S	*	12/1995	Duennes	D8/61
5,829,931	A	*	11/1998	Doumani	409/182
D437,757	S		2/2001	Thomson et al.		
D446,100	S	*	8/2001	Heun	D8/61
D447,028	S	*	8/2001	Wikle et al.	D8/61
D447,030	S	*	8/2001	Chen	D8/61
D470,735	S	*	2/2003	Heun	D8/61
D471,781	S	*	3/2003	Heun	D8/61
D473,119	S	*	4/2003	Evans	D8/61
D477,758	S	*	7/2003	Chunn et al.	D8/64
D481,919	S	*	11/2003	Sham et al.	D8/64

D484,763	S	*	1/2004	Sham et al.	D8/64
D526,176	S	*	8/2006	Lopano et al.	D8/61
D528,099	S	*	9/2006	Riley et al.	D14/155
D567,049	S	*	4/2008	Van Wambeke	D8/64
D570,172	S	*	6/2008	Heun	D8/61
D588,892	S	*	3/2009	Van Wambeke	D8/64
D630,074	S	*	1/2011	Wasielewski et al.	D8/61
2014/0048301	A1	*	2/2014	Okouchi et al.	173/217
2014/0116738		*	5/2014	Okouchi et al.	173/46

* cited by examiner

Primary Examiner — Austin Murphy

(74) *Attorney, Agent, or Firm* — Global IP Counselors, LLP

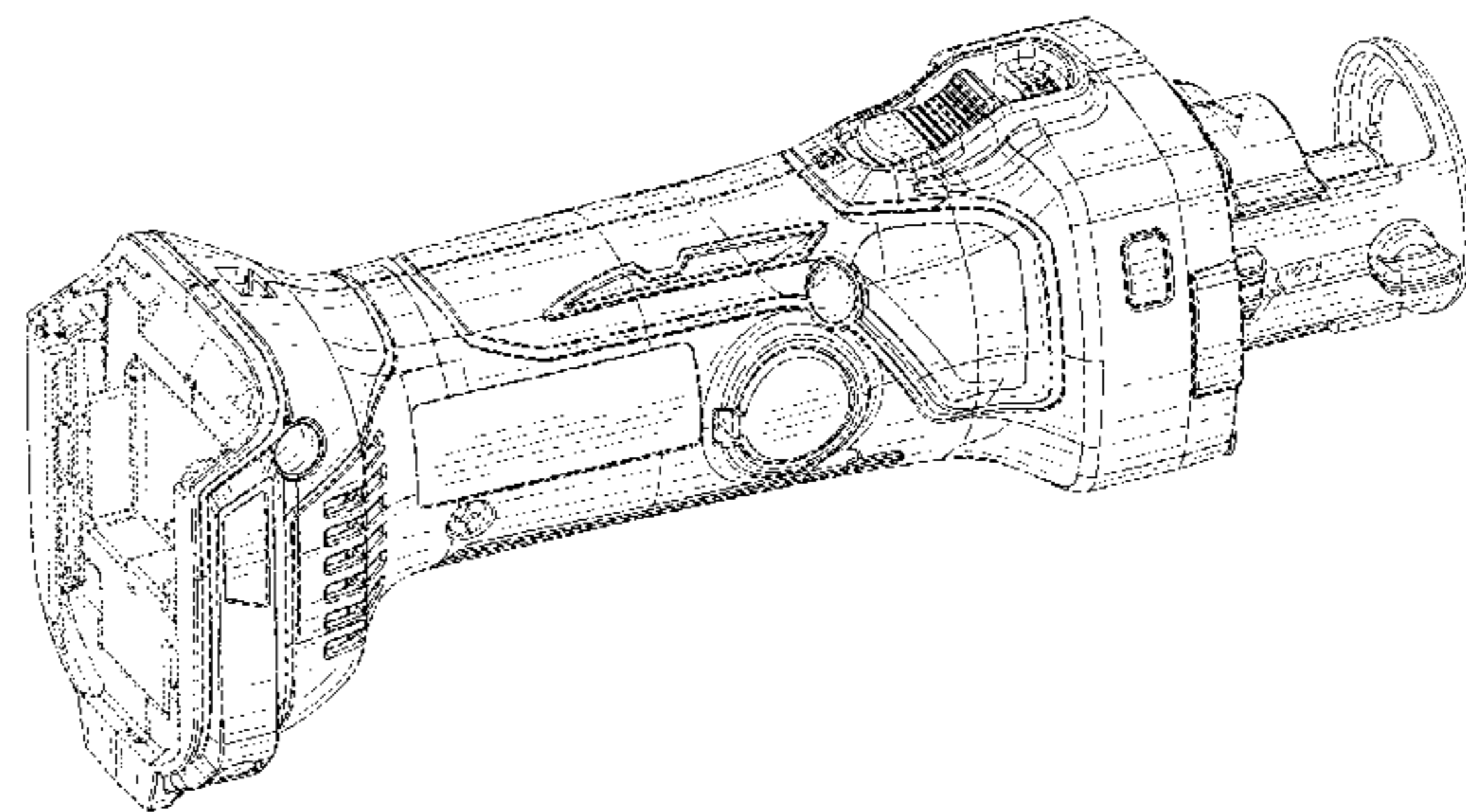
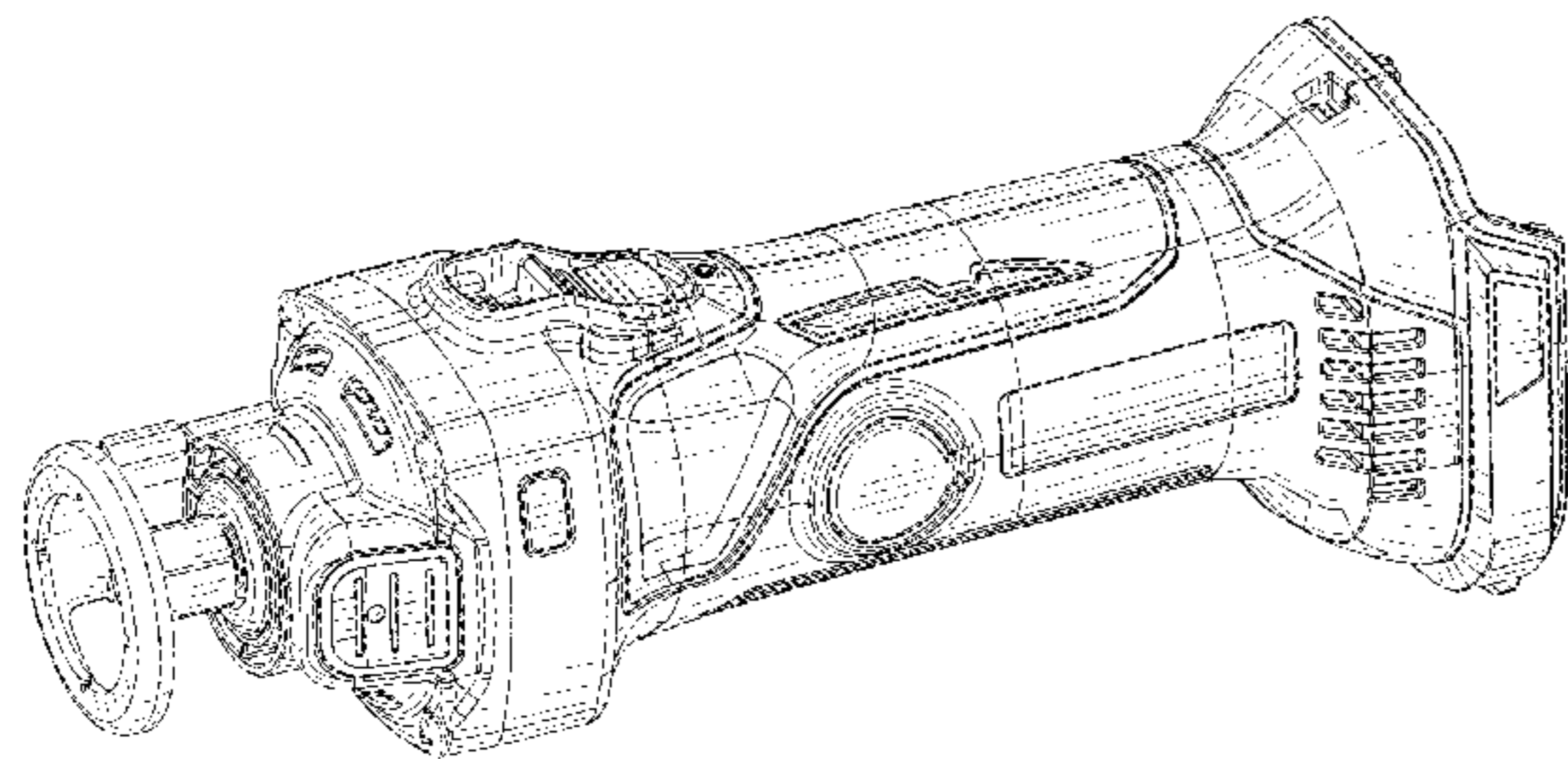
(57) **CLAIM**

The ornamental design for a portable electric cutout tool, as shown and described.

DESCRIPTION

FIG. 1 is a front perspective view of a portable electric cutout tool in accordance with our new design;
 FIG. 2 is a rear perspective view of the portable electric cutout tool in accordance with our new design;
 FIG. 3 is a front elevational view of the portable electric cutout tool in accordance with our new design;
 FIG. 4 is a rear elevational view of the portable electric cutout tool in accordance with our new design;
 FIG. 5 is a top plan view of the portable electric cutout tool in accordance with our new design;
 FIG. 6 is a bottom plan view of the portable electric cutout tool in accordance with our new design;
 FIG. 7 is a right side elevational view of the portable electric cutout tool in accordance with our new design;
 FIG. 8 is a left side elevational view of the portable electric cutout tool in accordance with our new design; and,
 FIG. 9 is a front perspective view, similar to FIG. 1 of the portable electric cutout tool in accordance with our new design illustrating a state in which a rechargeable battery is attached to the portable electric cutout tool.
 The broken line showing of environment forms no part of the claimed design.

1 Claim, 8 Drawing Sheets



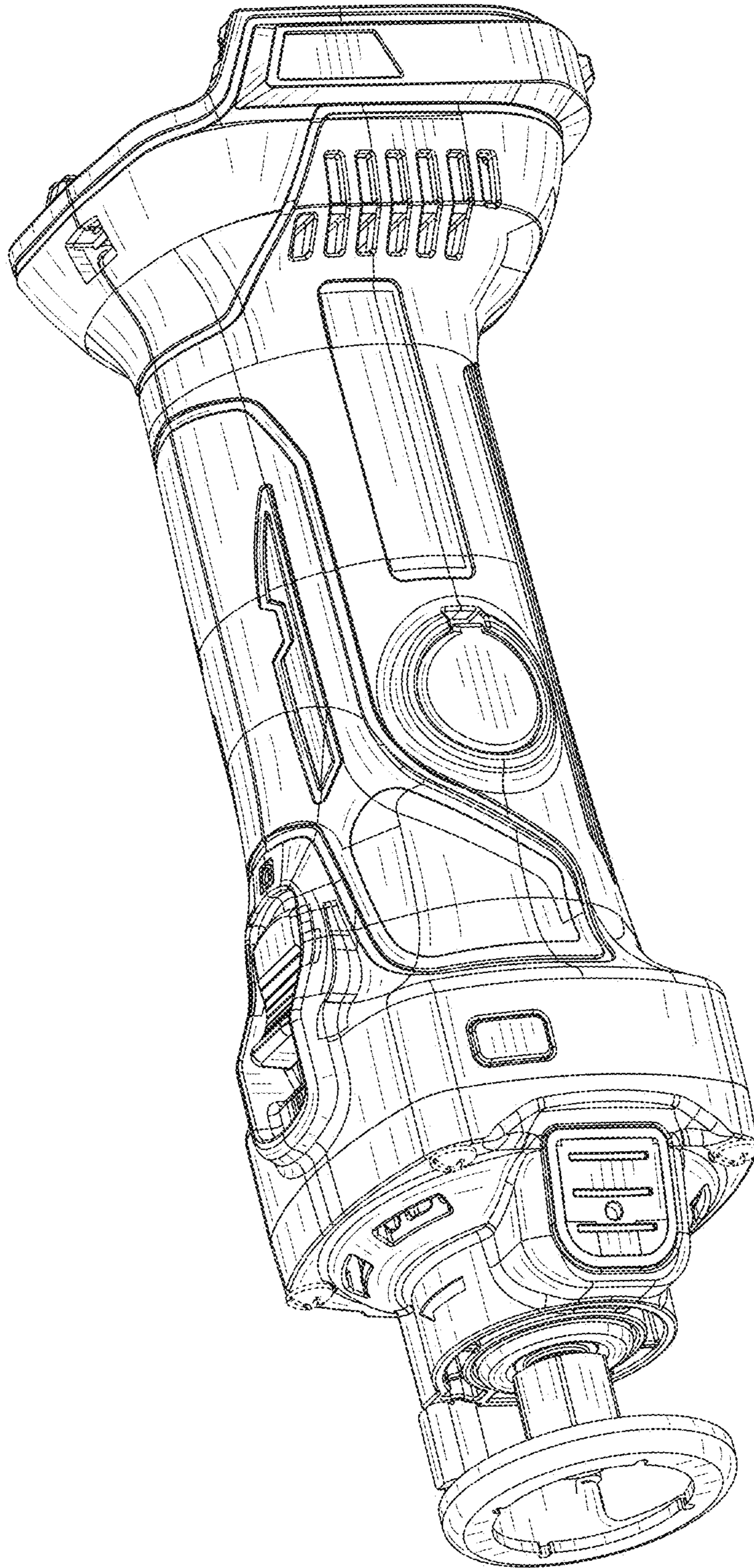


FIG. 1

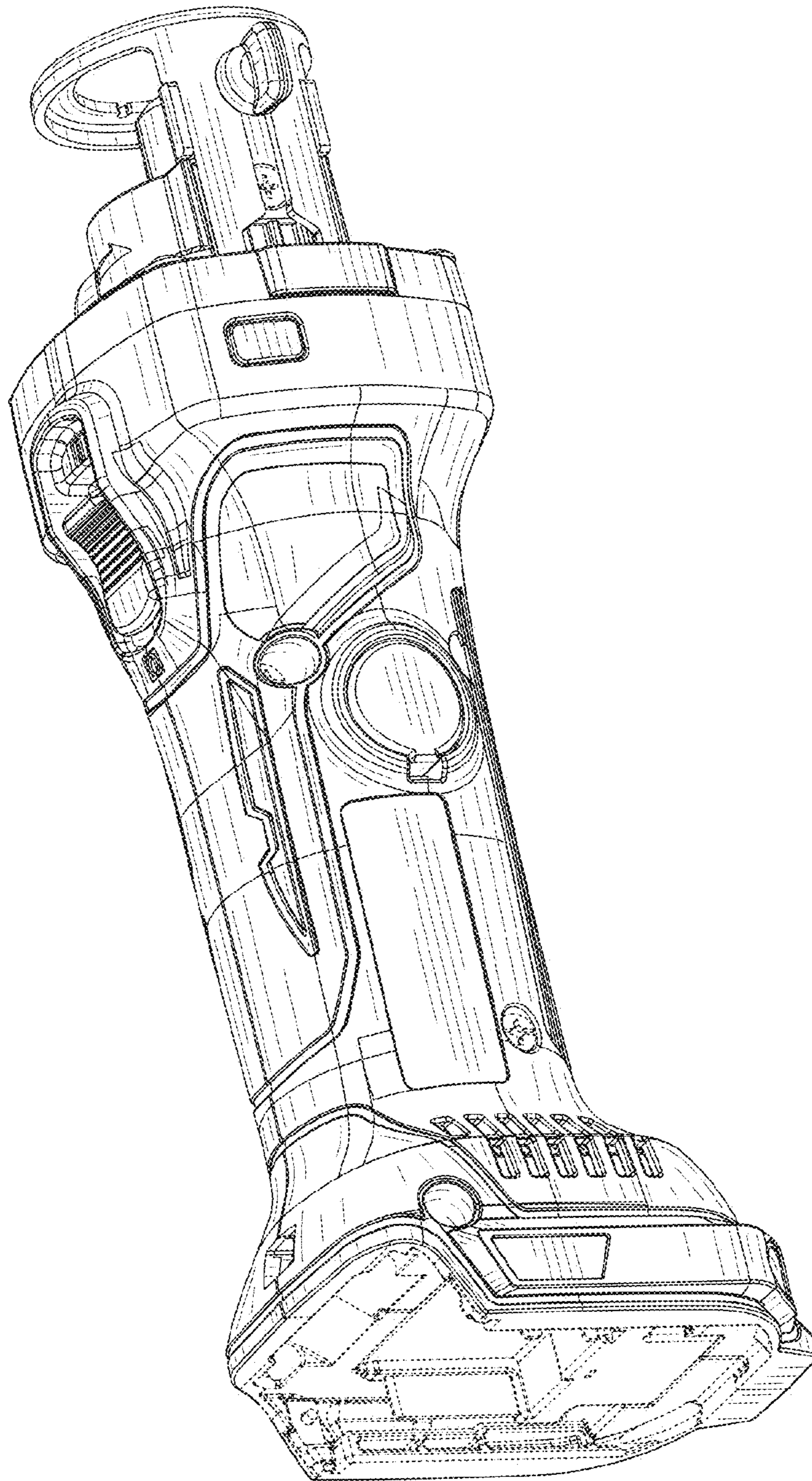


FIG. 2

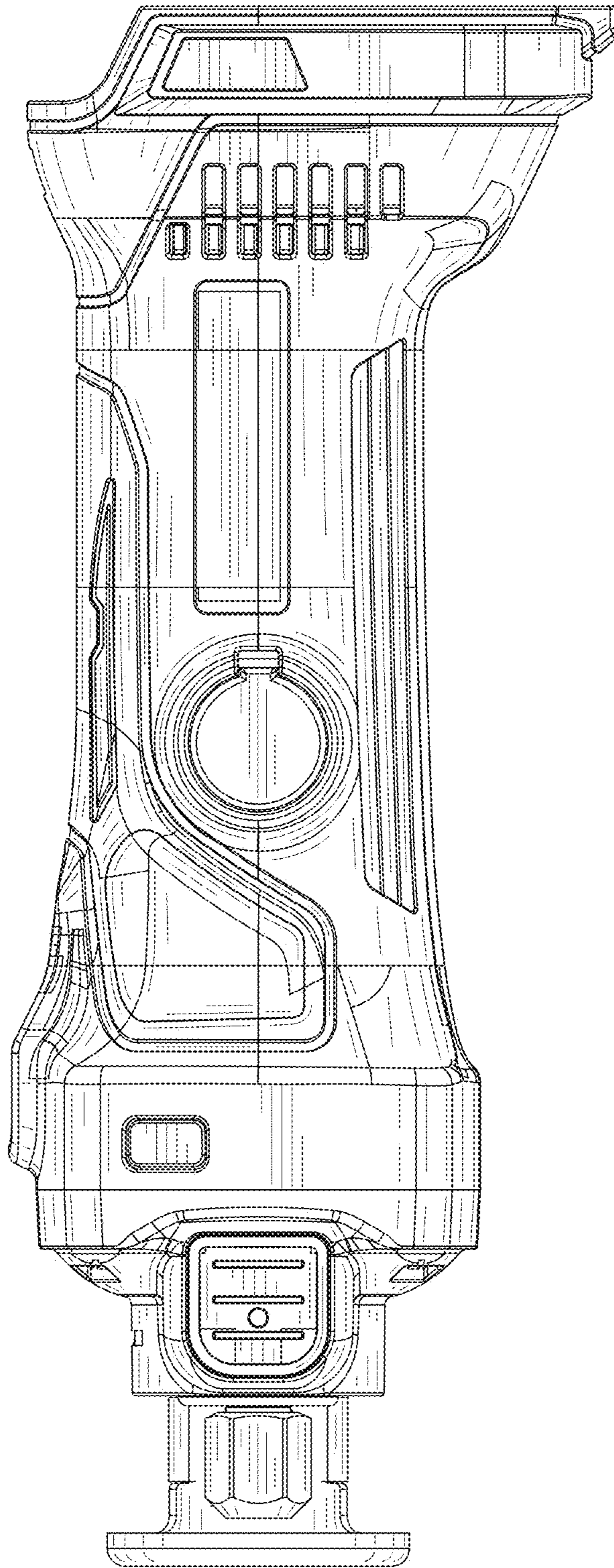


FIG. 3

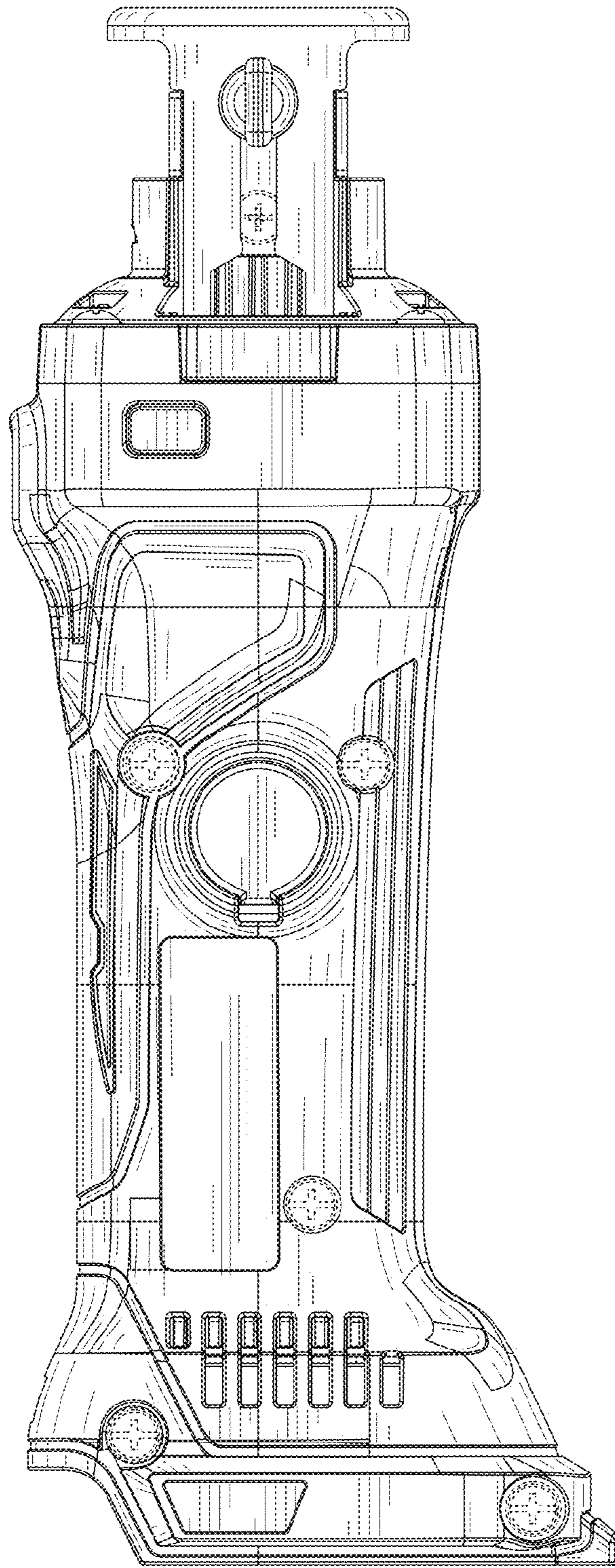


FIG. 4

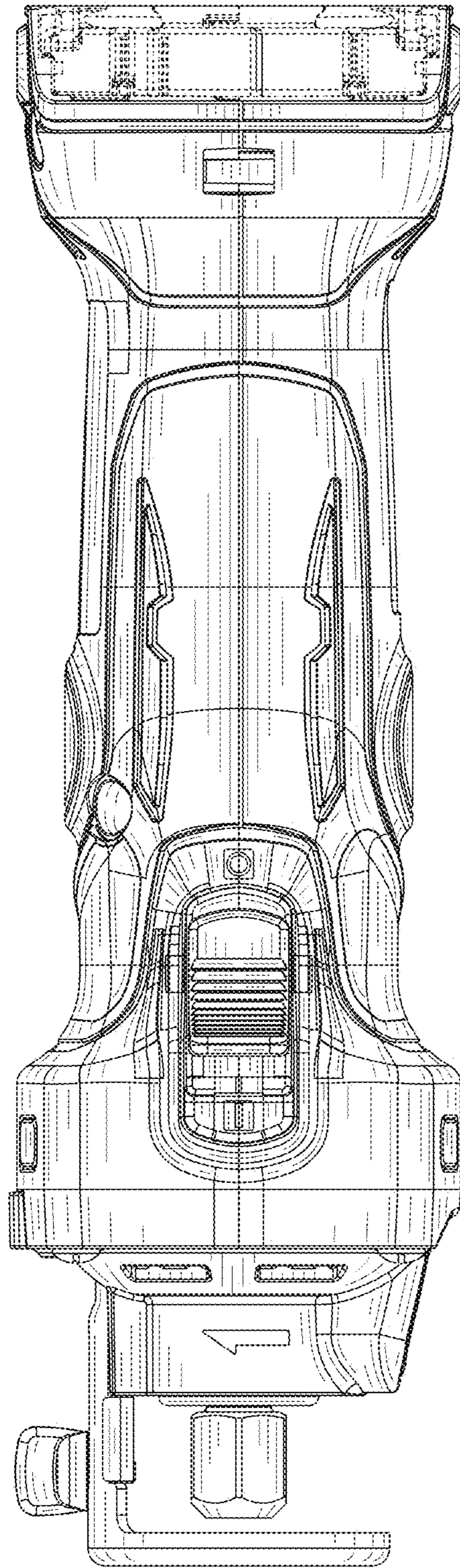


FIG. 5

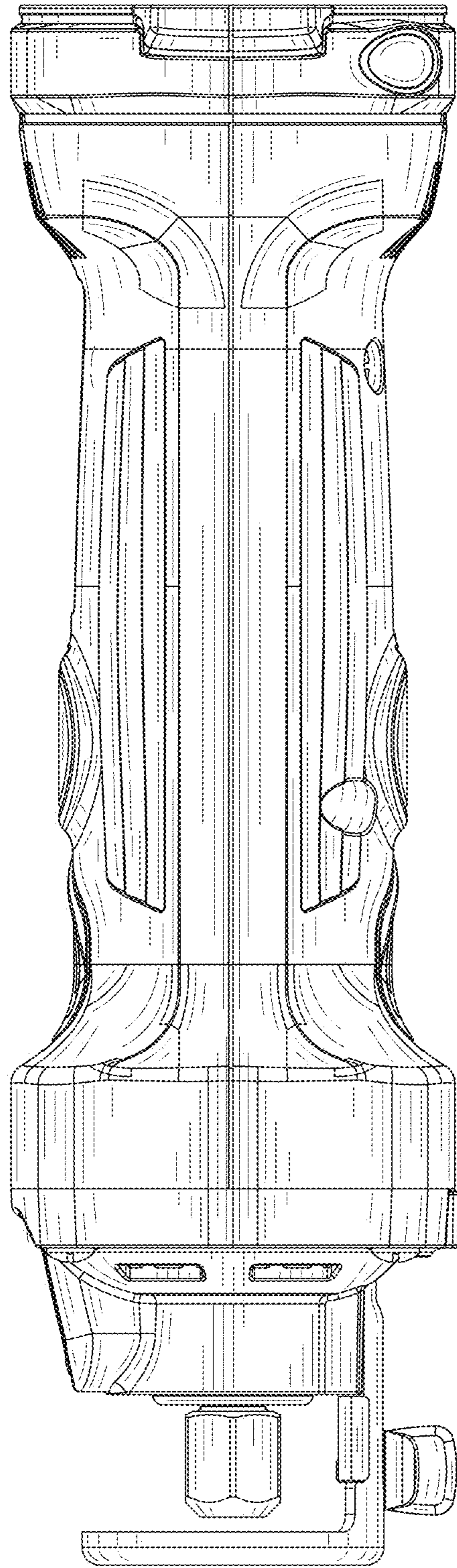


FIG. 6

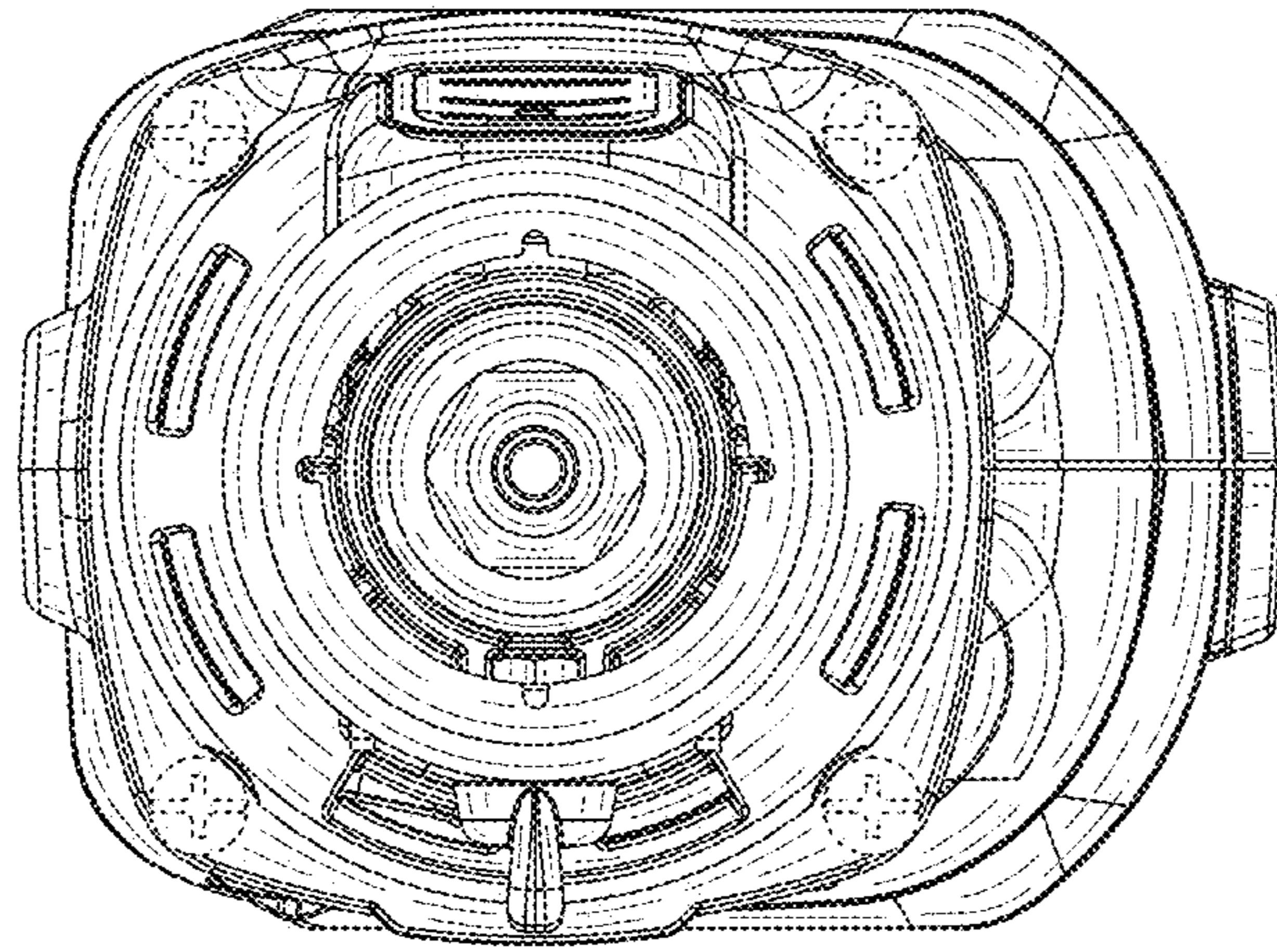


FIG. 8

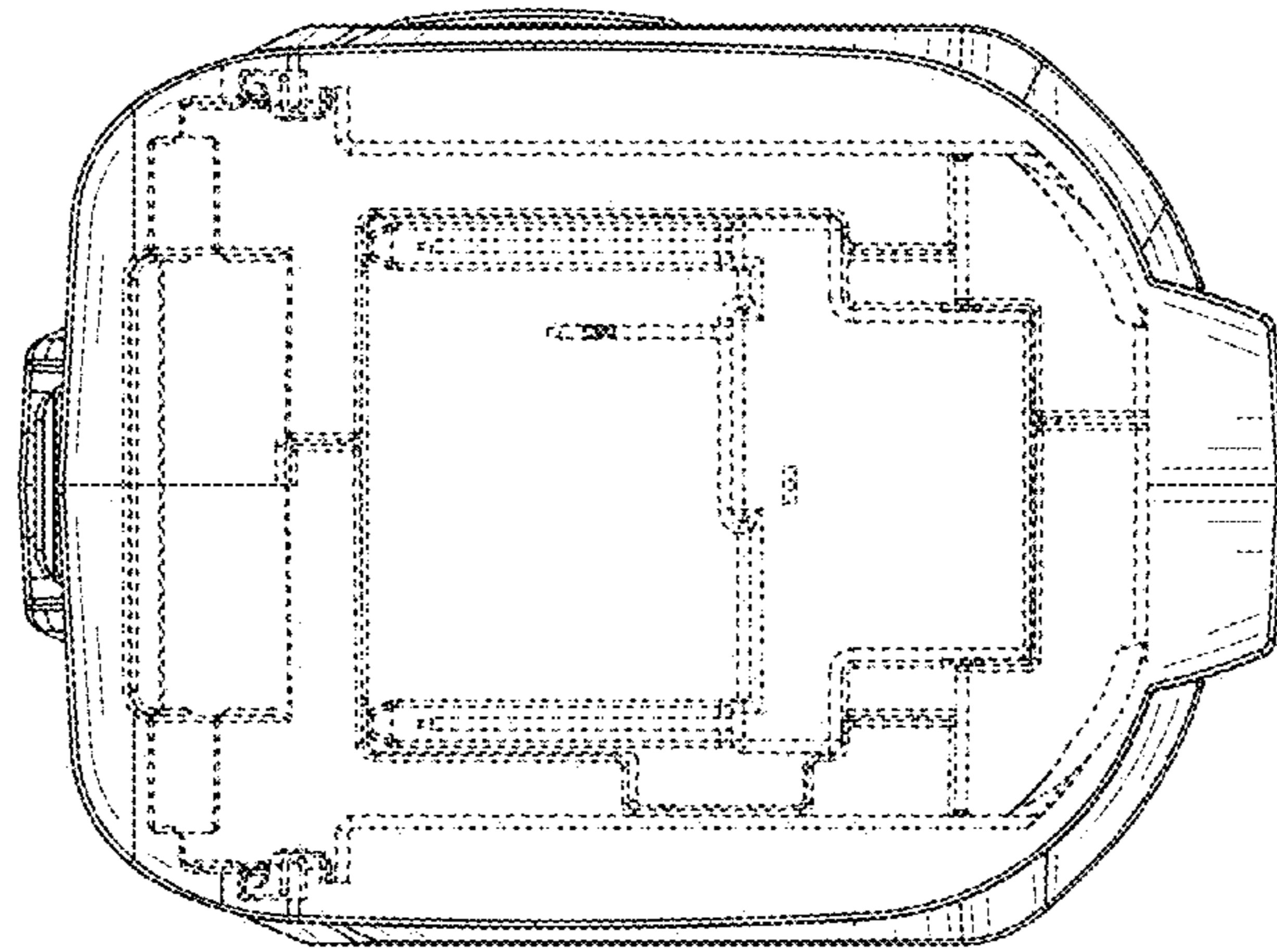


FIG. 7

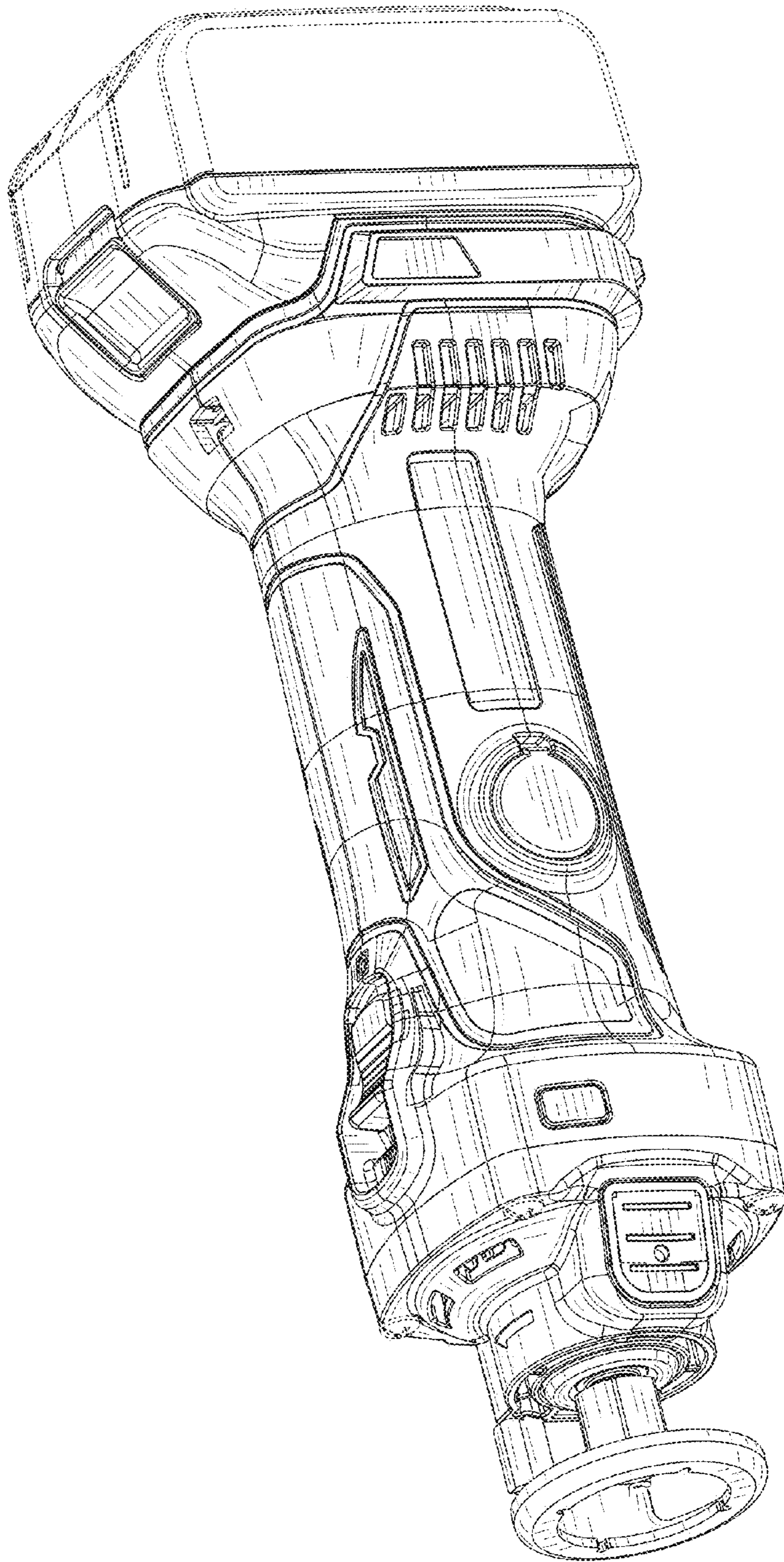


FIG. 9