



US00D709746S

(12) **United States Design Patent**
Marks et al.

(10) **Patent No.:** **US D709,746 S**

(45) **Date of Patent:** **** *Jul. 29, 2014**

(54) **COMPACT MOTORIZED DESKTOP STAPLER**

(71) Applicants: **Joel Marks**, Sherman Oaks, CA (US);
Surapon Arleekul, Sherman Oaks, CA (US)

(72) Inventors: **Joel Marks**, Sherman Oaks, CA (US);
Surapon Arleekul, Sherman Oaks, CA (US)

(*) Notice: This patent is subject to a terminal disclaimer.

(**) Term: **14 Years**

(21) Appl. No.: **29/463,102**

(22) Filed: **Jul. 26, 2013**

(51) **LOC (10) Cl.** **19-02**

(52) **U.S. Cl.**
USPC **D8/50**

(58) **Field of Classification Search**
USPC D8/48, 49, 50, 61, 68, 69, 70; D19/72,
D19/73, 65, 69; D21/532; D24/145; 7/158,
7/160; 227/4, 5, 6, 7, 8, 120, 127, 128,
227/131, 132, 134, 144, 156, 175.1;
606/139, 143, 153, 219
See application file for complete search history.

(56) **References Cited**

U.S. PATENT DOCUMENTS

D475,905 S *	6/2003	Kroger	D8/50
D512,617 S *	12/2005	Adams et al.	D8/50
D512,890 S *	12/2005	Harris	D8/50

D515,893 S *	2/2006	Adams et al.	D8/50
D516,888 S *	3/2006	Harris et al.	D8/50
D522,825 S *	6/2006	Adams et al.	D8/50
D535,168 S *	1/2007	Hattori	D8/50
7,311,235 B2 *	12/2007	Aoki	227/7
D581,230 S *	11/2008	Cunningham et al.	D8/50
D581,757 S *	12/2008	Sandy	D8/50
D647,376 S *	10/2011	Yuan	D8/50
D647,377 S *	10/2011	Yuan	D8/50
D679,562 S *	4/2013	Smith et al.	D8/50
2002/0158101 A1 *	10/2002	Huang	227/7
2002/0166884 A1 *	11/2002	Luo	227/131

* cited by examiner

Primary Examiner — Austin Murphy

(57) **CLAIM**

We claim the ornamental design for a compact motorized desktop stapler, as shown and described.

DESCRIPTION

FIG. 1 is a right side perspective view of a compact motorized desktop stapler showing our new design;
FIG. 2 is a right side elevational view showing our new design;
FIG. 3 is a left side elevational view showing our new design;
FIG. 4 is a top plan view showing our new design;
FIG. 5 is a bottom plan view showing our new design;
FIG. 6 is a rear elevational view showing our new design; and,
FIG. 7 is a front elevational view of showing our new design.
The broken lines shown in FIGS. 2 through 7 represent unclaimed portions of the compact motorized desktop stapler and form no part of the claimed design.

1 Claim, 5 Drawing Sheets

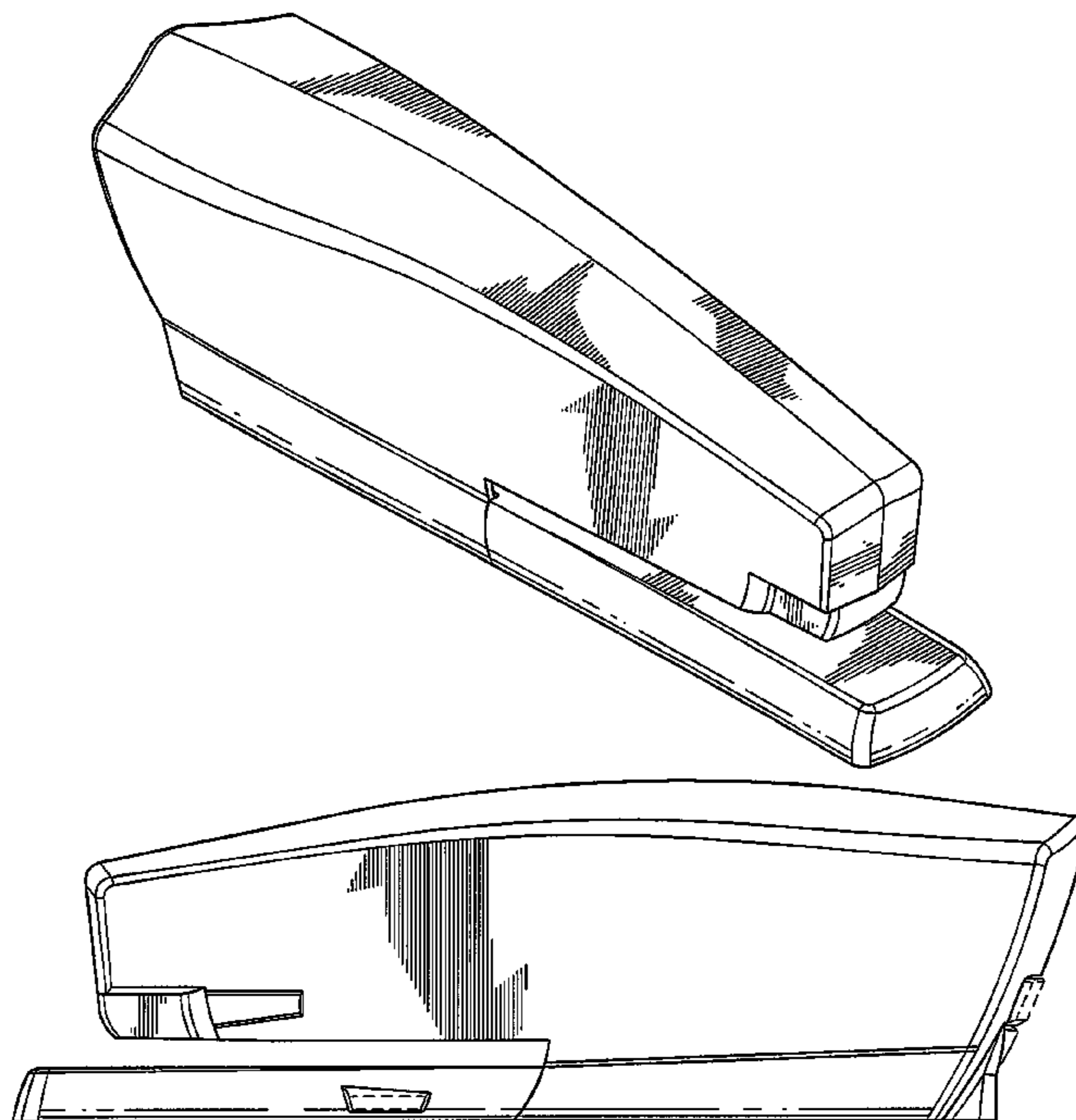


FIG. 1

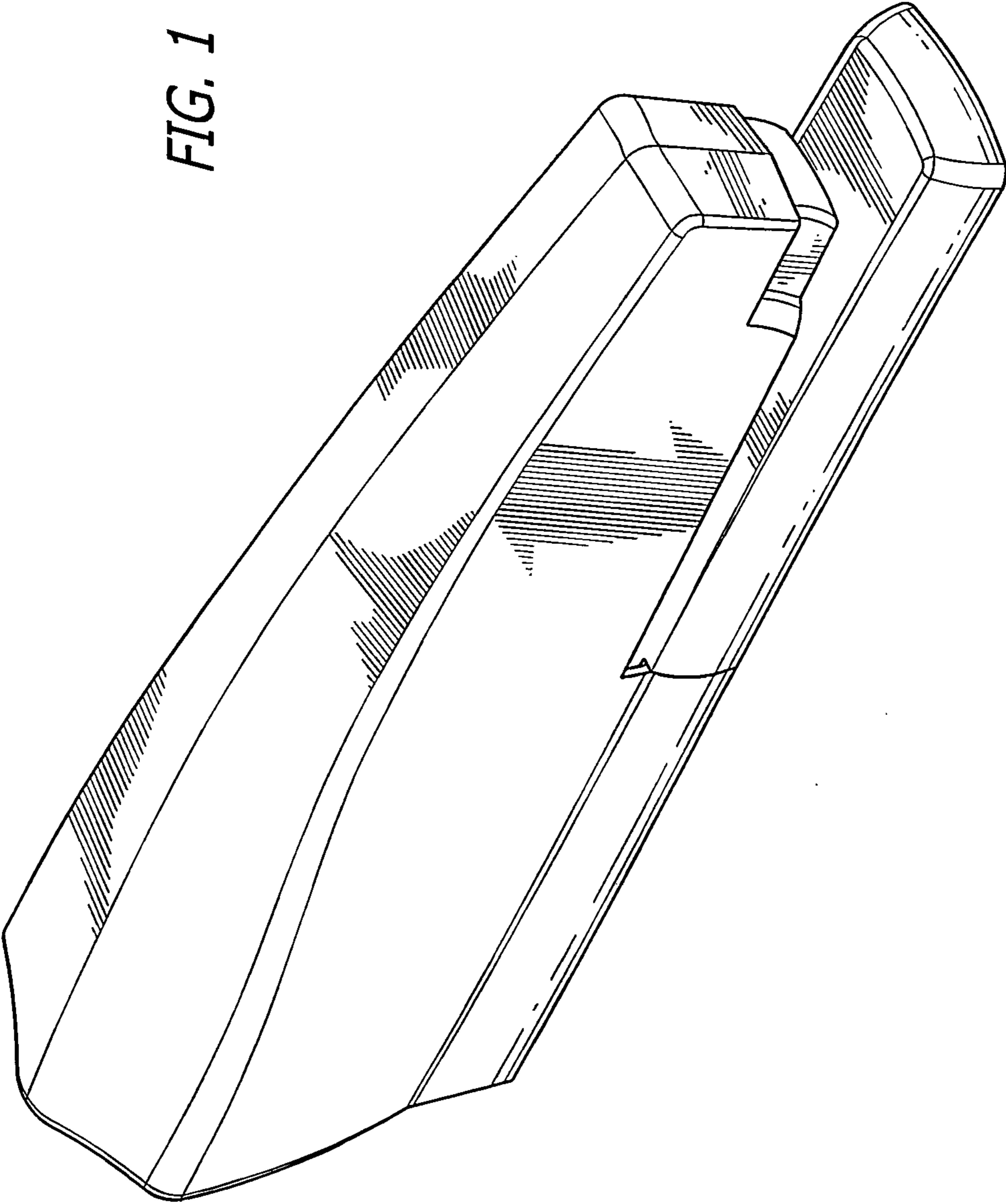


FIG. 2

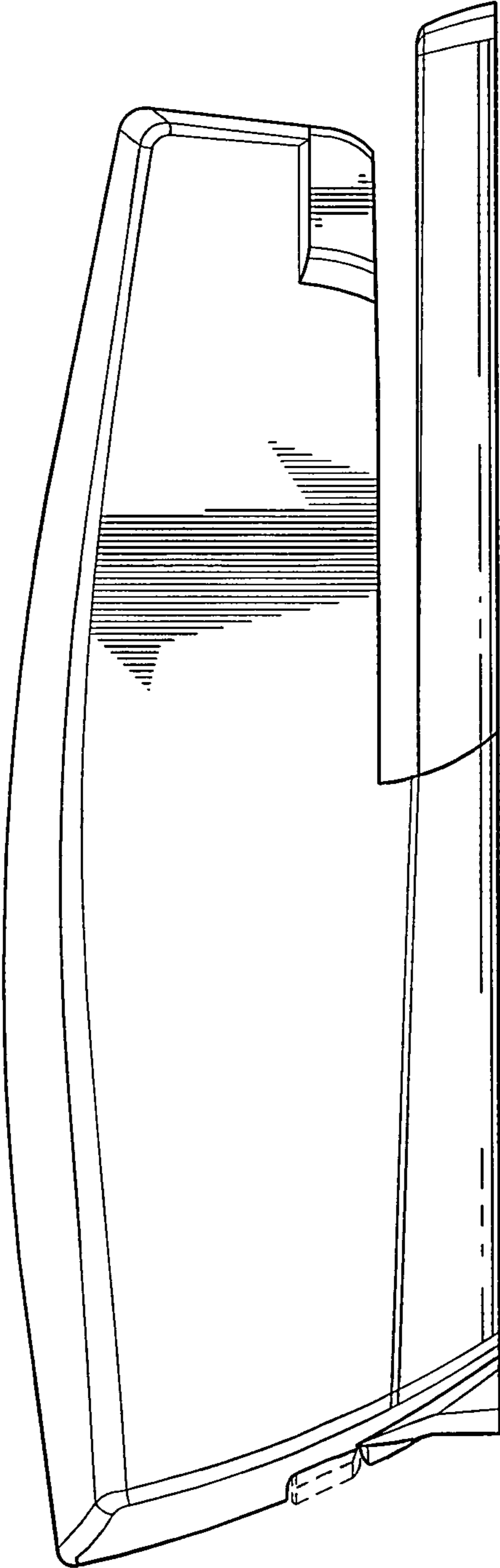
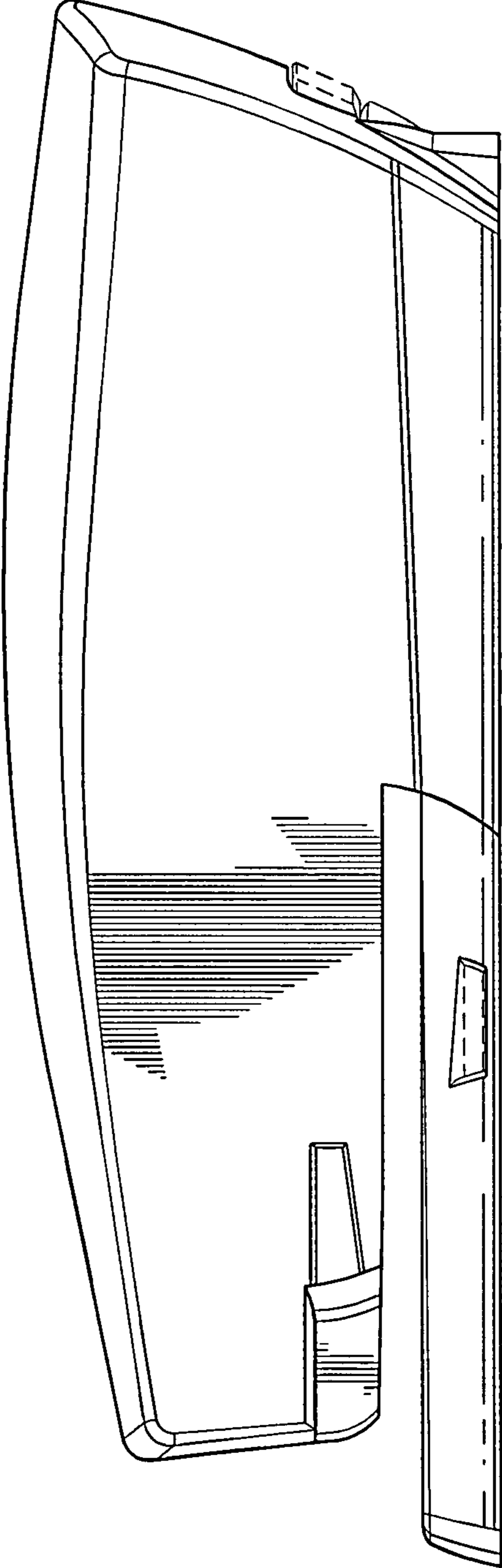


FIG. 3



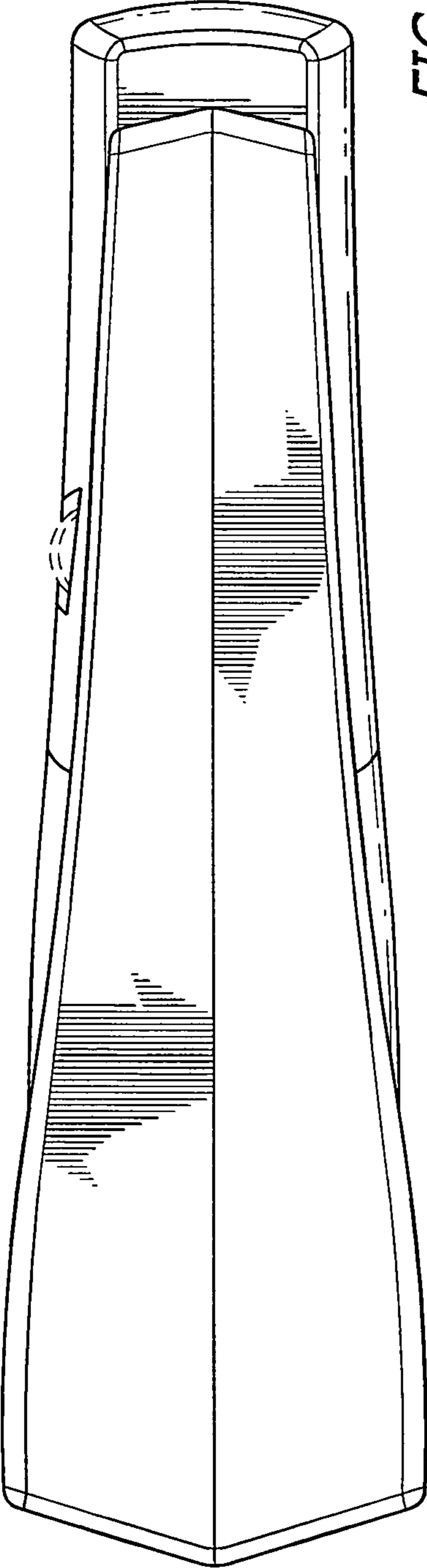


FIG. 4

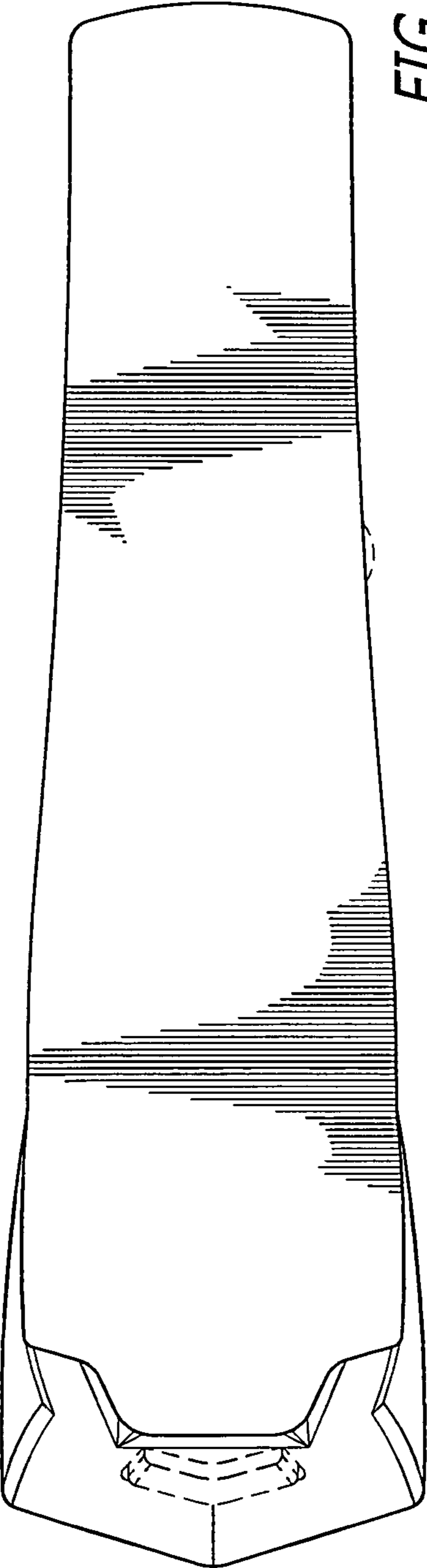


FIG. 5

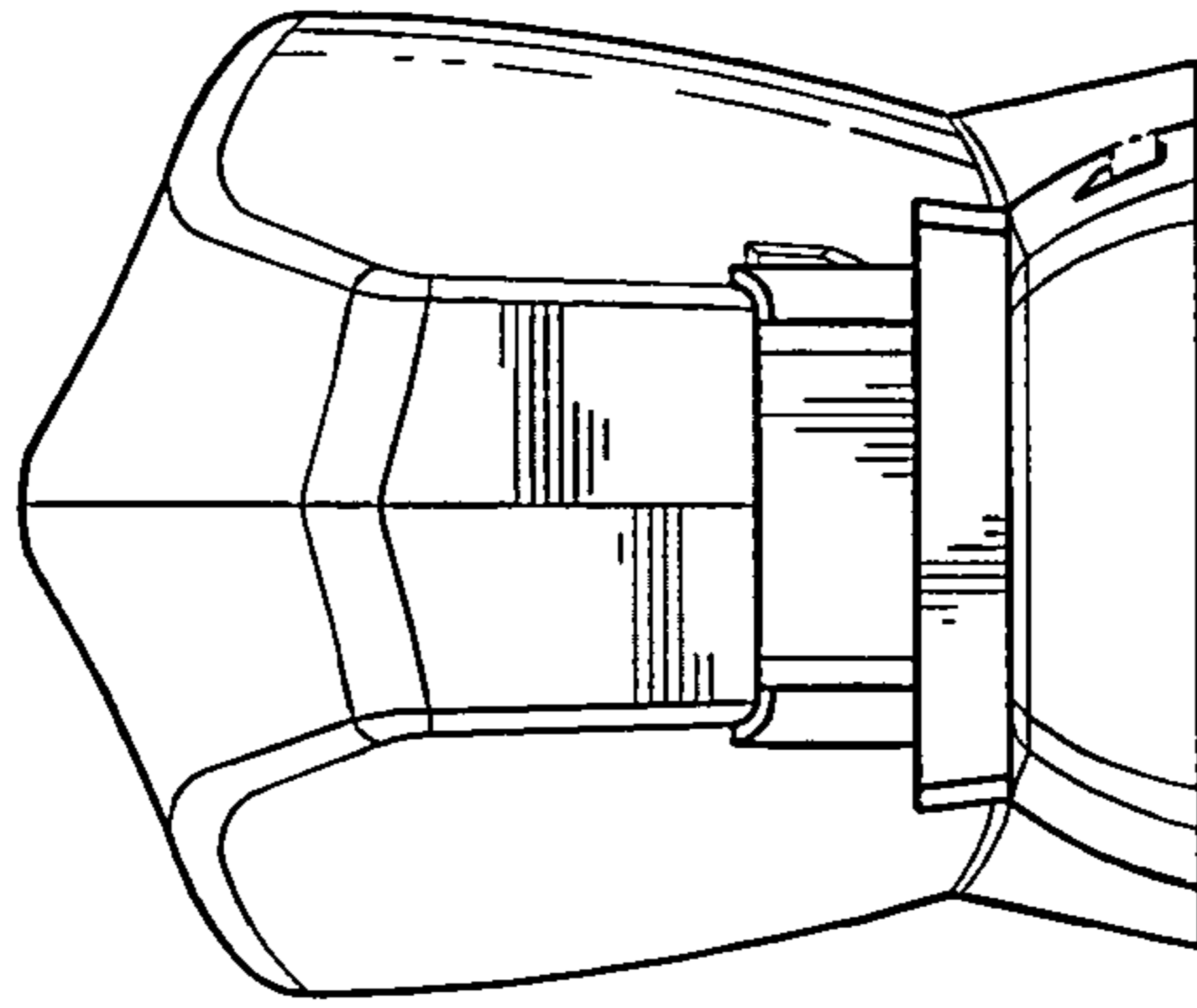


FIG. 7

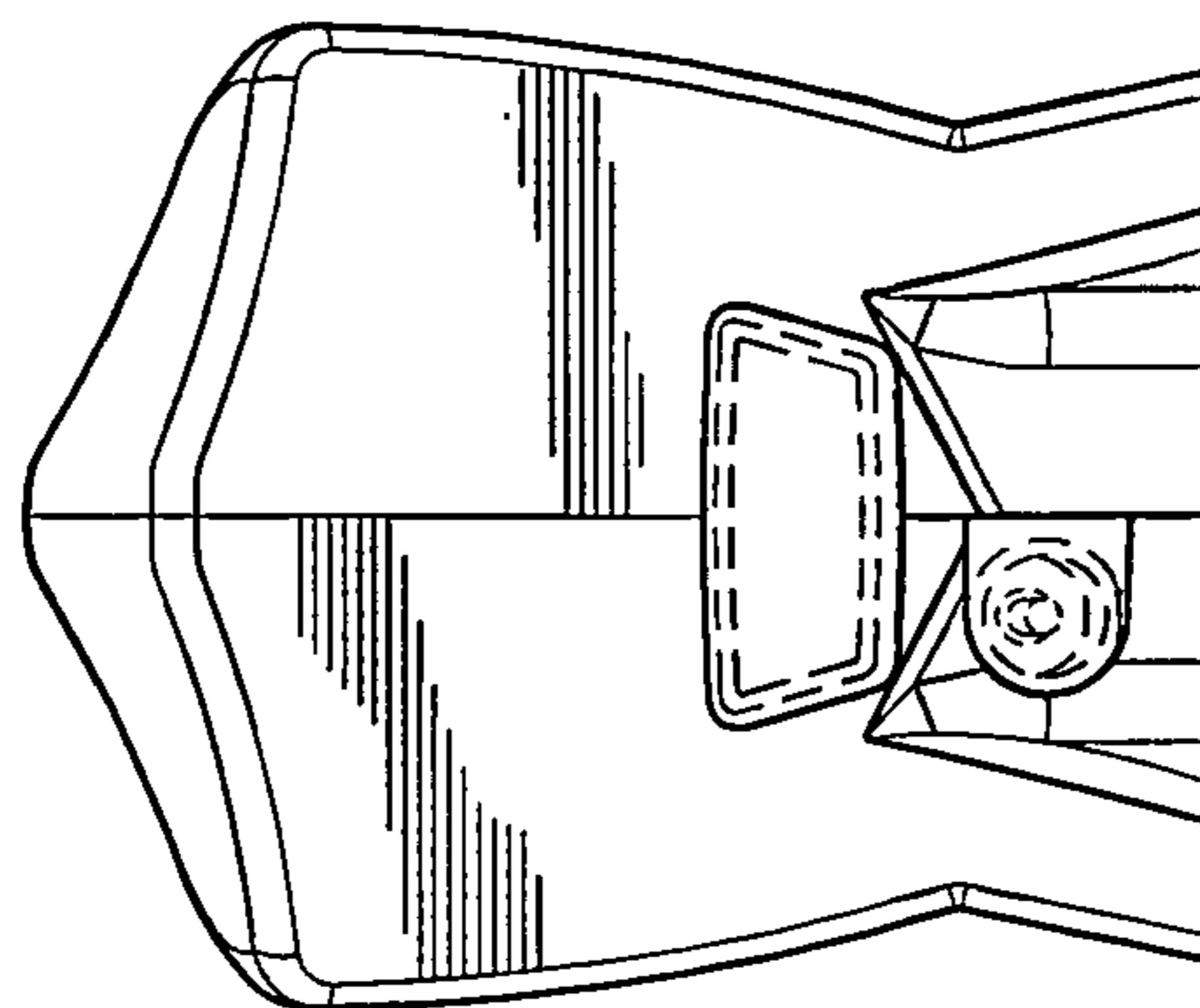


FIG. 6