



US00D709745S

(12) **United States Design Patent**
Radwill et al.

(10) **Patent No.:** **US D709,745 S**
(45) **Date of Patent:** **** Jul. 29, 2014**

(54) **HEAT GUN**
(71) Applicant: **Master Appliance Corporation**, Racine, WI (US)
(72) Inventors: **Arthur Scott Radwill**, Racine, WI (US); **Paul Monet**, Brookfield, WI (US); **Daniel John De Lay**, Muskego, WI (US); **Mark Lester Brennerman**, Burlington, WI (US)

4,683,370 A * 7/1987 Petersen et al. 392/385
D296,070 S * 6/1988 Cunningham D8/29.1
4,951,846 A * 8/1990 Oster et al. 222/146.5
D315,852 S * 4/1991 Nusse et al. D8/30
D316,019 S * 4/1991 Belanger D8/30
D316,506 S * 4/1991 Nusse et al. D8/30
D325,154 S * 4/1992 King et al. D8/30
5,105,987 A * 4/1992 Quinn et al. 222/146.5
5,169,225 A * 12/1992 Palm 362/118
D334,876 S * 4/1993 Swetish D8/29.1

(Continued)

(73) Assignee: **Master Appliance Corporation**, Racine, WI (US)

(**) Term: **14 Years**

(21) Appl. No.: **29/433,840**

(22) Filed: **Oct. 5, 2012**

(51) **LOC (10) Cl.** **08-05**

(52) **U.S. Cl.**
USPC **D8/29.1**

(58) **Field of Classification Search**
USPC D8/14.1, 29.1, 29.2, 30, 69, 70;
D15/144, 144.1, 144.2, 150, 151;
D23/332; D28/13, 18; 219/368-370;
392/369, 384-385

See application file for complete search history.

(56) **References Cited**

U.S. PATENT DOCUMENTS

2,310,166 A * 2/1943 Way 362/119
2,525,588 A * 10/1950 Cameron et al. 362/119
D280,072 S * 8/1985 Dziki D8/61
4,552,287 A * 11/1985 Dziki 222/146.5
4,621,748 A * 11/1986 Dziki 222/146.5
4,629,864 A * 12/1986 Wilson 392/385
D288,472 S * 2/1987 Miller et al. D23/332
4,658,991 A * 4/1987 Dziki 222/146.5

OTHER PUBLICATIONS

Master Appliance® Proheat® STC™ Heat Gun. Downloaded from <http://www.masterappliance.com/content/proheat®-stc™-heat-gun-0> on Jan. 12, 2014.*

Primary Examiner — Philip S Hyder

Assistant Examiner — Roselynn Cody

(74) *Attorney, Agent, or Firm* — Michael Best & Friedrich LLP

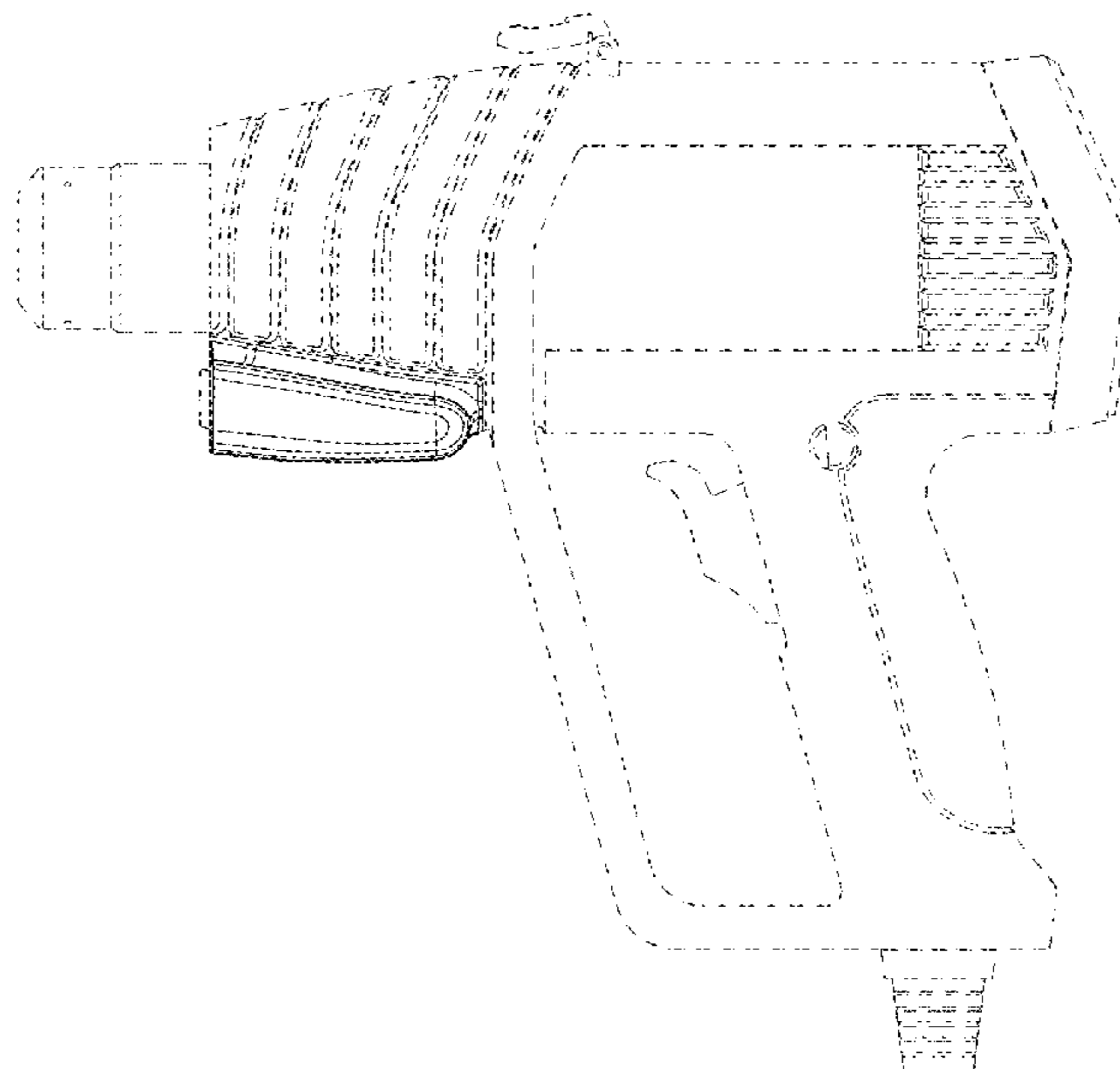
(57) **CLAIM**

I claim the ornamental design for a heat gun, as shown and described in FIGS. 1-7.

DESCRIPTION

FIG. 1 is a perspective view of a heat gun
FIG. 2 is a left side view of the heat gun shown in FIG. 1.
FIG. 3 is a right side view of the heat gun shown in FIG. 1.
FIG. 4 is a front view of the heat gun shown in FIG. 1.
FIG. 5 is a back view of the heat gun shown in FIG. 1.
FIG. 6 is a top view of the heat gun shown in FIG. 1; and,
FIG. 7 is a bottom view of the heat gun shown in FIG. 1.
The elements shown in broken lines are included for the purpose of illustrating environment and form no part of the claimed design.

1 Claim, 7 Drawing Sheets



(56)

References Cited

U.S. PATENT DOCUMENTS

D485,382 S *	1/2004	Palm	D26/38	8,549,428 B2 *	10/2013	Pomper	715/810
7,217,069 B2 *	5/2007	Dils et al.	408/124	2008/0144696 A1 *	6/2008	Bruggeman et al.	374/121
D567,975 S *	4/2008	Wright et al.	D26/37	2008/0181590 A1 *	7/2008	Radwill et al.	392/385
8,136,984 B1 *	3/2012	Heinke	374/121	2013/0188058 A1 *	7/2013	Nguyen et al.	348/164
8,483,990 B2 *	7/2013	Warnke et al.	702/132	2013/0202009 A1 *	8/2013	Murugan et al.	374/121
				2013/0204570 A1 *	8/2013	Mendelson et al.	702/135
				2014/0002668 A1 *	1/2014	Nguyen et al.	348/164

* cited by examiner

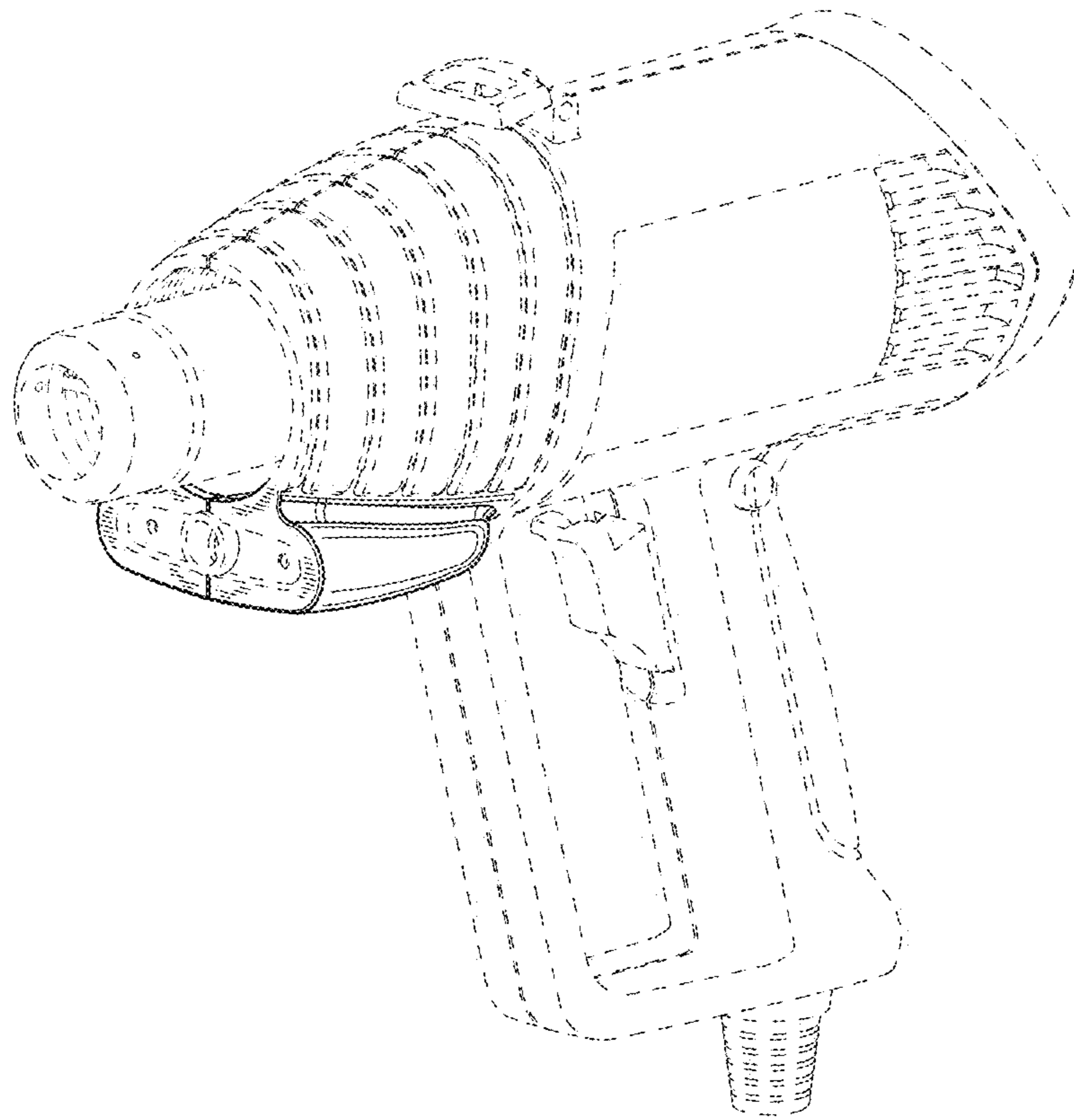


FIG. 1

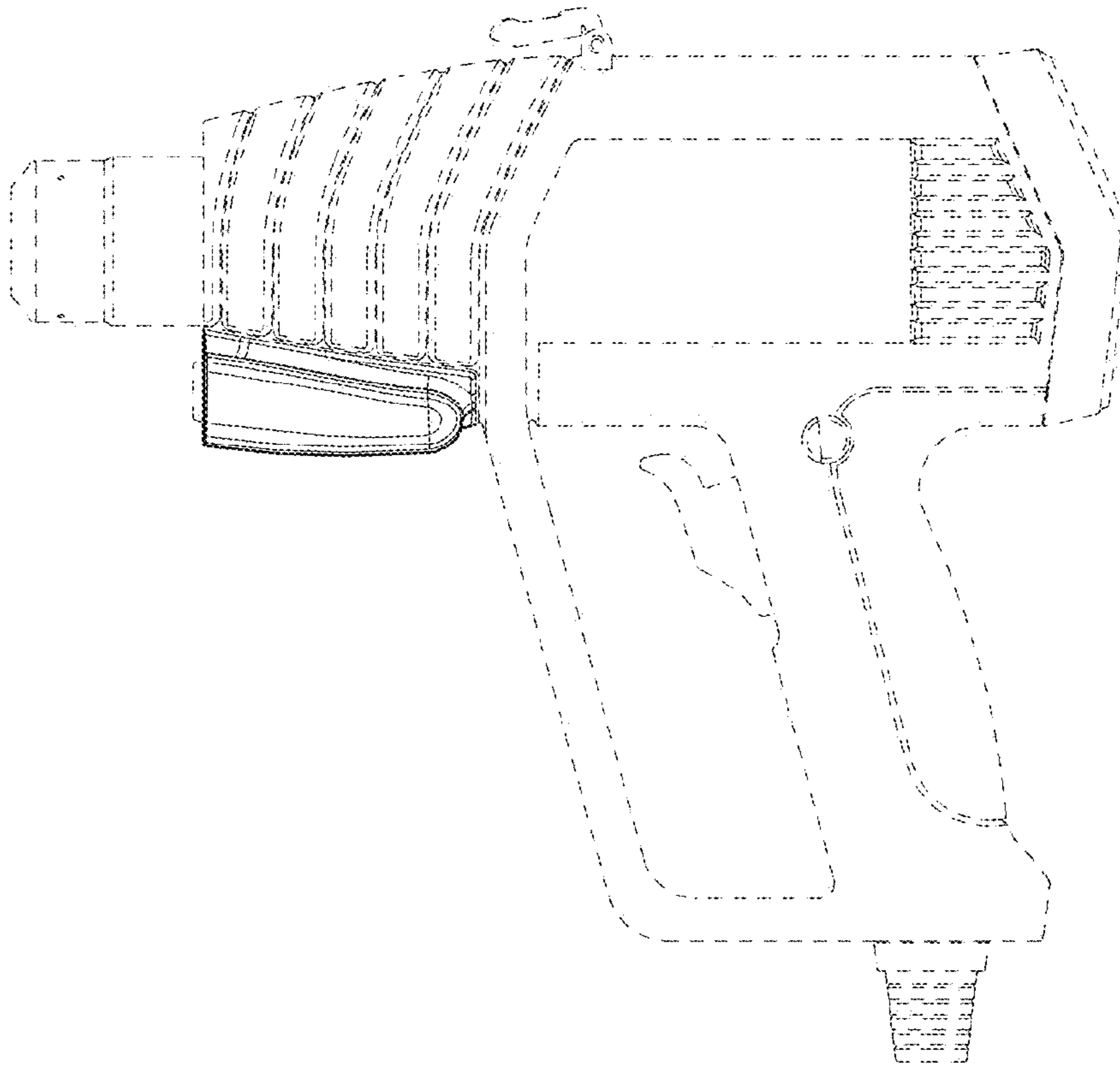


FIG. 2

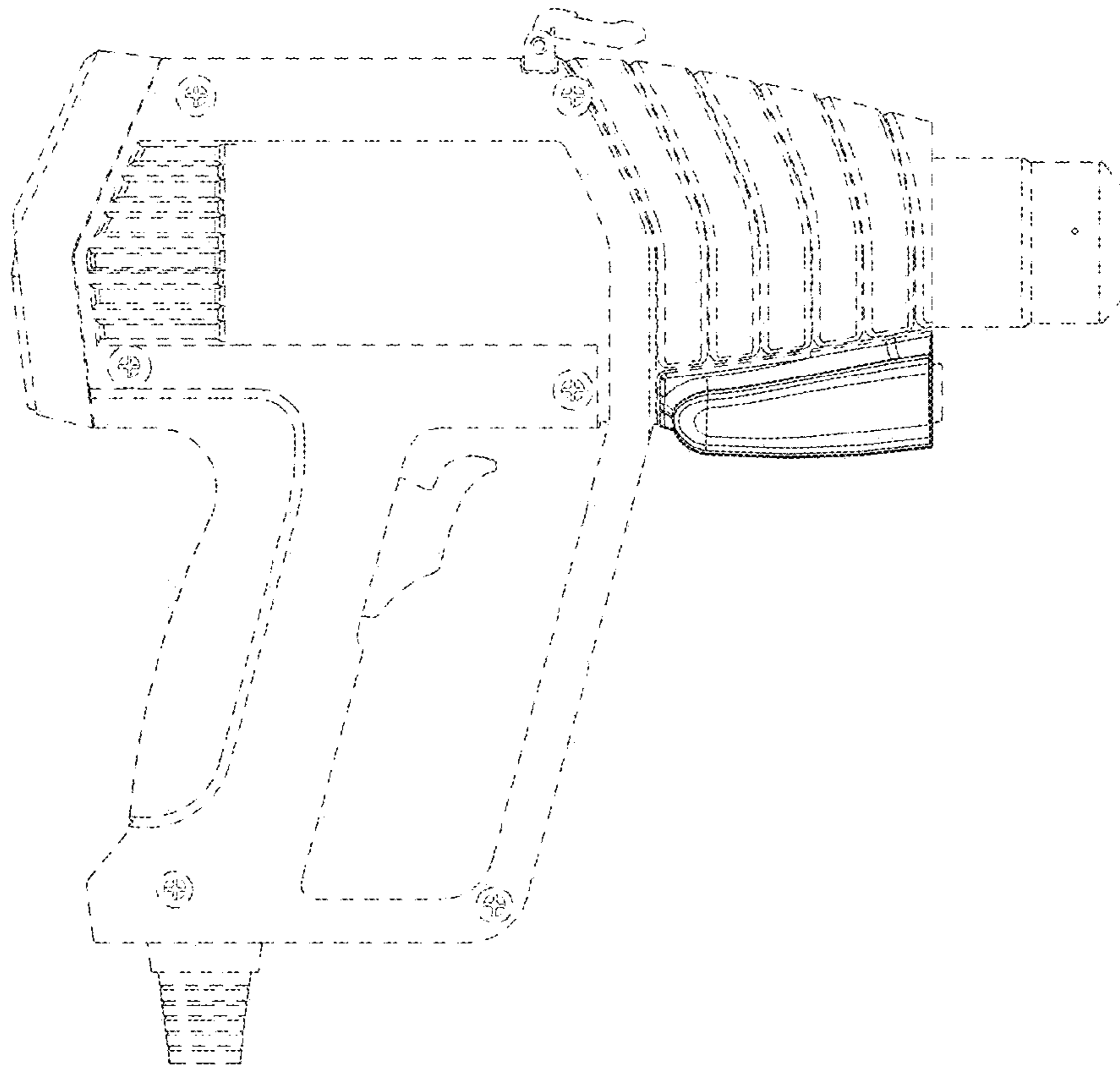


FIG. 3

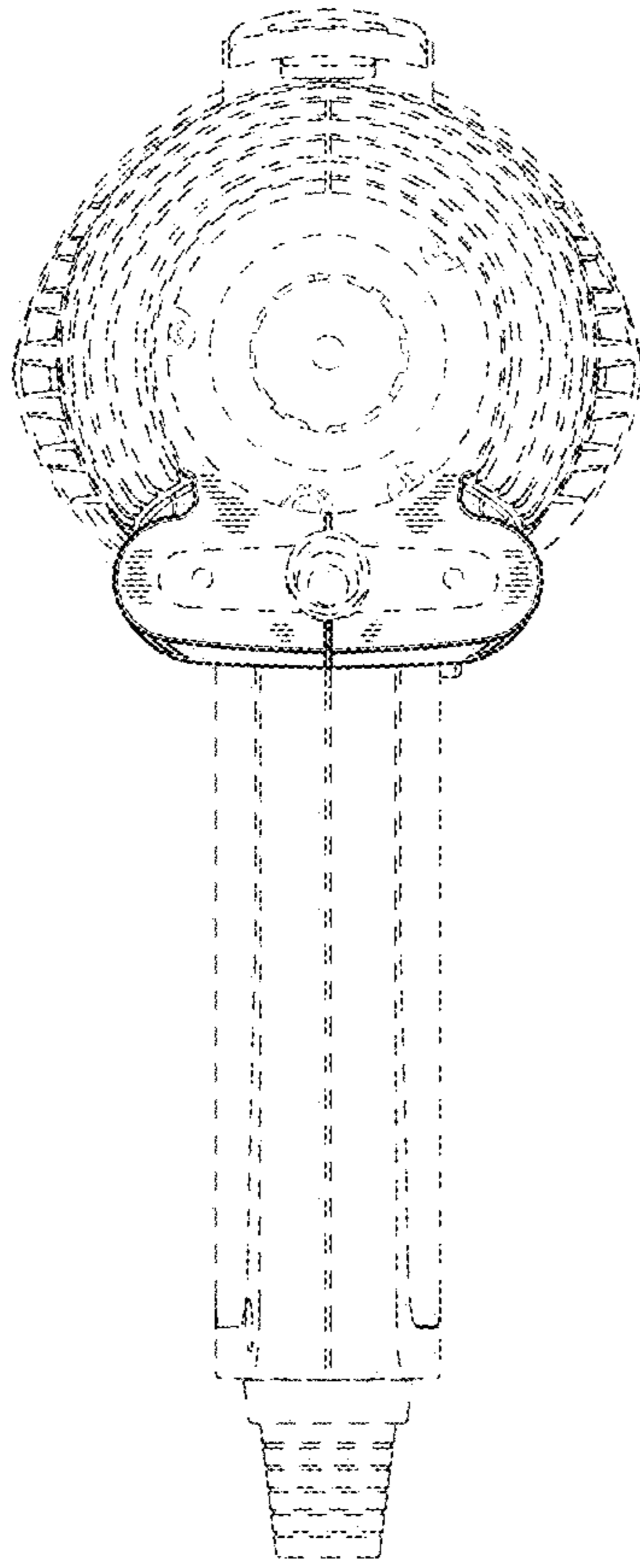


Fig. 4

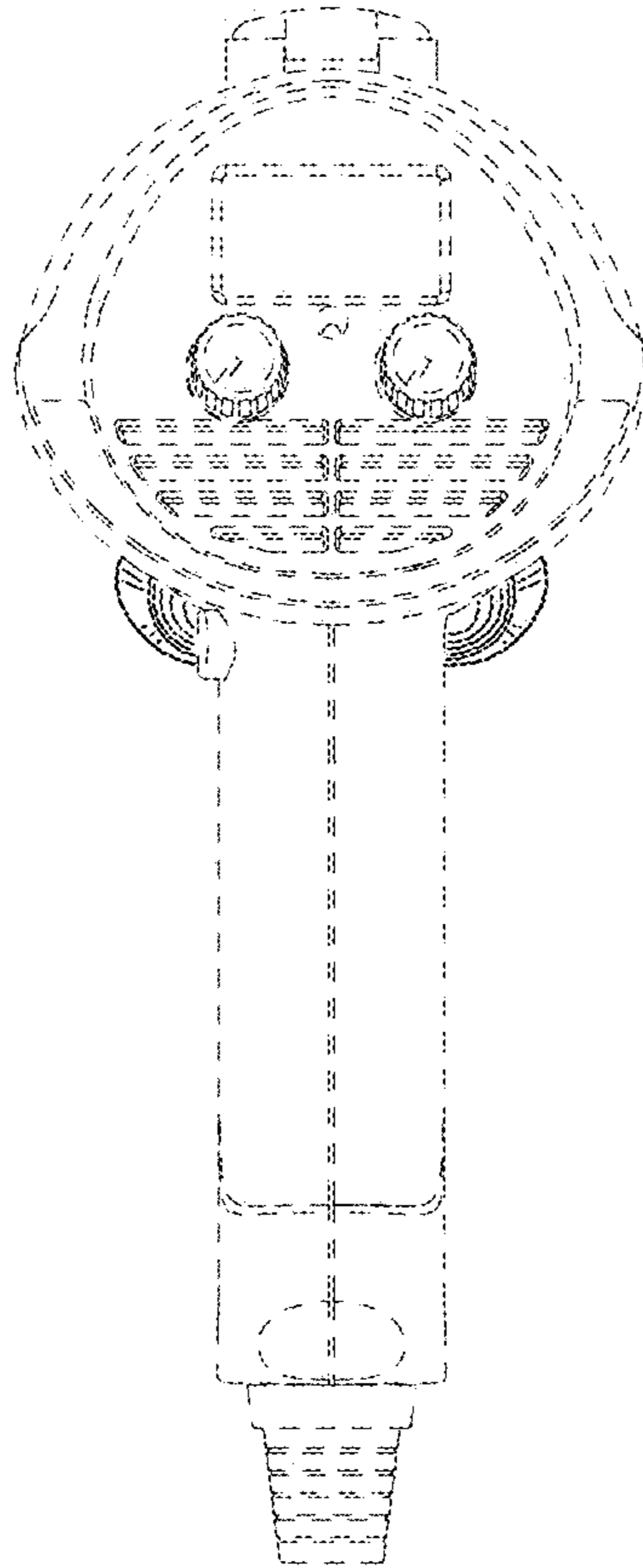


FIG. 5

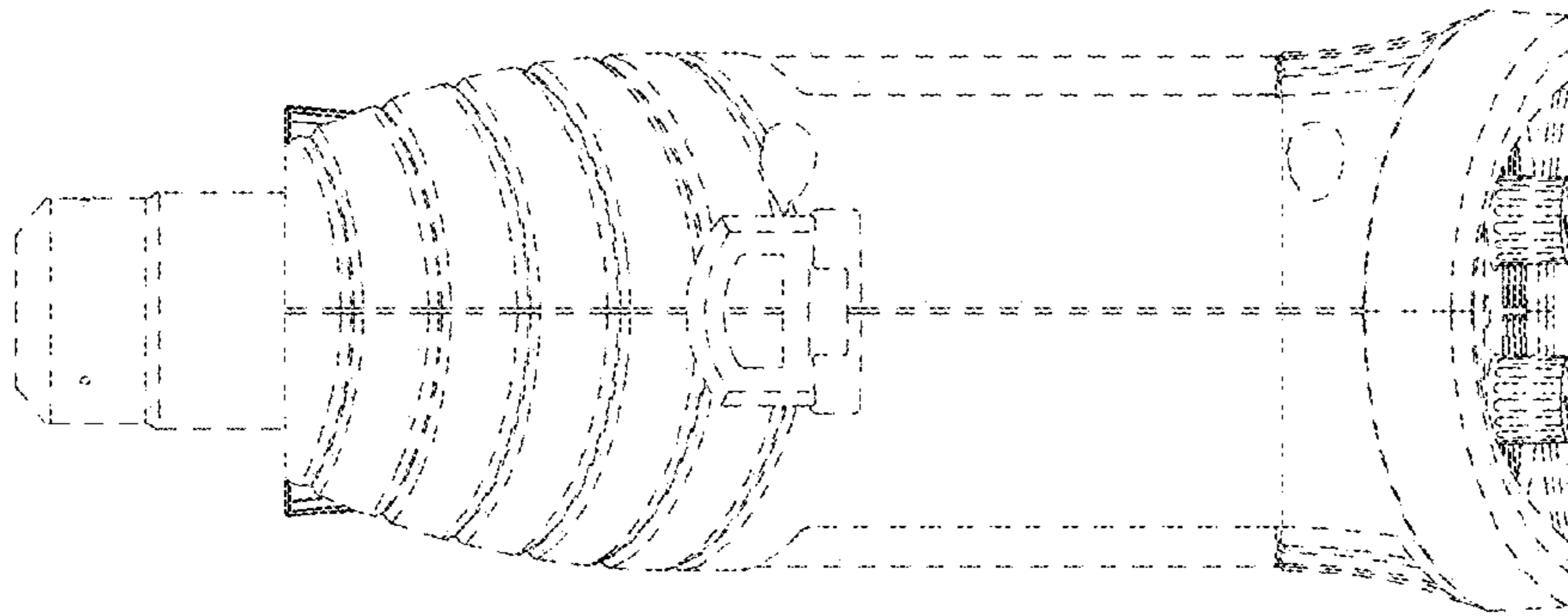


FIG. 6

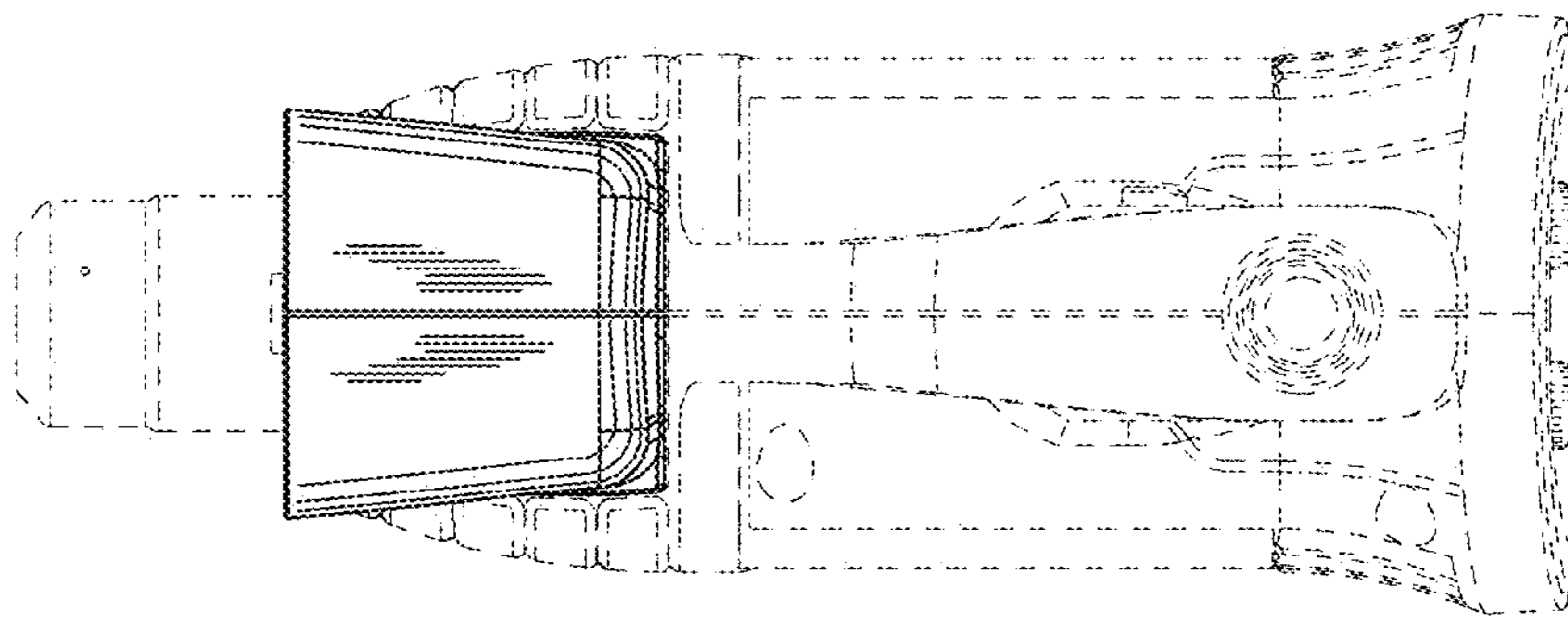


FIG. 7