



US00D709743S

(12) **United States Design Patent**
Tinius

(10) **Patent No.:** **US D709,743 S**

(45) **Date of Patent:** **** Jul. 29, 2014**

(54) **BRUSH CUTTER WITH LOOP HANDLE**

(71) Applicant: **Andreas Stihl AG & Co. KG,**
Waiblingen (DE)

(72) Inventor: **Michael Tinius,** Ulm (DE)

(73) Assignee: **Andreas Stihl AG & Co. KG,**
Waiblingen (DE)

(**) Term: **14 Years**

(21) Appl. No.: **29/452,686**

(22) Filed: **Apr. 19, 2013**

(30) **Foreign Application Priority Data**

Dec. 21, 2012 (EP) 002158501-0010

(51) **LOC (10) Cl.** **08-01**

(52) **U.S. Cl.**
USPC **D8/8**

(58) **Field of Classification Search**
CPC . A01D 34/416; A01D 34/4166; A01D 34/84;
A01D 34/90; A01D 34/4167
USPC D8/7-9; D15/17, 1; 30/276, 208-210,
30/228, 282-383; 56/12.7, 233-234
See application file for complete search history.

(56) **References Cited**

U.S. PATENT DOCUMENTS

4,916,886 A * 4/1990 Nakamura et al. 56/12.7
D355,198 S * 2/1995 Kikuchi D15/1
D355,818 S * 2/1995 Nakadachi D8/8
5,540,291 A * 7/1996 Coleman 173/170

D474,947 S * 5/2003 Holmdahl et al. D8/8
D510,512 S * 10/2005 Robson D8/8
D625,160 S * 10/2010 Misaki D8/8
8,098,036 B2 * 1/2012 Matsunaga et al. 318/446
8,127,455 B2 * 3/2012 Wenckel et al. 30/276
D675,074 S * 1/2013 Baxter D8/8
8,350,512 B2 * 1/2013 Matsunaga et al. 318/446
8,549,758 B2 * 10/2013 Ito et al. 30/276
8,573,323 B2 * 11/2013 Muller et al. 173/217

* cited by examiner

Primary Examiner — Sheryl Lane

(74) *Attorney, Agent, or Firm* — McGuireWoods LLP

(57) **CLAIM**

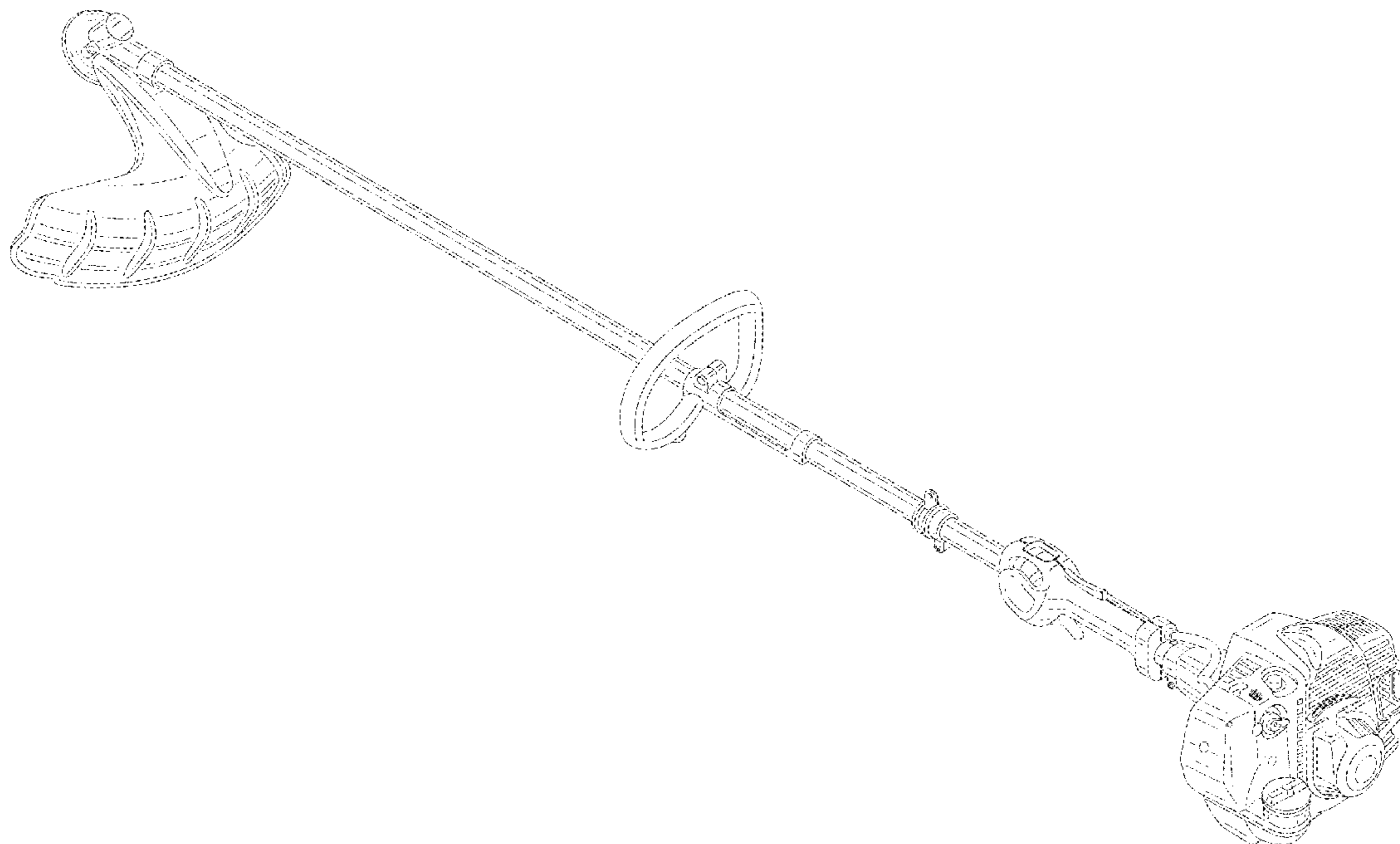
I claim the ornamental design for a brush cutter with loop handle, as shown and described.

DESCRIPTION

FIG. 1 is a right-rear perspective view of the brush cutter with loop handle;
FIG. 2 is a front view of the brush cutter with loop handle shown in FIG. 1;
FIG. 3 is a rear view of the brush cutter with loop handle shown in FIG. 1;
FIG. 4 is a left side view of the brush cutter with loop handle shown in FIG. 1;
FIG. 5 is a right side view of the brush cutter with loop handle shown in FIG. 1;
FIG. 6 is a top view of the brush cutter with loop handle shown in FIG. 1; and,
FIG. 7 is a bottom view of the brush cutter with loop handle shown in FIG. 1.

The broken lines represent portions of the brush cutter and form no part of the claimed design.

1 Claim, 7 Drawing Sheets



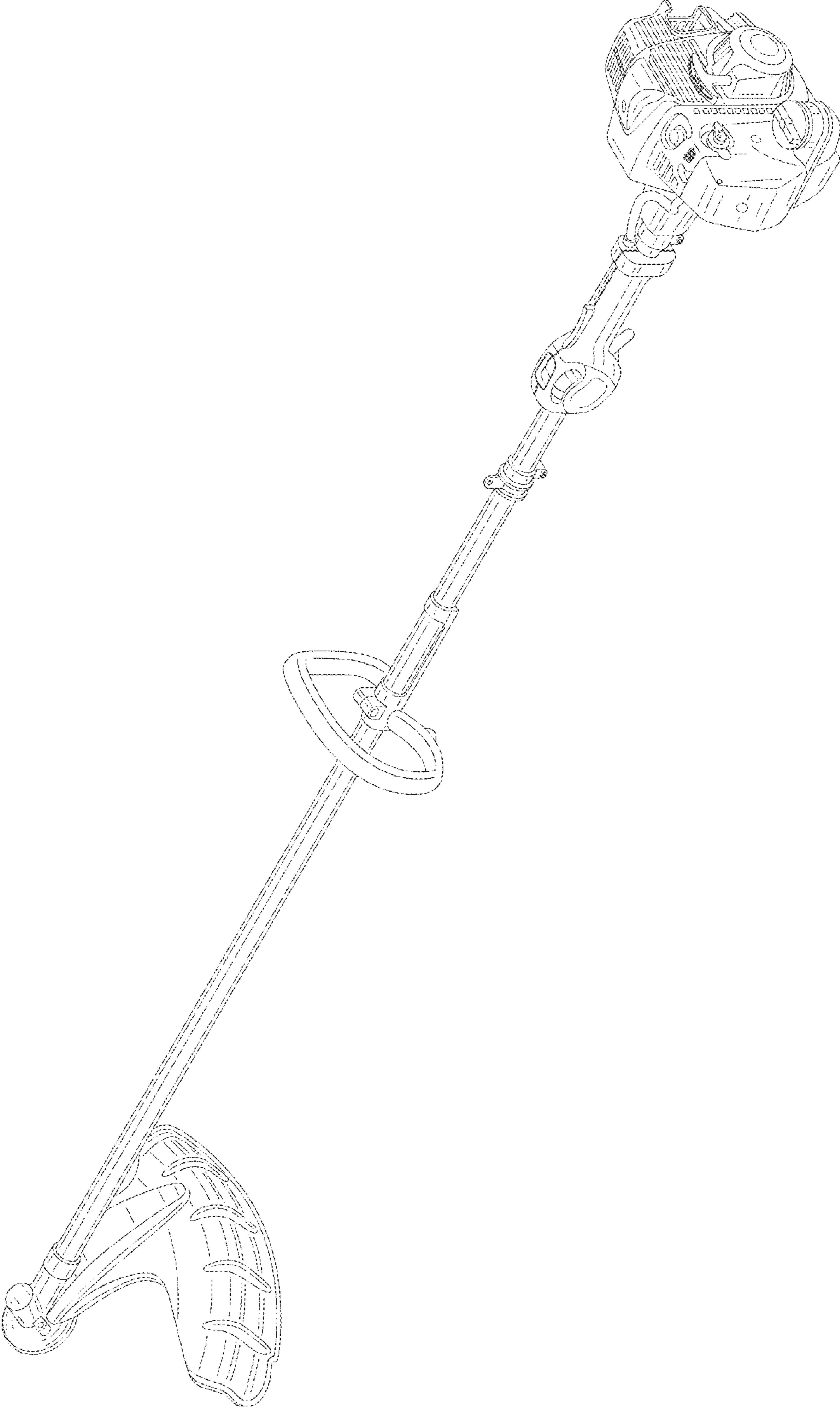


FIG. 1

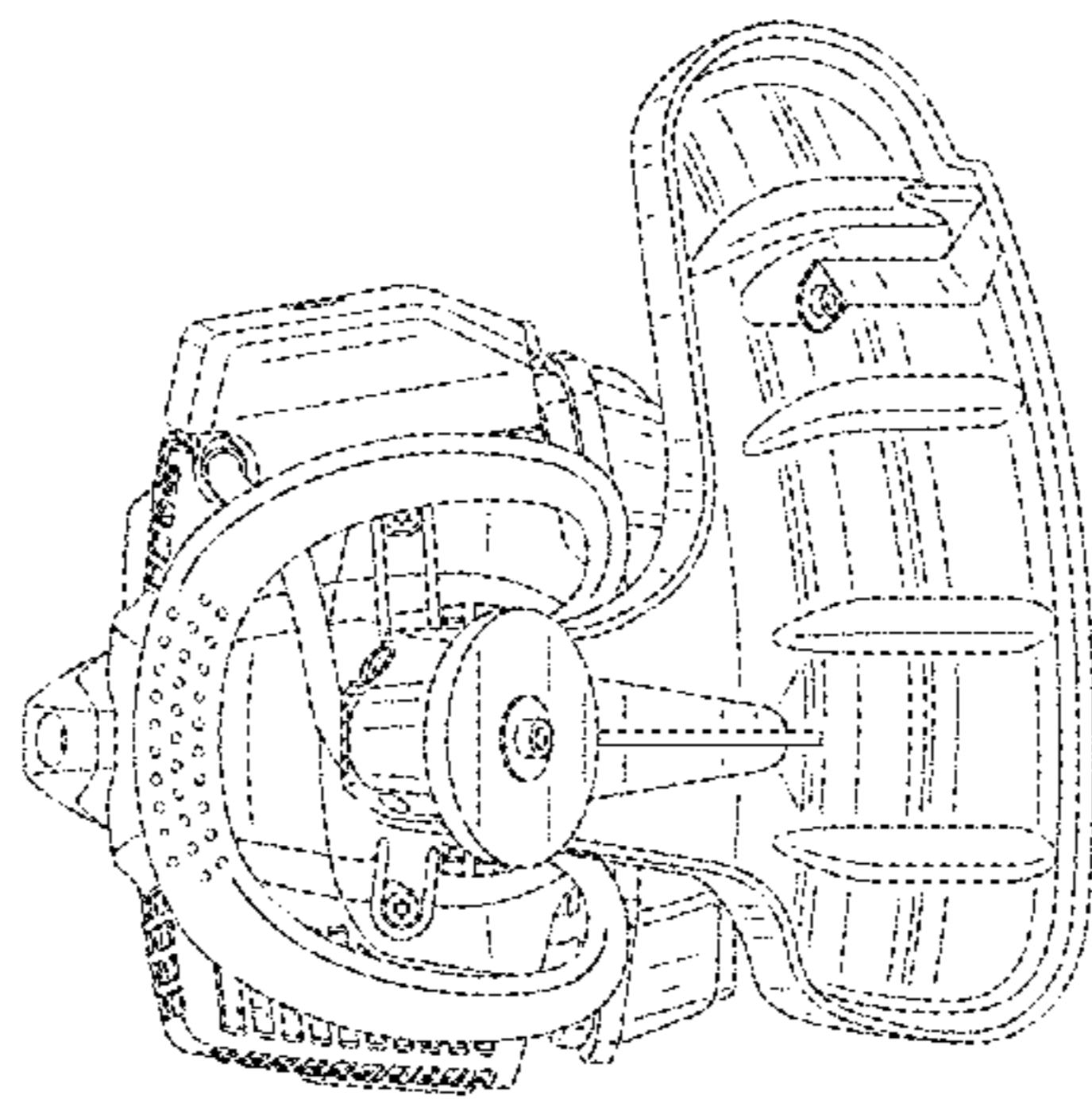


FIG. 2

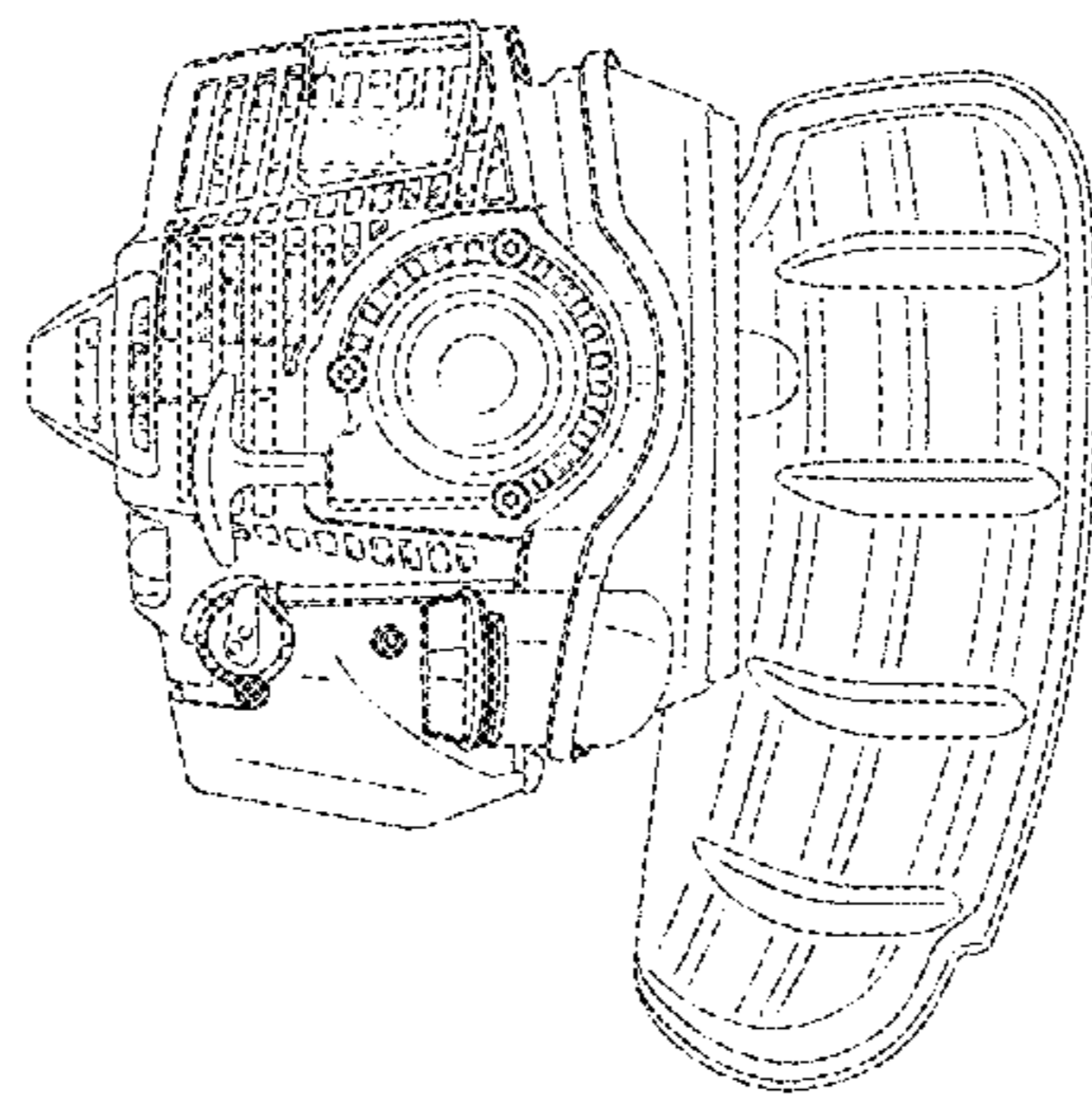


FIG. 3

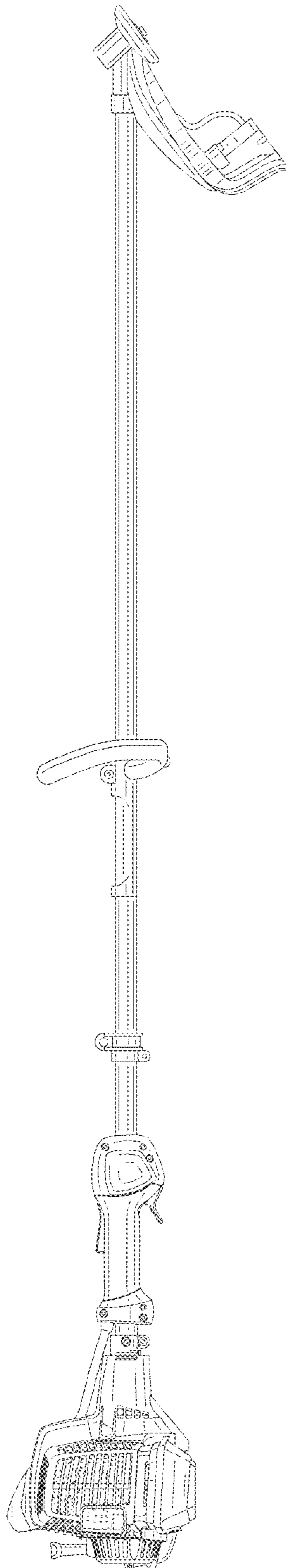


FIG. 4

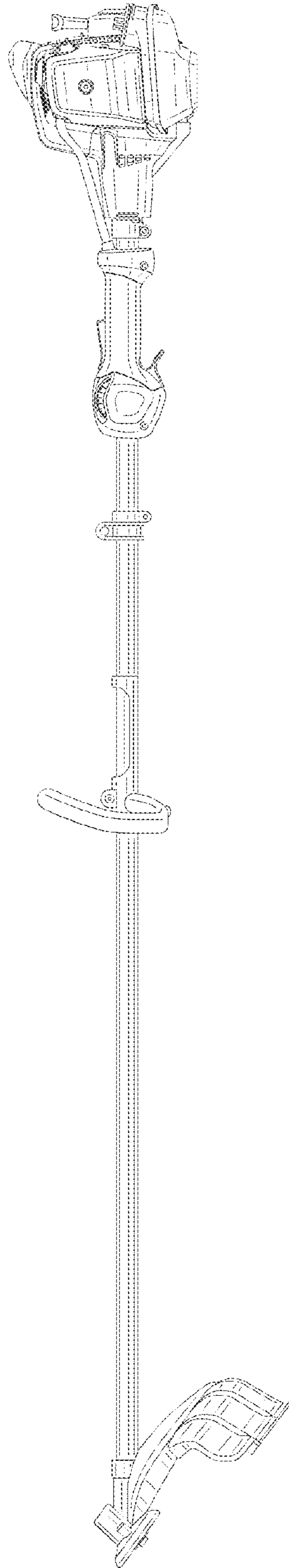


FIG. 5

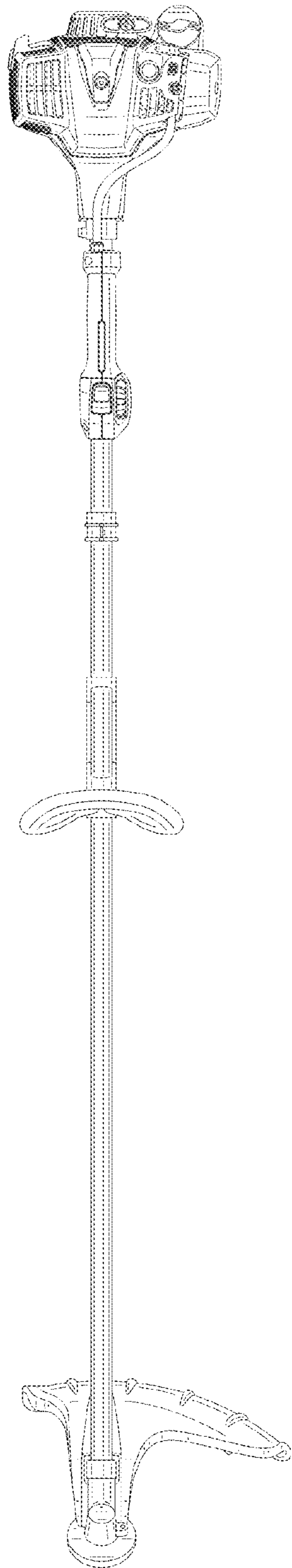


FIG. 6

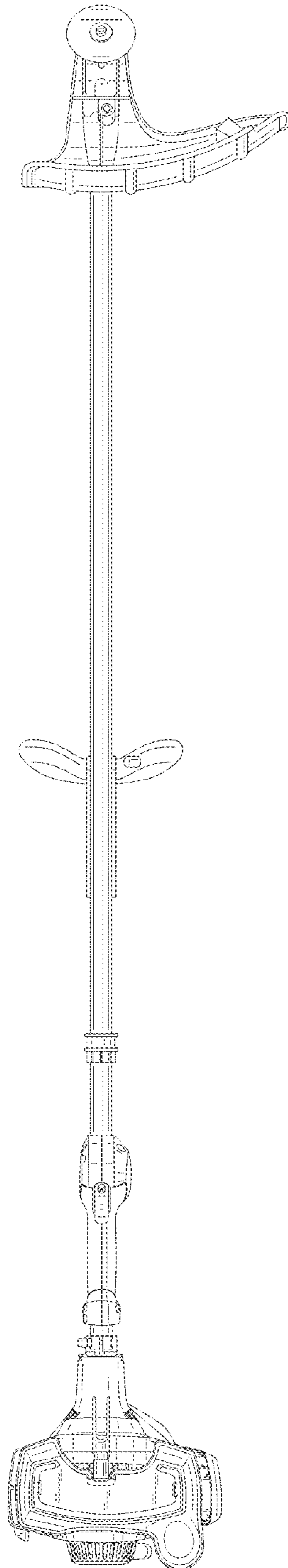


FIG. 7

UNITED STATES PATENT AND TRADEMARK OFFICE
CERTIFICATE OF CORRECTION

PATENT NO. : D709,743 S
APPLICATION NO. : 29/452686
DATED : July 29, 2014
INVENTOR(S) : Tinius

Page 1 of 9

It is certified that error appears in the above-identified patent and that said Letters Patent is hereby corrected as shown below:

Please delete Patent D709743 in its entirety and insert Patent D709743 in its entirety as shown on the attached pages

Signed and Sealed this
Fourth Day of August, 2015



Michelle K. Lee
Director of the United States Patent and Trademark Office

(12) **United States Design Patent**
Tinius

(10) **Patent No.:** **US D709,743 S**
 (45) **Date of Patent:** **** Jul. 29, 2014**

(54) **BRUSH CUTTER WITH LOOP HANDLE**

(71) Applicant: **Andreas Stihl AG & Co. KG,**
 Waiblingen (DE)

(72) Inventor: **Michael Tinius, Ulm (DE)**

(73) Assignee: **Andreas Stihl AG & Co. KG,**
 Waiblingen (DE)

(**) Term: **14 Years**

(21) Appl. No.: **29/452,686**

(22) Filed: **Apr. 19, 2013**

(30) **Foreign Application Priority Data**

Dec. 21, 2012 (EP) 002158501-0010

(51) **LOC (10) Cl.** **08-01**

(52) **U.S. Cl.**
 USPC **D8/8**

(58) **Field of Classification Search**
 CPC . A01D 34/416; A01D 34/4166; A01D 34/84;
 A01D 34/90; A01D 34/4167
 USPC D8/7-9; D15/17, 1; 30/276, 208-210,
 30/228, 282-383; 56/12.7, 233-234
 See application file for complete search history.

(56) **References Cited**

U.S. PATENT DOCUMENTS

4,916,886 A * 4/1990 Nakamura et al. 56/12.7
 D355,198 S * 2/1995 Kikuchi D15/1
 D355,818 S * 2/1995 Nakadaichi D8/8
 5,540,291 A * 7/1996 Coleman 173/170

D474,947 S * 5/2003 Holmdahl et al. D8/8
 D510,512 S * 10/2005 Robson D8/8
 D625,160 S * 10/2010 Misaki D8/8
 8,098,036 B2 * 1/2012 Matsunaga et al. 318/446
 8,127,455 B2 * 3/2012 Wenckel et al. 30/276
 D675,074 S * 1/2013 Baxter D8/8
 8,350,512 B2 * 1/2013 Matsunaga et al. 318/446
 8,549,758 B2 * 10/2013 Ito et al. 30/276
 8,573,323 B2 * 11/2013 Muller et al. 173/217

* cited by examiner

Primary Examiner — Sheryl Lane
 (74) *Attorney, Agent, or Firm* — McGuireWoods LLP

(57) **CLAIM**

I claim the ornamental design for a brush cutter with loop handle, as shown and described.

DESCRIPTION

FIG. 1 is a right-rear perspective view of the brush cutter with loop handle;
 FIG. 2 is a front view of the brush cutter with loop handle shown in FIG. 1;
 FIG. 3 is a rear view of the brush cutter with loop handle shown in FIG. 1;
 FIG. 4 is a left side view of the brush cutter with loop handle shown in FIG. 1;
 FIG. 5 is a right side view of the brush cutter with loop handle shown in FIG. 1;
 FIG. 6 is a top view of the brush cutter with loop handle shown in FIG. 1; and,
 FIG. 7 is a bottom view of the brush cutter with loop handle shown in FIG. 1.
 The broken lines represent portions of the brush cutter and form no part of the claimed design.

1 Claim, 7 Drawing Sheets

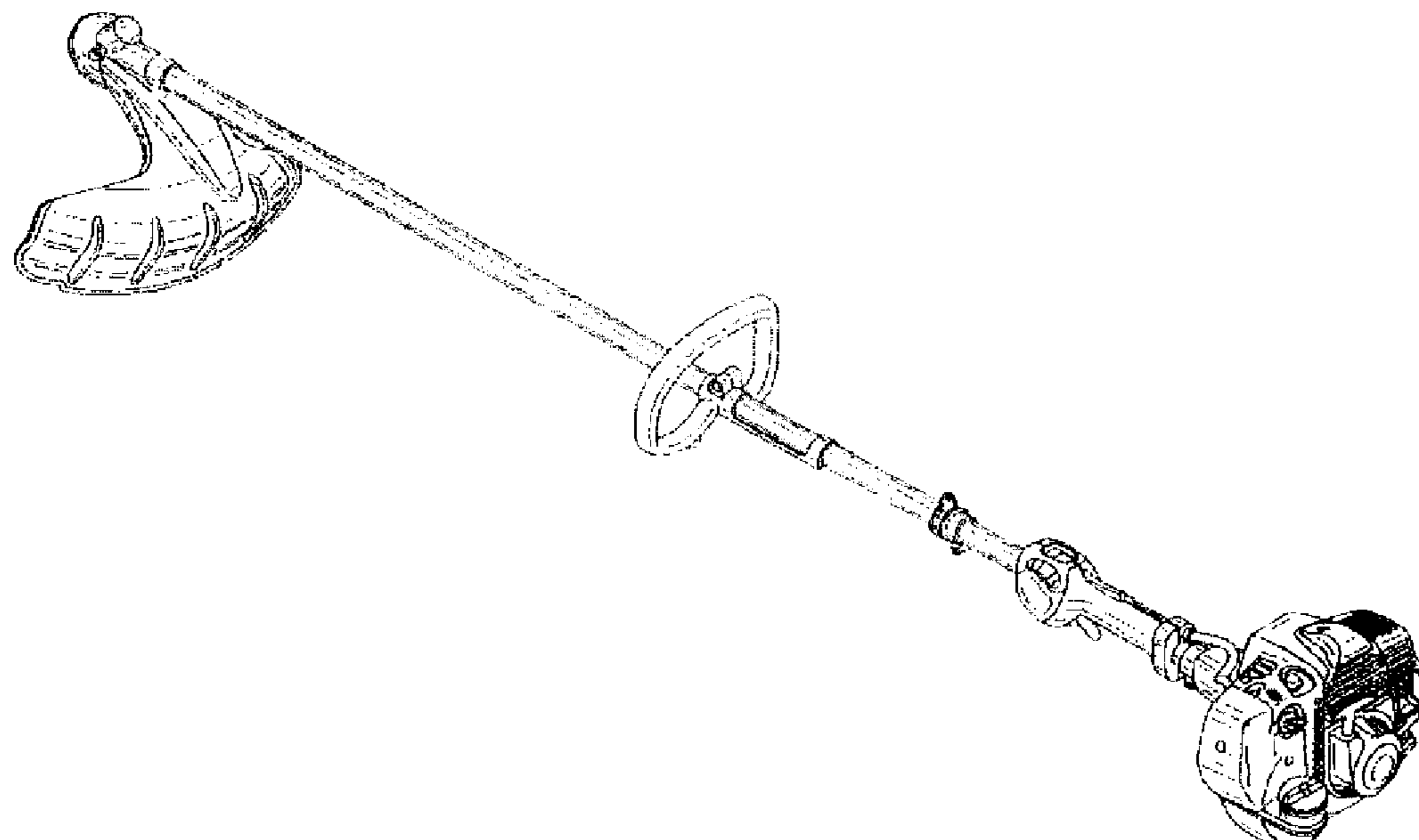




FIG. 1

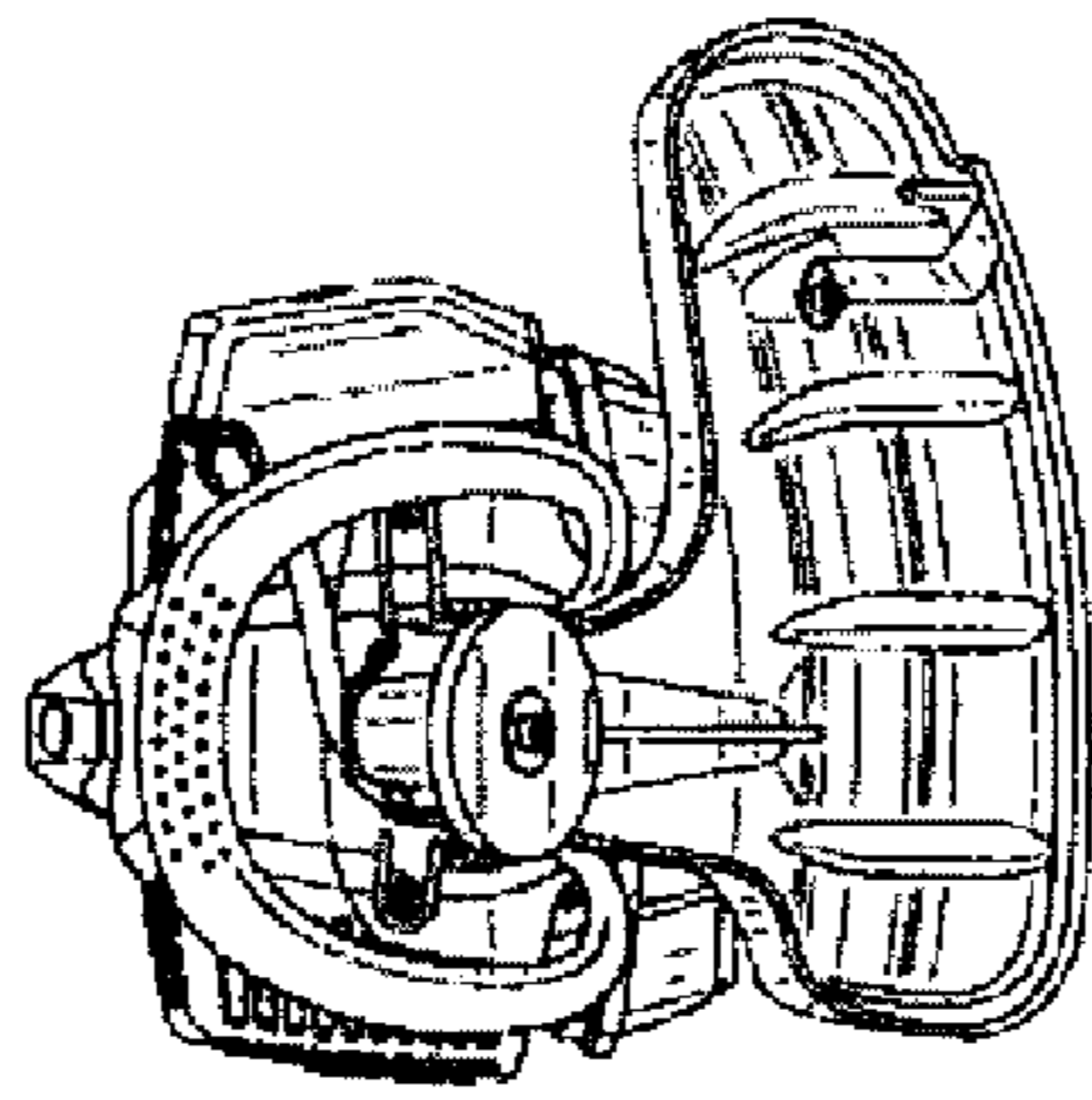


FIG. 2

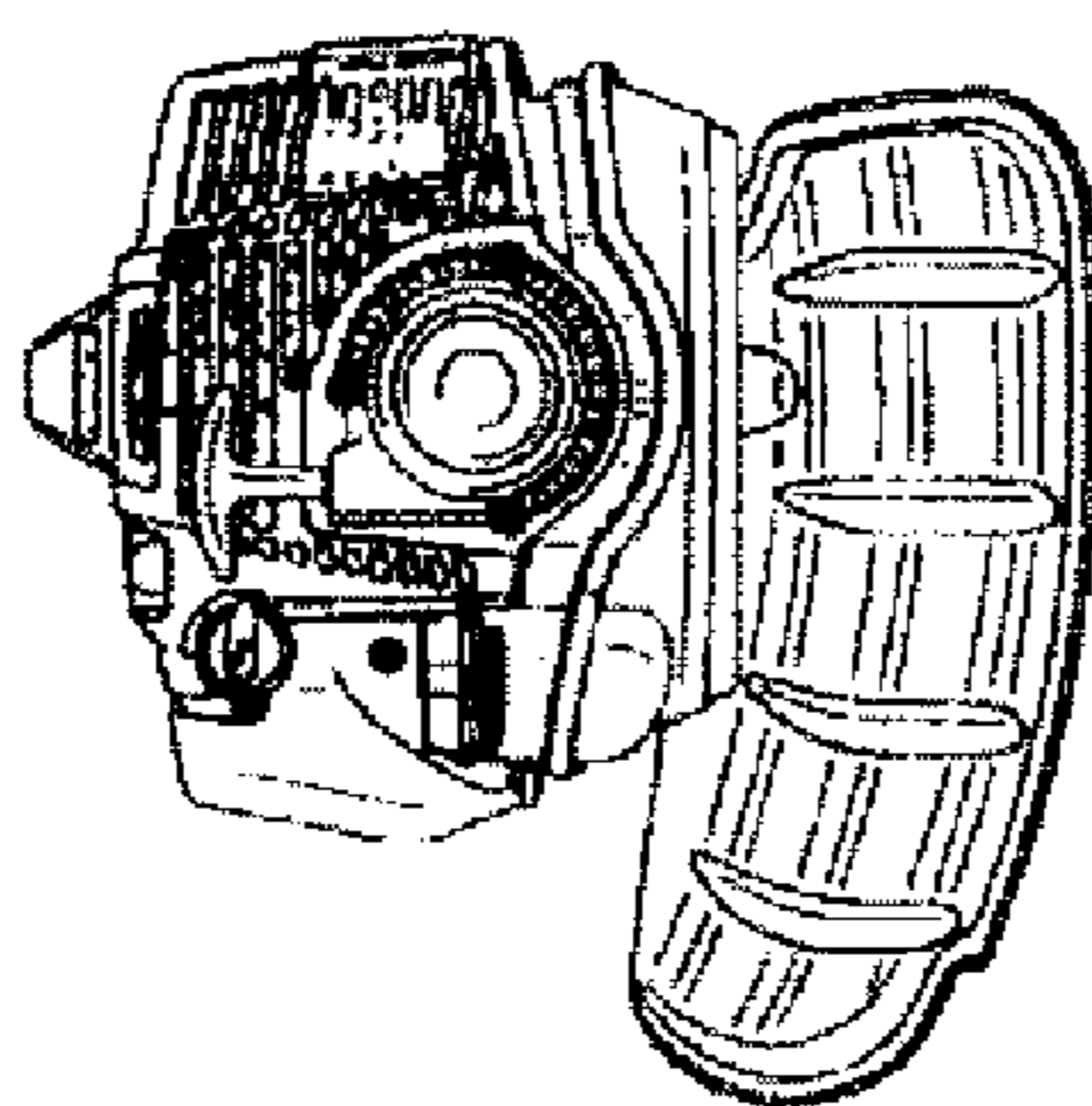


FIG. 3

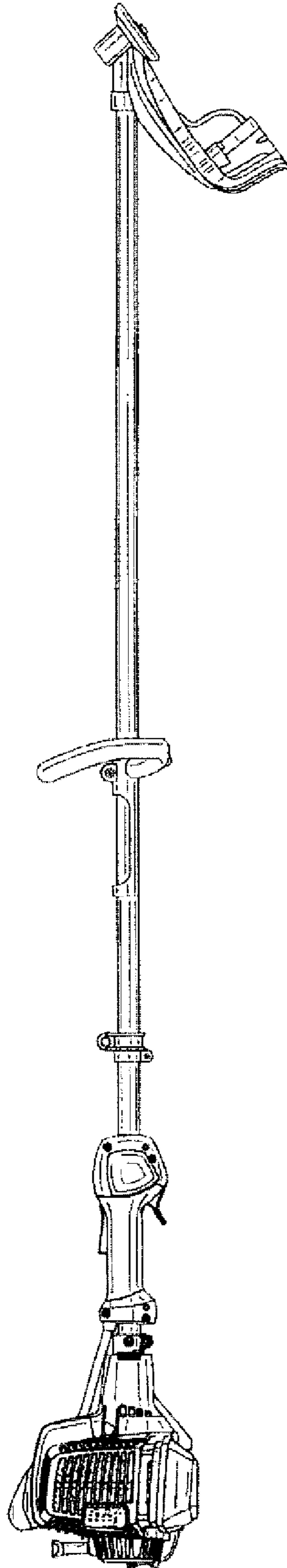


FIG. 4

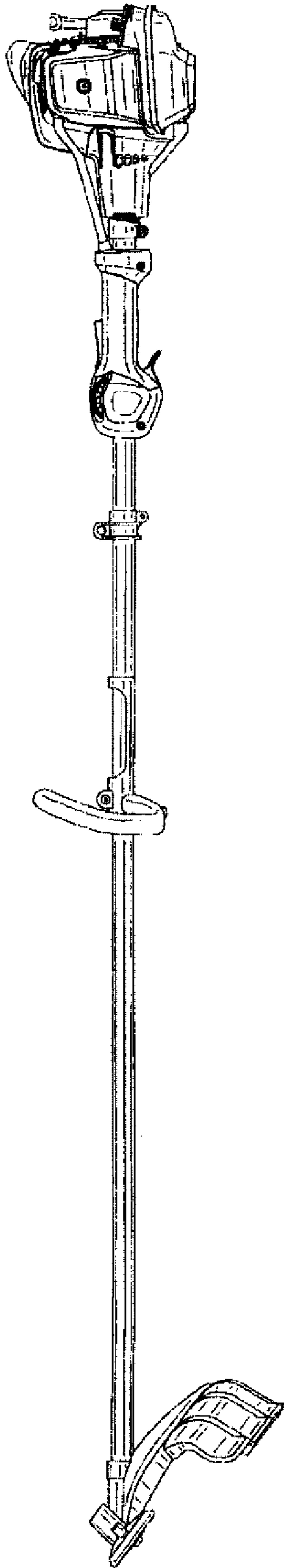


FIG. 5

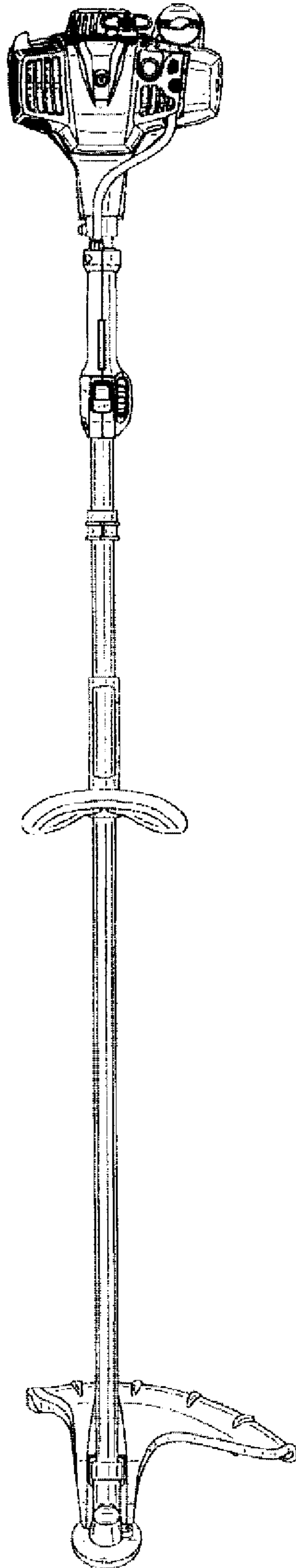


FIG. 6

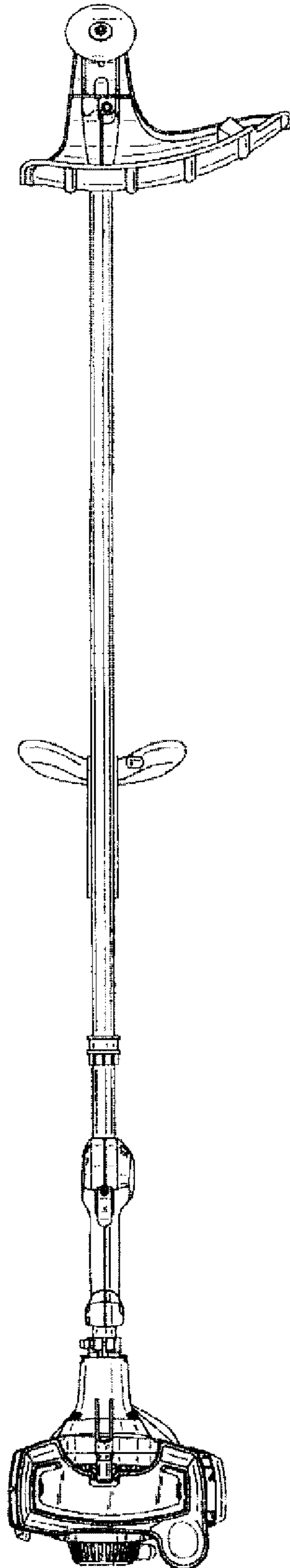


FIG. 7