



US00D709742S

(12) **United States Design Patent**
Luedtke

(10) **Patent No.:** **US D709,742 S**
(45) **Date of Patent:** **** Jul. 29, 2014**

(54) **RECIPROCATING TRIMMER HANDLE**

D650,643 S * 12/2011 Aoki et al. D8/8
D661,557 S * 6/2012 Sweeney D8/8
D678,737 S * 3/2013 Yamamoto et al. D8/8

(71) Applicant: **Blount, Inc.**, Portland, OR (US)

* cited by examiner

(72) Inventor: **Lance Luedtke**, Vancouver, WA (US)

Primary Examiner — Sheryl Lane

(73) Assignee: **Blount, Inc.**, Portland, OR (US)

(74) *Attorney, Agent, or Firm* — Schwabe Williamson & Wyatt

(**) Term: **14 Years**

(21) Appl. No.: **29/445,802**

(57) **CLAIM**

I claim the ornamental design for the reciprocating trimmer handle, as shown and described.

(22) Filed: **Feb. 15, 2013**

(51) **LOC (10) Cl.** **08-01**

DESCRIPTION

(52) **U.S. Cl.**

USPC **D8/8; D8/107**

(58) **Field of Classification Search**

CPC A01G 2003/04; A01G 3/04; A01G 3/0435

USPC D8/7-9; D15/17, 1; 30/276, 208-210,

30/228, 282-383; 56/12.7, 233-234

See application file for complete search history.

FIG. 1 is a left perspective view of a reciprocating trimmer handle showing my new design;
FIG. 2 is a right perspective view thereof;
FIG. 3 is a rear view thereof;
FIG. 4 is a left-side view thereof;
FIG. 5 is a right-side view thereof;
FIG. 6 is a front view thereof;
FIG. 7 is a top view thereof; and,
FIG. 8 is a bottom view thereof.

(56) **References Cited**

U.S. PATENT DOCUMENTS

5,150,523 A * 9/1992 McCurry 30/228

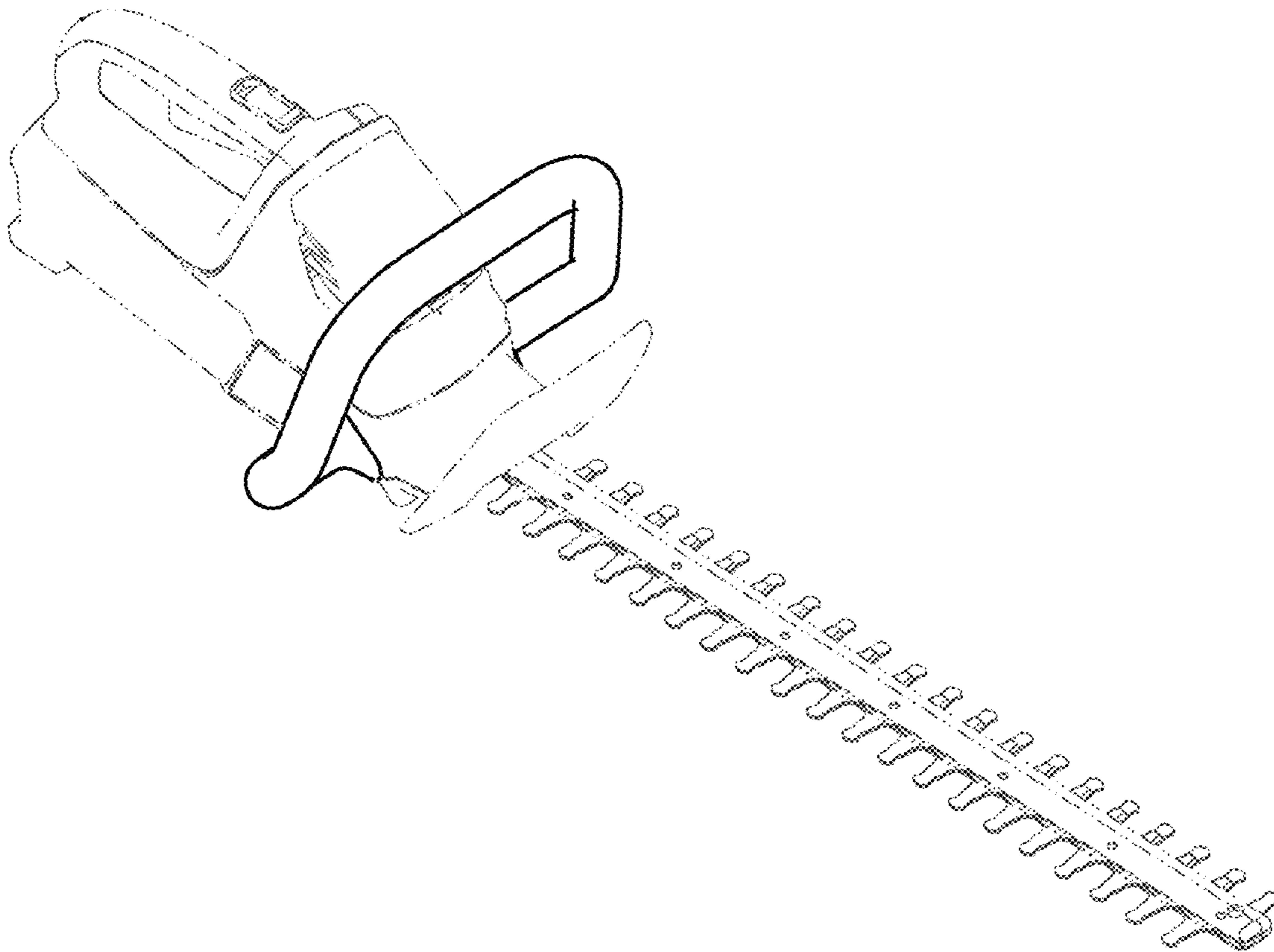
D354,891 S * 1/1995 McJunkin et al. D8/8

D582,225 S * 12/2008 Bochmann et al. D8/8

D623,909 S * 9/2010 Tate et al. D8/8

The dashed lines, and lighter gray lines of the blades, are included for illustrating environmental structure and form no part of the claimed design.

1 Claim, 8 Drawing Sheets



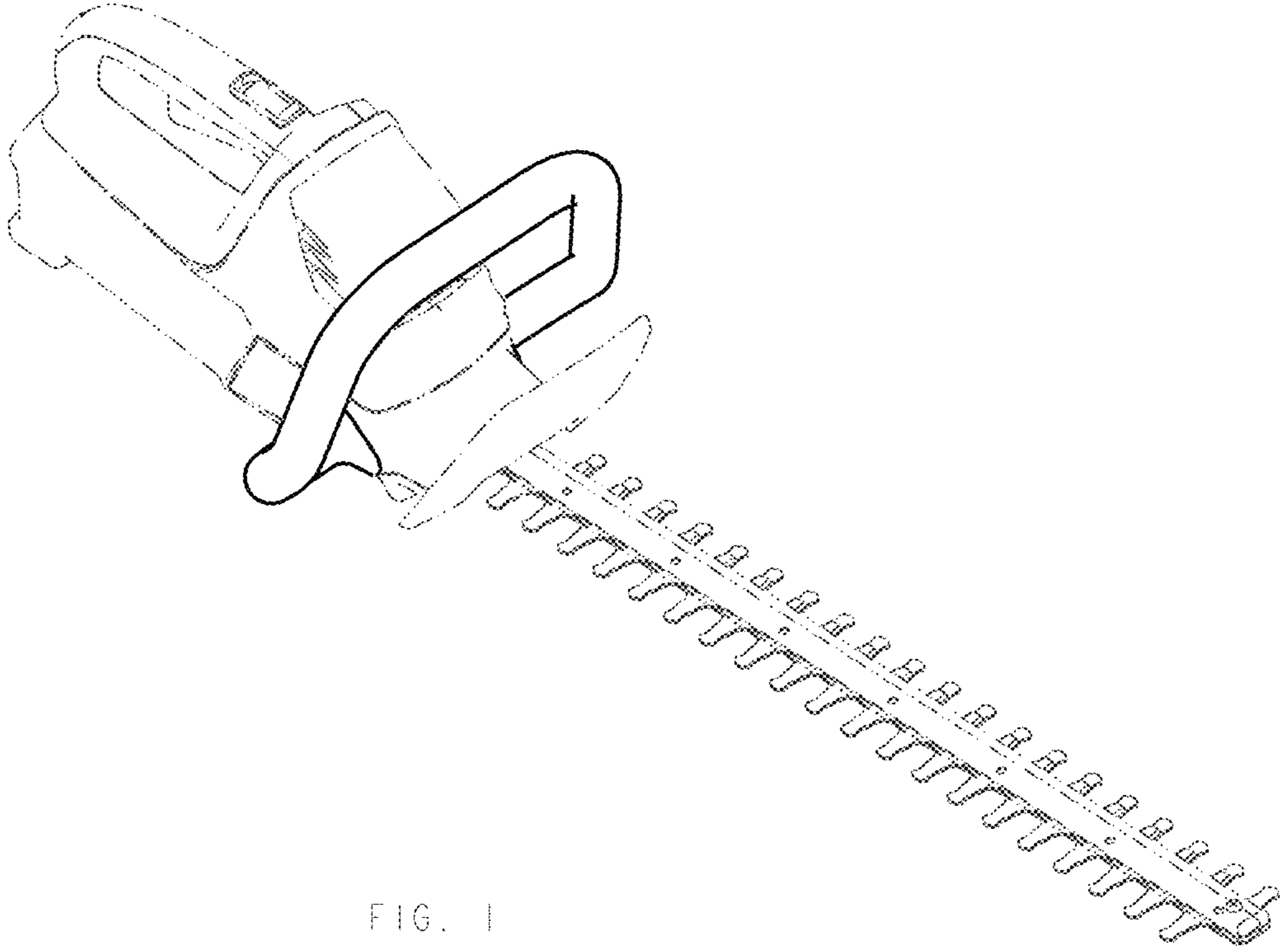


FIG. 1

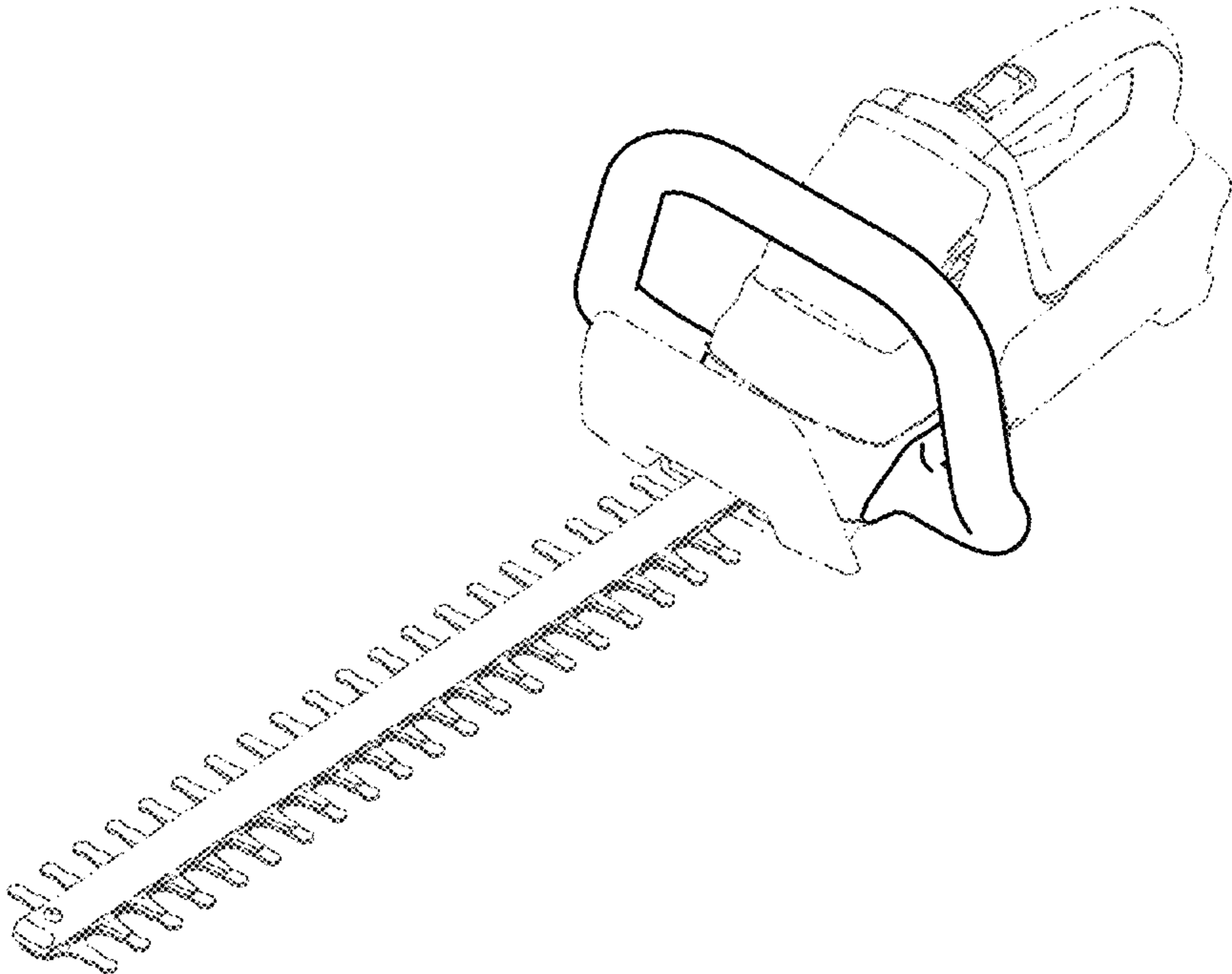


FIG. 2

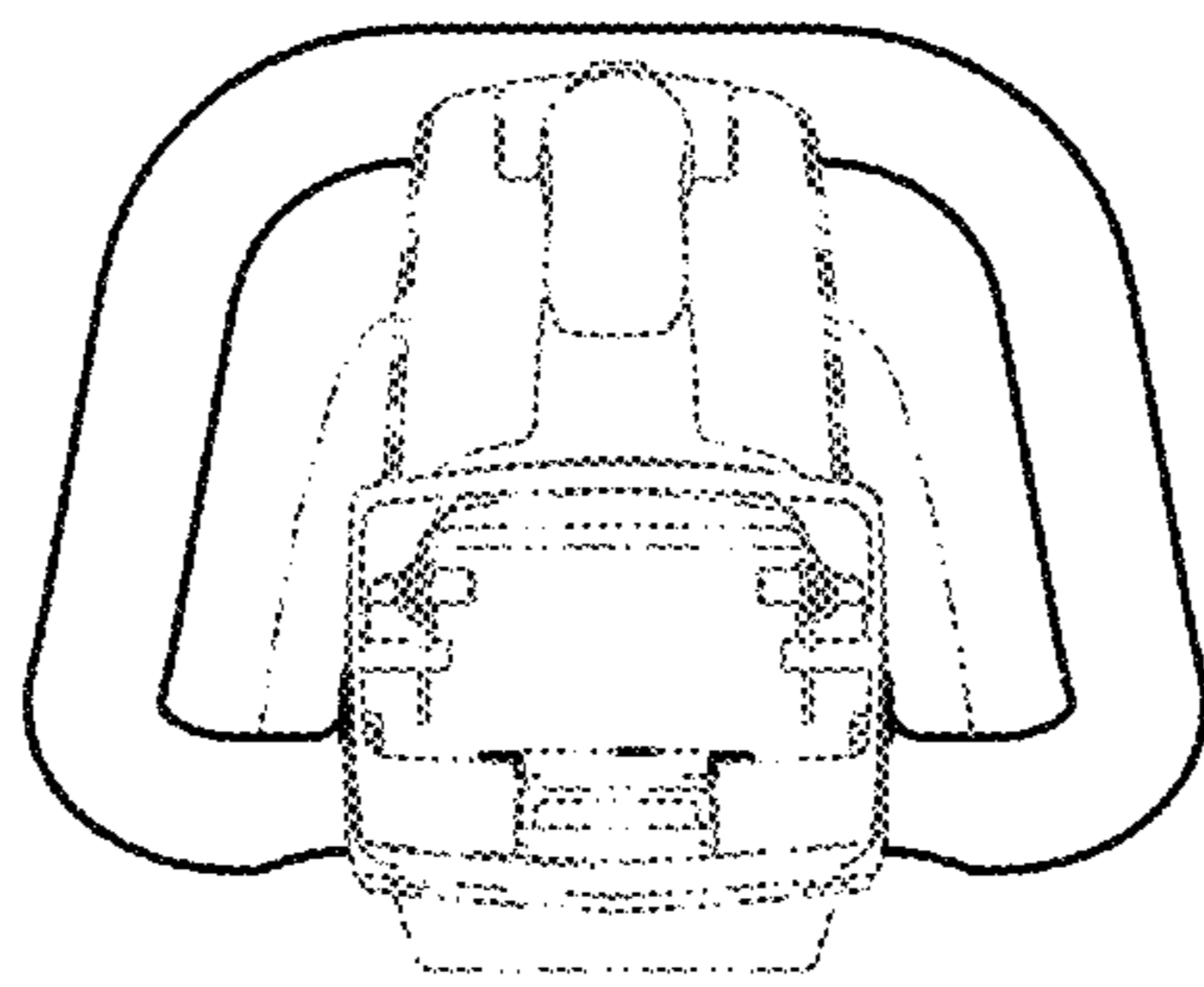


FIG. 3

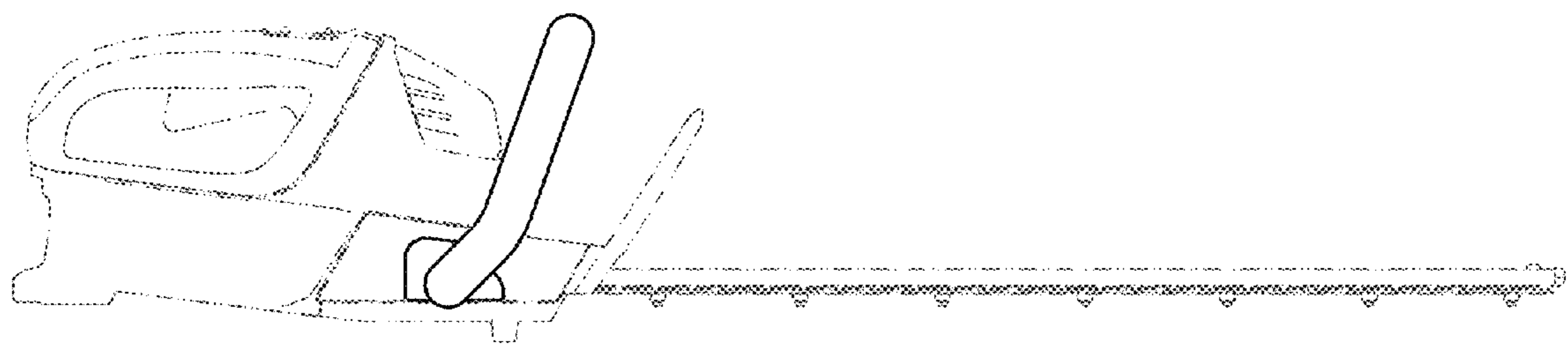


FIG. 4

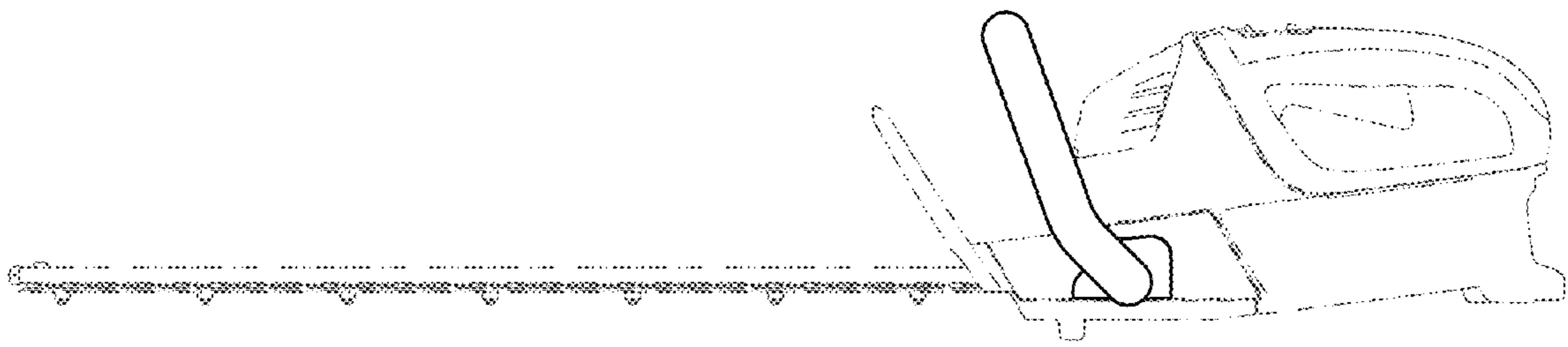


FIG. 5

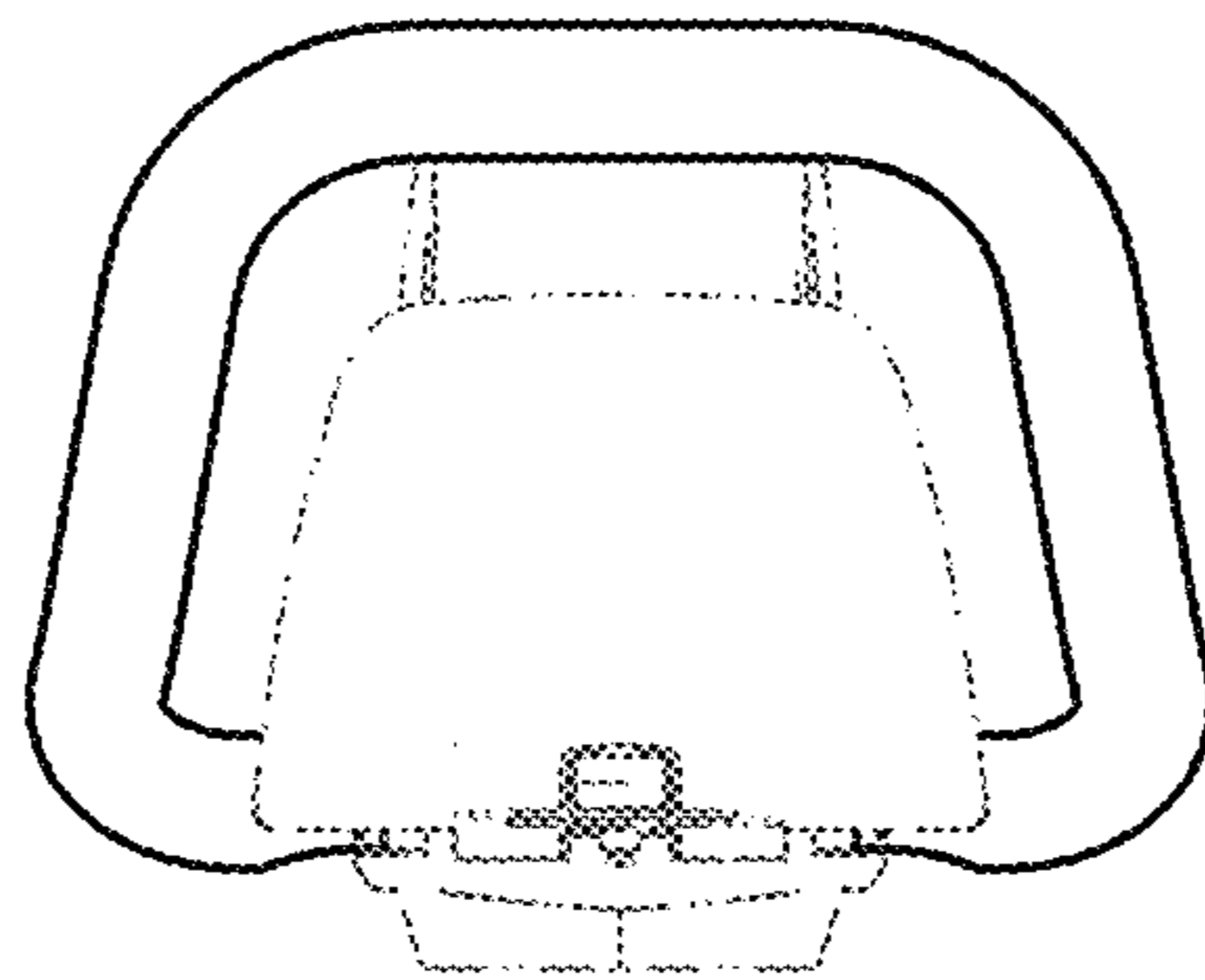


FIG. 6

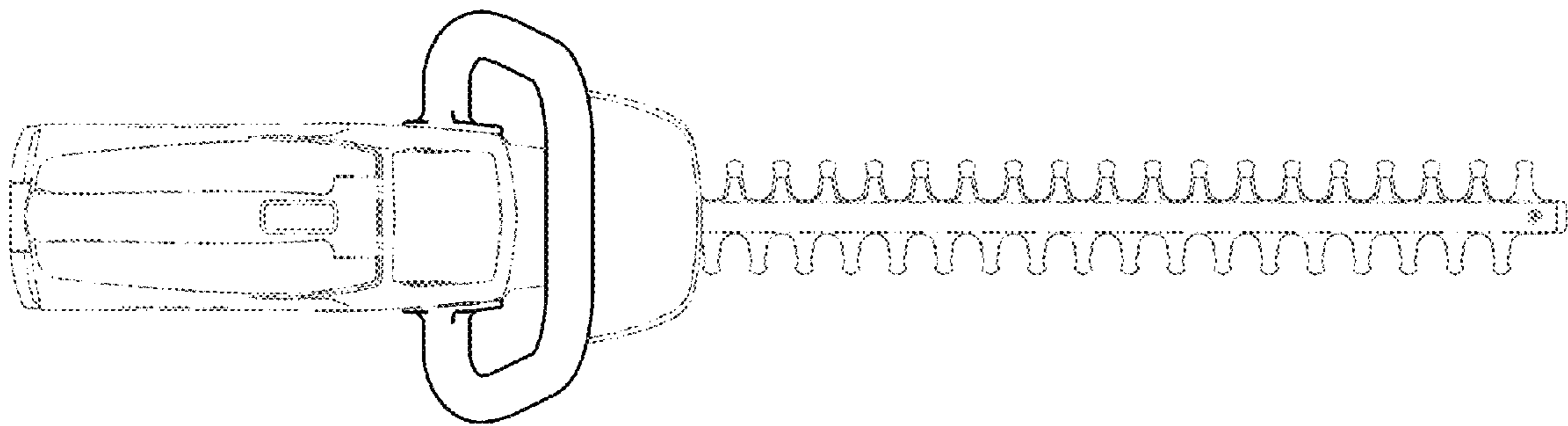


FIG. 7

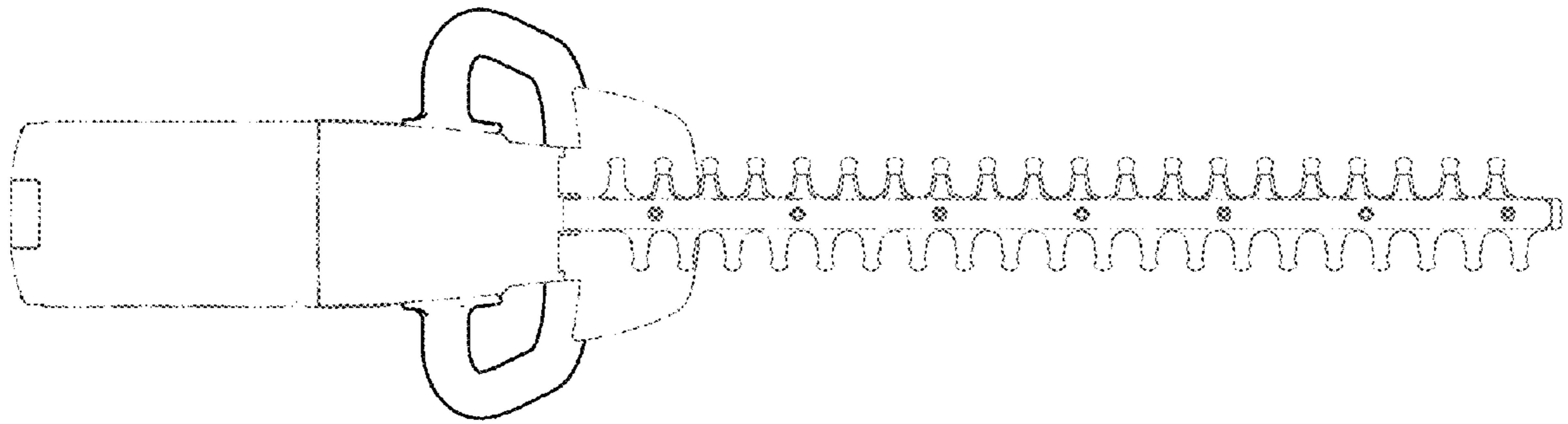


FIG. 8