



US00D709740S

(12) **United States Design Patent**  
**Teal**

(10) **Patent No.:** **US D709,740 S**

(45) **Date of Patent:** **\*\* Jul. 29, 2014**

(54) **WHISK UTENSIL**

(71) Applicant: **Darin Teal**, Salem, OR (US)

(72) Inventor: **Darin Teal**, Salem, OR (US)

(\*\*) Term: **14 Years**

(21) Appl. No.: **29/440,538**

(22) Filed: **Dec. 21, 2012**

(51) **LOC (10) Cl.** ..... **07-02**

(52) **U.S. Cl.**  
USPC ..... **D7/690**

(58) **Field of Classification Search**  
USPC ..... D7/690, 688, 368, 669; D4/130, 136;  
D8/14; 366/129, 130, 342-344;  
416/70 R, 69, 71, 72, 227 R, 7 R, 231 A  
See application file for complete search history.

(56) **References Cited**

U.S. PATENT DOCUMENTS

671,516	A *	4/1901	Hegner	.....	416/72
1,313,211	A *	8/1919	Ryerson	.....	416/70 R
2,092,353	A *	9/1937	Kyseth et al.	.....	416/72
3,991,983	A *	11/1976	Drynan	.....	366/129
D431,113	S *	9/2000	Kwok	.....	D4/136
D445,316	S *	7/2001	Borner	.....	D7/690

6,264,356	B1 *	7/2001	Borner	.....	366/129
D484,756	S *	1/2004	Conigliaro	.....	D7/683
D488,034	S *	4/2004	Overthun et al.	.....	D7/690
D541,600	S *	5/2007	Olsen	.....	D7/690
D599,178	S *	9/2009	Reay	.....	D7/690
2002/0003749	A1 *	1/2002	Browne	.....	366/129

\* cited by examiner

*Primary Examiner* — Terry Wallace

(74) *Attorney, Agent, or Firm* — Stolowitz Ford Cowger LLP

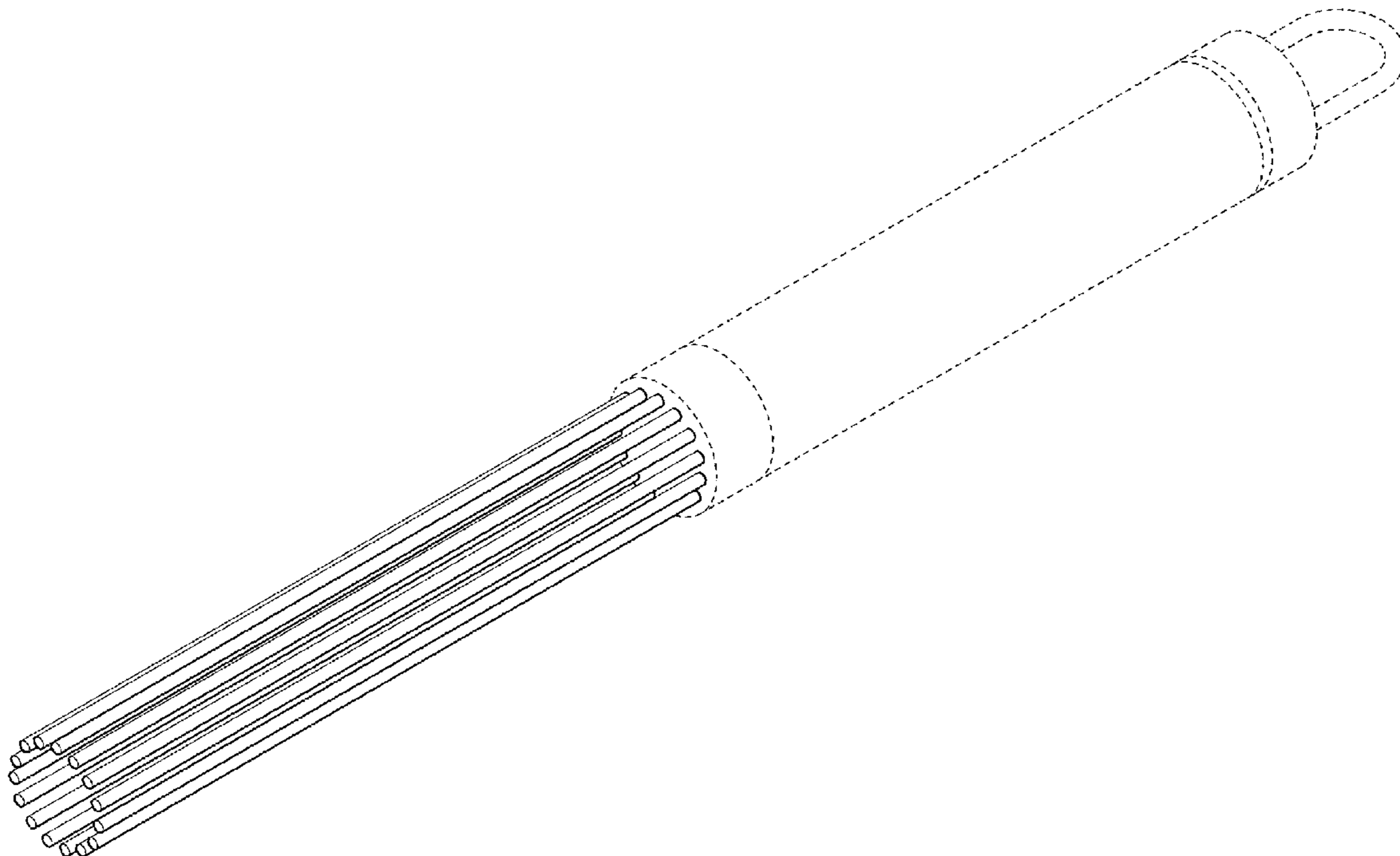
(57) **CLAIM**

The ornamental design for a whisk utensil, as shown and described.

**DESCRIPTION**

FIG. 1 is a perspective view of the whisk utensil;  
FIG. 2 is a left side view of the whisk utensil;  
FIG. 3 is a front side view of the whisk utensil;  
FIG. 4 is a right side view of the whisk utensil;  
FIG. 5 is a back side view of the whisk utensil;  
FIG. 6 is a top view of the whisk utensil; and,  
FIG. 7 is a bottom view of the whisk utensil.  
The broken lines are for illustrative purposes only and form no part of the claimed design.

**1 Claim, 2 Drawing Sheets**



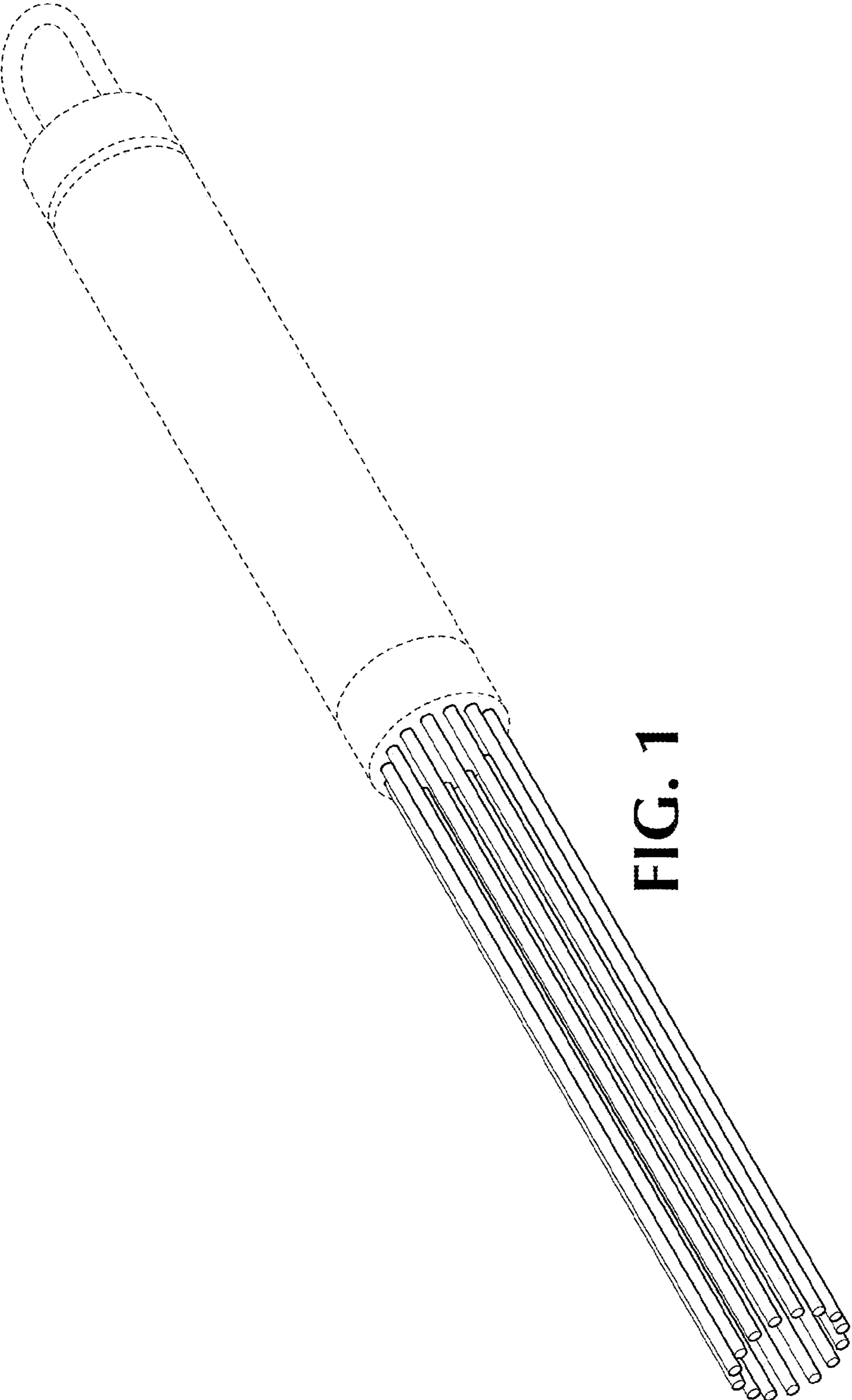
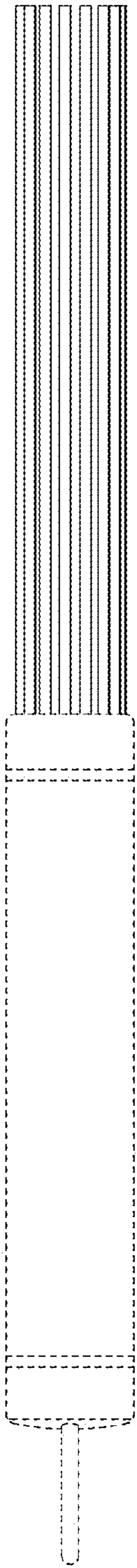
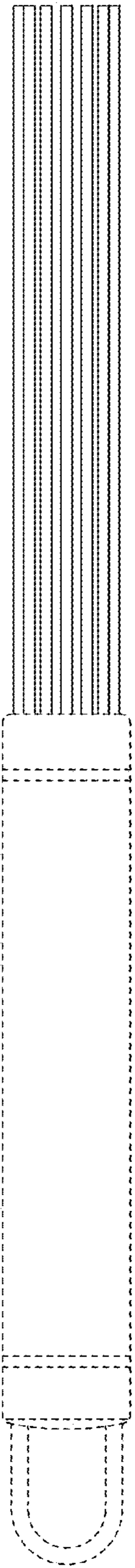


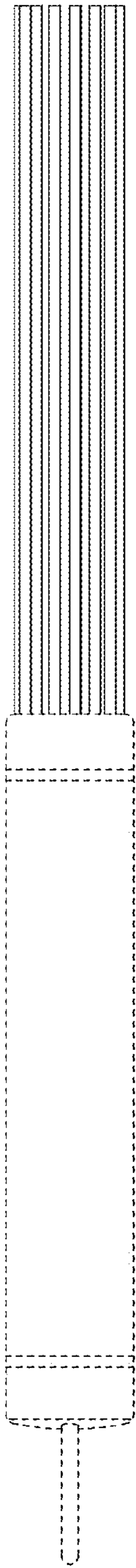
FIG. 1



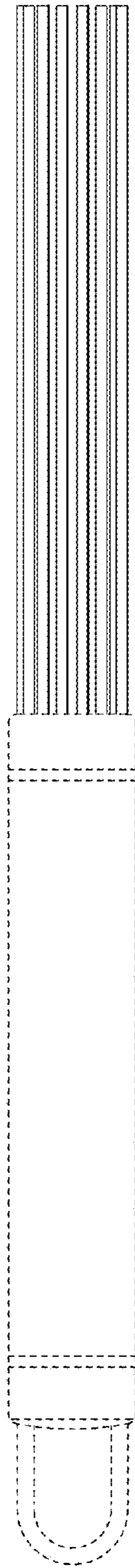
**FIG. 2**



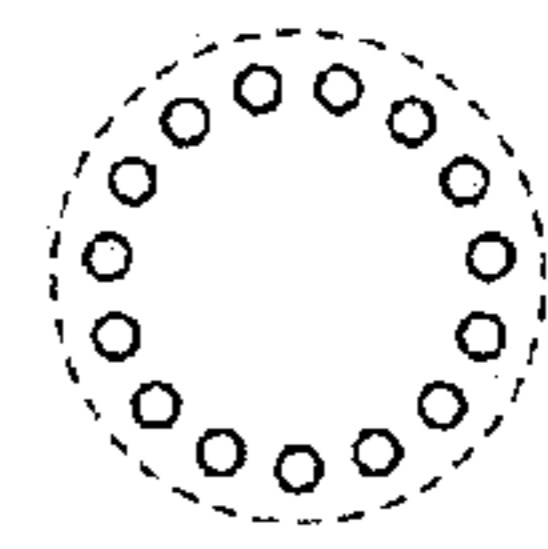
**FIG. 3**



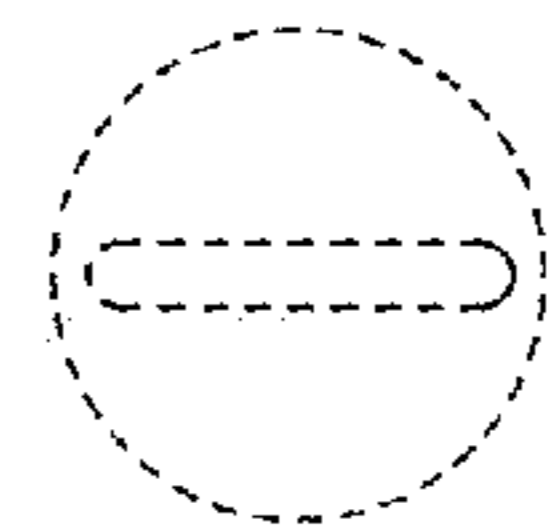
**FIG. 4**



**FIG. 5**



**FIG. 6**



**FIG. 7**